



US00D631275S

(12) **United States Design Patent**  
**Barnes**

(10) **Patent No.:** **US D631,275 S**

(45) **Date of Patent:** **\*\* Jan. 25, 2011**

(54) **CROSS STYLE IDLE END PIN**

(75) Inventor: **Antony Barnes**, Cheshire (GB)

(73) Assignee: **Louver-Lite Limited**, Cheshire (GB)

(\*\*) Term: **14 Years**

(21) Appl. No.: **29/358,061**

(22) Filed: **Mar. 22, 2010**

(51) **LOC (9) Cl.** ..... **06-10**

(52) **U.S. Cl.** ..... **D6/580**

(58) **Field of Classification Search** ..... D6/575,  
D6/576, 578, 579, 580, 581; 160/38, 39,  
160/168.1, 168.1 R, 168.1 V, 173, 173 R,  
160/176.1 R, 176.1 V, 178.1 R, 178.2, 298,  
160/309, 319, 331, 349.1; 318/16, 17, 600  
See application file for complete search history.

(56) **References Cited**

**U.S. PATENT DOCUMENTS**

- 4,323,105 A \* 4/1982 Berman et al. .... 160/309
- D479,080 S \* 9/2003 Damiano ..... D6/580
- D509,092 S \* 9/2005 Allsopp ..... D6/580

- D512,256 S \* 12/2005 Allsopp ..... D6/580
- D518,326 S \* 4/2006 Allsopp ..... D6/580
- D568,083 S \* 5/2008 Chou ..... D6/580
- D617,595 S \* 6/2010 Di Stefano ..... D6/580
- D617,596 S \* 6/2010 Licciardi Di Stefano ..... D6/580
- D617,599 S \* 6/2010 Di Stefano ..... D6/580

\* cited by examiner

*Primary Examiner*—Robert M Spear

*Assistant Examiner*—Barbara B Lohr

(74) *Attorney, Agent, or Firm*—Haugen Law Firm PLLP

(57) **CLAIM**

The ornamental design for a cross style idle end pin, as shown and described.

**DESCRIPTION**

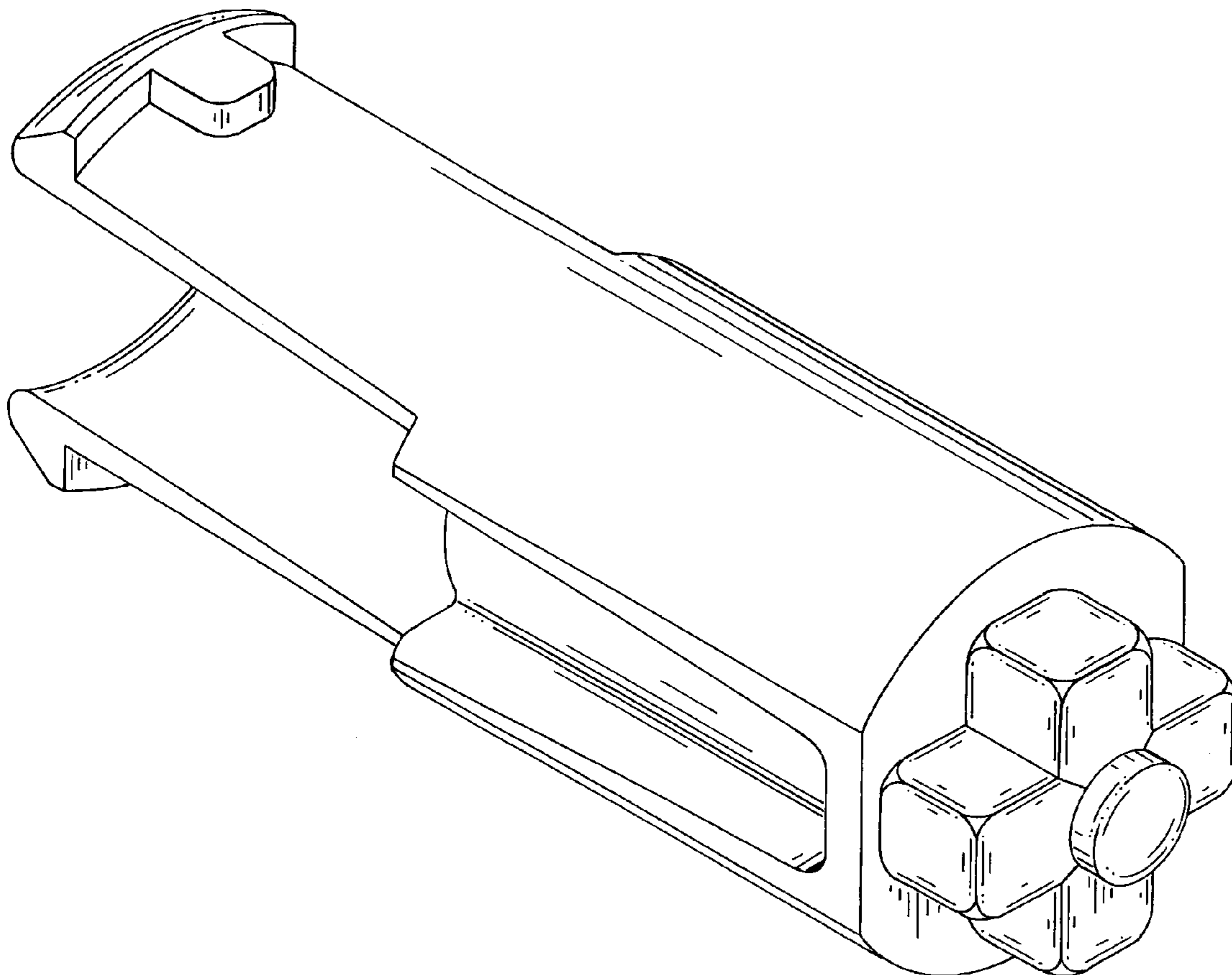
FIG. 1 is a perspective view of the design;

FIG. 2 is a front elevational view of the design;

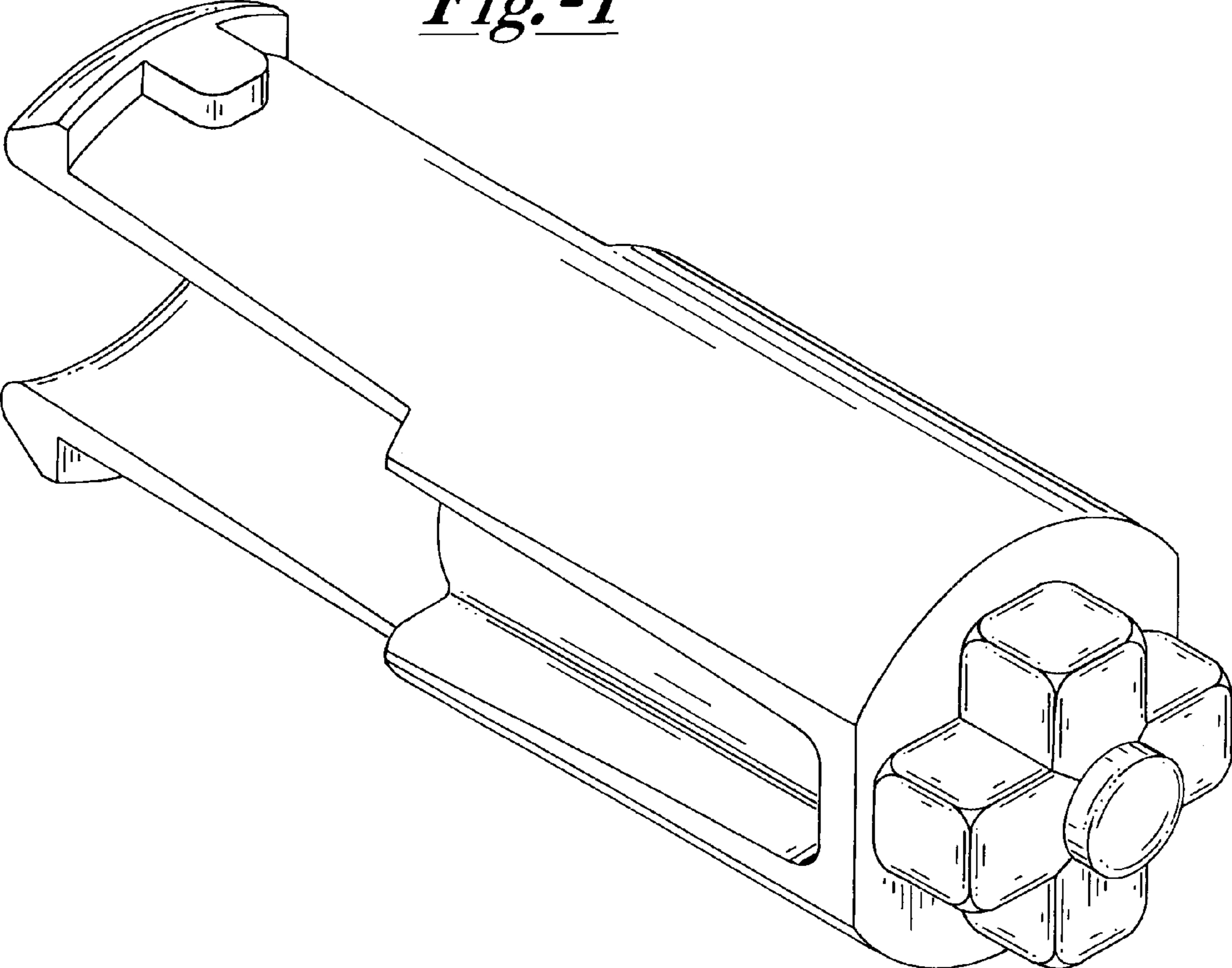
FIG. 3 is a top plan view of the design, with the bottom of the design being identical to the top; and,

FIG. 4 is a first side elevational view of the design, with the second side of the design being identical to the first side.

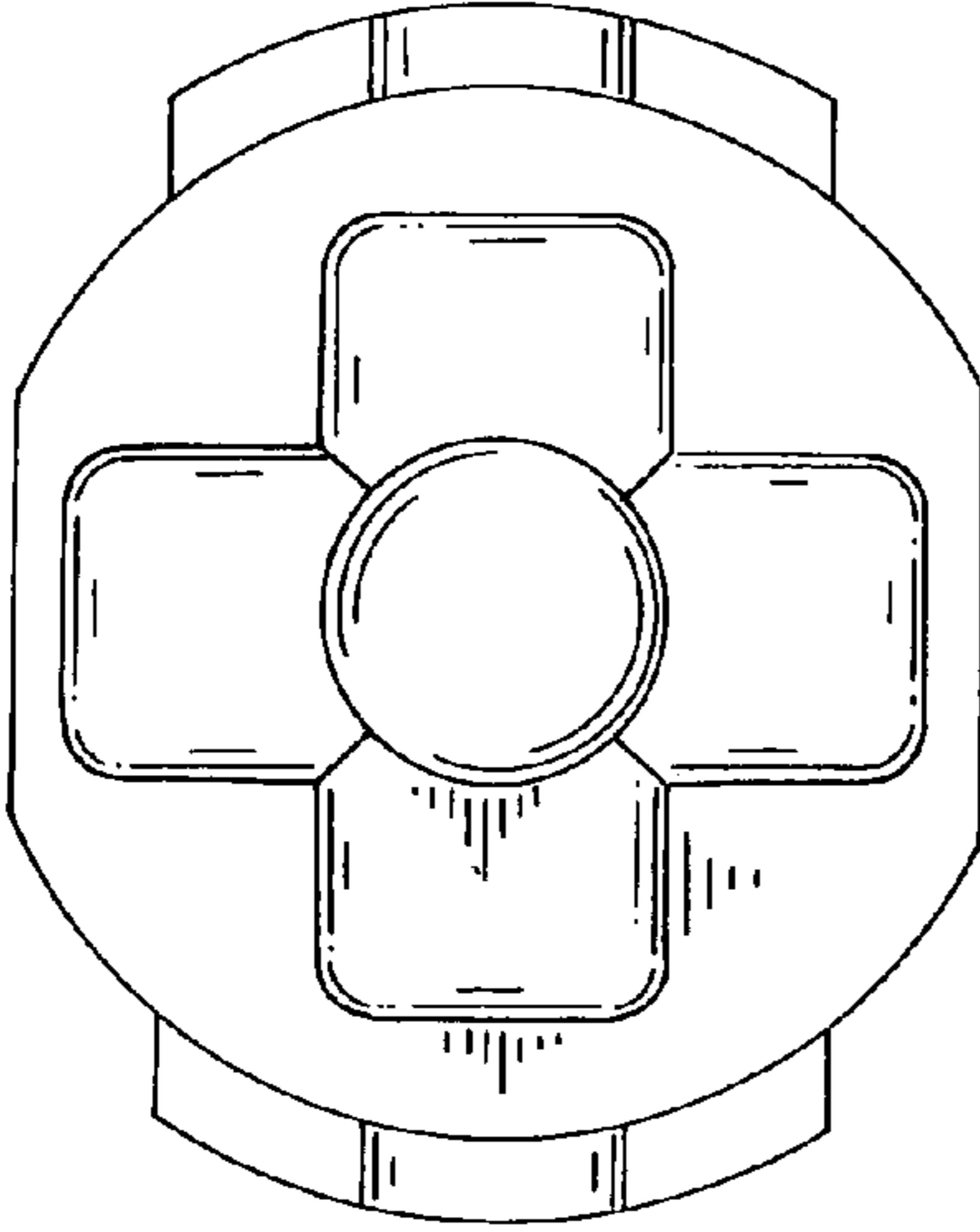
**1 Claim, 3 Drawing Sheets**



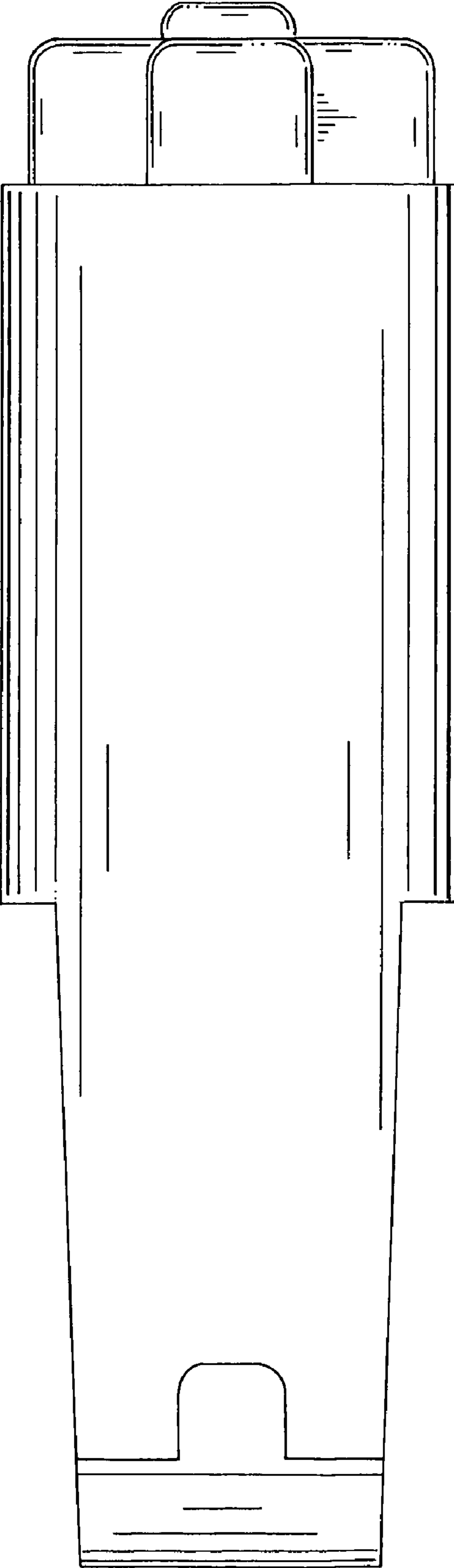
*Fig.-1*



*Fig.-2*



*Fig. -3*



*Fig. - 4*

