



US00D631274S

(12) **United States Design Patent**  
**Yelencich**

(10) **Patent No.:** **US D631,274 S**  
(45) **Date of Patent:** **\*\* Jan. 25, 2011**

(54) **SPORTS EQUIPMENT RACK**

2009/0188819 A1 7/2009 Carney, Jr. et al.

(76) Inventor: **Gina Yelencich**, 427 Mill Creek Rd.,  
Andersonville, TN (US) 37705

\* cited by examiner

*Primary Examiner*—Brian N Vinson  
(74) *Attorney, Agent, or Firm*—Pitts & Brittan, P.C.

(\*\*) Term: **14 Years**

(21) Appl. No.: **29/359,058**

(57) **CLAIM**

(22) Filed: **Apr. 5, 2010**

I claim the ornamental design for a sports equipment rack, as shown and described.

(51) **LOC (9) Cl.** ..... **08-08**

(52) **U.S. Cl.** ..... **D6/552; D6/566; D6/513**

(58) **Field of Classification Search** ..... D3/304,  
D3/306; 206/202, 513, 557; 211/13.1, 41.3,  
211/41.4, 86.01, 88.01, 134, 126.1, 181.1;  
248/302; 220/485, 488; D6/512-514, 524-525,  
D6/566, 552

See application file for complete search history.

**DESCRIPTION**

FIG. 1 is a perspective view of the design of the present invention for a sports equipment rack;

FIG. 2 is a front elevation view of the sports equipment rack of FIG. 1;

FIG. 3 is a rear elevation view of the sports equipment rack of FIG. 1;

FIG. 4 is a left side elevation view of the sports equipment rack of FIG. 1;

FIG. 5 is a right side elevation view of the sports equipment rack of FIG. 1;

FIG. 6 is a top end view of the sports equipment rack of FIG. 1; and,

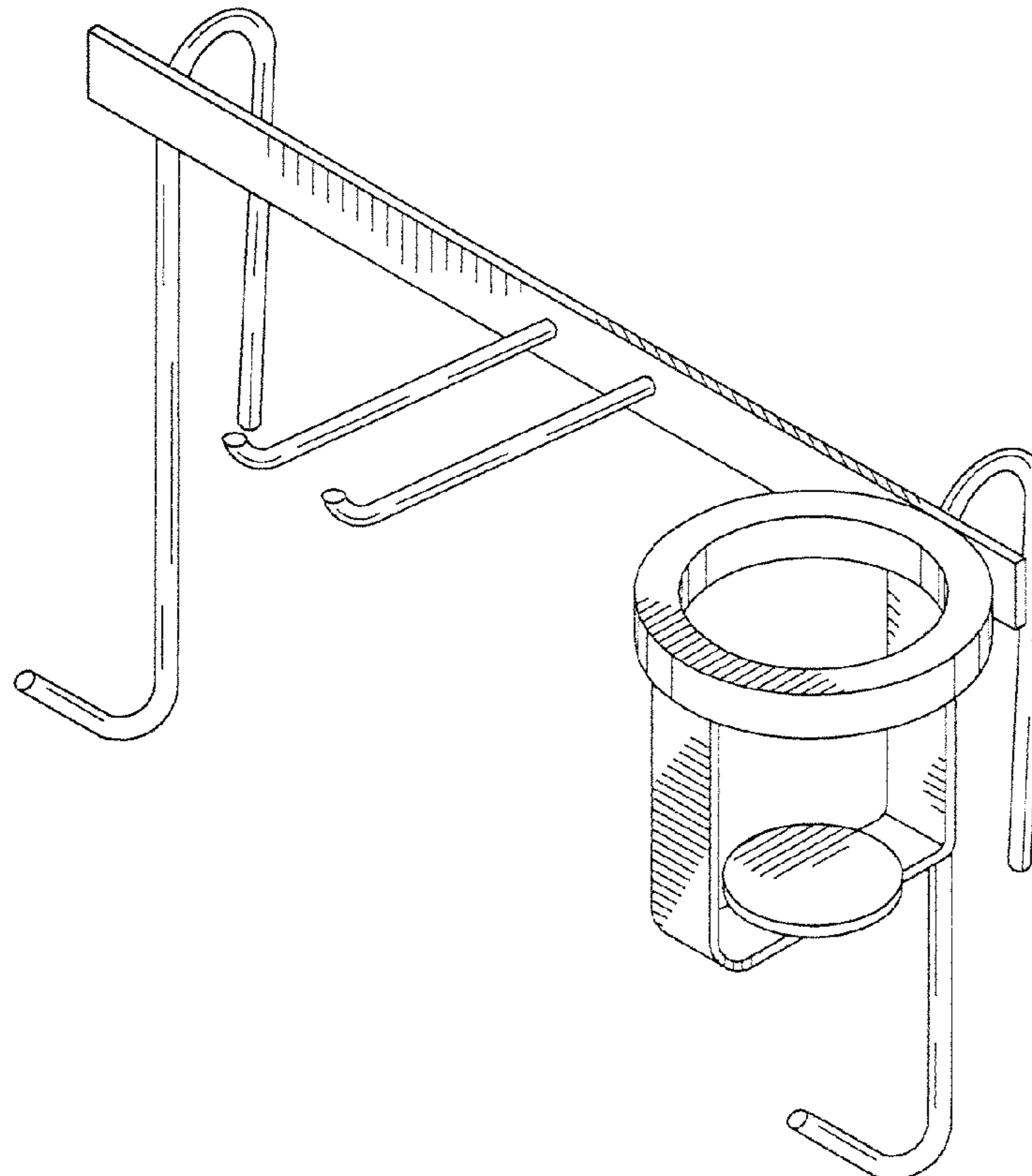
FIG. 7 is a bottom end view of the sports equipment rack of FIG. 1.

(56) **References Cited**

**U.S. PATENT DOCUMENTS**

3,698,563	A	10/1972	Gordon et al.	
4,629,065	A	12/1986	Braaten	
D400,037	S *	10/1998	Bartholow	D6/566
D454,460	S *	3/2002	Davies	D6/566
D470,394	S *	2/2003	Harwanko	D6/513
D497,688	S *	10/2004	Issa	D6/566
D547,098	S *	7/2007	Goodman et al.	D6/514
D560,088	S	1/2008	Tracy	
2006/0226321	A1	10/2006	Tracy	

**1 Claim, 4 Drawing Sheets**



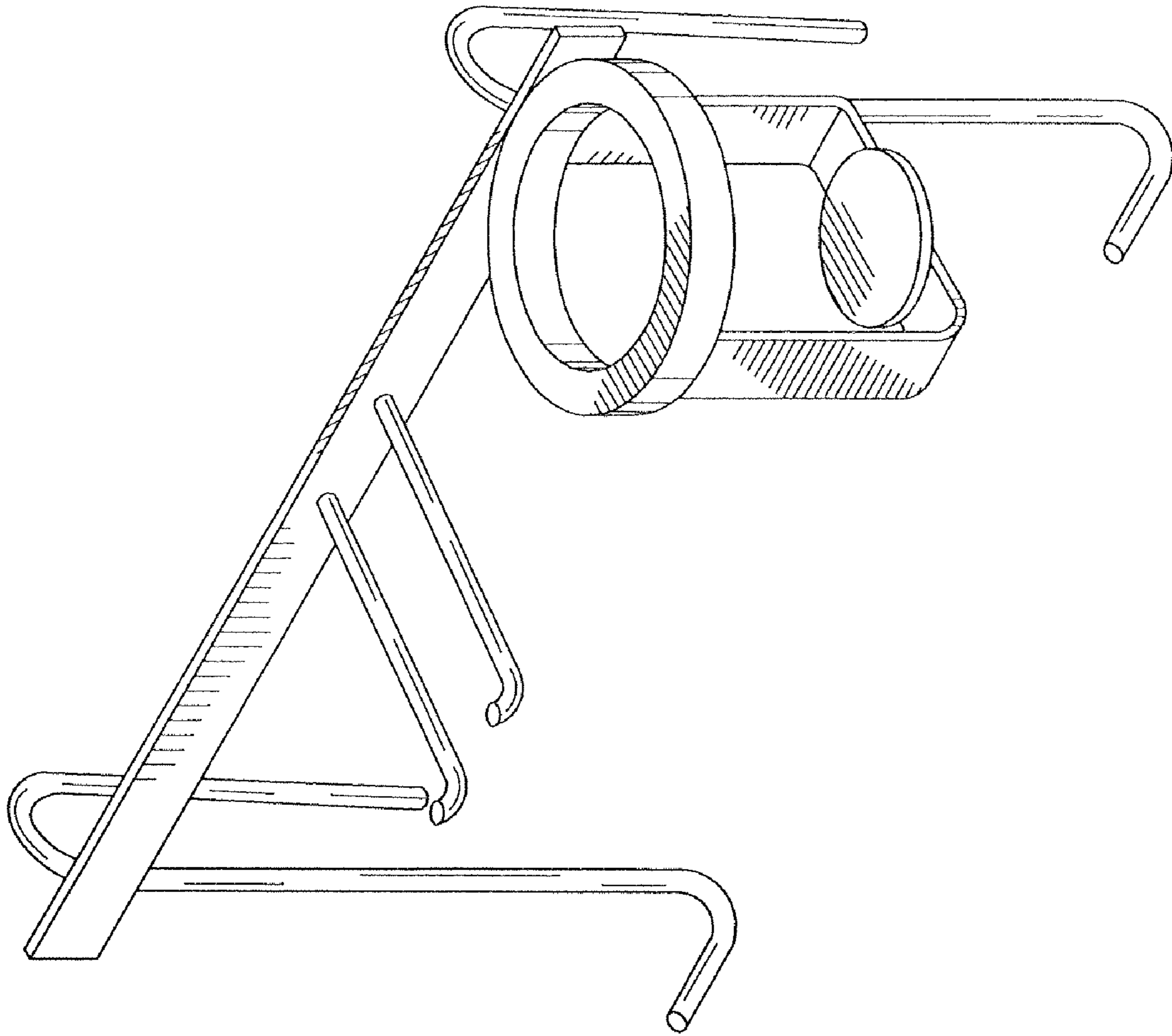


Fig. 1

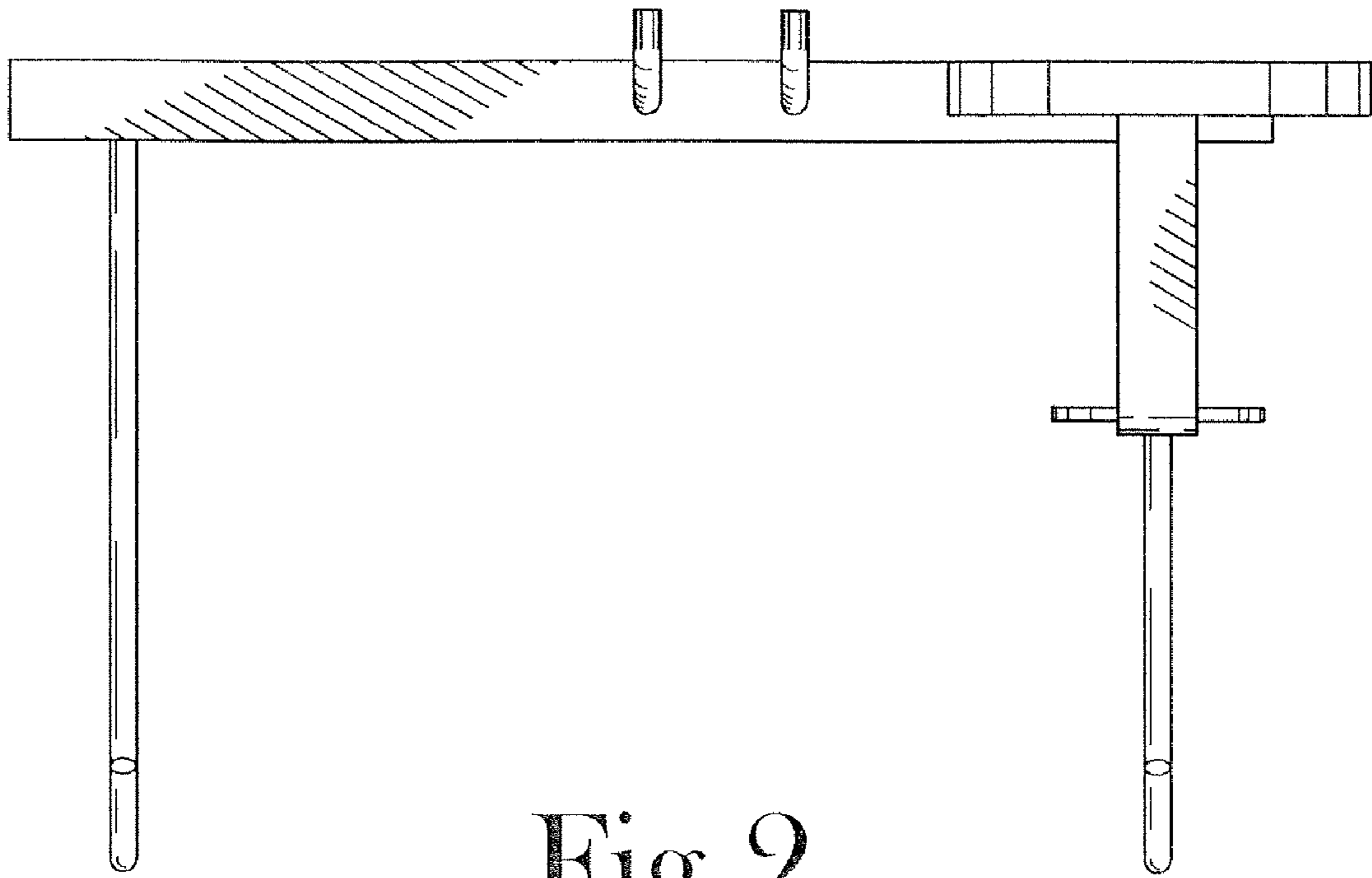


Fig. 2

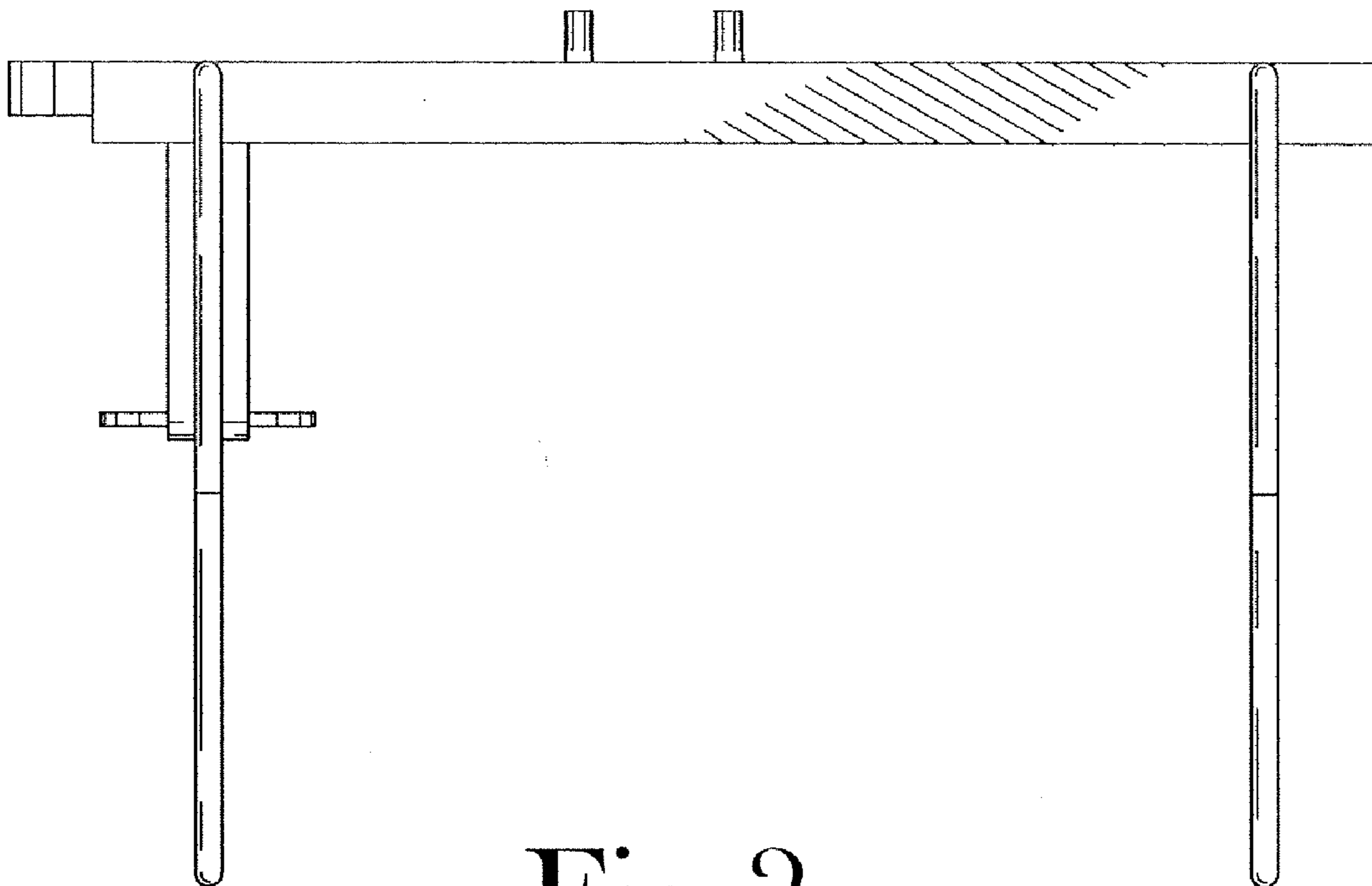


Fig. 3

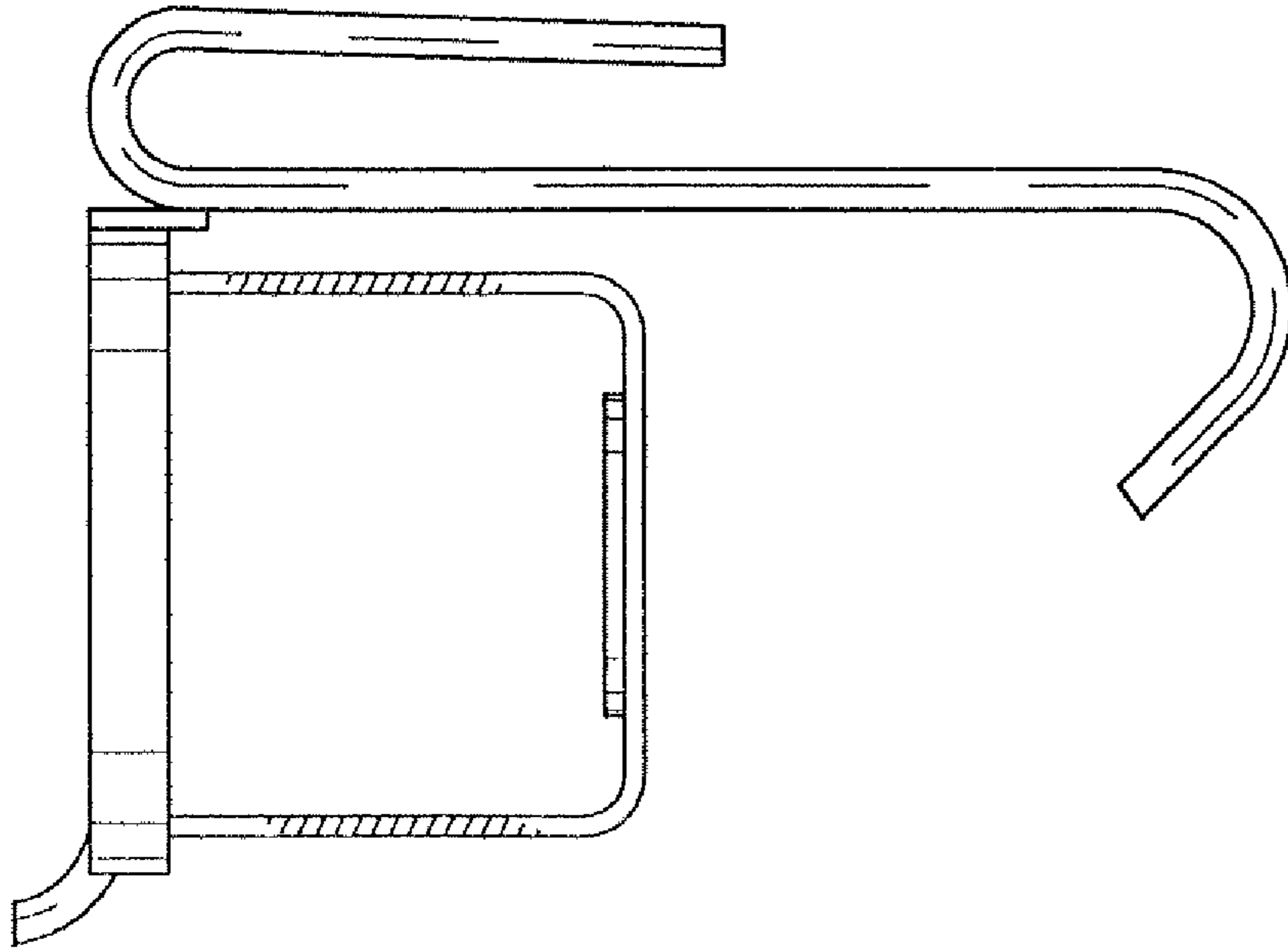


Fig. 5

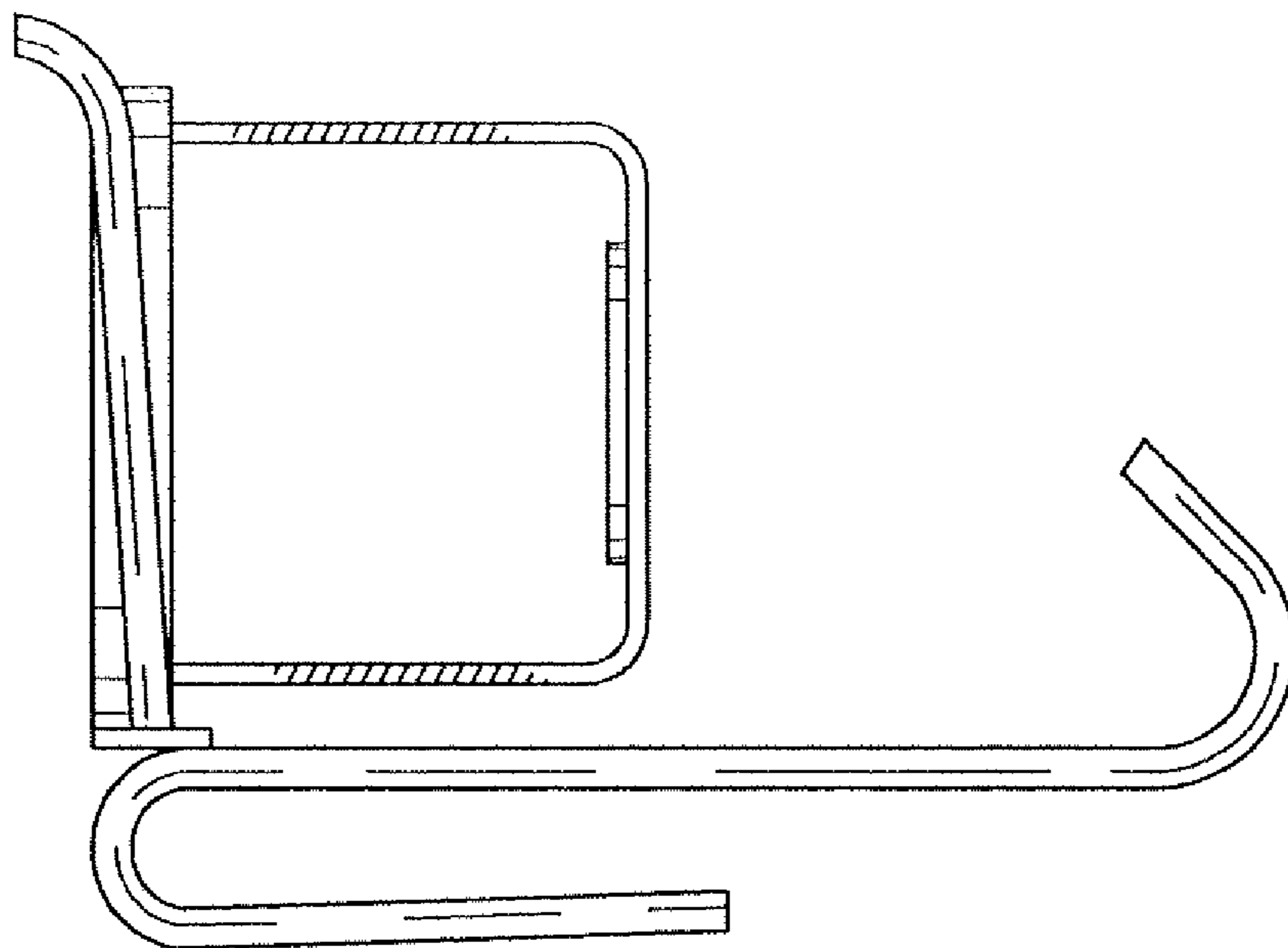


Fig. 4

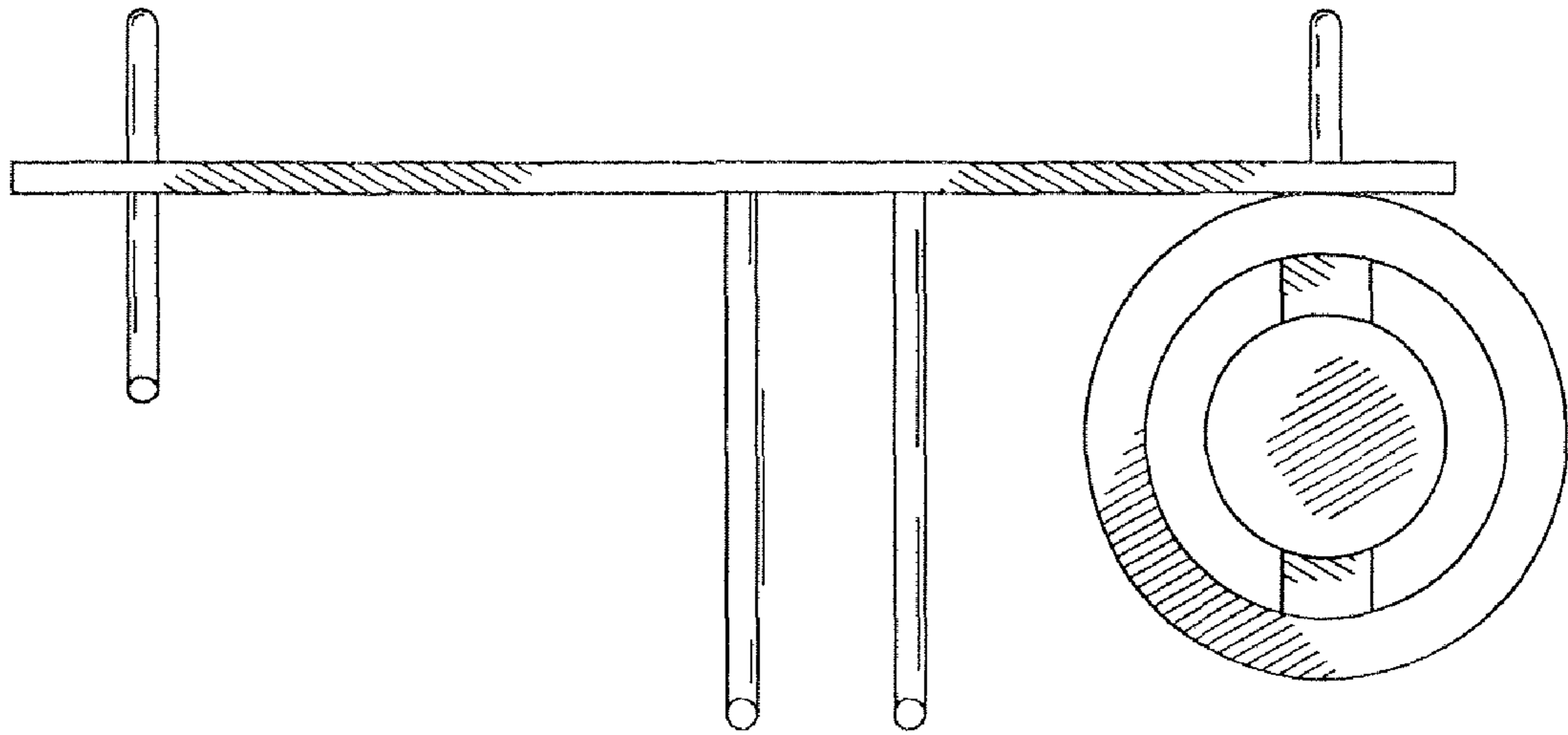


Fig. 6

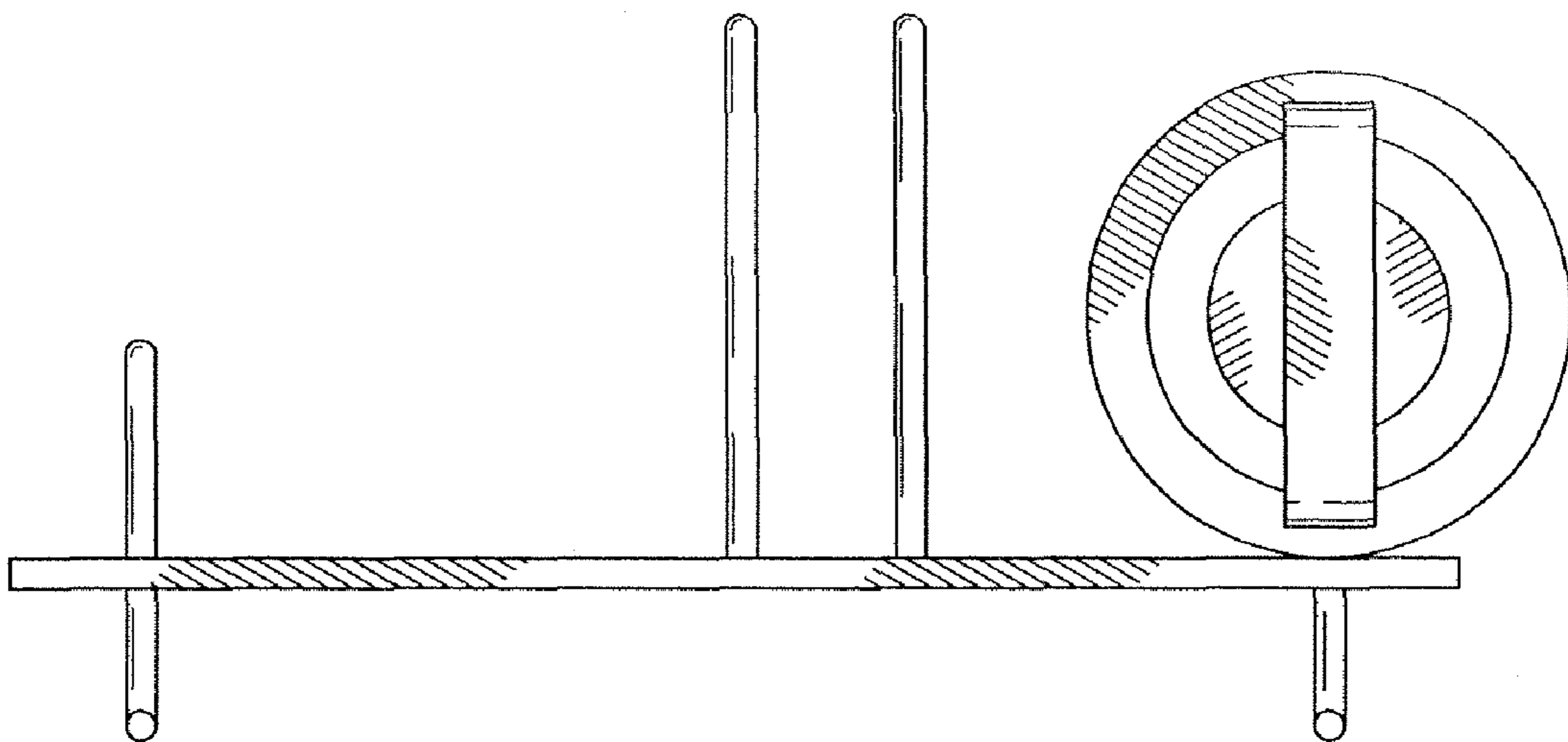


Fig. 7