



US00D631272S

(12) **United States Design Patent**
O'Brien et al.

(10) **Patent No.:** **US D631,272 S**

(45) **Date of Patent:** **** Jan. 25, 2011**

(54) **COMBINATION SOAP DISH AND GRAB BAR**

(76) Inventors: **John O'Brien**, 11 Parklane Court,
Ottawa, Ontario (CA) K1B 3H3; **Don Ed**, 27 Pentry Lane, Ottawa, Ontario
(CA) K1S 0X1; **Ed Thomas**, P.O.Box
131, Russell, Ontario (CA) K4R 1C8;
Sunil Achia, 296 Parkin Circle, Ottawa,
Ontario (CA) K1T 4G8

(**) Term: **14 Years**

(21) Appl. No.: **29/347,185**

(22) Filed: **Oct. 19, 2009**

(51) **LOC (9) Cl.** **23-02**

(52) **U.S. Cl.** **D6/533; D6/546; D8/315**

(58) **Field of Classification Search** D6/524,
D6/562, 546-550, 527, 532, 53, 535, 574;
D8/300, 315-320; D23/271, 303, 304; 211/13.1,
211/71.01, 86.01, 87.01, 88.01, 88.04, 90.01,
211/123, 126.1, 133.1, 134; 248/205.1, 220.1,
248/235, 251, 309.1

See application file for complete search history.

(56) **References Cited**

U.S. PATENT DOCUMENTS

D97,514 S * 11/1935 Vail D6/533

D128,783 S * 8/1941 Hallenscheid D6/533
D132,261 S * 5/1942 Sanford D8/316
D189,838 S * 3/1961 Larson D6/533
D215,859 S * 11/1969 Armstrong et al. D6/533
D323,596 S * 2/1992 Kim D6/533
D330,667 S * 11/1992 Scholl D8/315
D339,492 S * 9/1993 Klose D6/524

* cited by examiner

Primary Examiner—Brian N Vinson

(57) **CLAIM**

The ornamental design for a combination soap dish and grab bar, as shown and described.

DESCRIPTION

FIG. 1 is a perspective view of the combined soap dish and grab bar showing our new design.

FIG. 2 is a top plan view thereof;

FIG. 3 is a front elevation view thereof;

FIG. 4 is a rear elevation view thereof;

FIG. 5 is a bottom plan view thereof; and,

FIG. 6 is a right side plan view thereof, the left side being a mirror image of that shown.

1 Claim, 2 Drawing Sheets

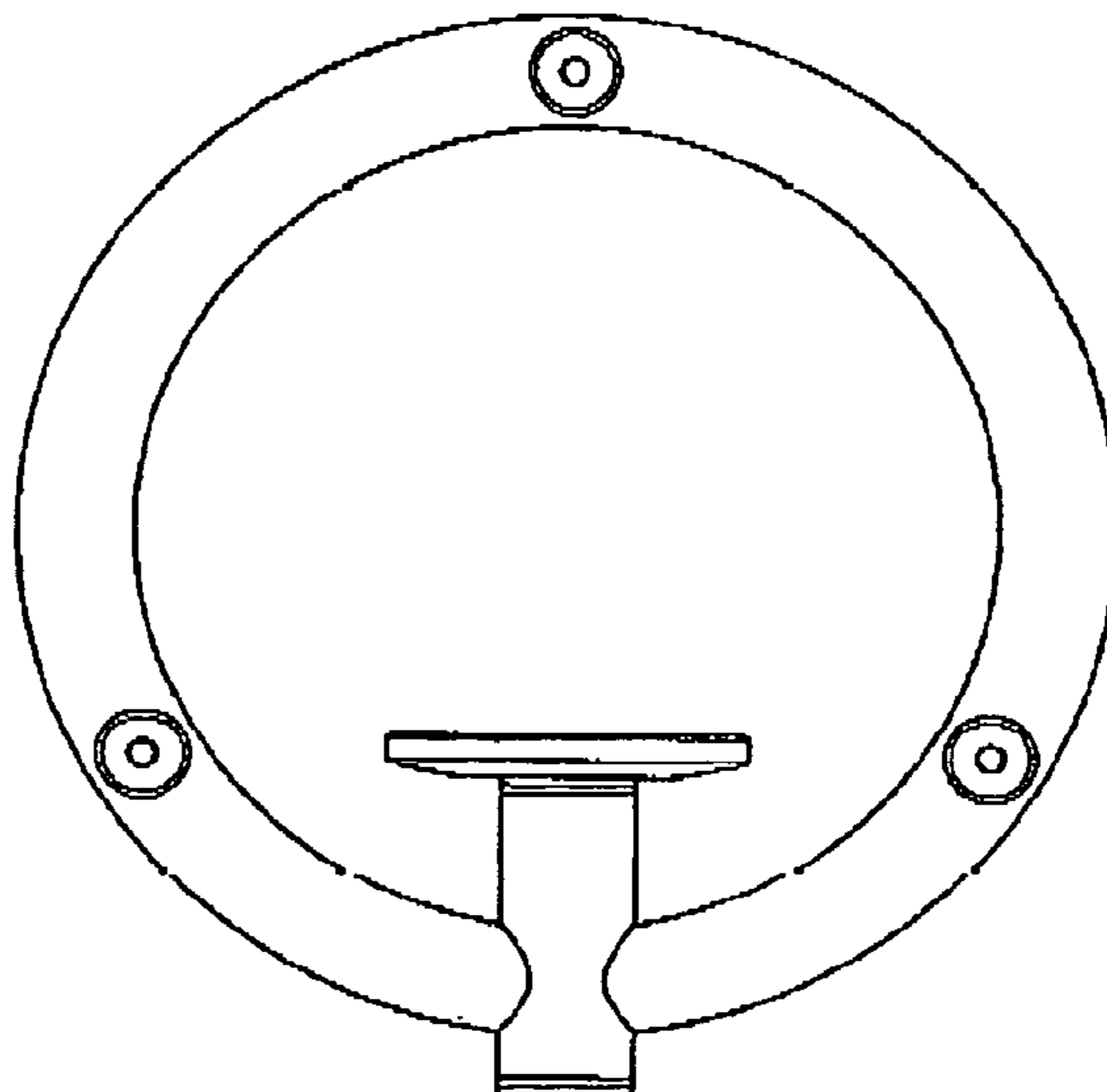
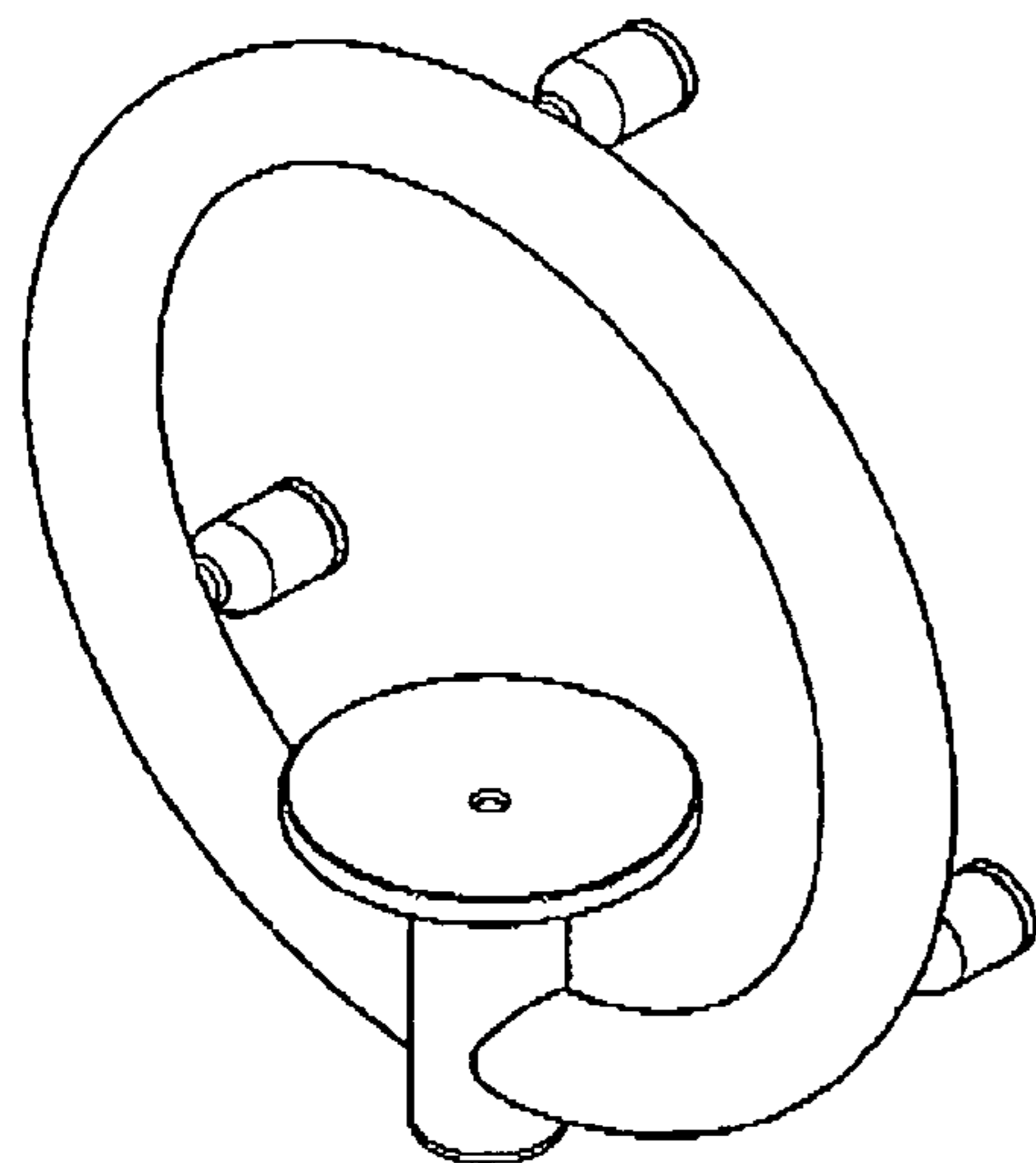


FIG. 1

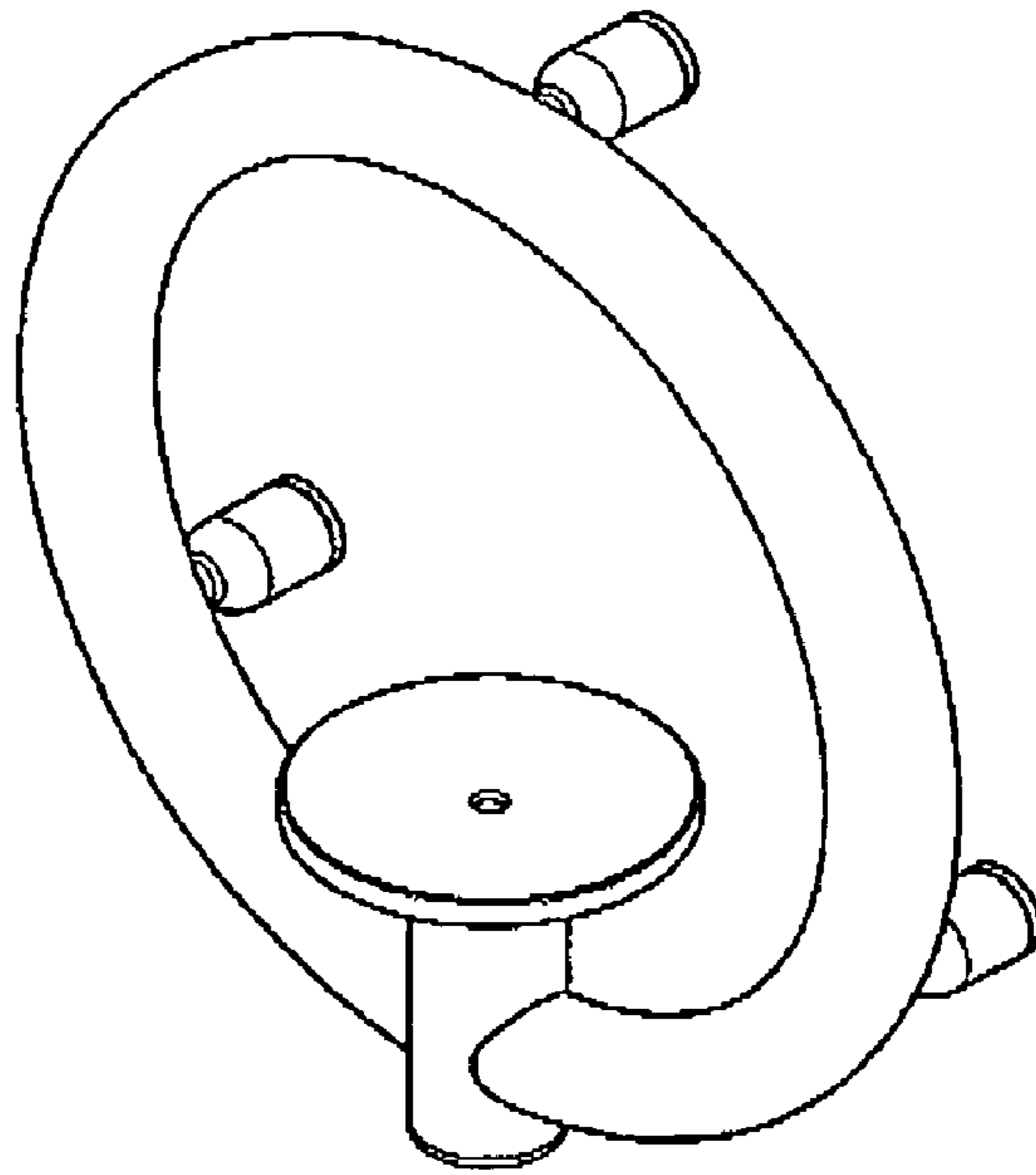


FIG. 2

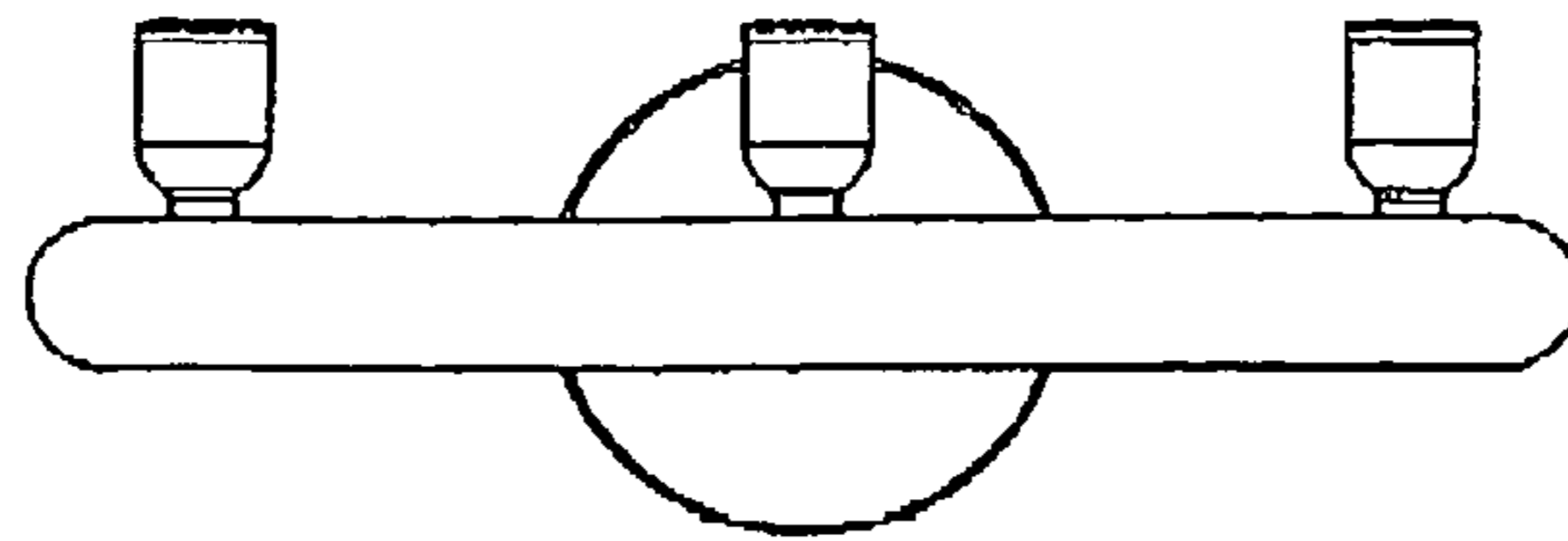


FIG. 3

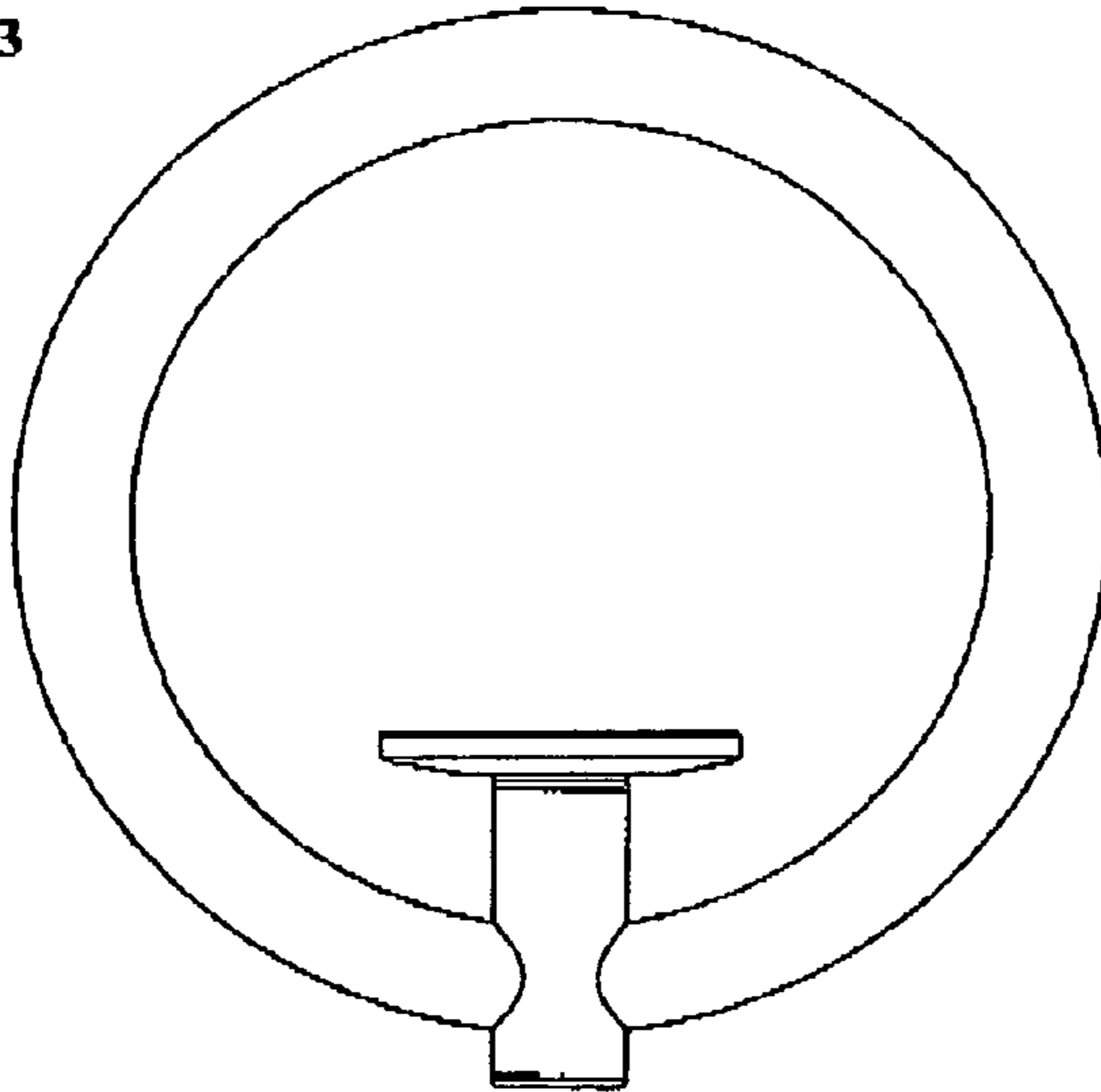


FIG. 4

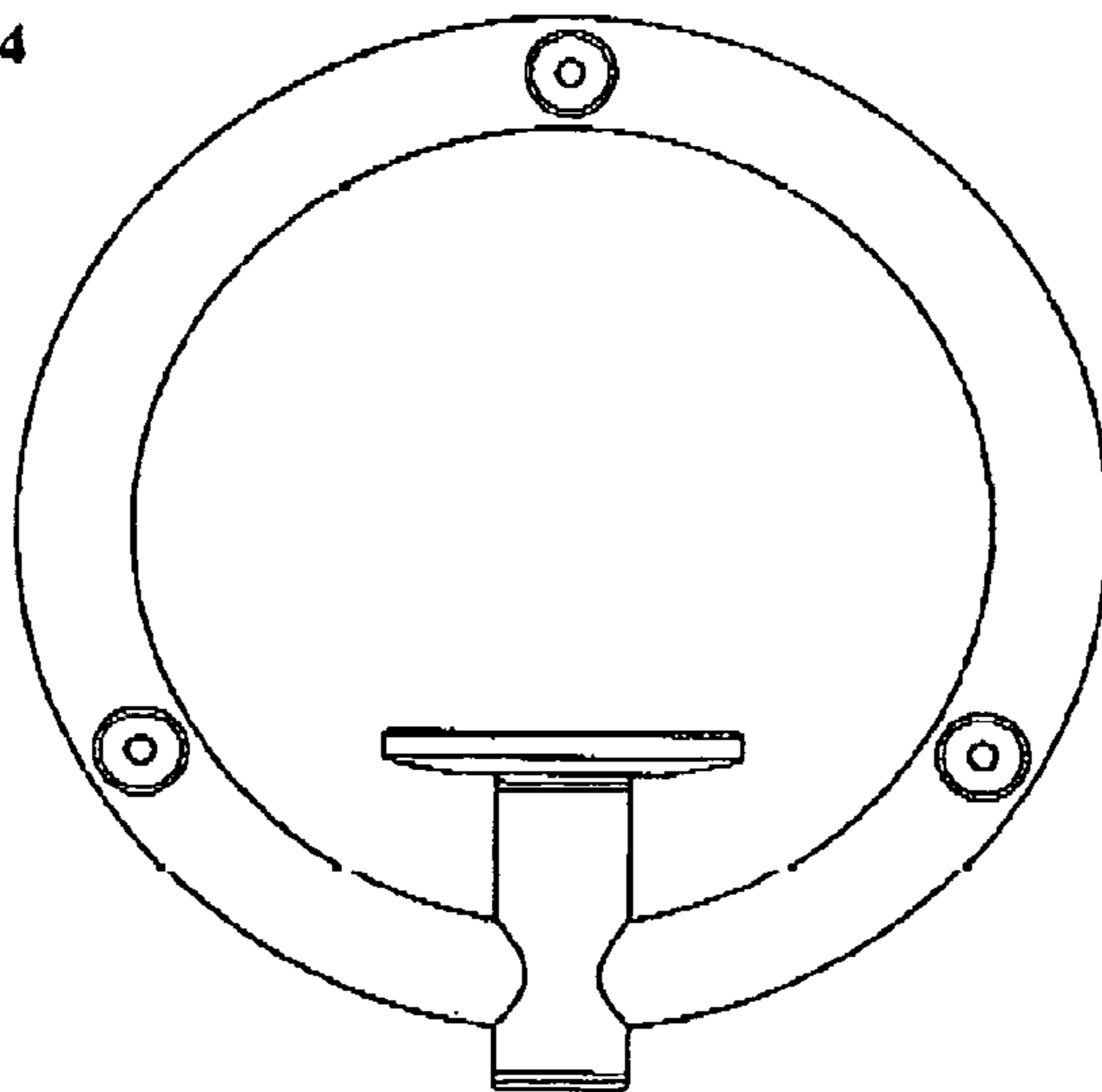


FIG. 6

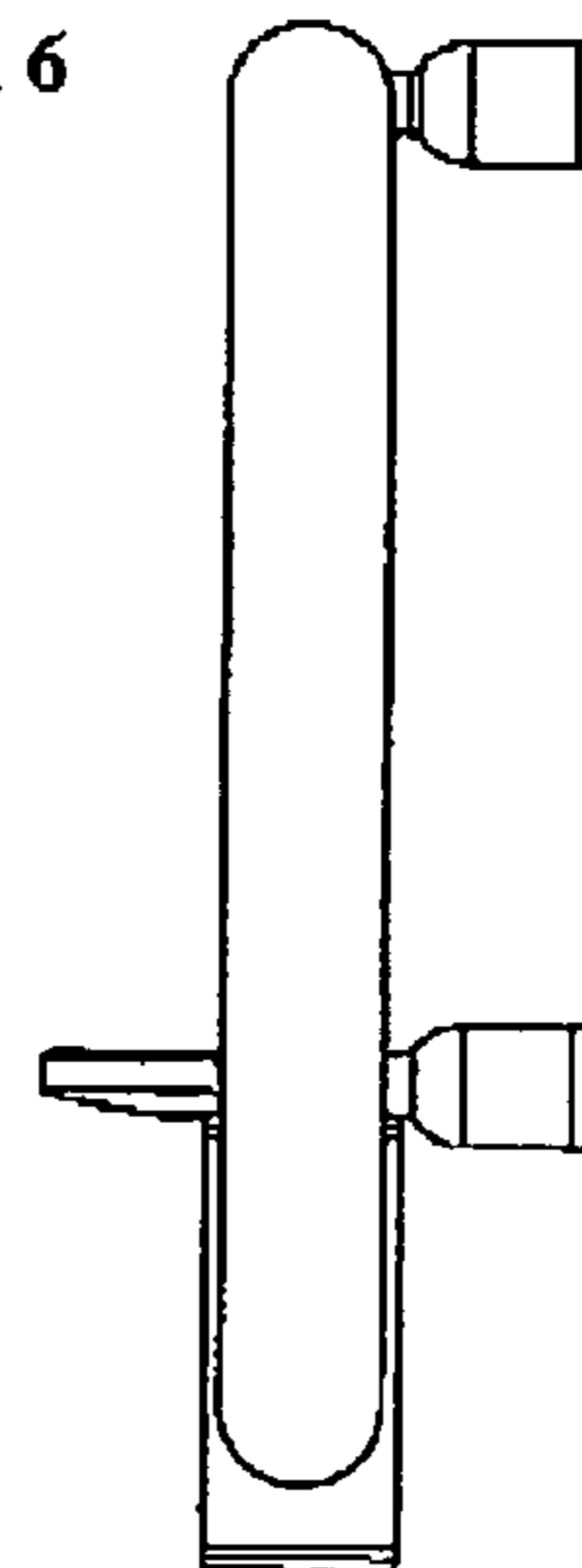


FIG. 5

