



US00D631271S

(12) **United States Design Patent**
Goodman et al.

(10) **Patent No.:** **US D631,271 S**
(45) **Date of Patent:** **** Jan. 25, 2011**

(54) **PAPER TOWEL HOLDER**

(75) Inventors: **Sheldon H. Goodman**, Solon, OH (US);
Omer I. Sazir, Cleveland, OH (US);
Elizabeth A. Cho, Strongsville, OH
(US)

(73) Assignee: **Spectrum Diversified Designs, Inc.**,
Streetsboro, OH (US)

(**) Term: **14 Years**

(21) Appl. No.: **29/367,897**

(22) Filed: **Aug. 14, 2010**

(51) **LOC (9) Cl.** **20-02**

(52) **U.S. Cl.** **D6/521**

(58) **Field of Classification Search** D6/518–523;
206/389, 391; 211/13.1, 59.1, 45, 890.1;
242/570, 590; 248/309.1, 309.2
See application file for complete search history.

(56) **References Cited**

U.S. PATENT DOCUMENTS

D390,054 S * 2/1998 Goodman D6/522

D405,304 S * 2/1999 Goodman et al. D6/522
D412,803 S * 8/1999 Goodman et al. D6/521
D474,635 S * 5/2003 Ancona D6/522
D522,292 S * 6/2006 Goodman et al. D6/521
D555,954 S * 11/2007 Yang et al. D6/521
D582,709 S * 12/2008 Goodman et al. D6/521

* cited by examiner

Primary Examiner—Brian N Vinson

(74) *Attorney, Agent, or Firm*—Pearne & Gordon LLP

(57) **CLAIM**

The ornamental design for a paper towel holder, as shown and described.

DESCRIPTION

FIG. 1 is a perspective view of a paper towel holder showing our new design;

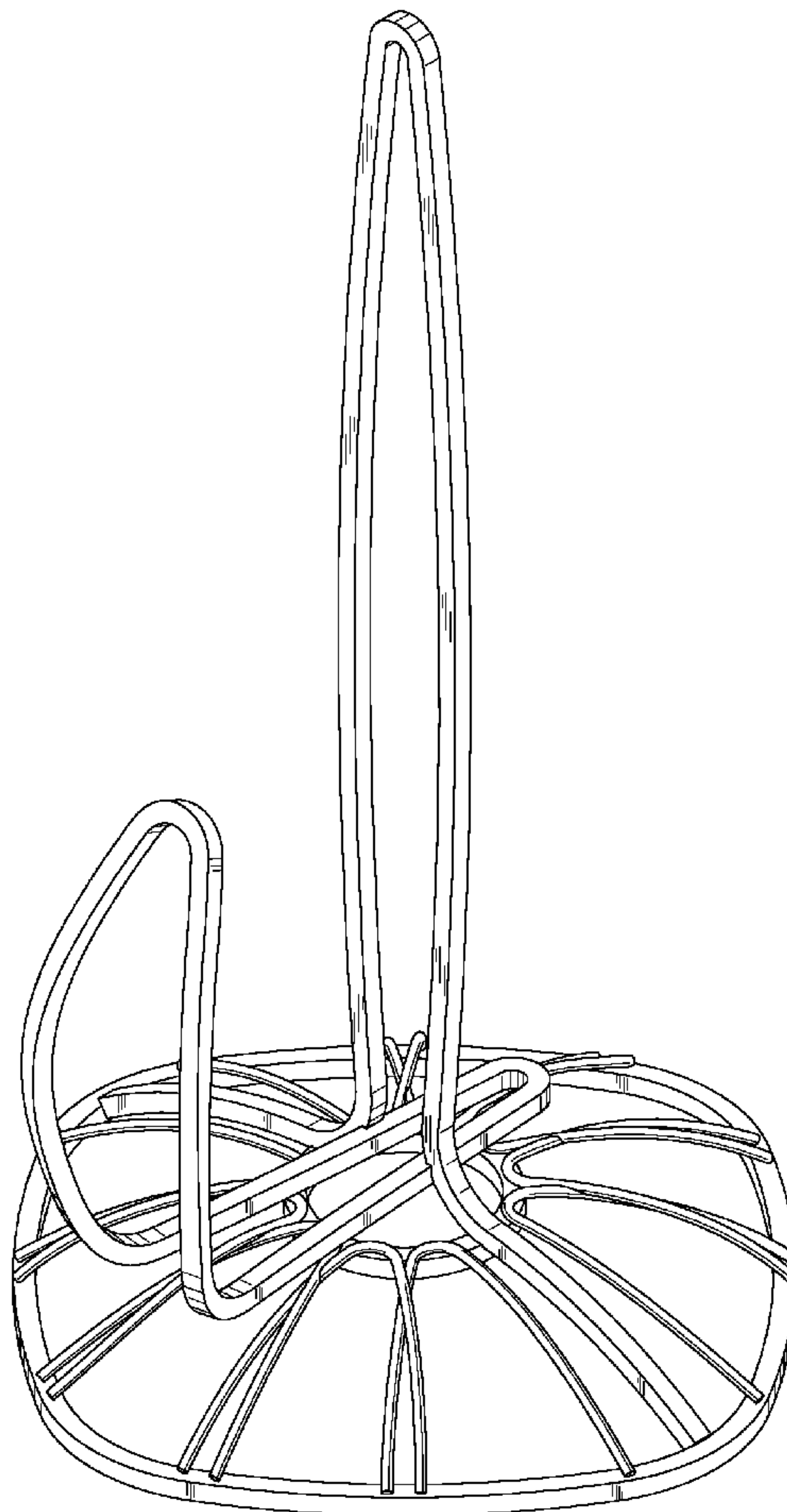
FIG. 2 is a top plan view thereof;

FIG. 3 is a bottom plan view thereof;

FIG. 4 is a front elevational view thereof; and,

FIG. 5 is a right side elevational view thereof, the left side elevational view being a mirror image.

1 Claim, 2 Drawing Sheets



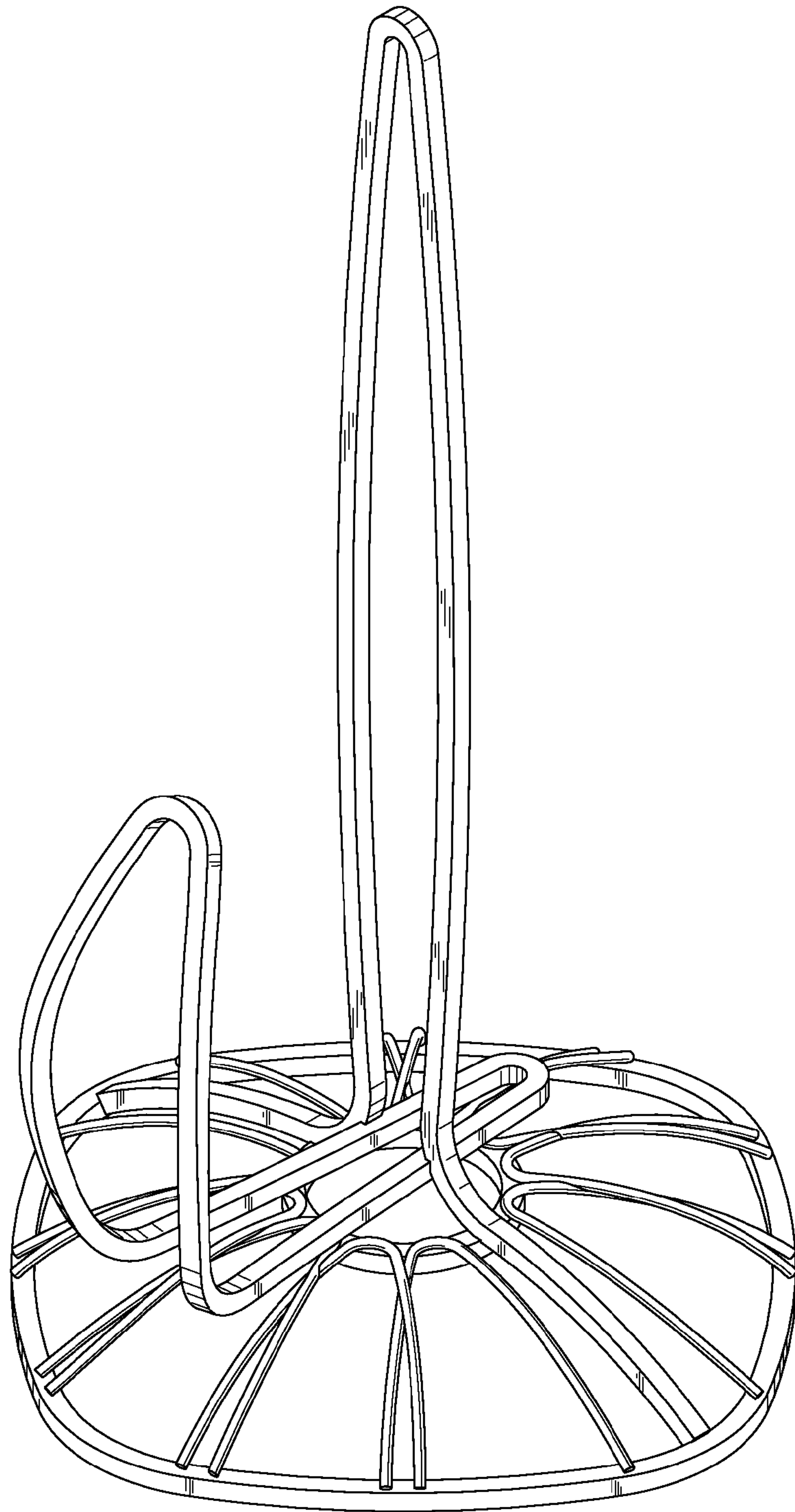


FIG. 1

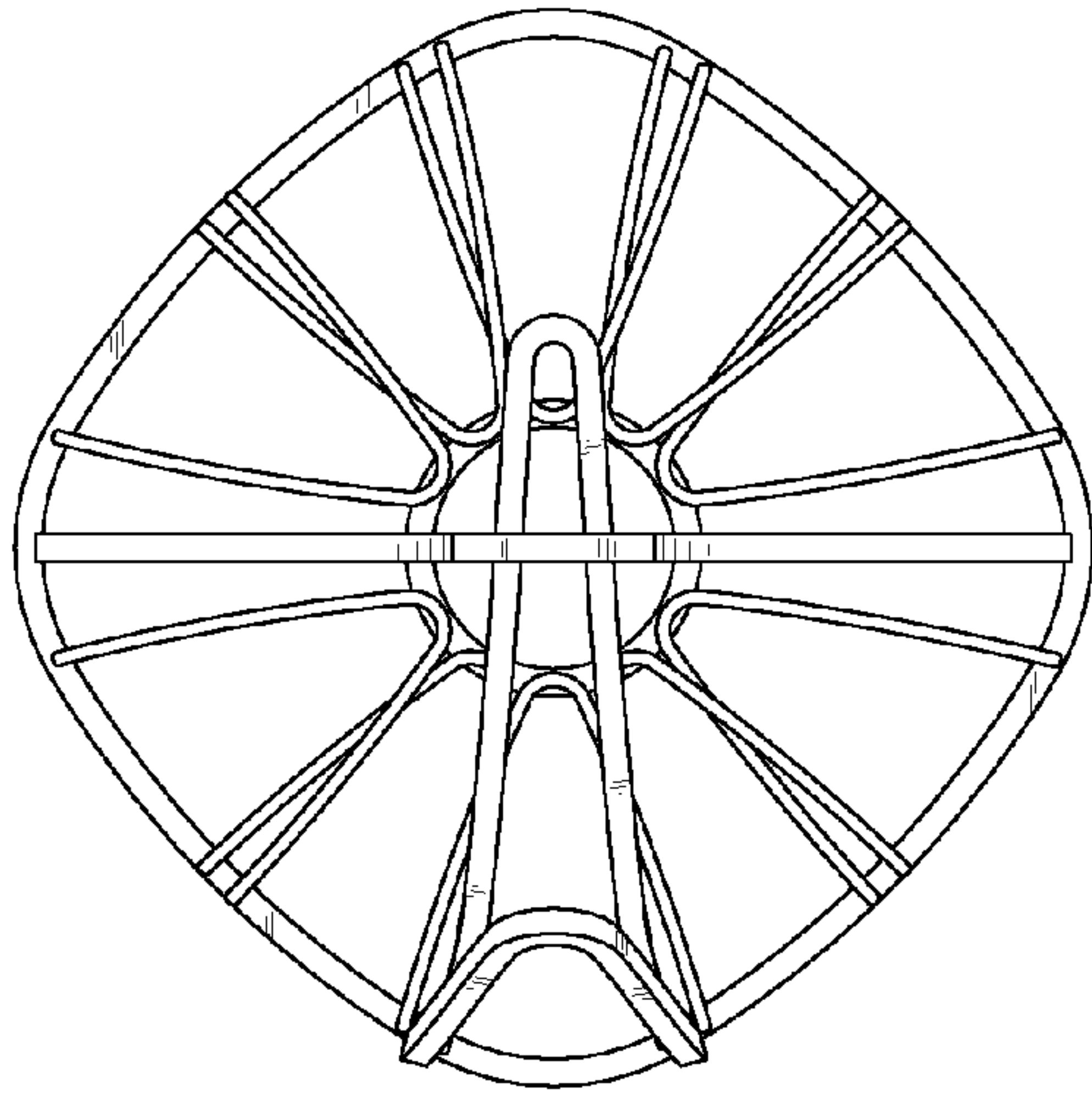


FIG. 2

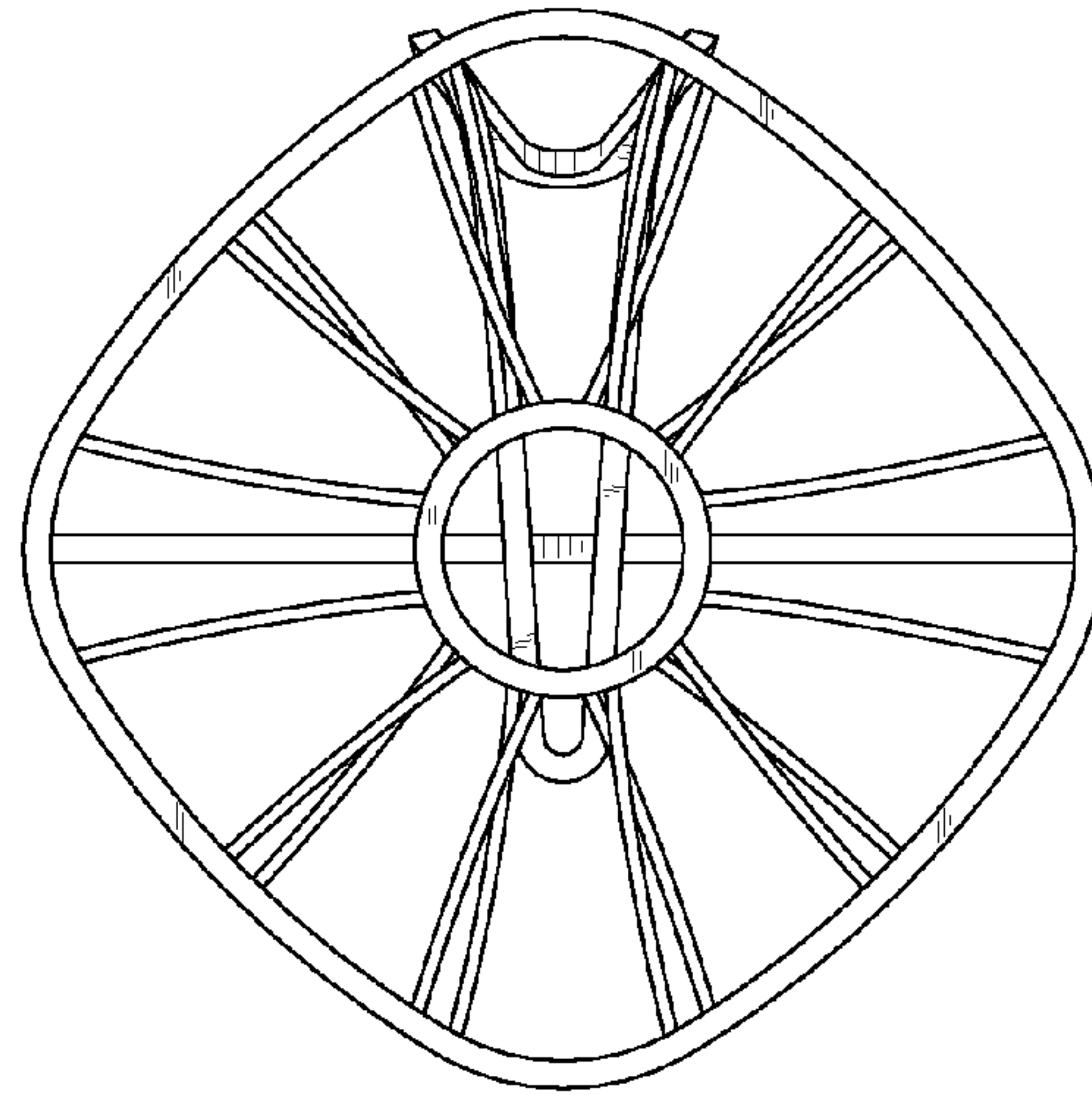


FIG. 3

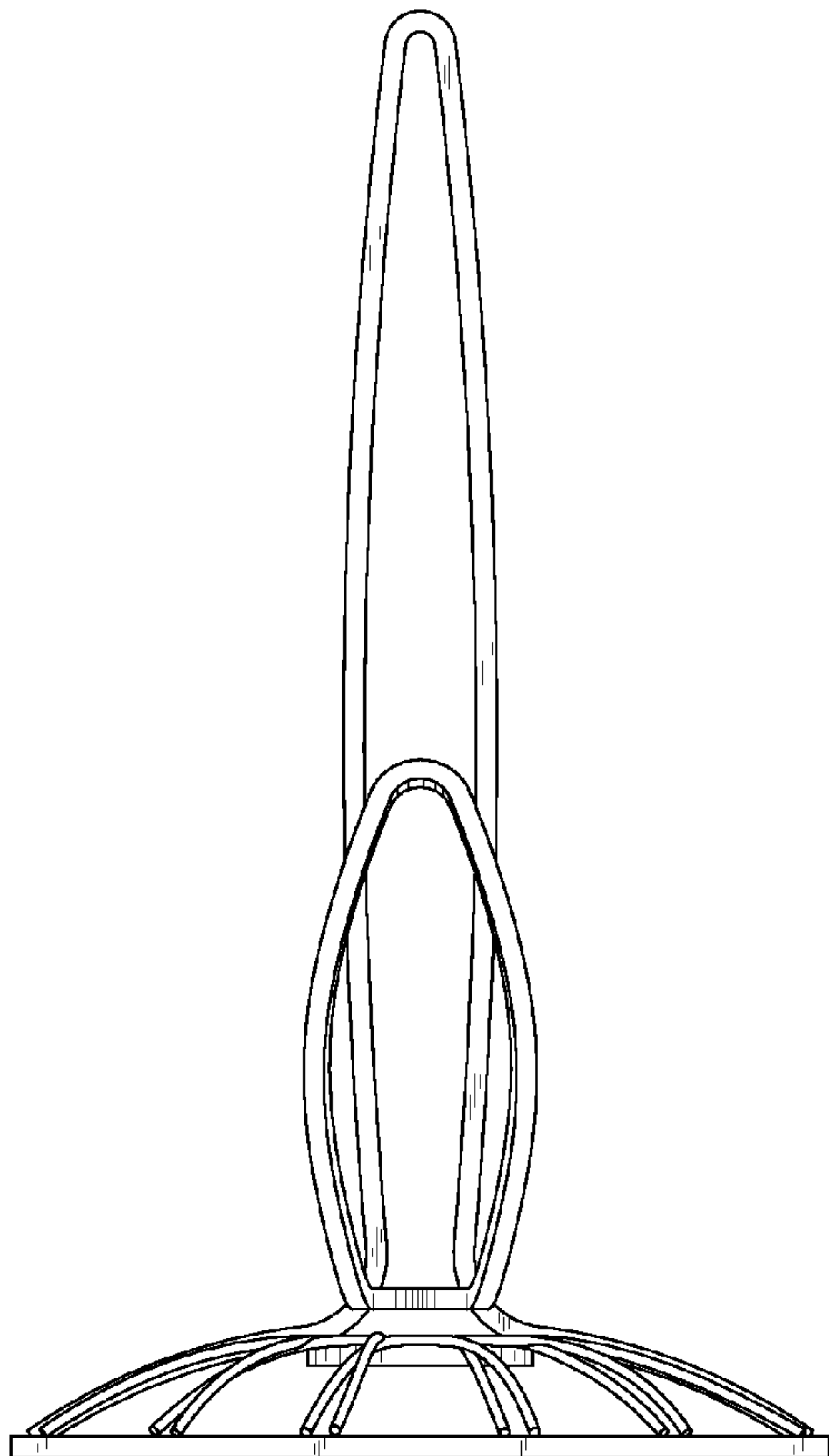


FIG. 4

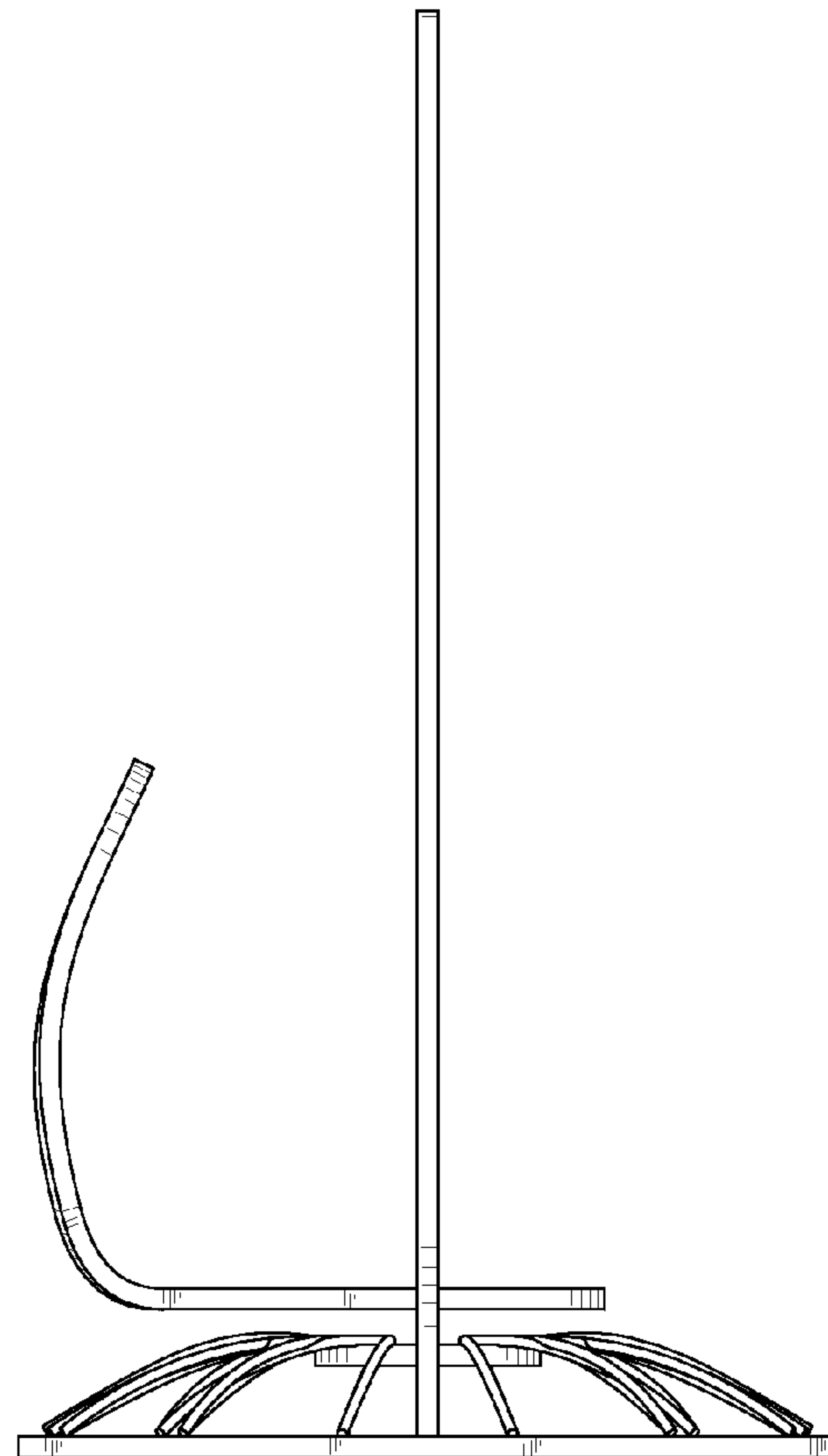


FIG. 5