



US00D631270S

(12) **United States Design Patent**
O'Brien et al.

(10) **Patent No.:** **US D631,270 S**
(45) **Date of Patent:** **** Jan. 25, 2011**

(54) **COMBINATION TOILET PAPER HOLDER AND GRAB BAR**

D165,532 S * 12/1951 Lind D6/533
D330,667 S * 11/1992 Scholl D8/315
D390,392 S * 2/1998 Odom D6/519
D566,249 S * 4/2008 Graves et al. D23/304

(76) Inventors: **John O'Brien**, 11 Parklane Court, Ottawa, Ontario (CA) K1B 3H3; **Don Ed**, 27 Pentry Lane, Ottawa, Ontario (CA) K1S 0X1; **Ed Thomas**, P.O. Box 131, Russell, Ontario (CA) K4R 1C8; **Sunil Achia**, 296 Parkin Circle, Ottawa, Ontario (CA) K1T 4G8

* cited by examiner

Primary Examiner—Brian N Vinson

(**) Term: **14 Years**

(57) **CLAIM**

(21) Appl. No.: **29/347,183**

The ornamental design for a combination toilet paper holder and grab bar, as shown and described.

(22) Filed: **Oct. 19, 2009**

DESCRIPTION

(51) **LOC (9) Cl.** **20-02**

(52) **U.S. Cl.** **D6/519; D6/527; D8/315**

(58) **Field of Classification Search** D6/518-52, D6/562, 53; D8/300, 315-320; D23/271, D23/303, 304; 211/13.1, 71.01, 86.01, 87.01, 211/88.01, 88.04, 90.01, 123, 126.1, 133.1, 211/134; 248/220.1, 235, 251, 309.1

See application file for complete search history.

FIG. 1 is a perspective view of the combined toilet paper holder and grab bar showing our new design;
FIG. 2 is a top plan view thereof;
FIG. 3 is a front elevation view thereof;
FIG. 4 is a rear elevation view thereof;
FIG. 5 is a bottom plan view thereof; and,
FIG. 6 is a right side plan view thereof, the left side being a mirror image of that shown.

(56) **References Cited**

U.S. PATENT DOCUMENTS

D132,261 S * 5/1942 Sanford D8/316

1 Claim, 2 Drawing Sheets

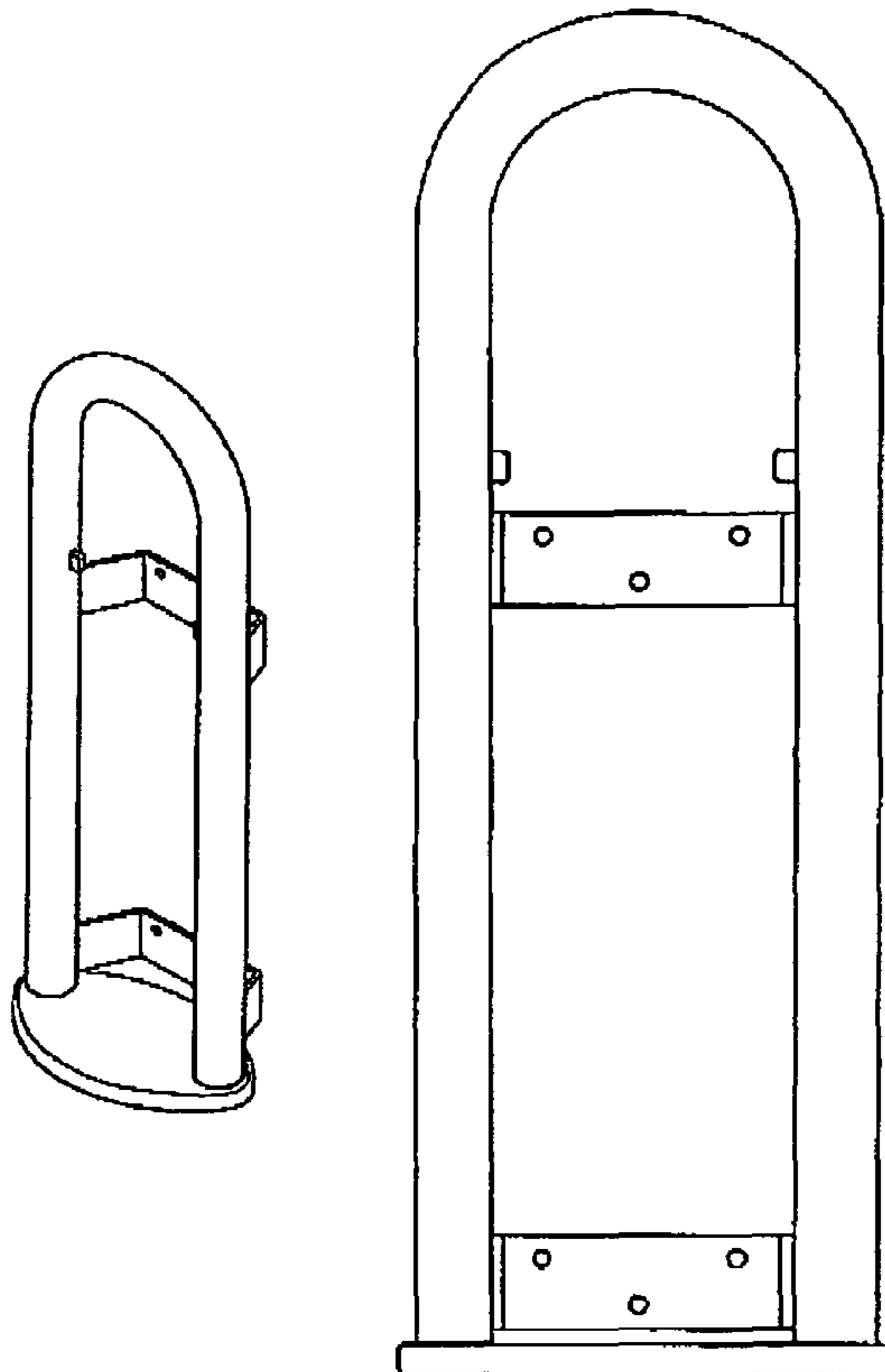


FIG. 1

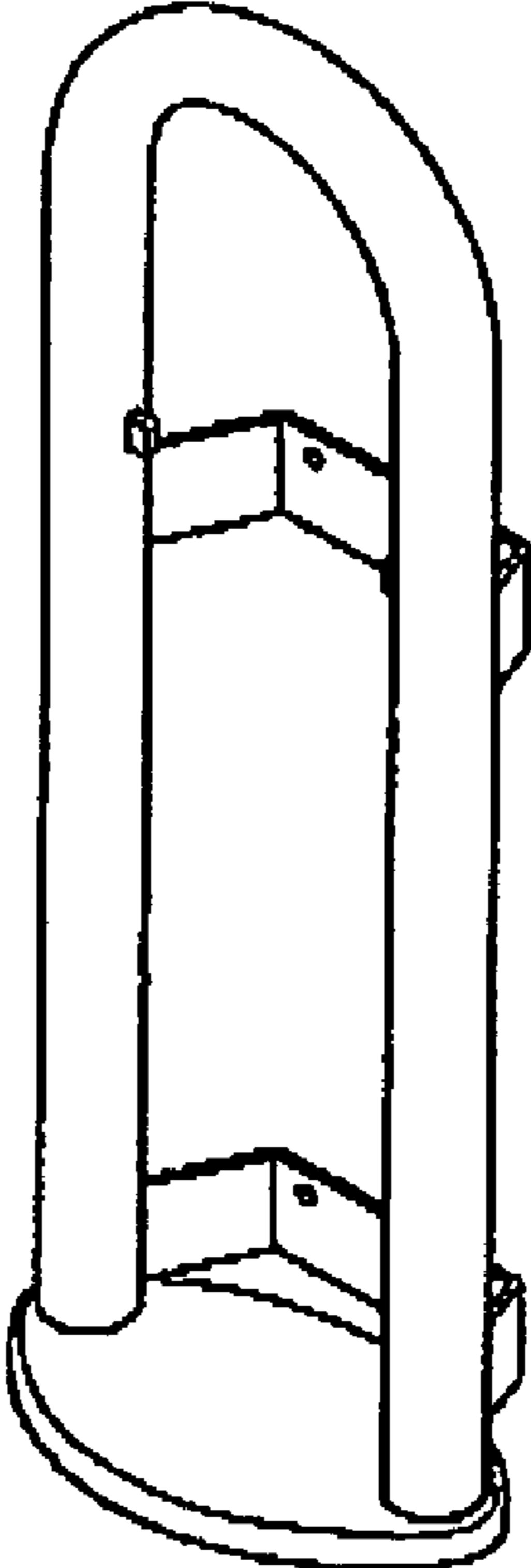


FIG. 2

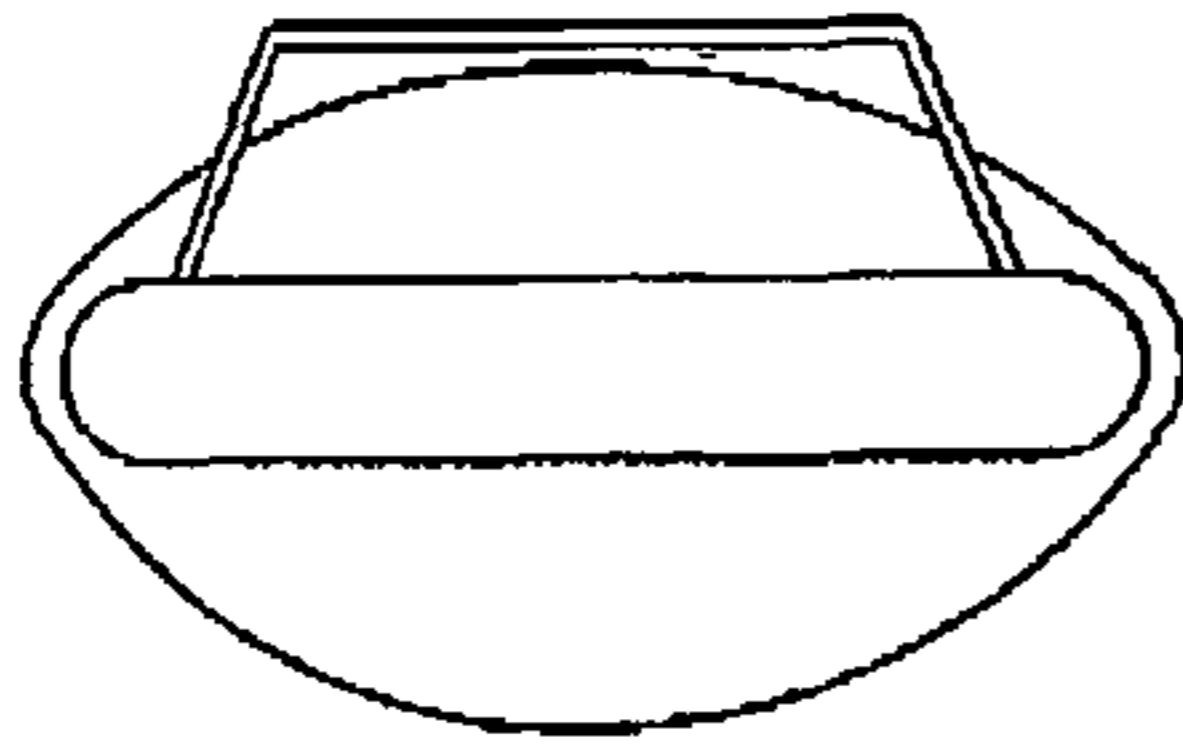


FIG. 3

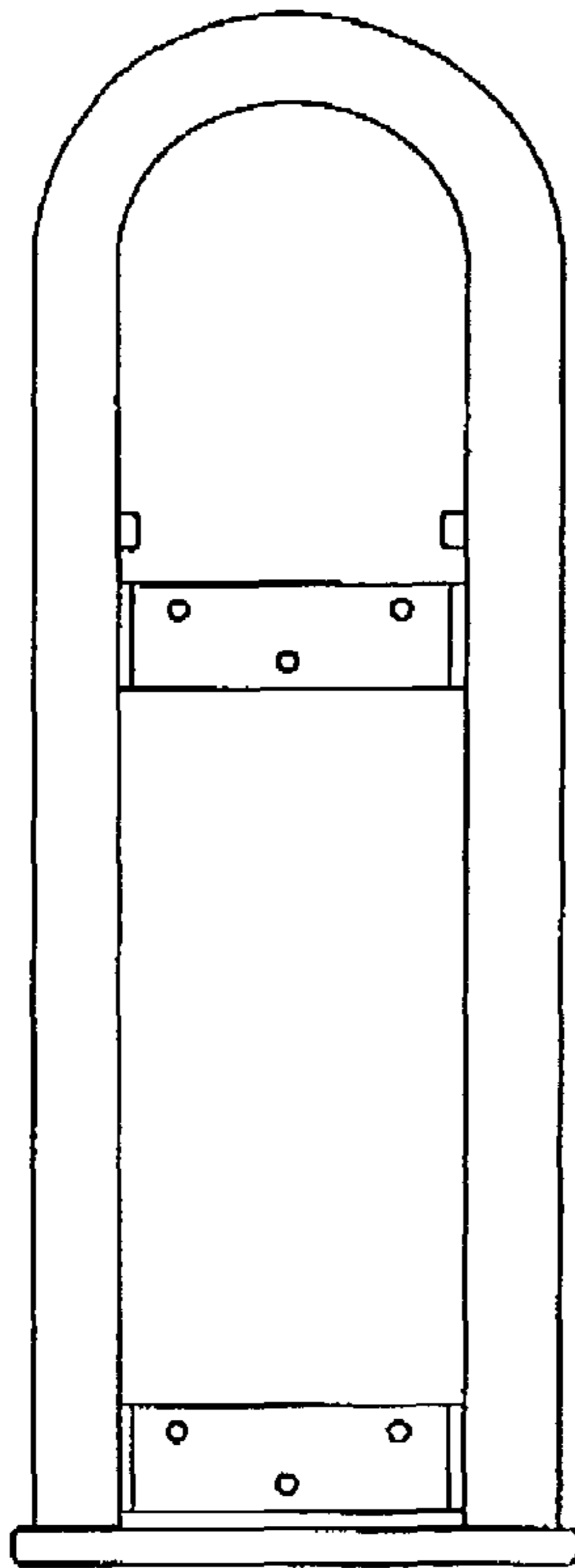


FIG. 4

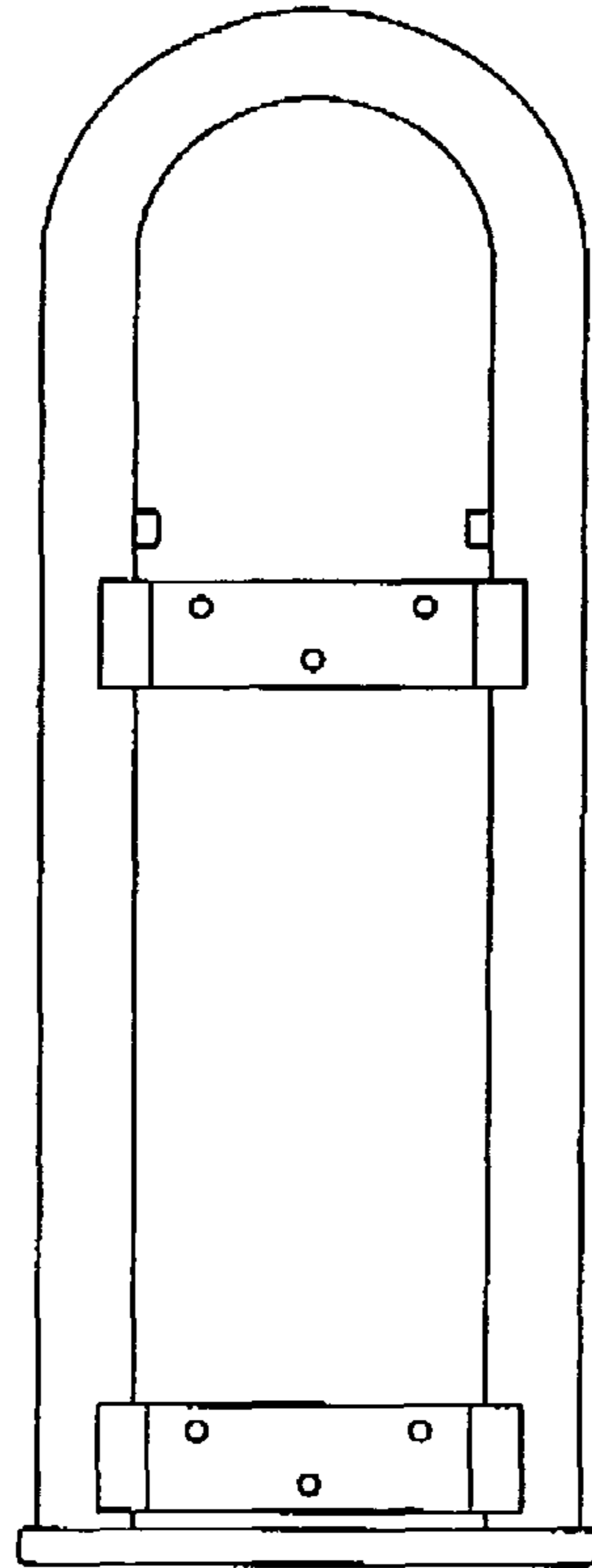


FIG. 6

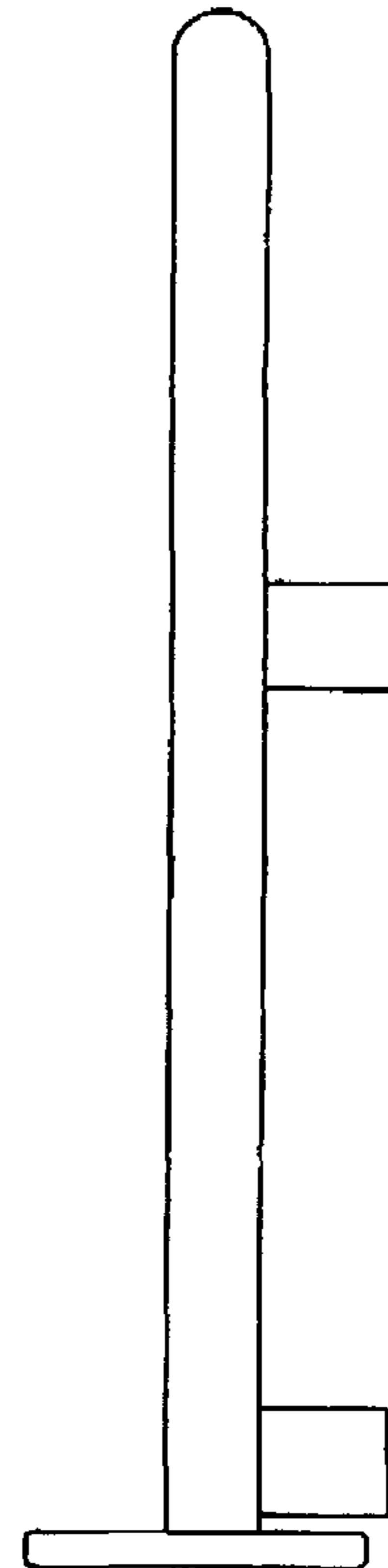


FIG. 5

