

US00D631268S

(12) **United States Design Patent**  
**Yang et al.**

(10) **Patent No.:** **US D631,268 S**  
(45) **Date of Patent:** **\*\* Jan. 25, 2011**

(54) **BAMBOO TISSUE BOX COVER**

(75) Inventors: **Frank Yang**, Rancho Palos Verdes, CA (US); **Tzu-Hao Wei**, Hacienda Heights, CA (US); **Di-Fong Chang**, Torrance, CA (US); **Myk Lum**, Irvine, CA (US); **Helen Tang**, Rowland Heights, CA (US)

(73) Assignee: **Simplehuman LLC**, Torrance, CA (US)

(\*\*) Term: **14 Years**

(21) Appl. No.: **29/346,642**

(22) Filed: **Nov. 3, 2009**

(51) **LOC (9) Cl.** ..... **20-02**

(52) **U.S. Cl.** ..... **D6/518**

(58) **Field of Classification Search** ..... D6/515-523;  
206/225, 233, 289, 391, 812, 824; 211/13.1,  
211/45.1; 222/173, 180; 221/26, 33, 282-283;  
248/309.1, 309.2, 905

See application file for complete search history.

(56) **References Cited**

**U.S. PATENT DOCUMENTS**

D390,391 S *	2/1998	Hsu	.....	D6/518
D460,304 S *	7/2002	Ong	.....	D6/518
D464,513 S *	10/2002	Ong	.....	D6/518
D466,733 S *	12/2002	Ong	.....	D6/518
D468,568 S *	1/2003	Ong	.....	D6/518
D523,669 S *	6/2006	Wieser et al.	.....	D6/518
D534,022 S *	12/2006	Sab	.....	D6/518

D564,812 S \* 3/2008 Tomic et al. .... D6/518

\* cited by examiner

*Primary Examiner*—Brian N Vinson

(74) *Attorney, Agent, or Firm*—Liu & Liu

(57) **CLAIM**

The ornamental design for a bamboo tissue box cover, as shown and described.

**DESCRIPTION**

FIG. 1 is a top and right perspective view of a first embodiment of a bamboo tissue box cover showing our new design;

FIG. 2 is a top plan view thereof;

FIG. 3 is a front elevational view thereof;

FIG. 4 is a rear elevational view thereof;

FIG. 5 is a right side elevational view thereof;

FIG. 6 is a left side elevational view thereof;

FIG. 7 is a top and right perspective view of a second embodiment thereof;

FIG. 8 is a top plan view thereof;

FIG. 9 is a front elevational view thereof;

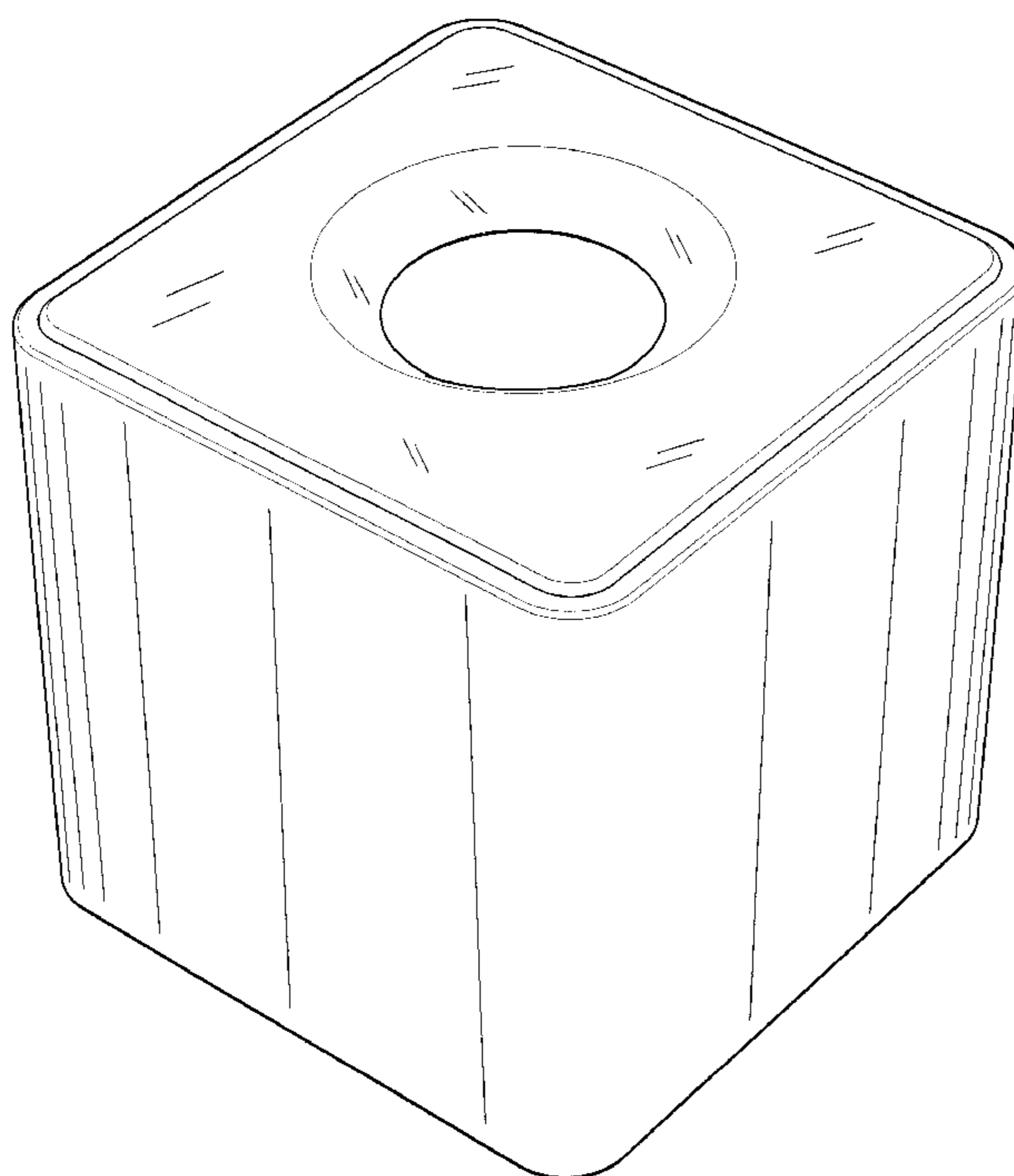
FIG. 10 is a rear elevational view thereof;

FIG. 11 is a right side elevational view thereof; and,

FIG. 12 is a left side elevational view thereof.

Stippling is used in FIGS. 7 to 12 to illustrate a contrast in materials, textures, colors and/or finishes for different areas of the new design.

**1 Claim, 12 Drawing Sheets**



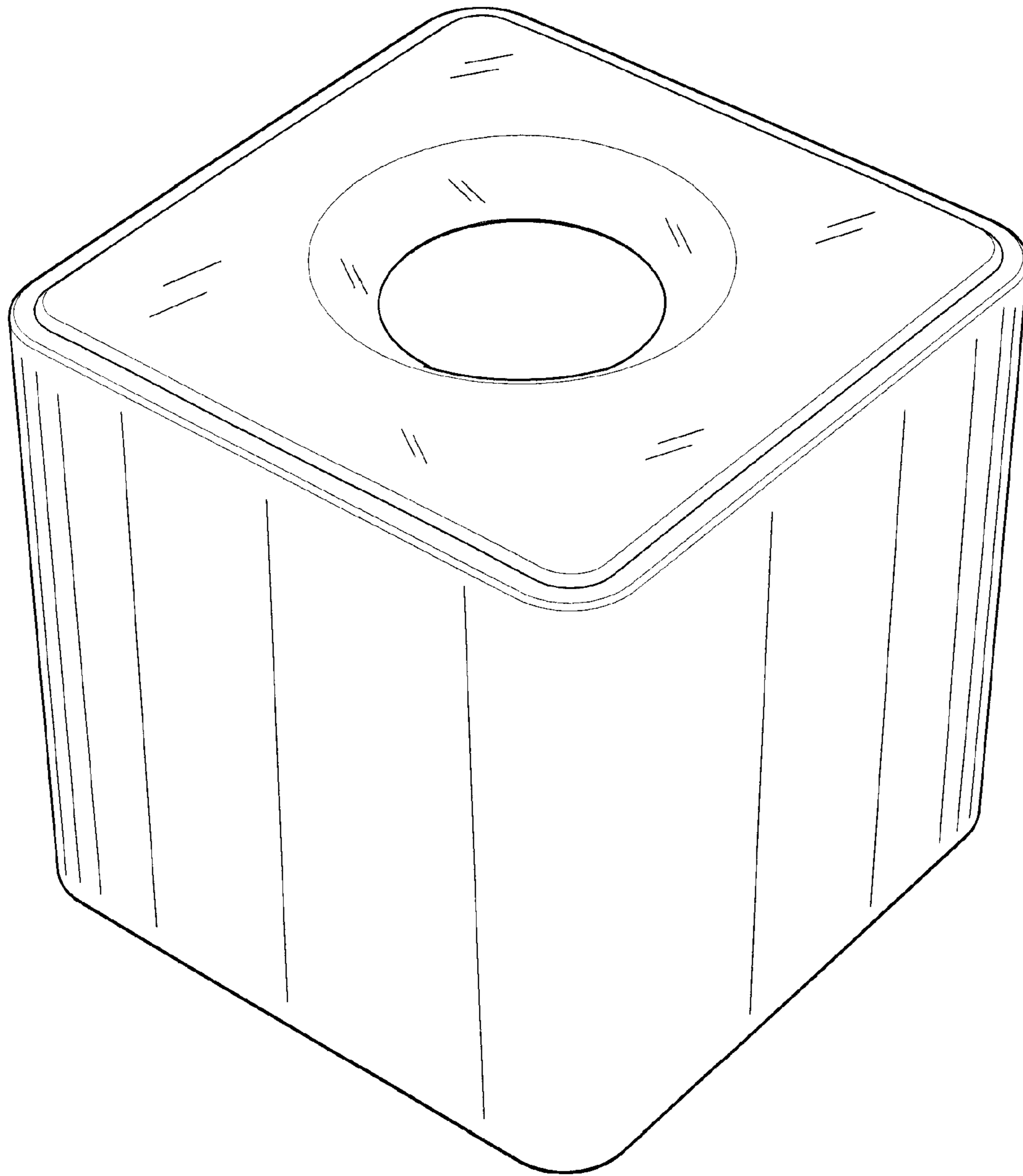


FIG. 1

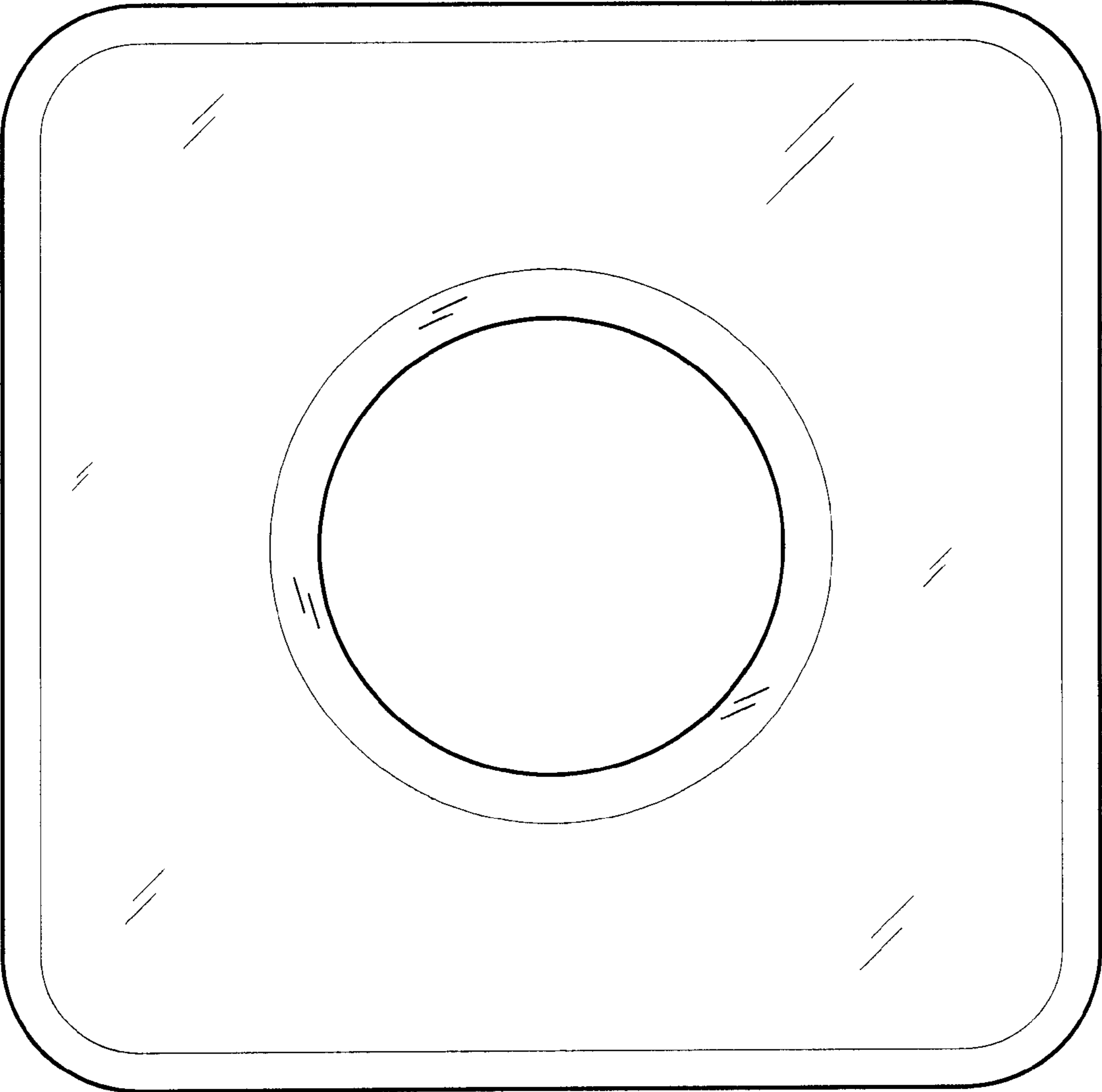


FIG. 2

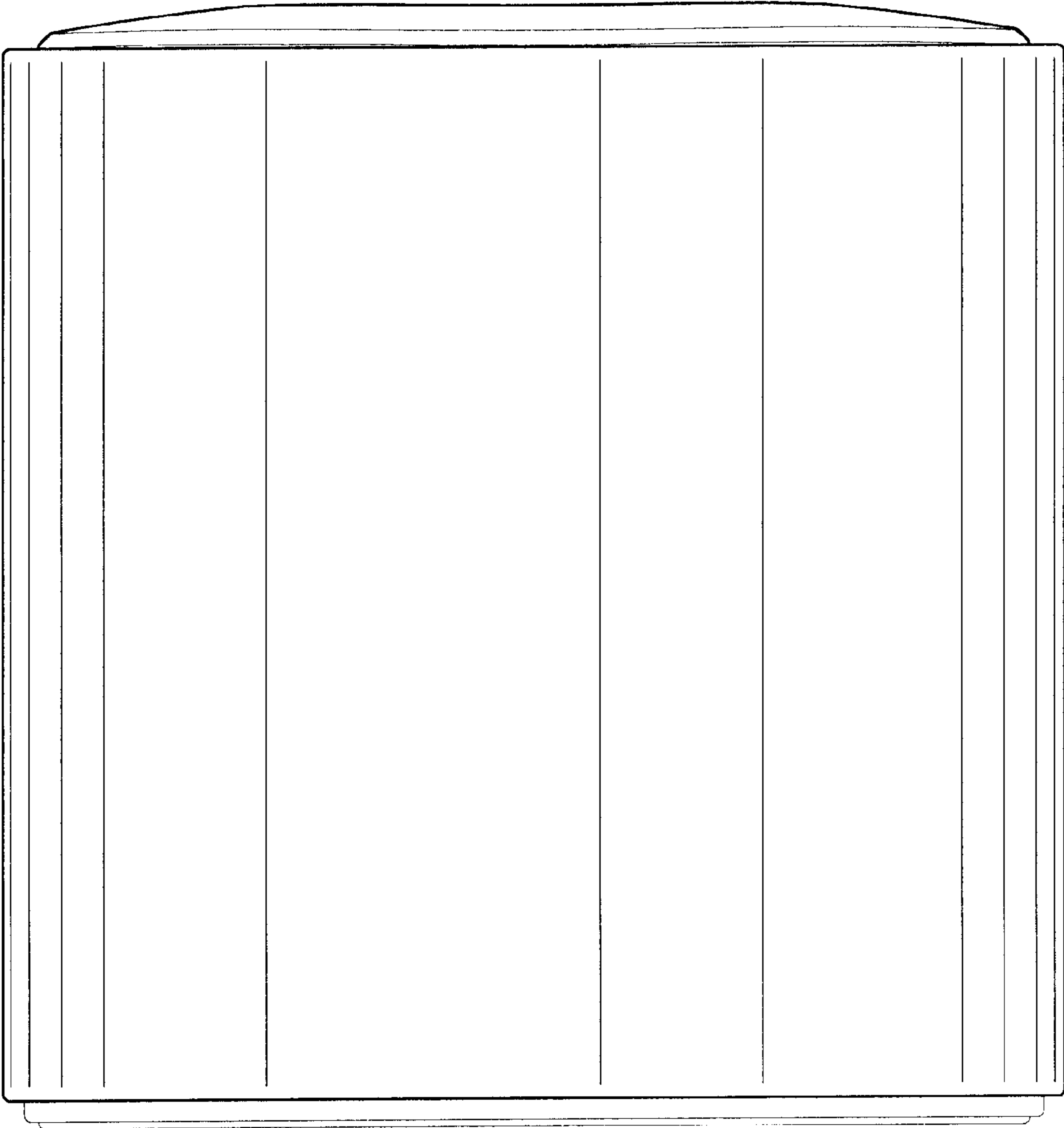


FIG. 3

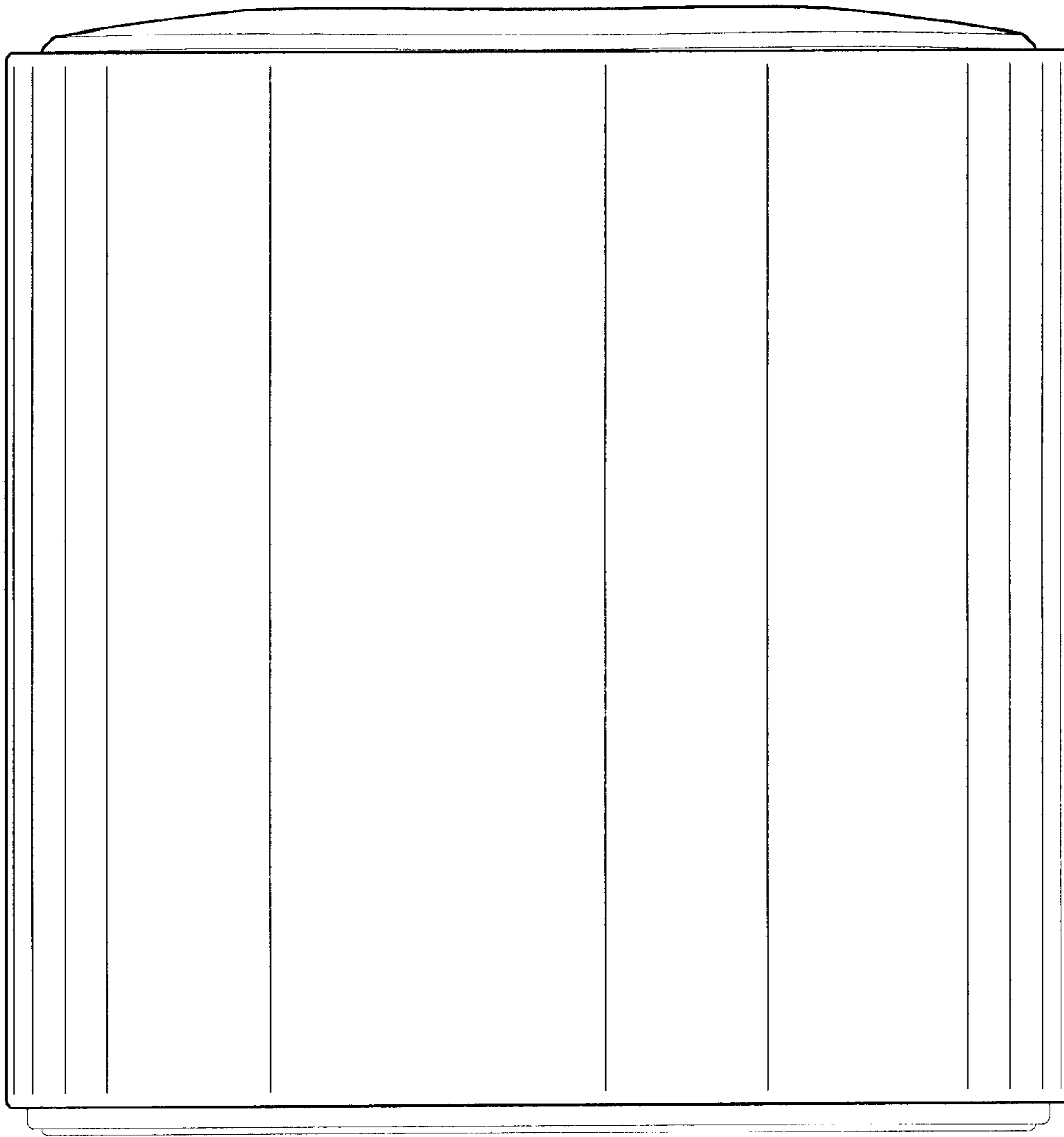


FIG. 4

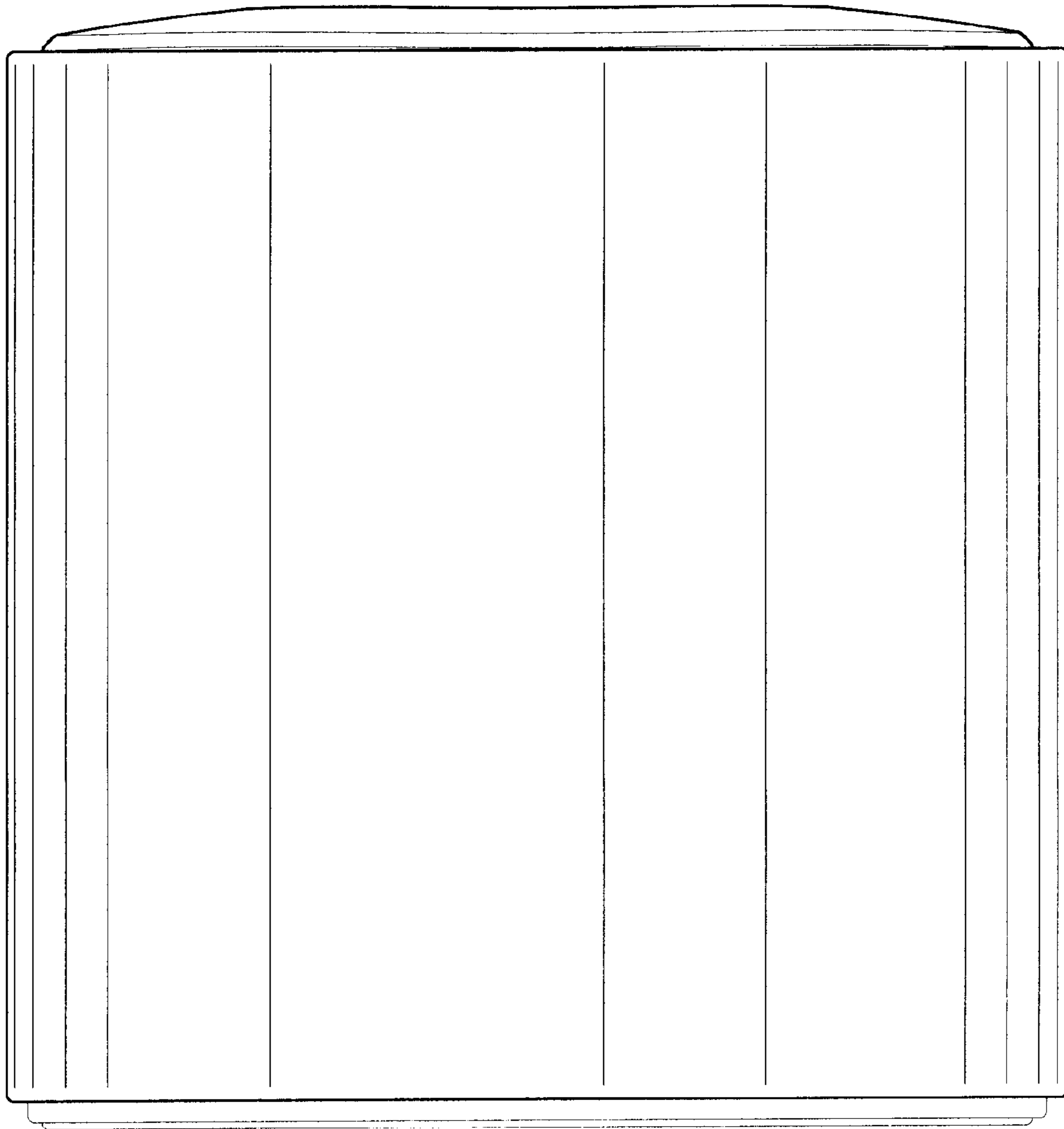


FIG. 5

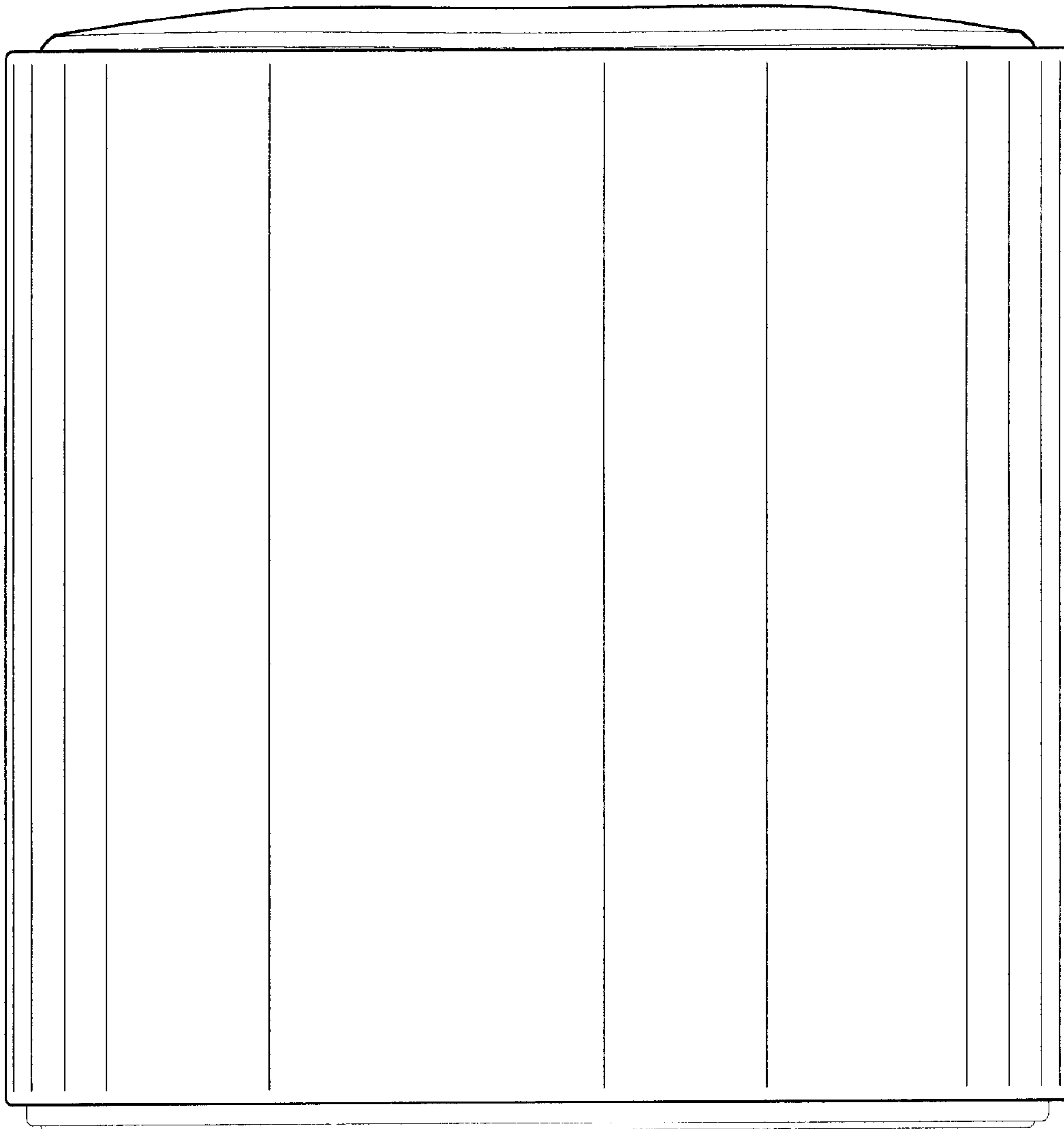


FIG. 6

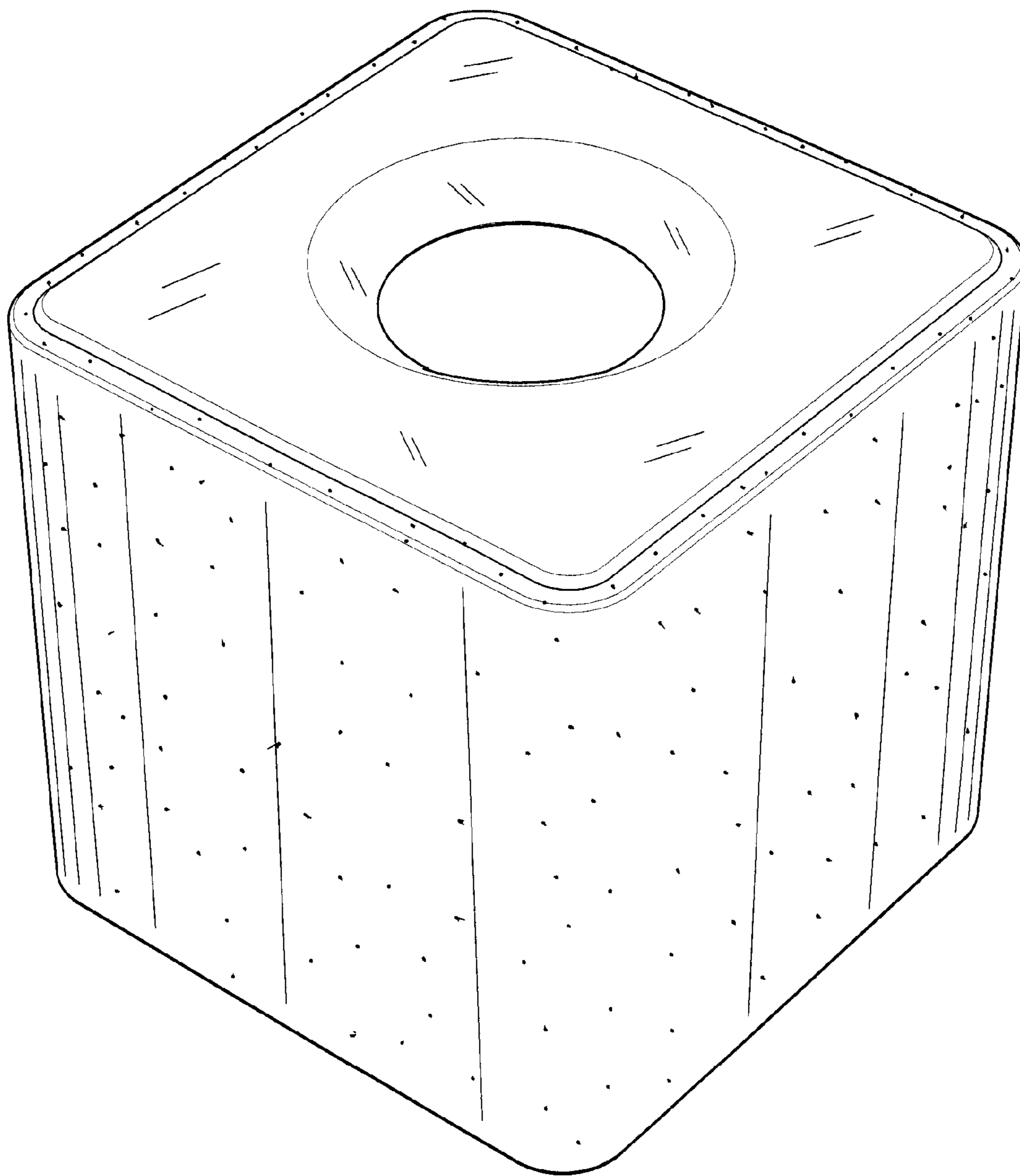


FIG. 7



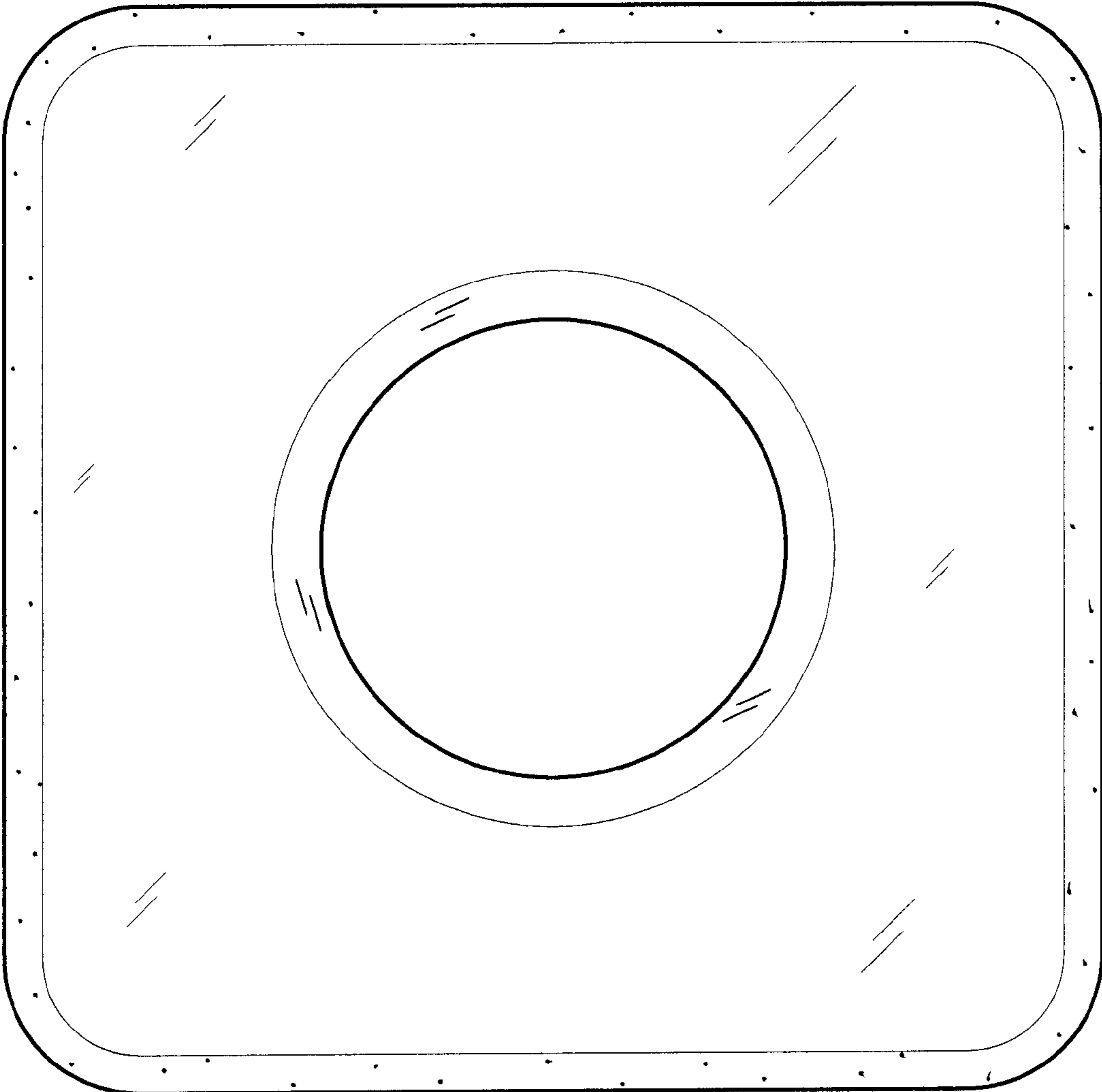


FIG. 8

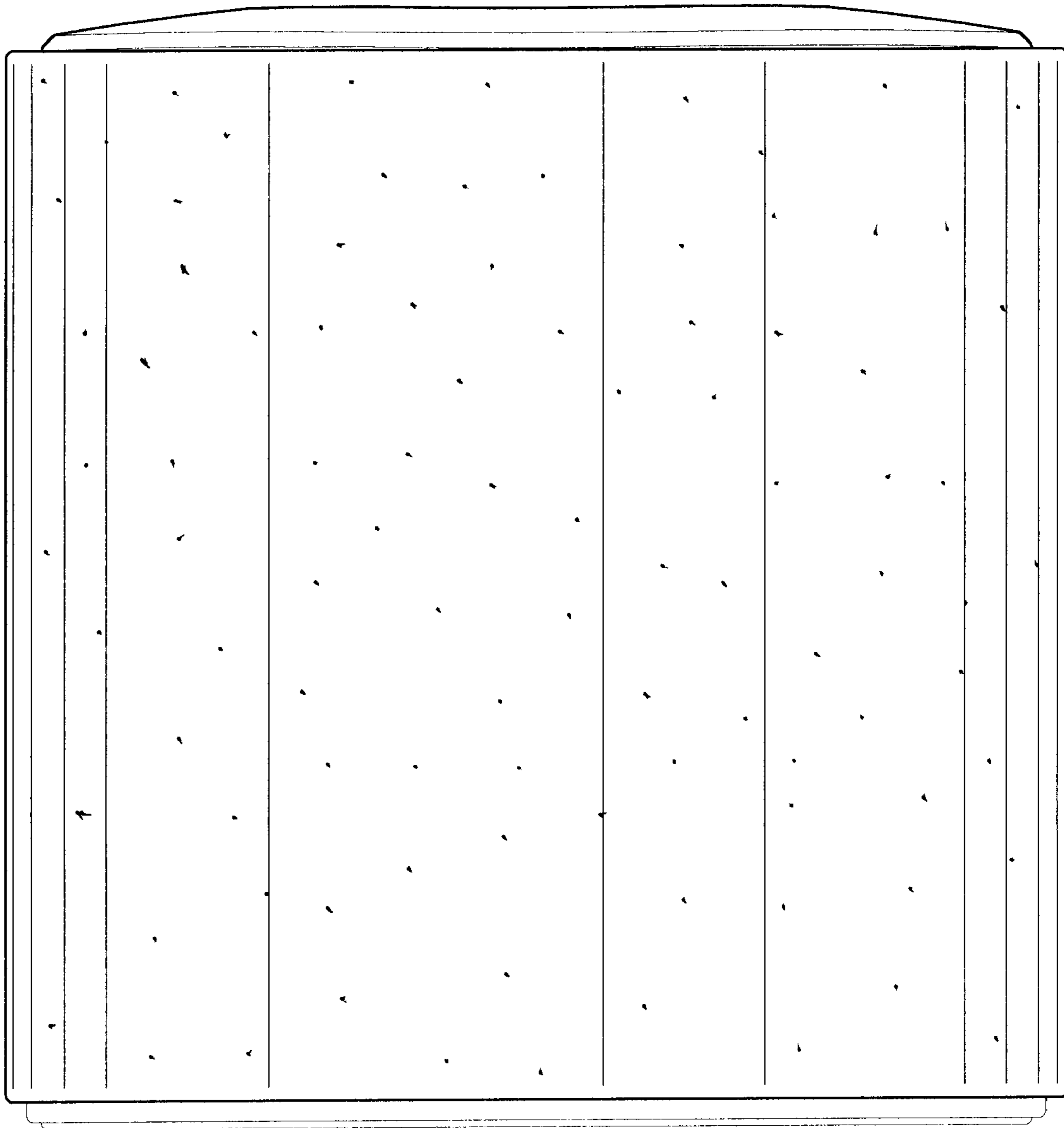


FIG. 9

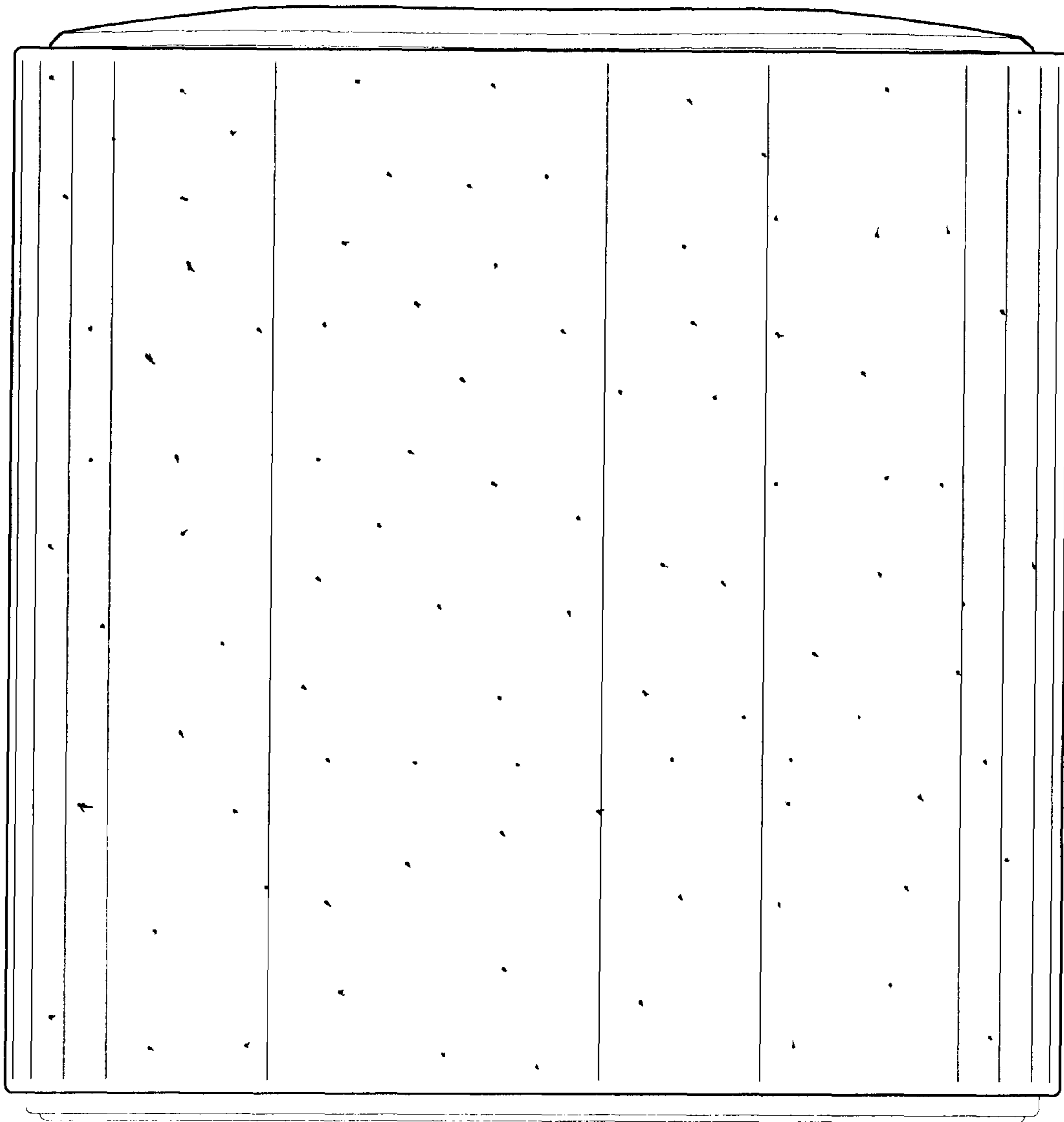


FIG. 10

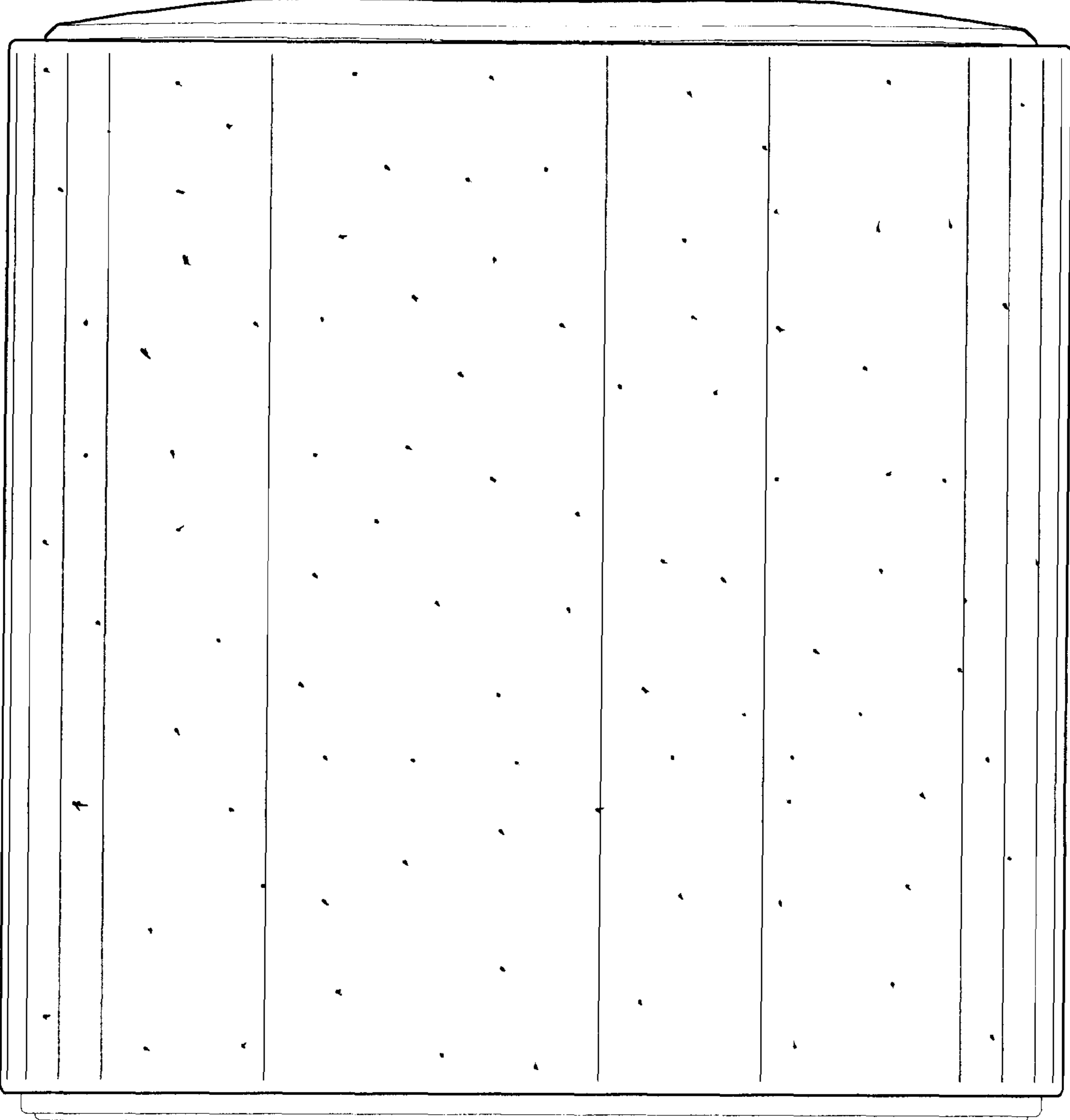


FIG. 11

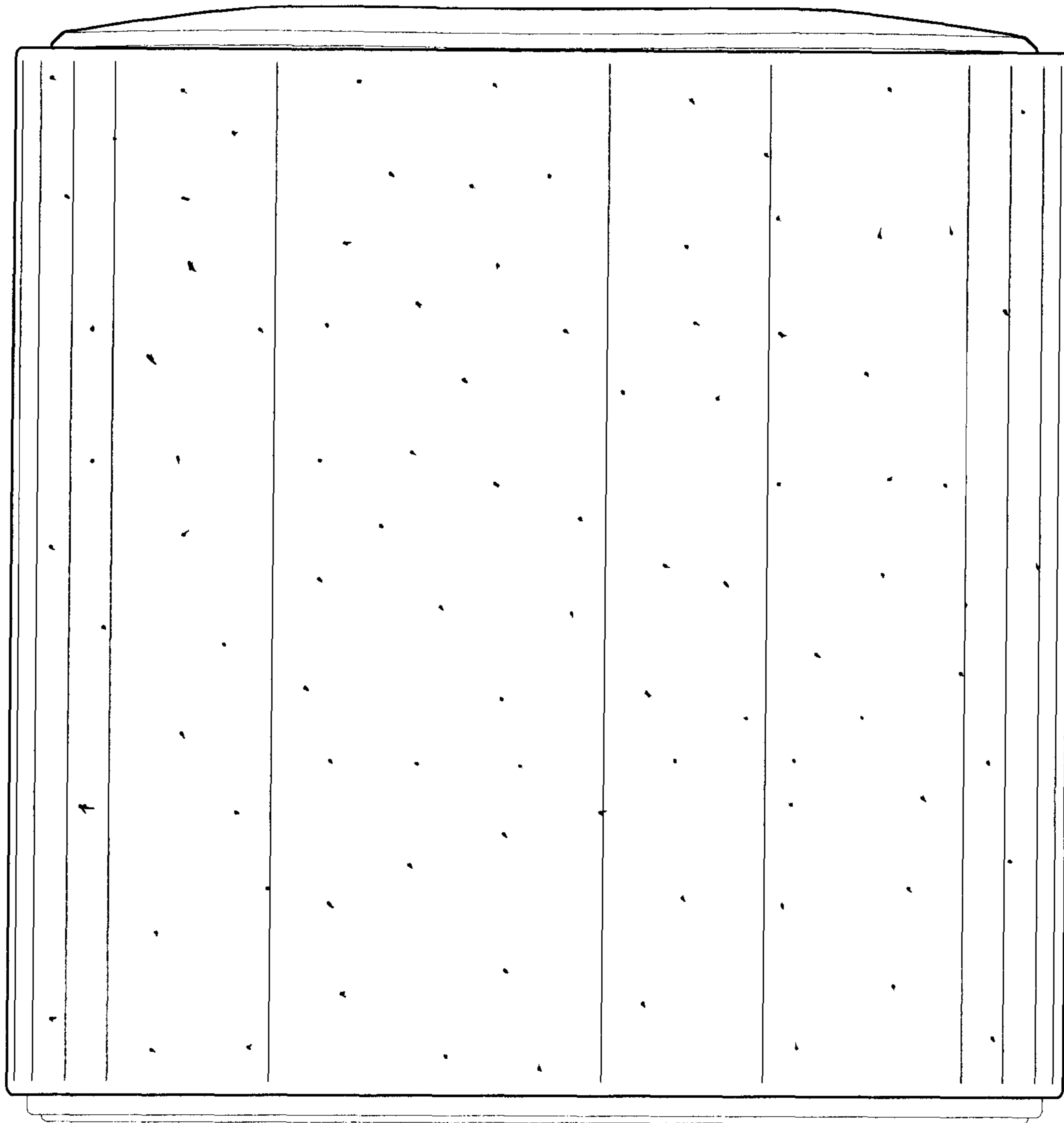


FIG. 12