



US00D631265S

(12) **United States Design Patent**  
**Sexton**

(10) **Patent No.:** **US D631,265 S**  
(45) **Date of Patent:** **\*\* Jan. 25, 2011**

- (54) **TV STAND**
- (75) Inventor: **James S. Sexton**, San Ramon, CA (US)
- (73) Assignee: **Z-Line Designs, Inc.**, San Ramon, CA (US)
- (\*\*) Term: **14 Years**
- (21) Appl. No.: **29/366,615**
- (22) Filed: **Jul. 27, 2010**
- (51) **LOC (9) Cl.** ..... **06-04**
- (52) **U.S. Cl.** ..... **D6/477**
- (58) **Field of Classification Search** ..... D6/477-479,  
D6/474, 460-461, 466, 468, 511; 108/59,  
108/91-92, 96; 211/40, 41.12, 42, 49.1,  
211/50, 85.2, 187, 190; 312/9.1, 7.2, 107,  
312/204, 238  
See application file for complete search history.

- D525,054 S \* 7/2006 Stenhouse et al. .... D6/479
- D531,837 S \* 11/2006 Sexton ..... D6/474
- D539,057 S \* 3/2007 Senda et al. .... D6/477
- D539,565 S 4/2007 Sexton
- D572,944 S 7/2008 Sexton
- D575,557 S 8/2008 Sexton
- D580,684 S 11/2008 Sexton
- D587,496 S \* 3/2009 Weitz ..... D6/477
- D591,089 S 4/2009 Sexton
- D593,776 S 6/2009 Sexton
- D594,001 S 6/2009 Sexton
- D599,584 S \* 9/2009 Zambelli ..... D6/477
- D600,946 S \* 9/2009 Day ..... D6/479
- D607,671 S 1/2010 Sexton
- D609,942 S 2/2010 Sexton
- D612,172 S \* 3/2010 Portnoy ..... D6/477

(Continued)

*Primary Examiner*—Elizabeth A Albert  
*Assistant Examiner*—Kelley A Donnelly  
(74) *Attorney, Agent, or Firm*—Townsend and Townsend and Crew LLP

(56) **References Cited**

U.S. PATENT DOCUMENTS

- D472,074 S \* 3/2003 de Carolis ..... D6/479
- D472,075 S \* 3/2003 de Carolis ..... D6/479
- D489,548 S \* 5/2004 Malizia ..... D6/477
- D491,385 S 6/2004 Sexton
- D497,060 S \* 10/2004 Chang ..... D6/477
- D497,061 S \* 10/2004 Decarolis ..... D6/479
- D497,740 S 11/2004 Sexton
- D497,741 S 11/2004 Sexton
- D498,946 S 11/2004 Sexton
- D501,740 S 2/2005 Sexton
- D502,027 S 2/2005 Sexton
- D502,341 S 3/2005 Sexton
- D505,807 S \* 6/2005 Goto et al. .... D6/477
- D506,329 S \* 6/2005 Sexton ..... D6/477
- D507,900 S 8/2005 Sexton
- D507,901 S \* 8/2005 Wicha ..... D6/477
- D508,800 S 8/2005 Sexton
- D509,083 S 9/2005 Sexton
- D516,839 S \* 3/2006 Wicha ..... D6/477
- D517,350 S 3/2006 Sexton
- D517,837 S \* 3/2006 Takatsuki et al. .... D6/477
- D519,756 S 5/2006 Sexton
- D524,080 S \* 7/2006 Stenhouse et al. .... D6/479

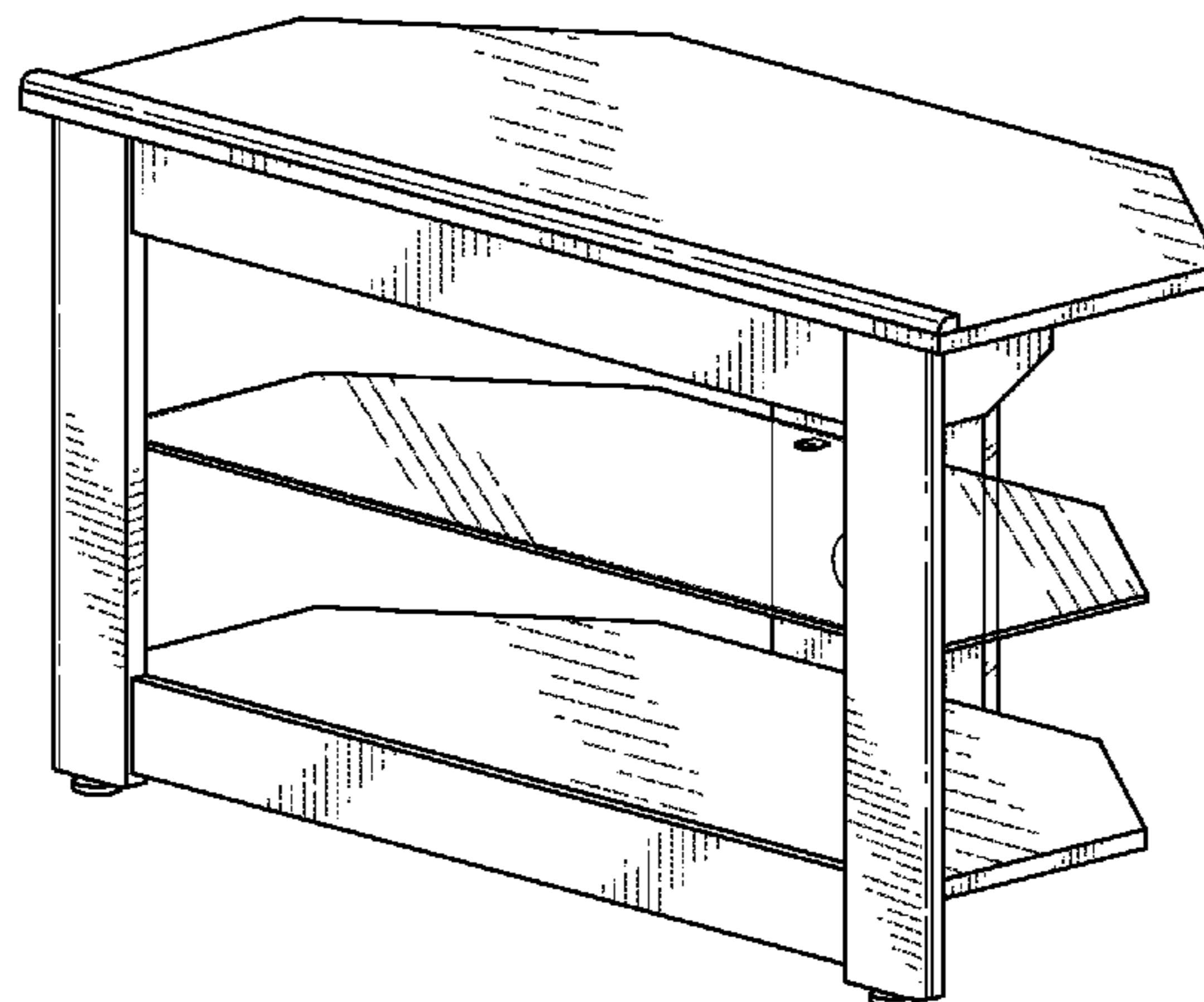
(57) **CLAIM**

The ornamental design for a TV stand, as shown and described.

**DESCRIPTION**

FIG. 1 is a perspective view of a TV stand showing my new design;  
FIG. 2 is a front elevational view thereof;  
FIG. 3 is a rear elevational view thereof;  
FIG. 4 is a left side elevational view thereof;  
FIG. 5 is a right side elevational view thereof;  
FIG. 6 is a top plan view thereof; and,  
FIG. 7 is a bottom plan view thereof.  
The broken lines are for the purpose of illustrating the environment of the design only and form no part of the claimed design.

**1 Claim, 4 Drawing Sheets**



# US D631,265 S

Page 2

---

## U.S. PATENT DOCUMENTS

D616,672 S *	6/2010	Sculler et al. ....	D6/477	D619,827 S *	7/2010	Sculler et al. ....	D6/477
D618,015 S	6/2010	Sexton		D619,828 S *	7/2010	Connor et al. ....	D6/477

\* cited by examiner

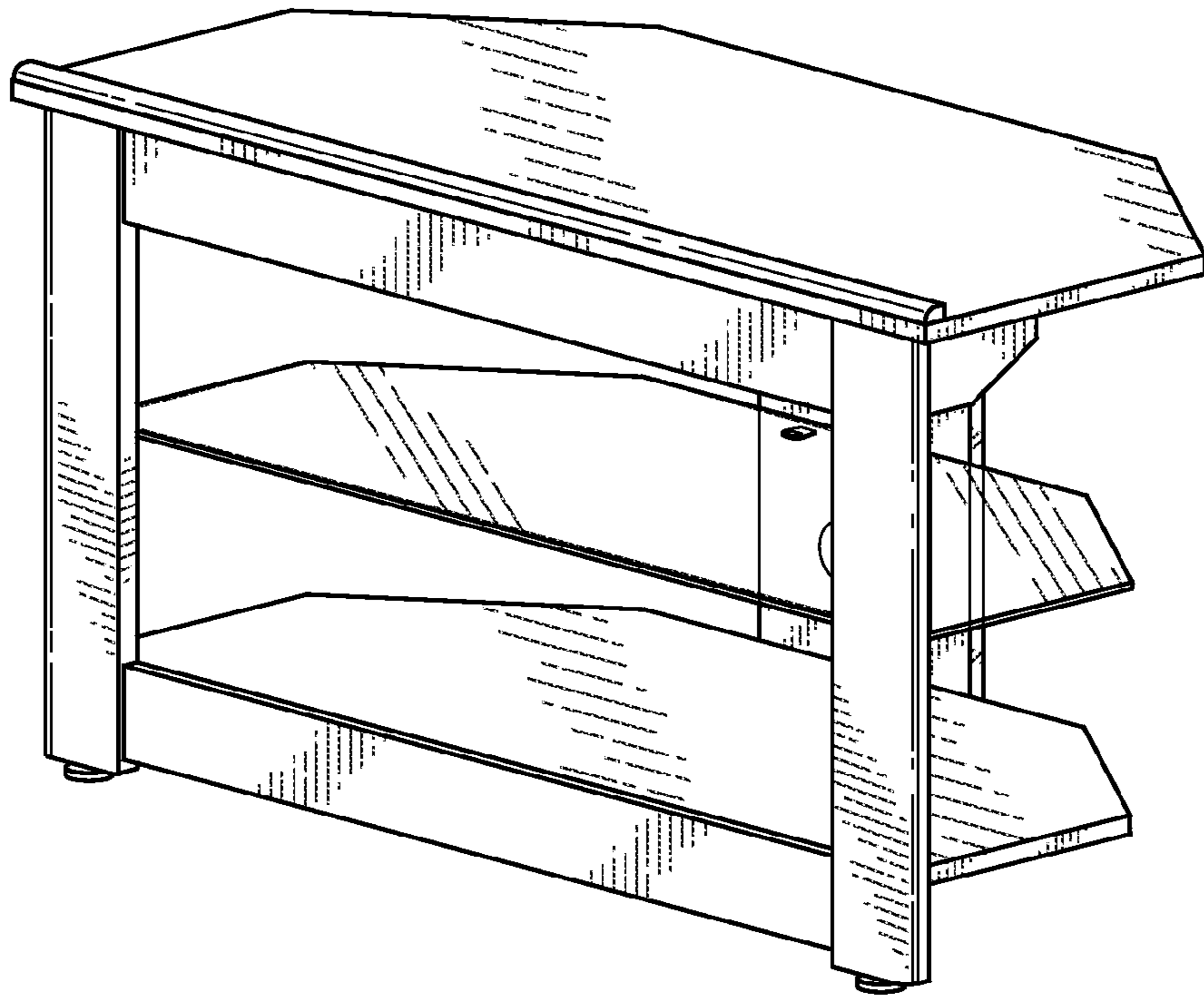


FIG. 1

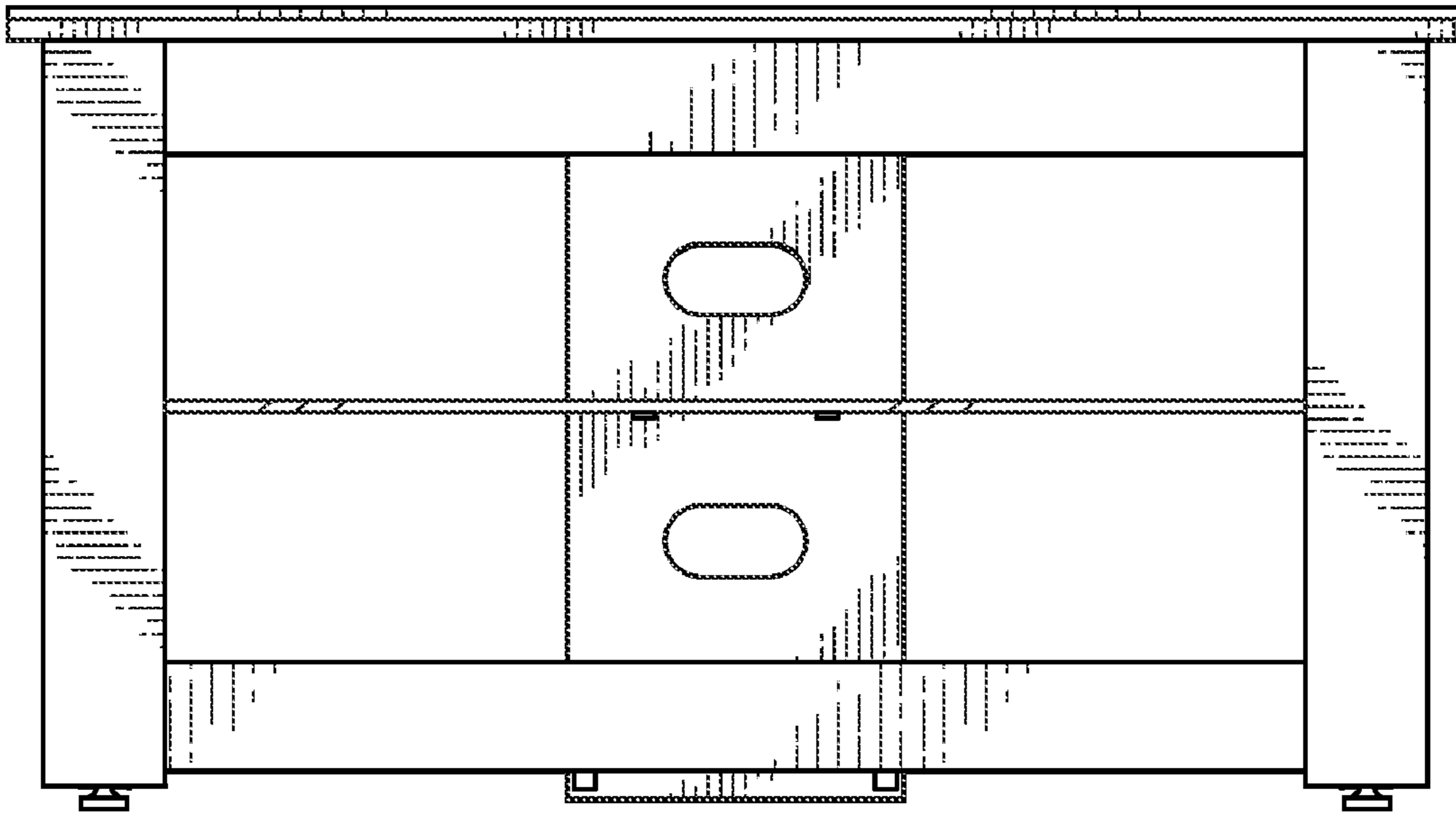


FIG. 2

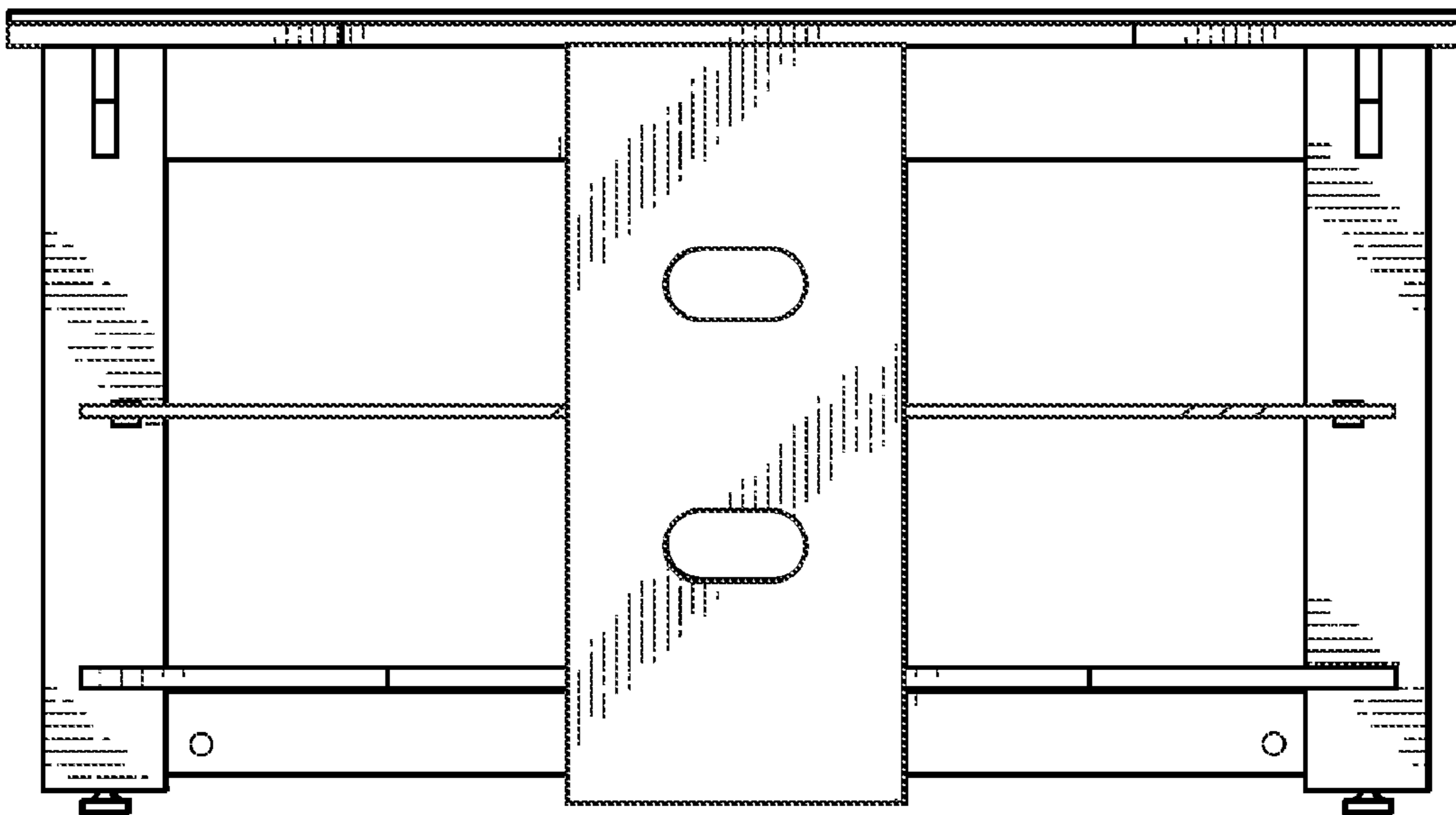


FIG. 3

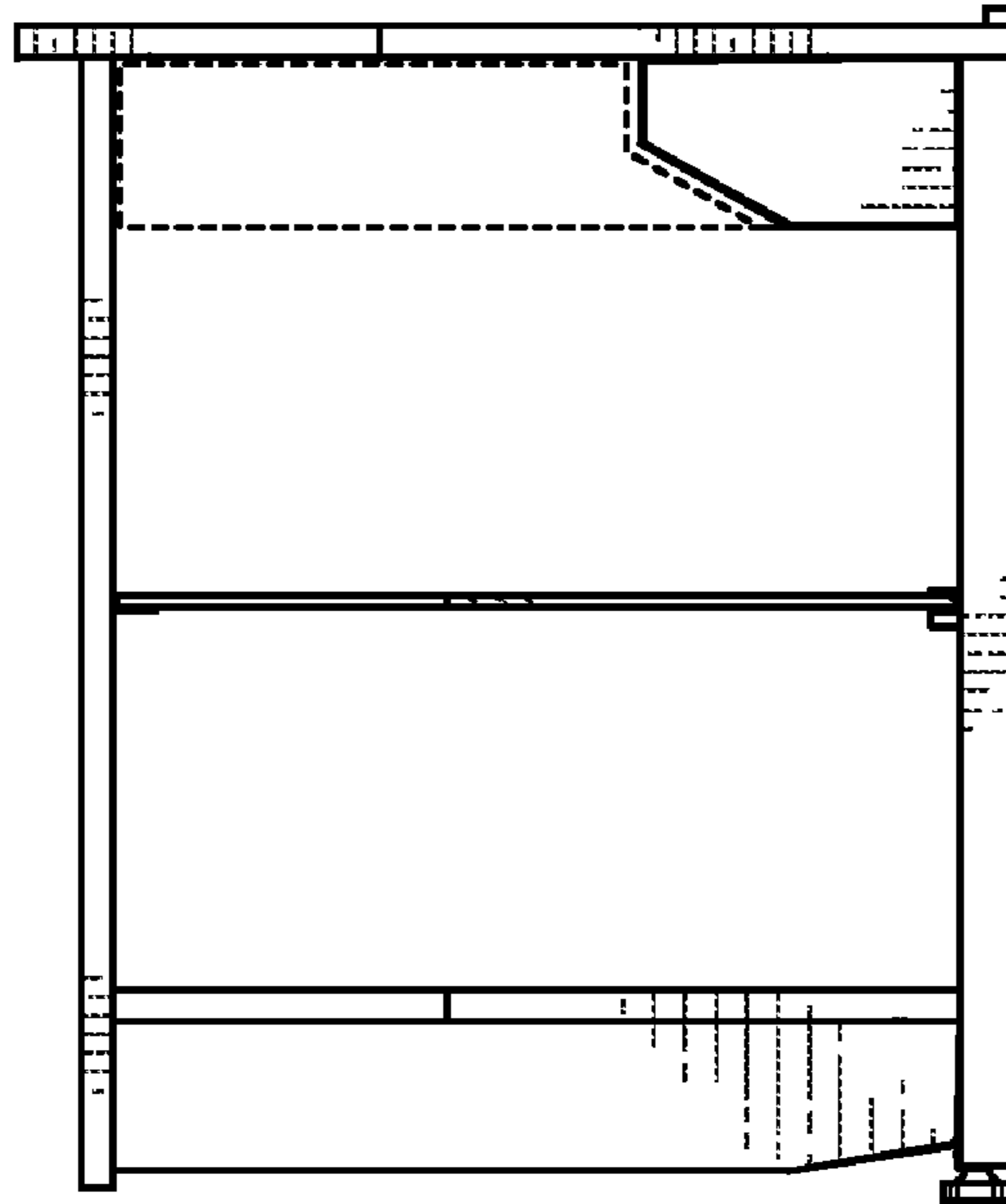


FIG. 4

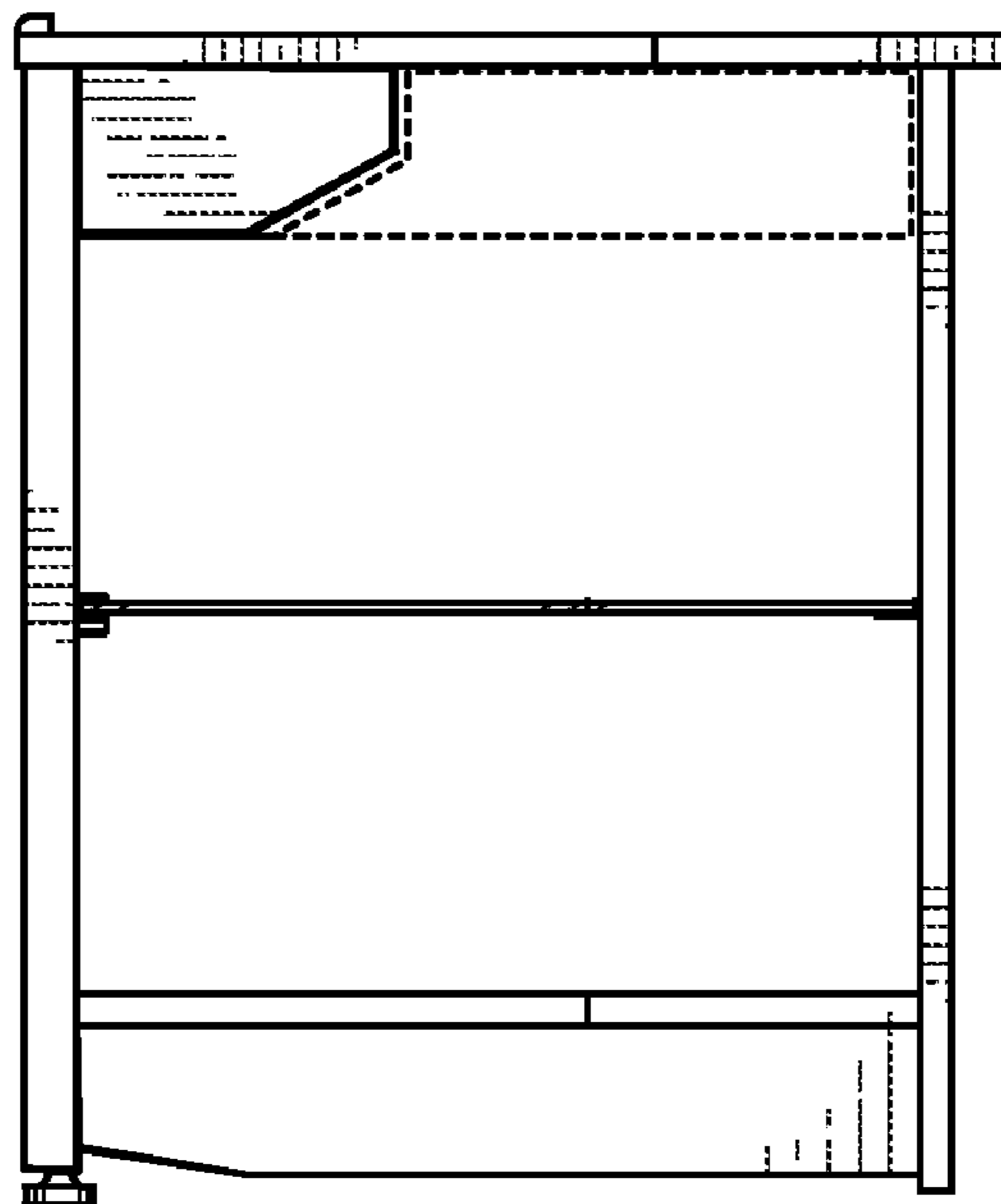


FIG. 5

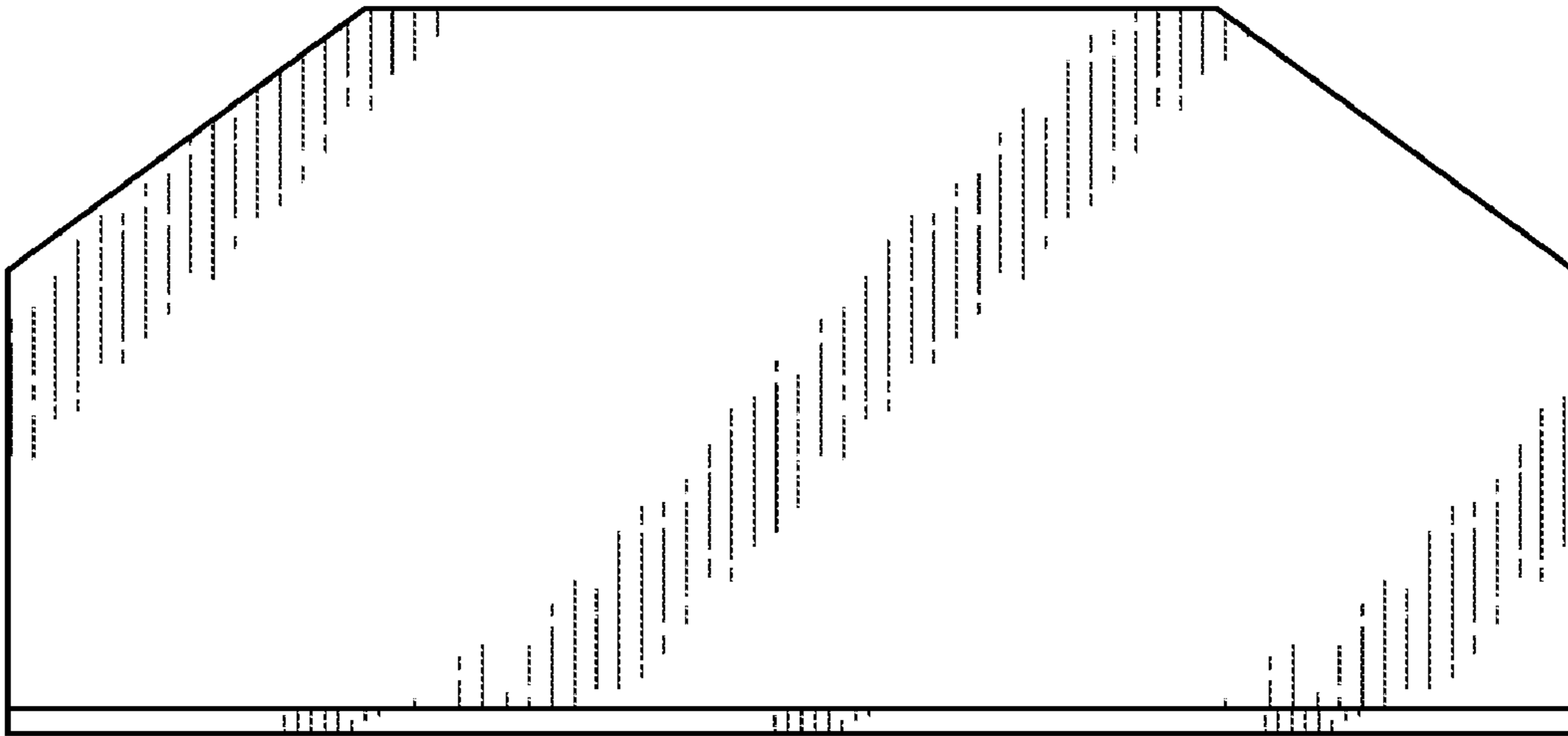


FIG. 6

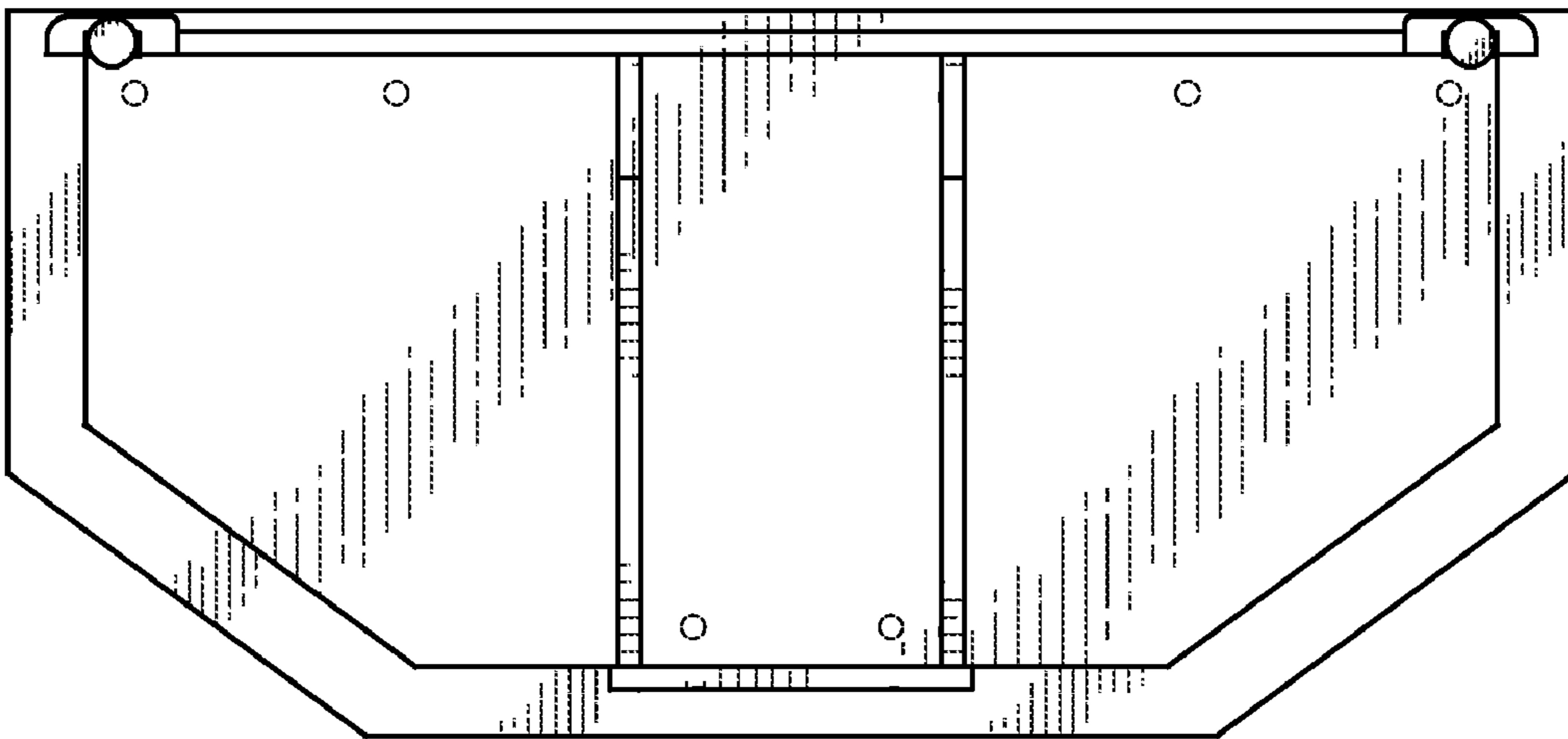


FIG. 7