

US00D631264S

(12) **United States Design Patent**
Kruse

(10) **Patent No.:** **US D631,264 S**
(45) **Date of Patent:** **** Jan. 25, 2011**

(54) **SELF-CHECKOUT SYSTEM**

(75) Inventor: **Bernd Kruse**, Altenbeken (DE)

(73) Assignee: **Wincor Nixdorf International GmbH**
(DE)

(**) Term: **14 Years**

(21) Appl. No.: **29/367,744**

(22) Filed: **Aug. 12, 2010**

Related U.S. Application Data

(62) Division of application No. 29/312,056, filed on Sep. 26, 2008.

Foreign Application Priority Data

Mar. 26, 2008 (EM) 000902101

(51) **LOC (9) Cl.** **06-03**

(52) **U.S. Cl.** **D6/402**

(58) **Field of Classification Search** D6/402,
D6/396-397, 436, 470; D18/4.1-4.6, 31.1-3.3;
D99/28, 34, 35; 186/59, 61, 68; 235/1 E,
235/6, 7 R, 50 A, 50 B, 52, 379, 386, 380,
235/381, 53; 221/129-130; 194/206, 217,
194/350; 312/140.1

See application file for complete search history.

(56) **References Cited**

U.S. PATENT DOCUMENTS

D449,726 S * 10/2001 Lin D99/28

D529,255 S * 9/2006 Sato D99/28
D530,880 S * 10/2006 Magee et al. D99/28
D536,192 S * 2/2007 Kruse et al. D6/402
D540,004 S * 4/2007 Kang et al. D99/28
D558,481 S * 1/2008 Dias D6/402
D586,579 S * 2/2009 Hunayama et al. D6/402
D590,626 S * 4/2009 Sato D6/402

* cited by examiner

Primary Examiner—Caron Veynar

Assistant Examiner—Abraham Bahta

(74) *Attorney, Agent, or Firm*—Harness, Dickey & Pierce, P.L.C.

(57) **CLAIM**

The ornamental design for a self-checkout system, as shown and described.

DESCRIPTION

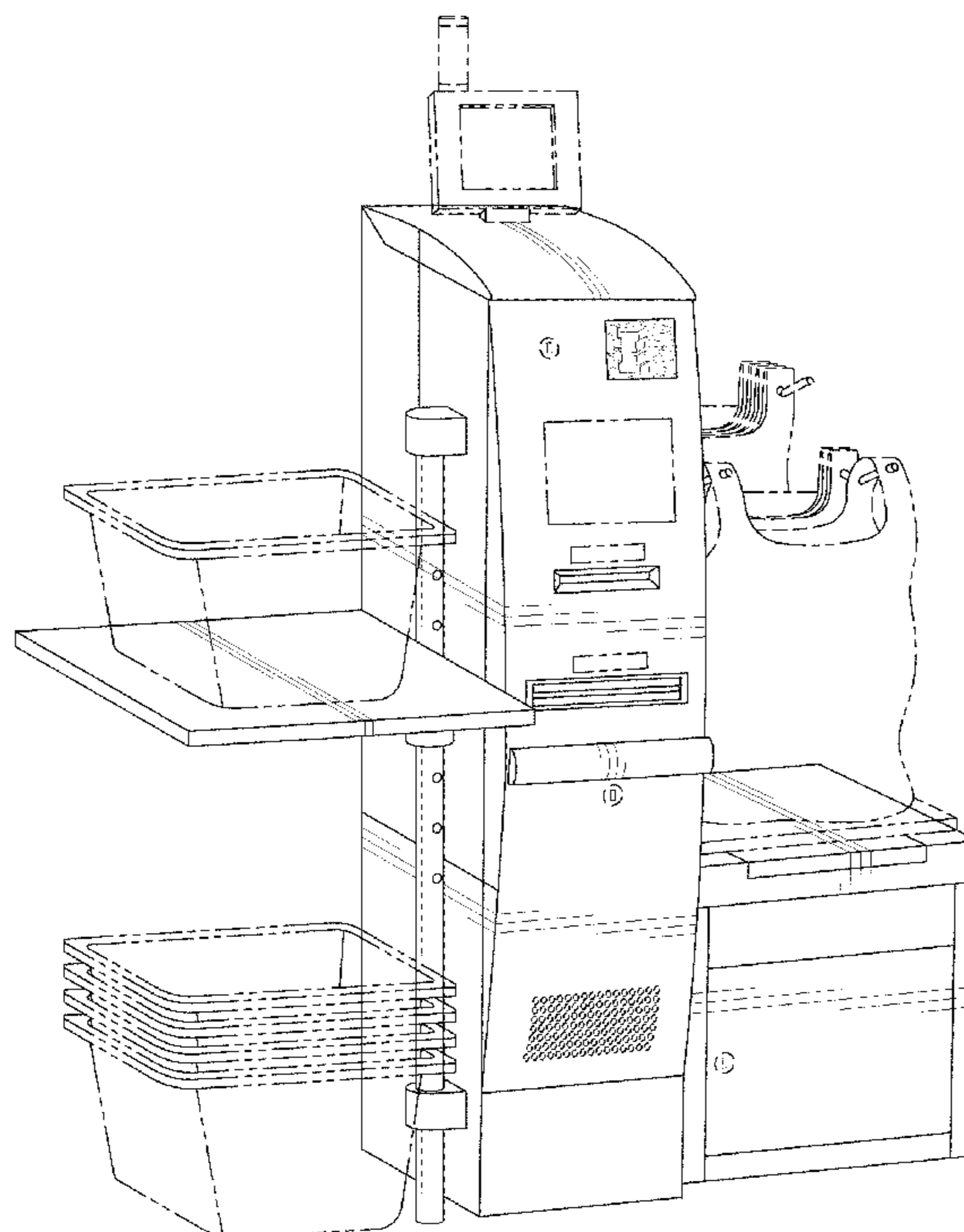
FIG. 1 is a front, top and left side perspective view of a self-checkout system showing my new design;

FIG. 2 is a front view thereof; and,

FIG. 3 is a left side view thereof.

The right side, bottom and rear views of the self-checkout system are non-ornamental and have not been claimed. The broken lines shown in the drawings are for illustrative purposes only and form no part of the claimed design.

1 Claim, 3 Drawing Sheets



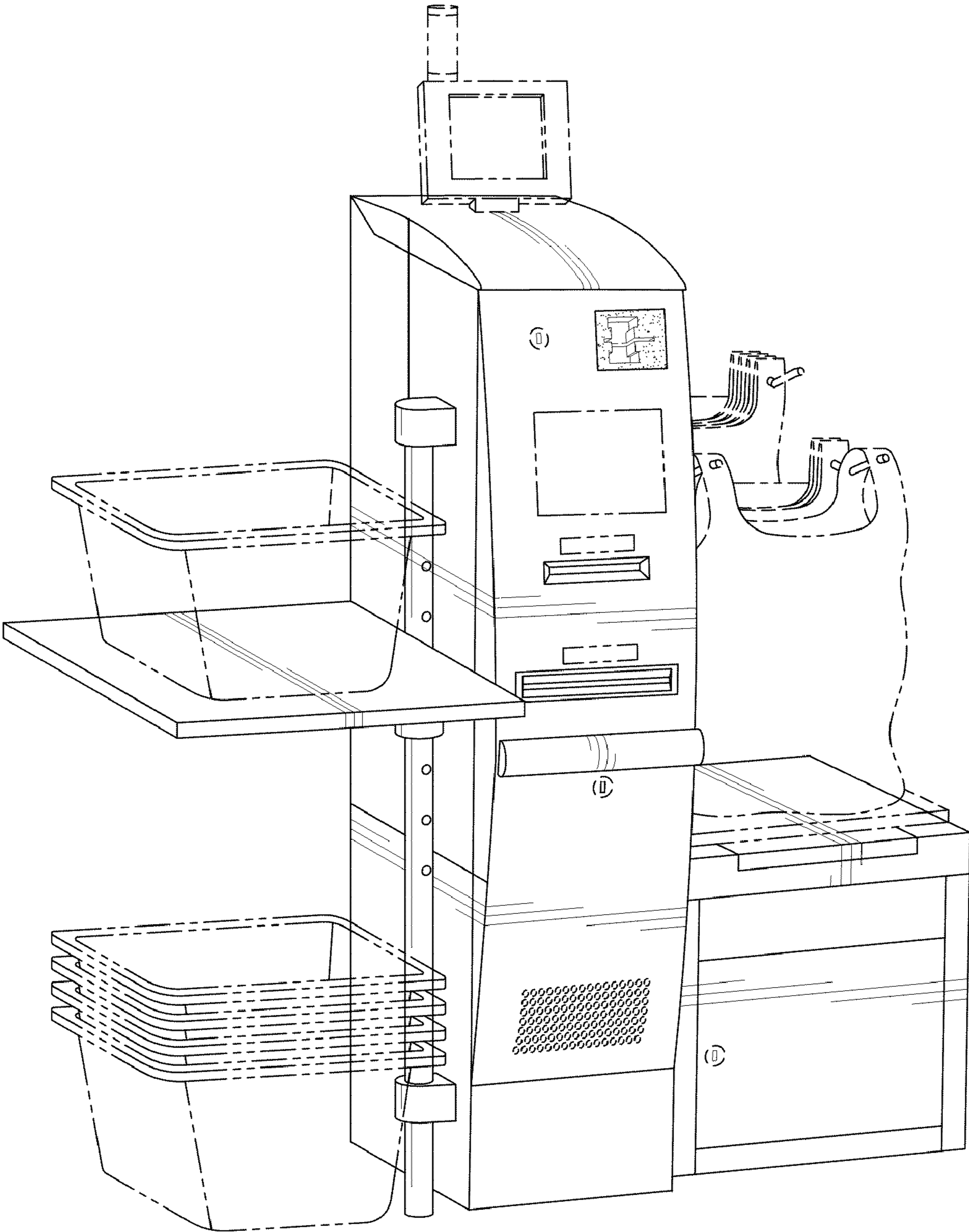


Fig. 1

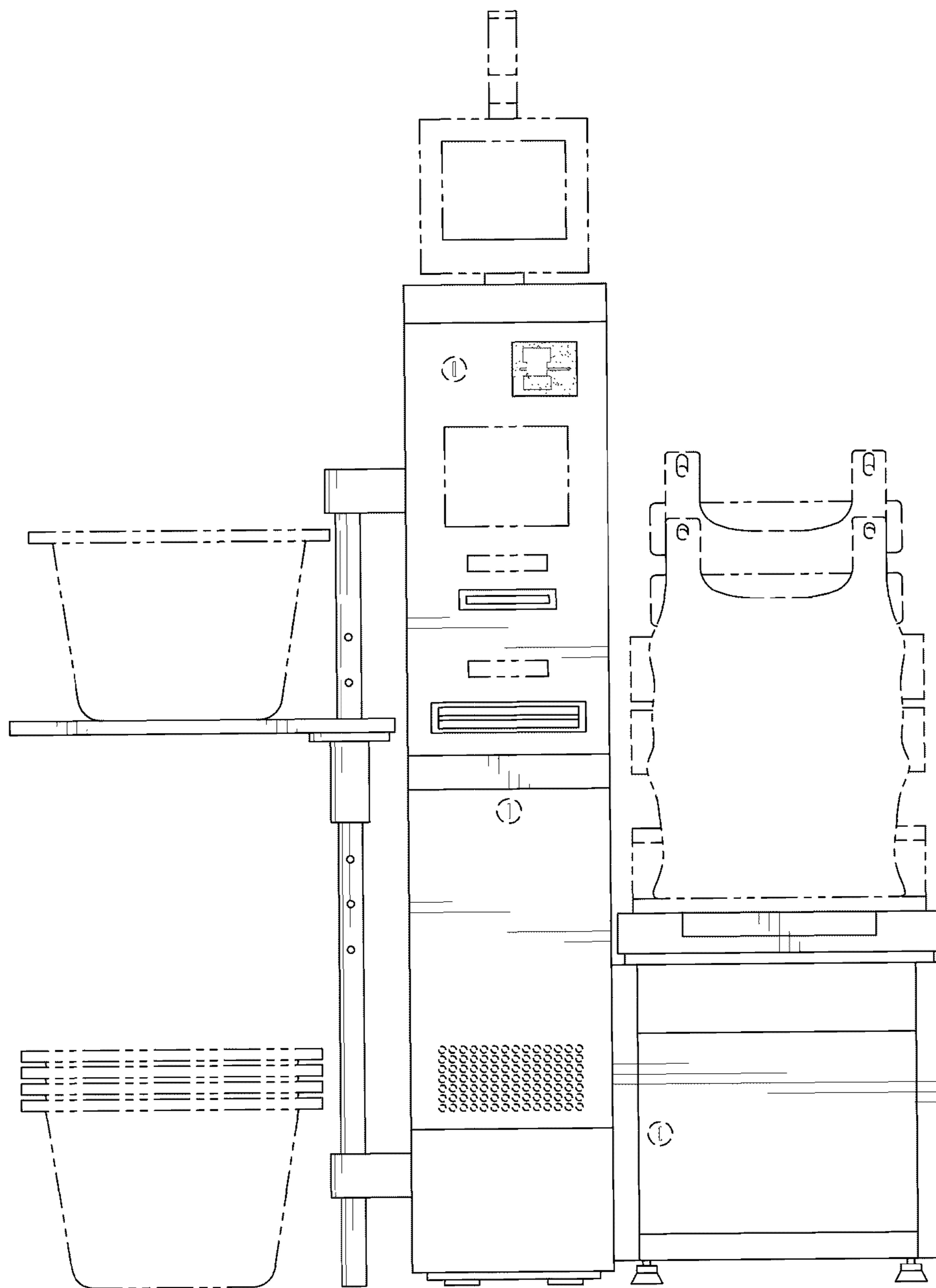


Fig. 2

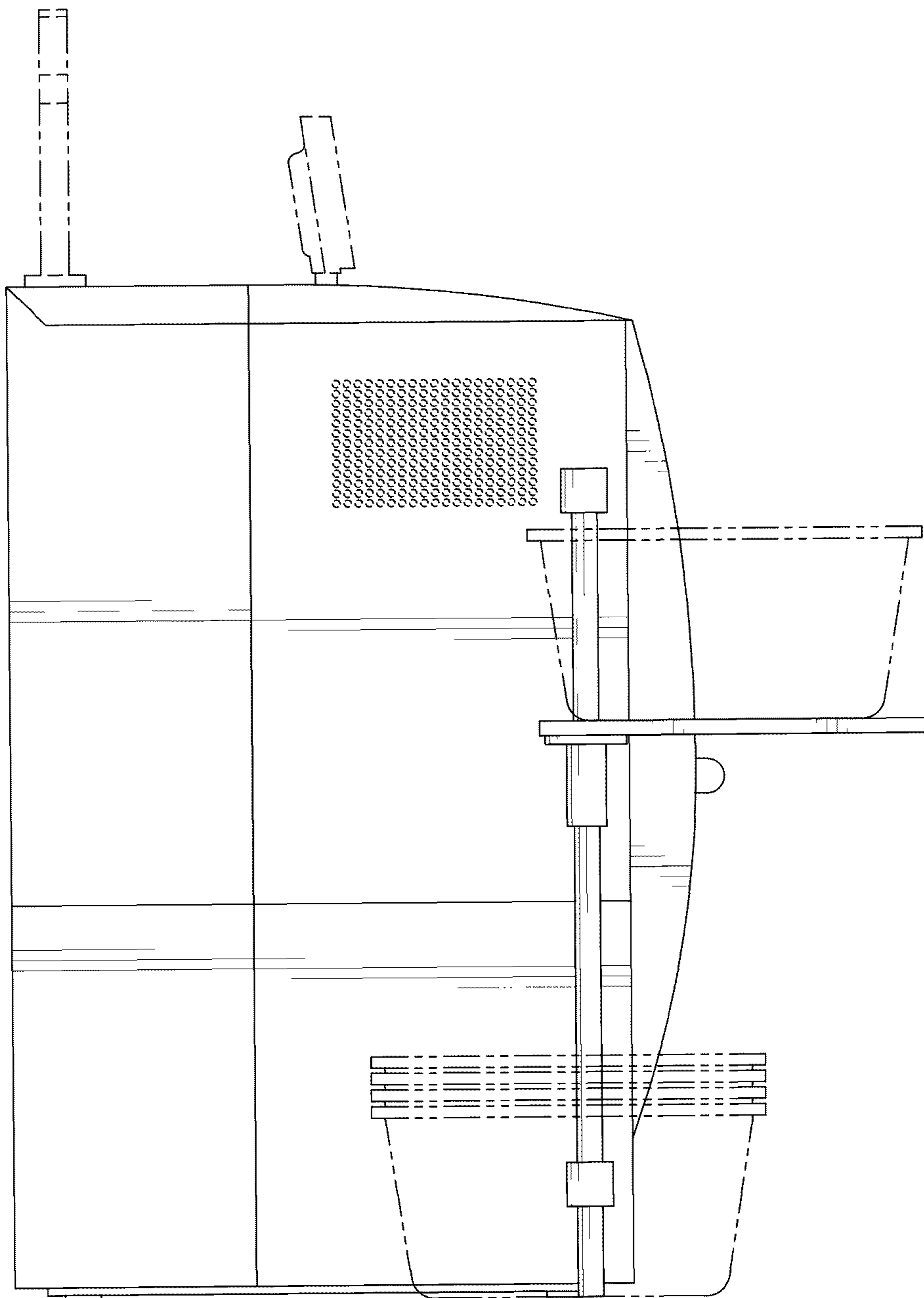


Fig. 3