



US00D631258S

(12) **United States Design Patent**  
**Lin**

(10) **Patent No.:** **US D631,258 S**  
(45) **Date of Patent:** **\*\* Jan. 25, 2011**

(54) **BRUSH HOLDER**

(75) Inventor: **Ralph Lin**, Taipei (TW)

(73) Assignee: **Hanlien International Corp.**, Taipei (TW)

(\*\*) Term: **14 Years**

(21) Appl. No.: **29/350,216**

(22) Filed: **Nov. 12, 2009**

(51) **LOC (9) Cl.** ..... **04-02**

(52) **U.S. Cl.** ..... **D4/138; D30/159**

(58) **Field of Classification Search** ..... D4/127,  
D4/132-134, 136, 138; D7/393, 395, 401.2;  
D8/107, DIG. 4, DIG. 7, DIG. 8; 15/143.1,  
15/145, 159.1, 160, 176.1, 186-188; 16/110.1,  
16/430, DIG. 12, DIG. 19; 81/117.1, 489,  
81/492; D30/159

See application file for complete search history.

(56) **References Cited**

**U.S. PATENT DOCUMENTS**

D495,832 S *	9/2004	Maeda	.....	D28/51
D512,183 S *	11/2005	Nagano et al.	.....	D28/51
D513,541 S *	1/2006	Nishizawa	.....	D28/49
D514,745 S *	2/2006	Nishizawa	.....	D28/49
D582,207 S *	12/2008	Plichon	.....	D7/395
D613,004 S *	3/2010	Lin	.....	D30/159

D613,005 S *	3/2010	Lin	.....	D30/159
D614,819 S *	4/2010	Lin	.....	D30/159
2004/0231160 A1 *	11/2004	Shiba et al.	.....	30/43.92
2005/0016002 A1 *	1/2005	Fukutani et al.	.....	30/527
2009/0272331 A1 *	11/2009	Lin	.....	119/625
2009/0272333 A1 *	11/2009	Lin	.....	119/633

\* cited by examiner

*Primary Examiner*—Cathron C Brooks

*Assistant Examiner*—Barbara Fox

(74) *Attorney, Agent, or Firm*—Apex Juris, pllc; Tracy M Heims

(57) **CLAIM**

The ornamental design for a brush holder, as shown and described.

**DESCRIPTION**

FIG. 1 shows a perspective view of a brush holder of the present design;

FIG. 2 shows a right view thereof;

FIG. 3 shows a top view thereof;

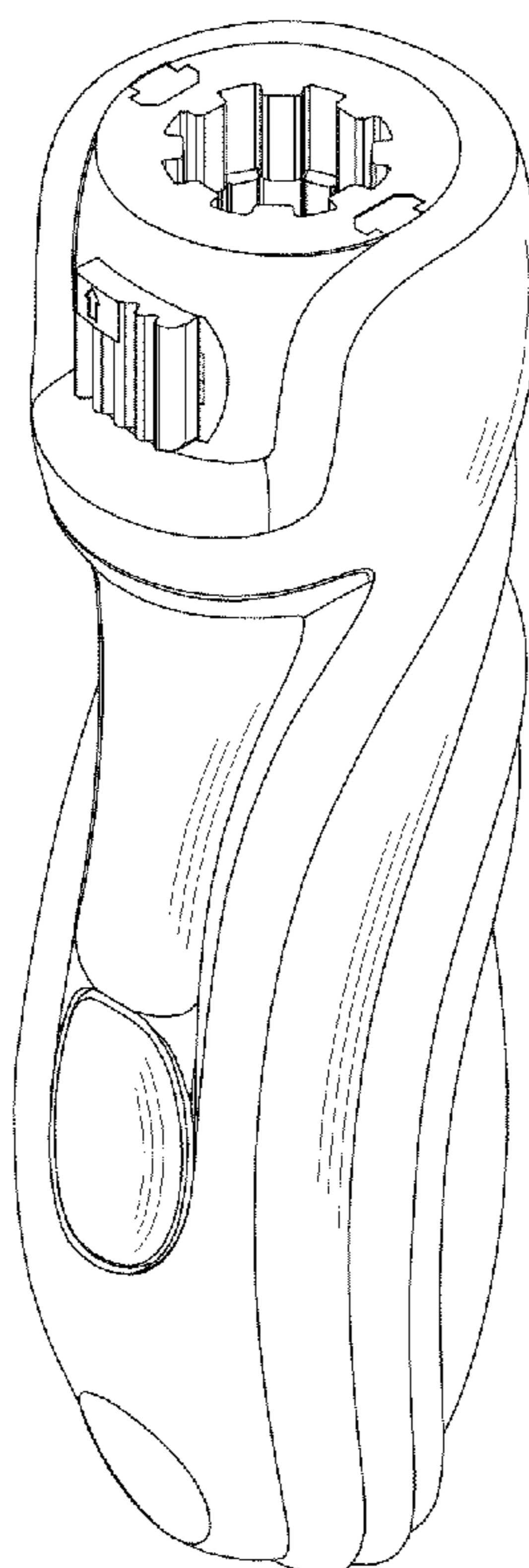
FIG. 4 shows a front view thereof;

FIG. 5 shows a bottom view thereof;

FIG. 6 shows a left view thereof; and,

FIG. 7 shows a rear view thereof.

**1 Claim, 7 Drawing Sheets**



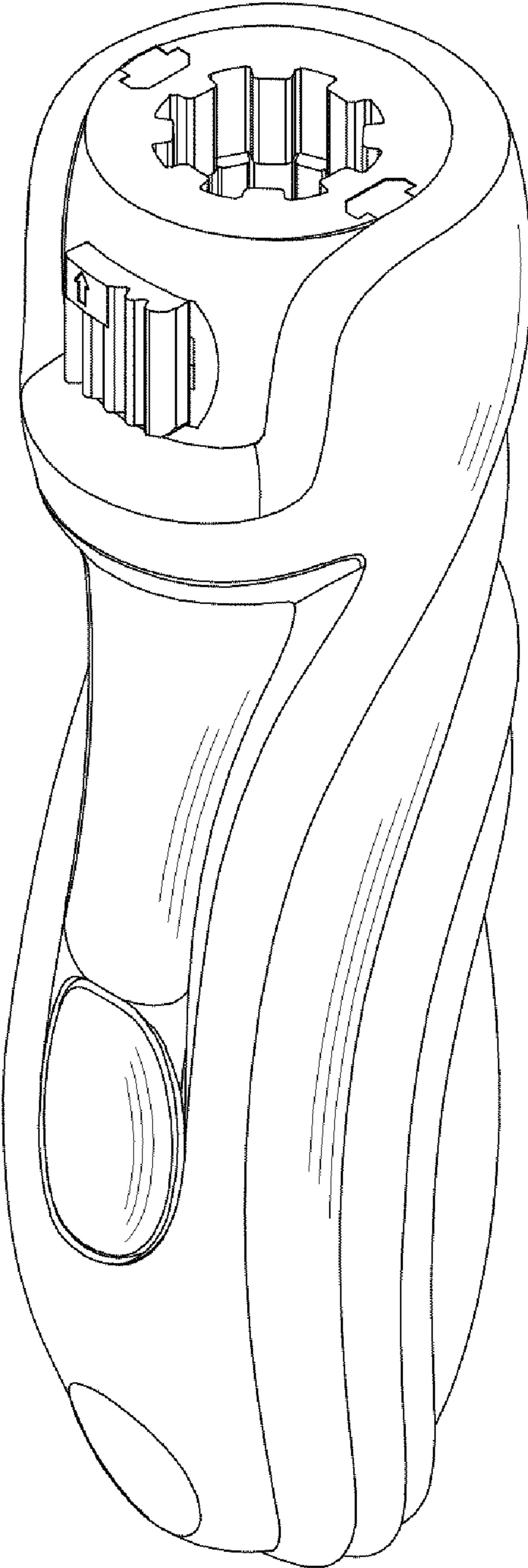


Fig.1

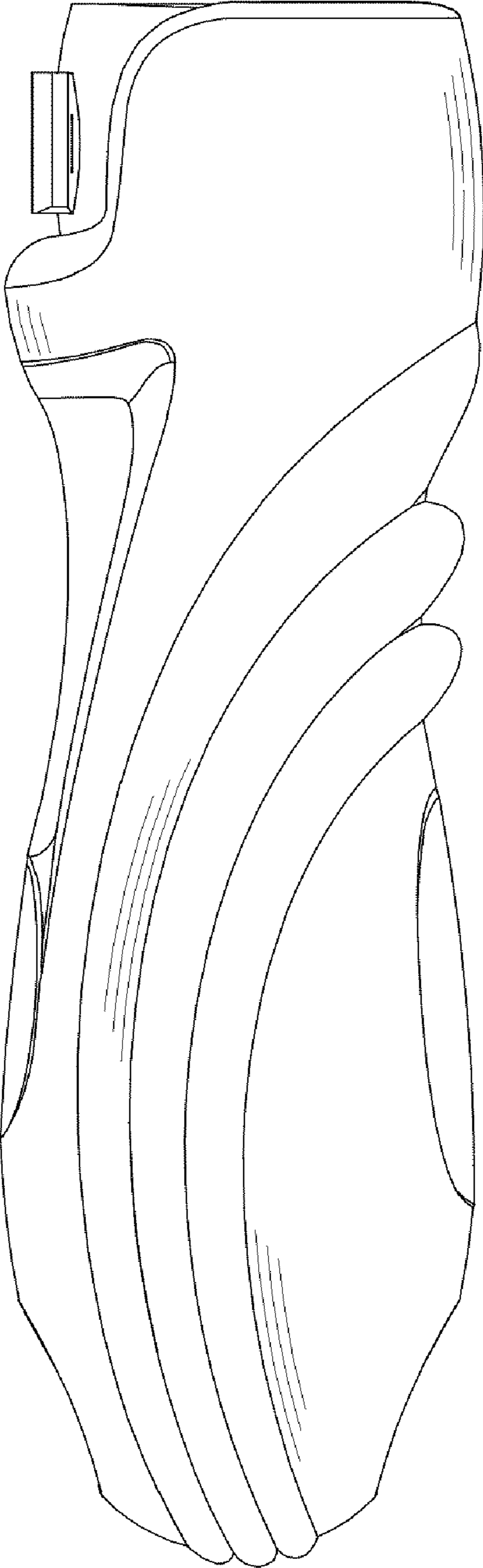


Fig.2

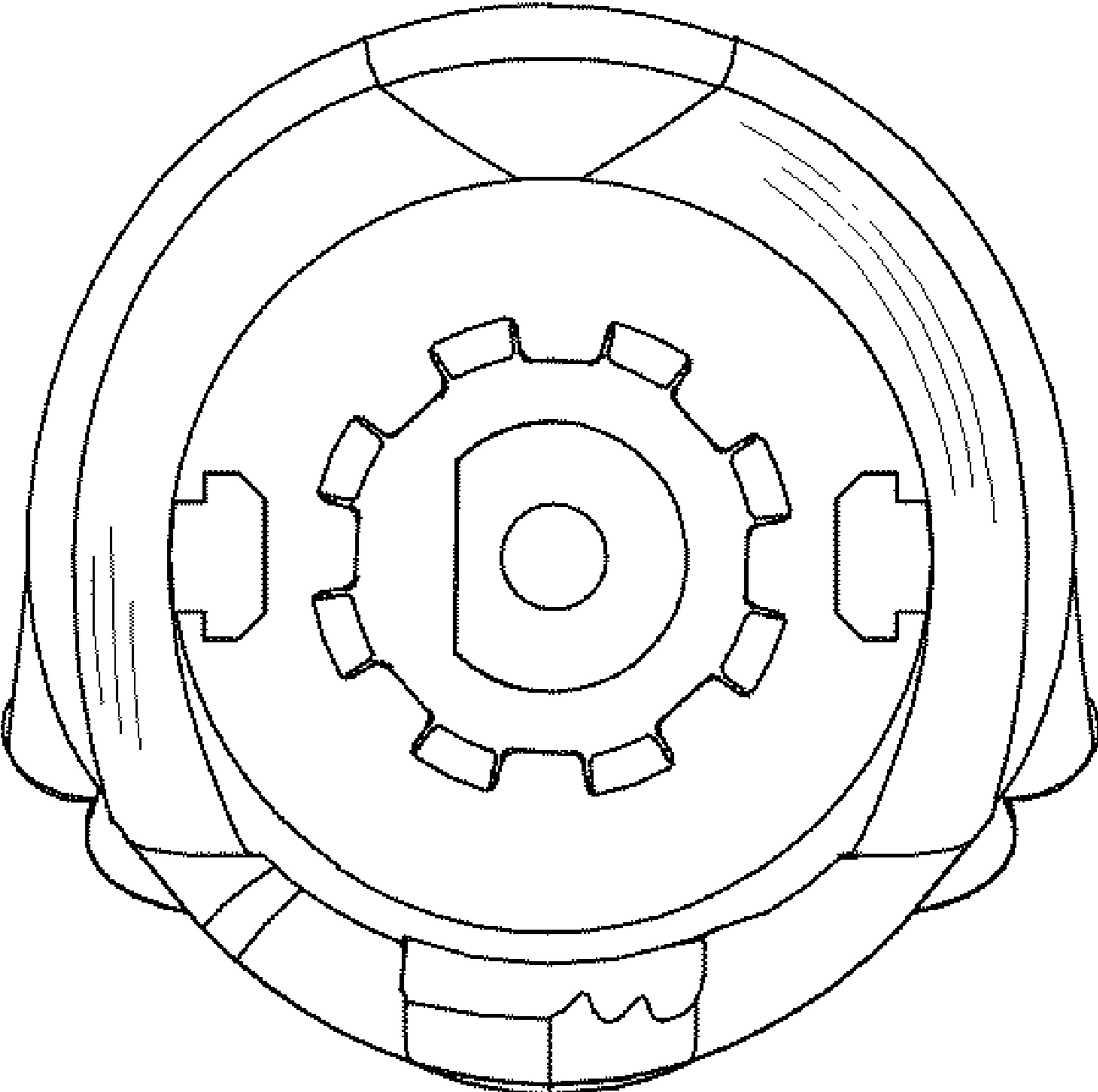


Fig.3

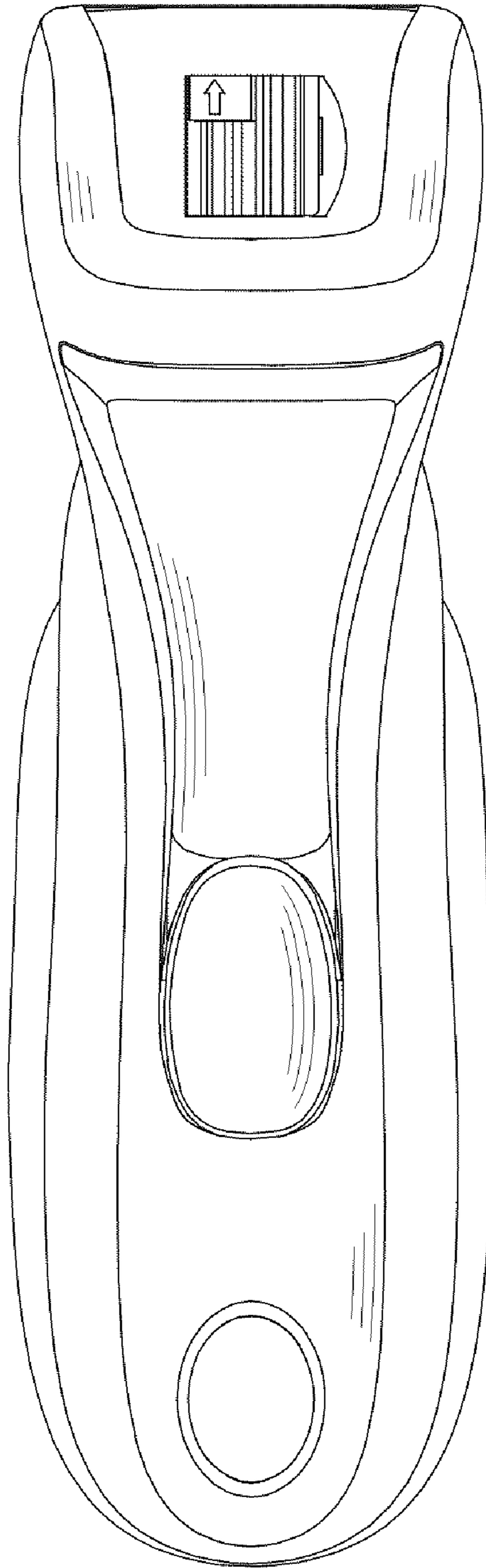


Fig.4

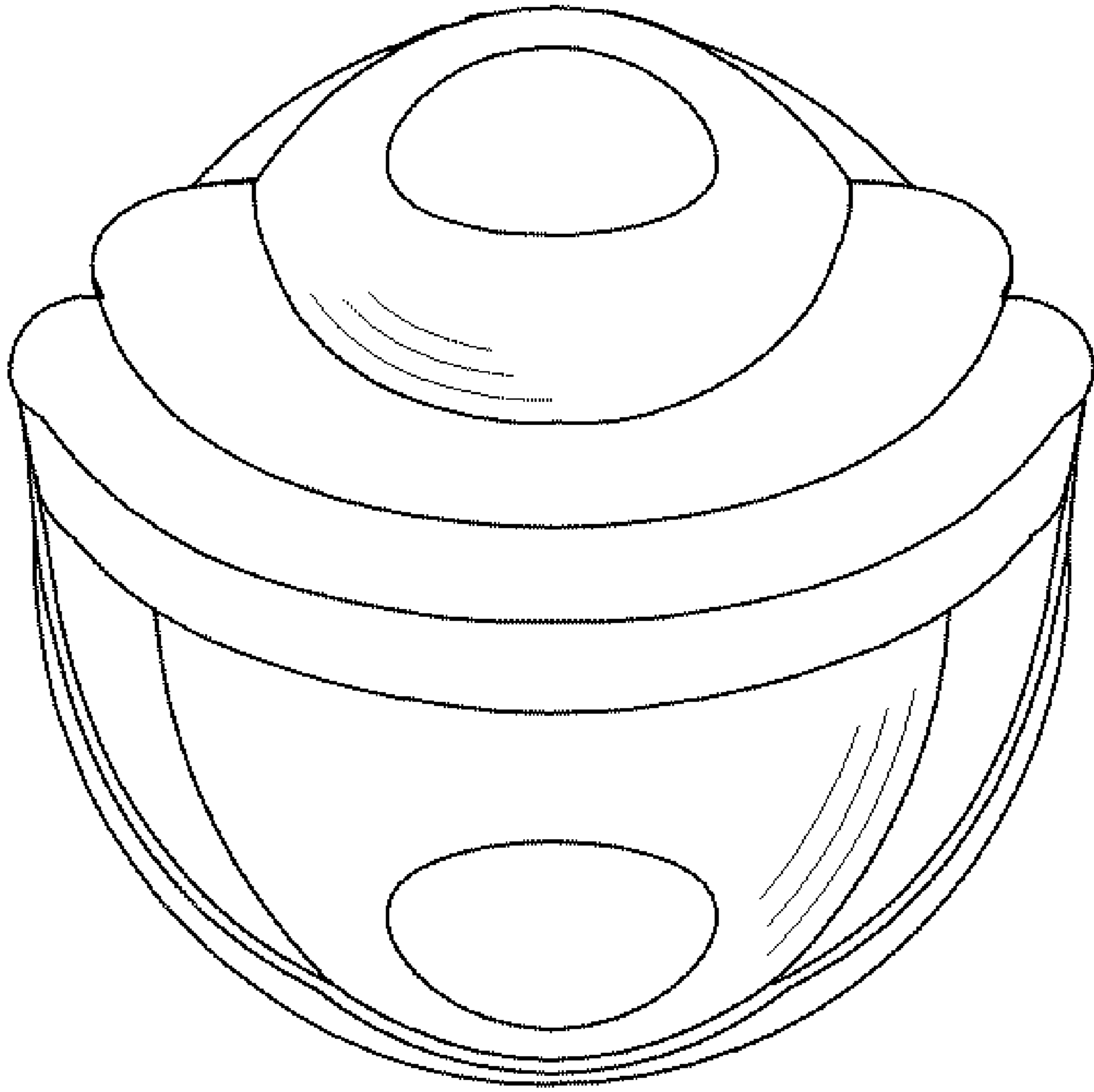


Fig. 5



Fig.6



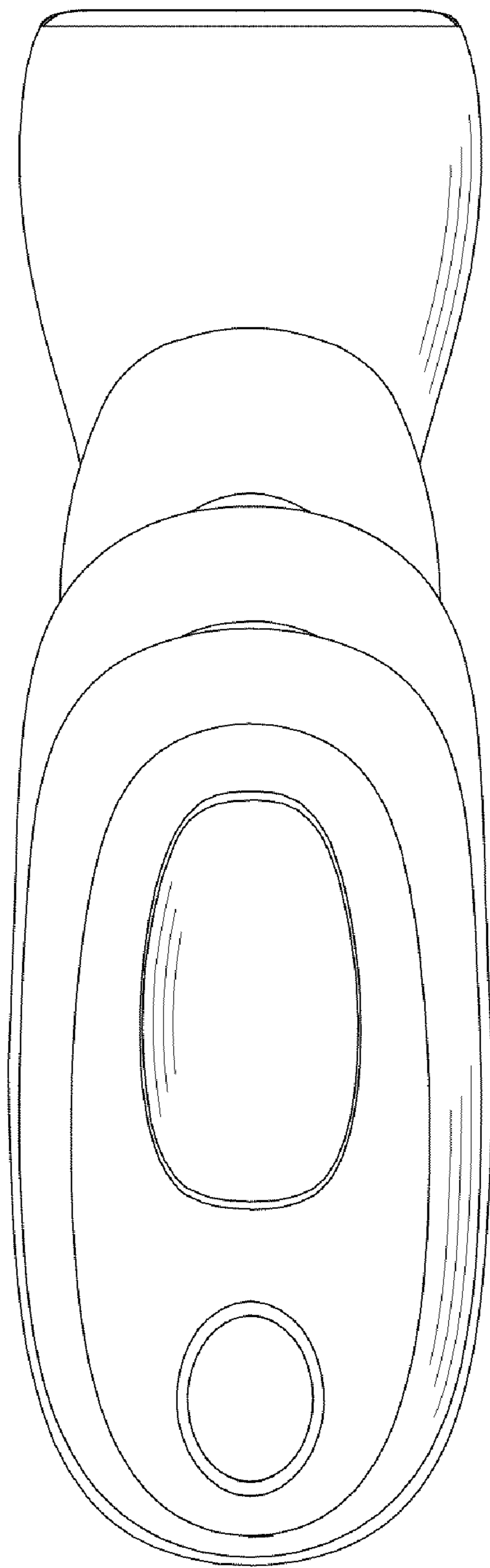


Fig.7