



US00D631256S

(12) **United States Design Patent**
Vilain et al.

(10) **Patent No.:** **US D631,256 S**
(45) **Date of Patent:** **** Jan. 25, 2011**

(54) **ROUND HEAD FOR VIBRATING
PAINTBRUSH**

(75) Inventors: **Jean Vilain**, Trazegnies (BE);
Jean-François Questiaux, Trazegnies
(BE)

(73) Assignee: **Vilain Marcel Et Fils**, Trazegnies (BE)

(**) Term: **14 Years**

(21) Appl. No.: **29/330,219**

(22) Filed: **Dec. 31, 2008**

(30) **Foreign Application Priority Data**

Aug. 29, 2008 (EM) DM/070 632

(51) **LOC (9) Cl.** **04-02**

(52) **U.S. Cl.** **D4/100; D4/127**

(58) **Field of Classification Search** D4/100,
D4/102, 114, 127, 135; 15/21.1, 22.1, 23,
15/24, 28, 29, 191.1, 192, 193, 194, 166,
15/168, 171, 175, 176.1

See application file for complete search history.

(56) **References Cited**

U.S. PATENT DOCUMENTS

2,466,257	A *	4/1949	Moore	15/22.1
2,682,067	A *	6/1954	Coleman	15/29
3,228,057	A *	1/1966	Parrish	401/133
3,906,573	A	9/1975	Crawford		
4,250,586	A	2/1981	Timian		
4,471,507	A	9/1984	Schwartz		
4,978,242	A *	12/1990	Konose	401/129
5,646,650	A *	7/1997	Miller et al.	345/179
5,781,955	A *	7/1998	Hendricks	15/22.1
6,449,792	B1	9/2002	Myers		

(Continued)

FOREIGN PATENT DOCUMENTS

BE	1017078	2/2008
DE	19705208	9/1998
DE	10240183	3/2004

(Continued)

Primary Examiner—Melanie H Tung
Assistant Examiner—Lavone D Tabor

(74) *Attorney, Agent, or Firm*—Rothwell, Figg, Ernst & Manbeck, P.C.

(57) **CLAIM**

The ornamental design for a round head for vibrating paintbrush, as shown and described.

DESCRIPTION

FIG. 1 is a top left rear perspective view of a round head for vibrating paintbrush showing our new design with unclaimed environmental structure;

FIG. 2 is an enlarged top front perspective view of the round head for vibrating paintbrush showing our new design;

FIG. 3 is a top plan view of the head as shown in FIG. 2;

FIG. 4 is a bottom plan view of the head as shown in FIG. 2;

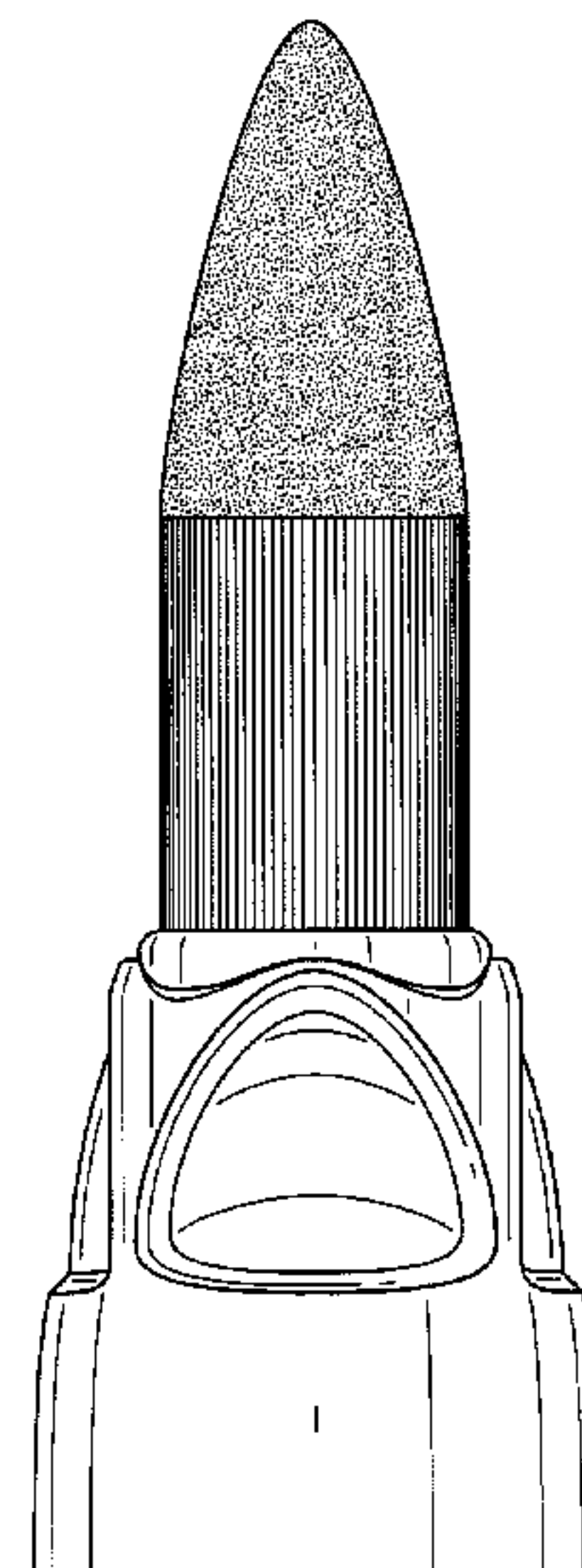
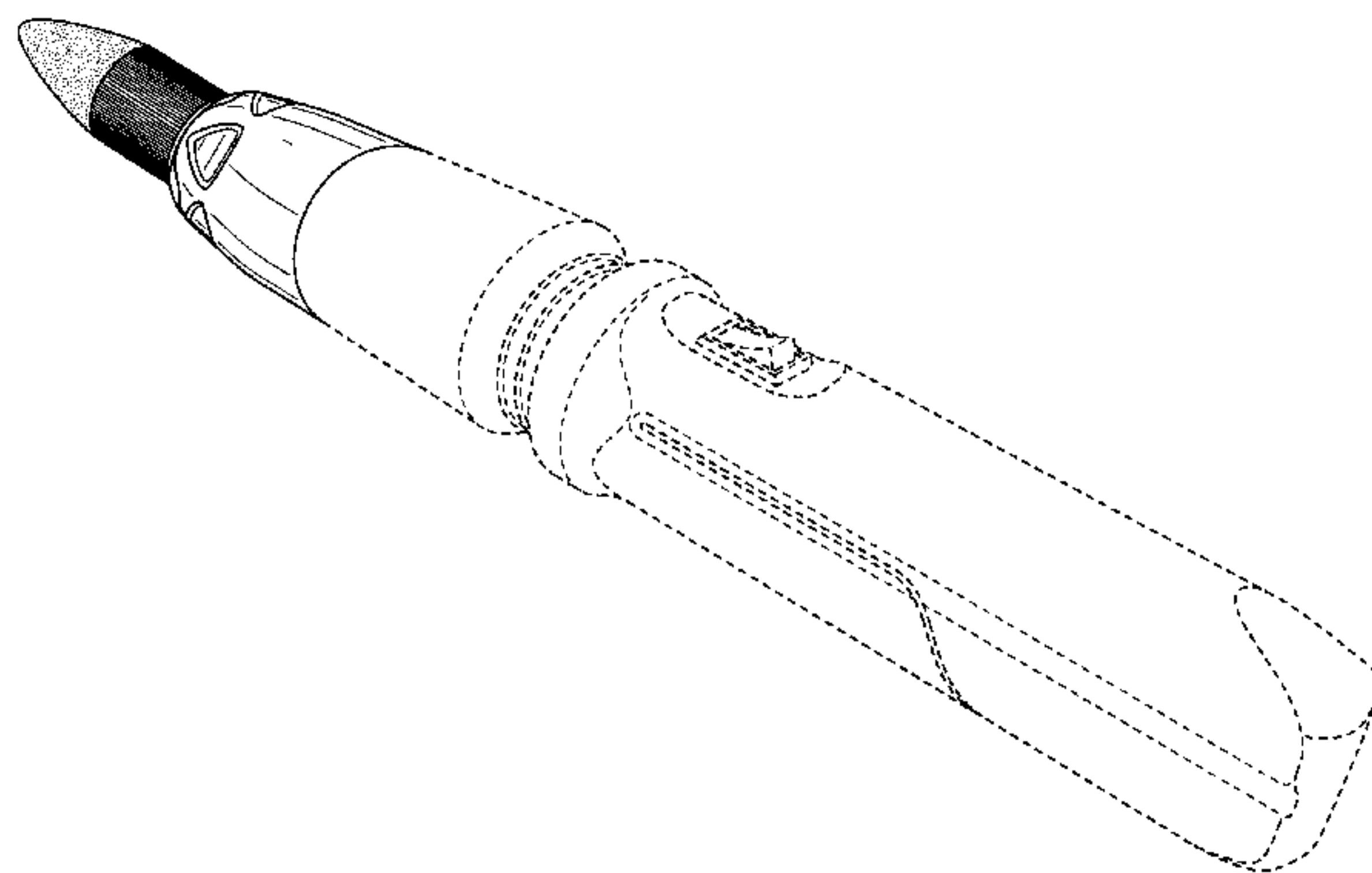
FIG. 5 is a left side elevational view of the head as shown in FIG. 2;

FIG. 6 is a right side elevational view of the head as shown in FIG. 2; and,

FIG. 7 is a front elevational view of the head as shown in FIG. 2.

The broken lines showing a handle in FIG. 1 are for illustrating the environment for the round head for vibrating paintbrush and form no part of the claimed design. The shading lines shown in the drawings represent the three dimensional contour of the design and are not intended to indicate surface decoration.

1 Claim, 7 Drawing Sheets



US D631,256 S

Page 2

U.S. PATENT DOCUMENTS

2004/0205914 A1 10/2004 Holden et al.
2005/0198759 A1 9/2005 Segrea
2005/0230134 A1* 10/2005 Wu 173/217
2006/0265821 A1 11/2006 Hause

FOREIGN PATENT DOCUMENTS

FR 2382870 6/1978

FR 2611458 A1 * 9/1988
FR 2887752 1/2007
GB 648190 1/1951
JP 2001070048 3/2001
WO 94/16909 8/1994
WO 00/33698 6/2000

* cited by examiner

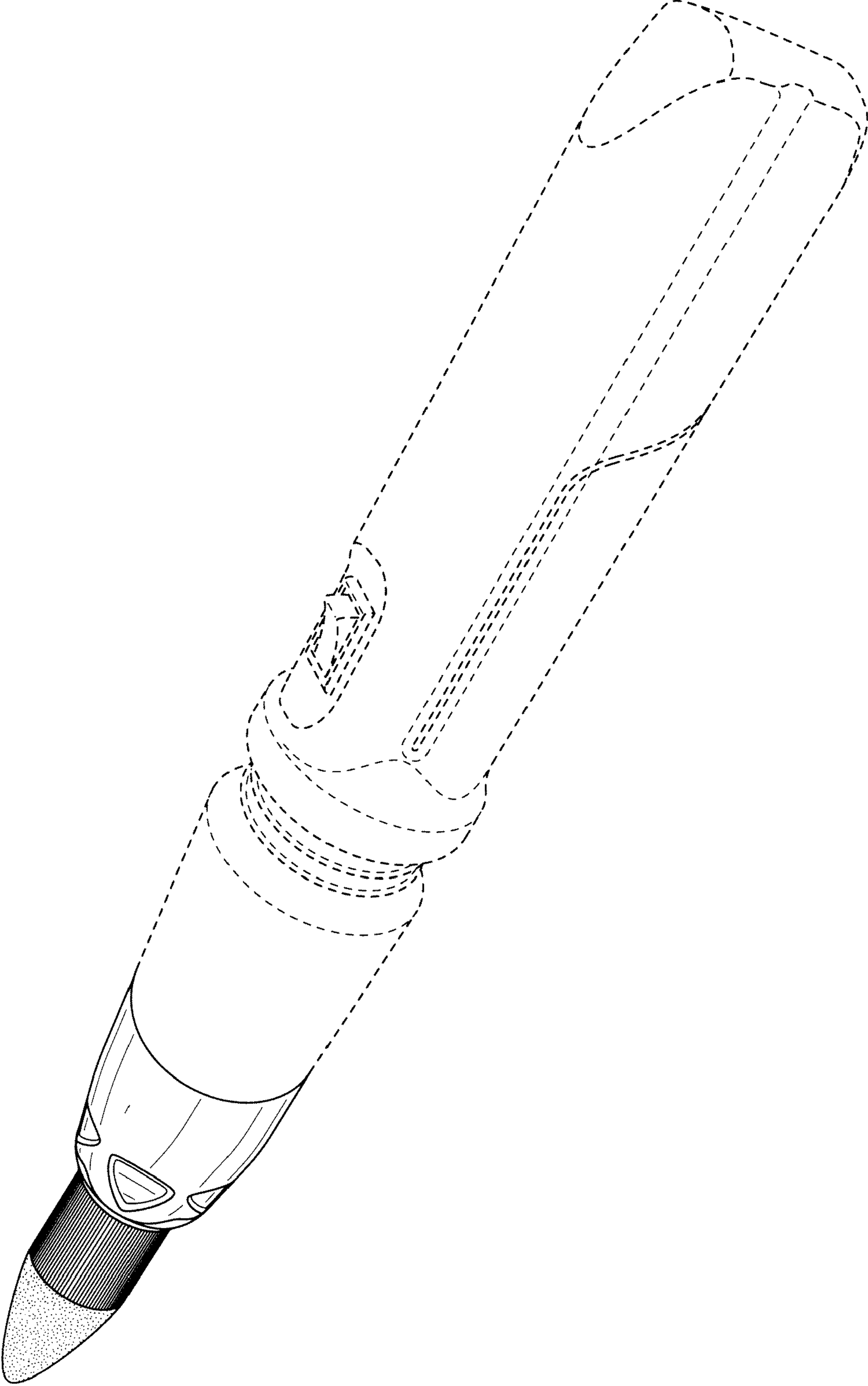


FIG. 1

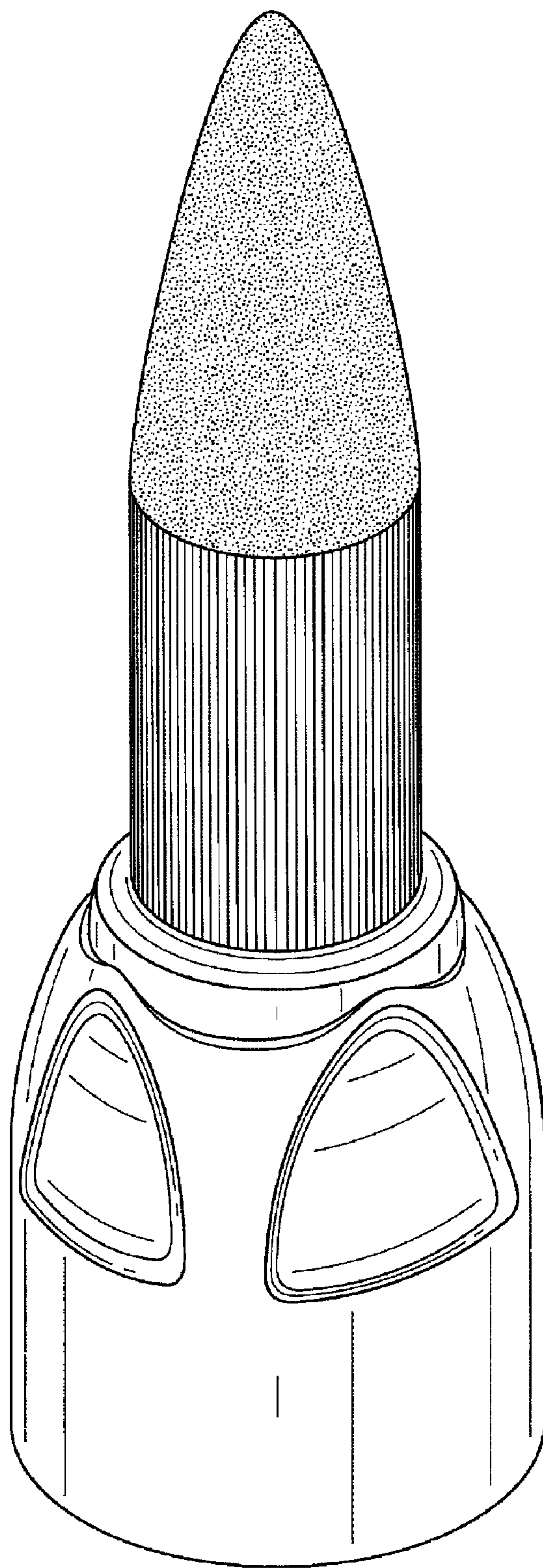


FIG. 2

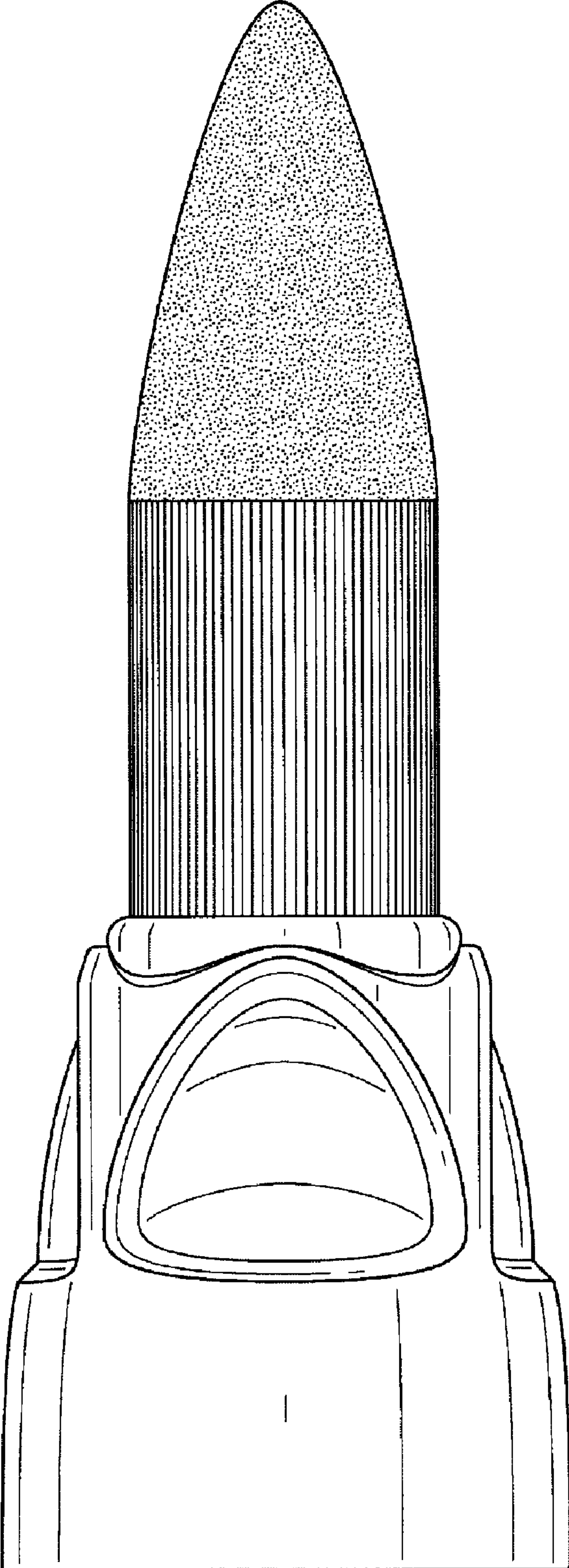


FIG. 3

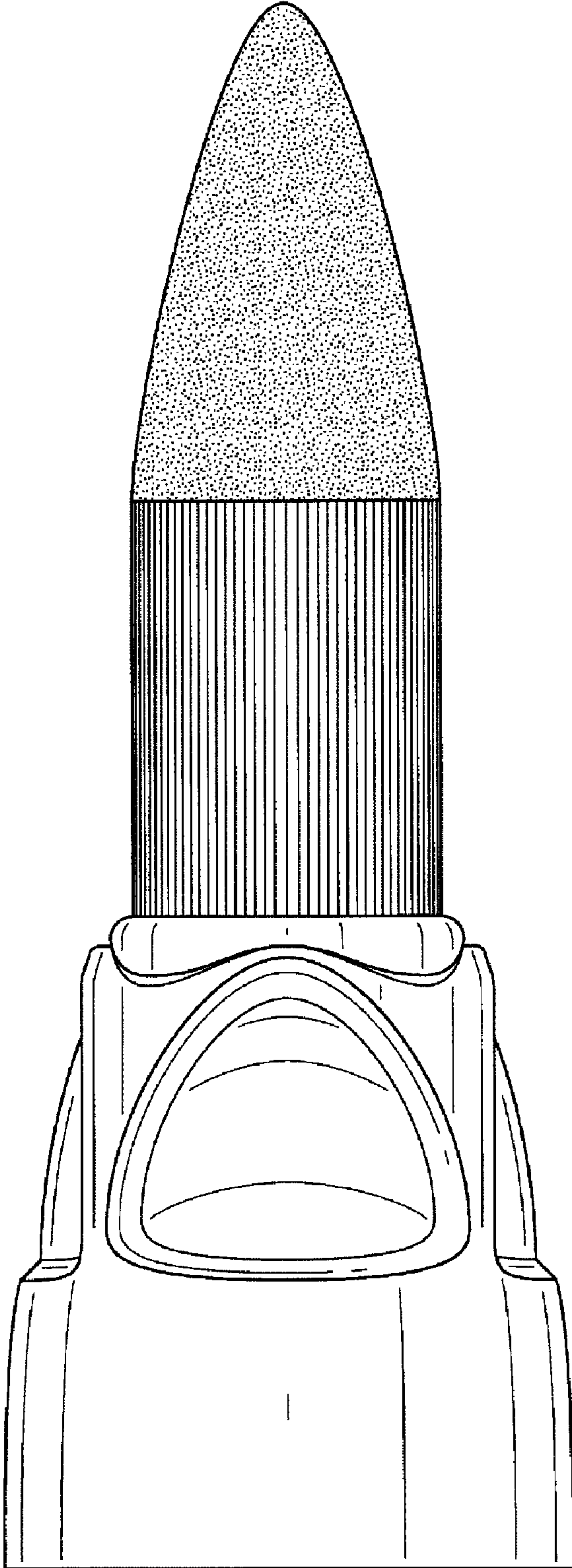


FIG. 4

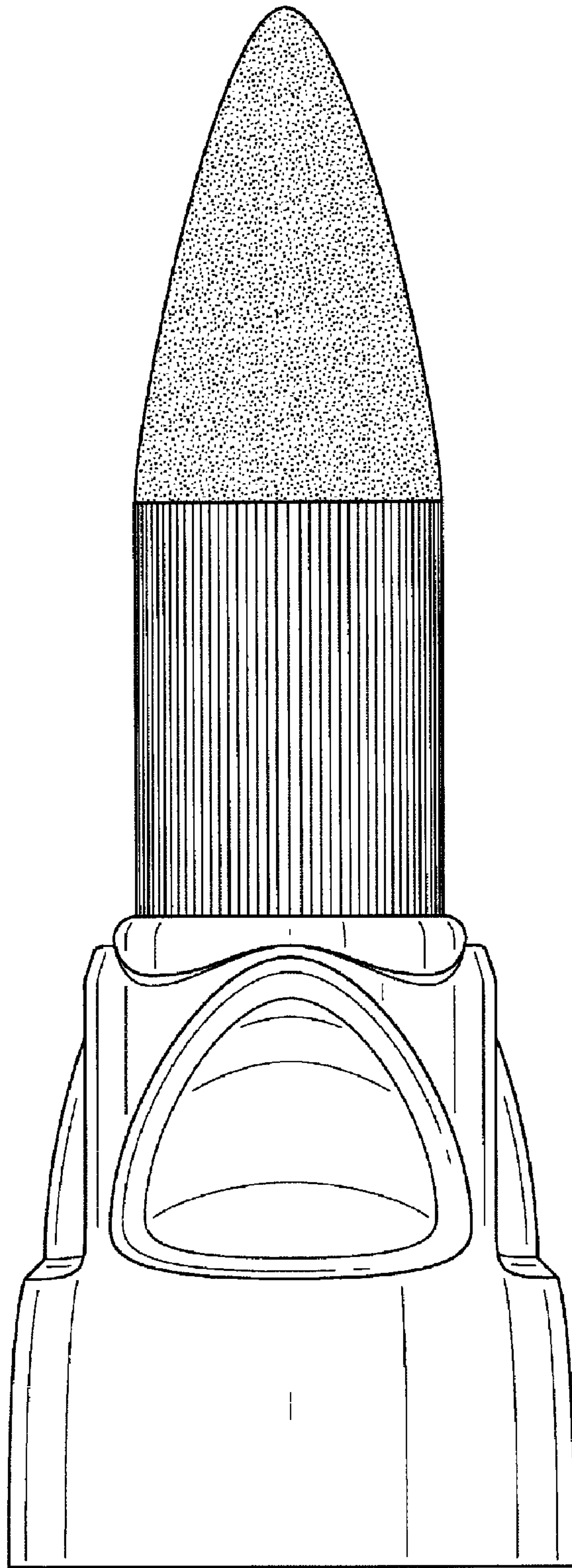


FIG. 5

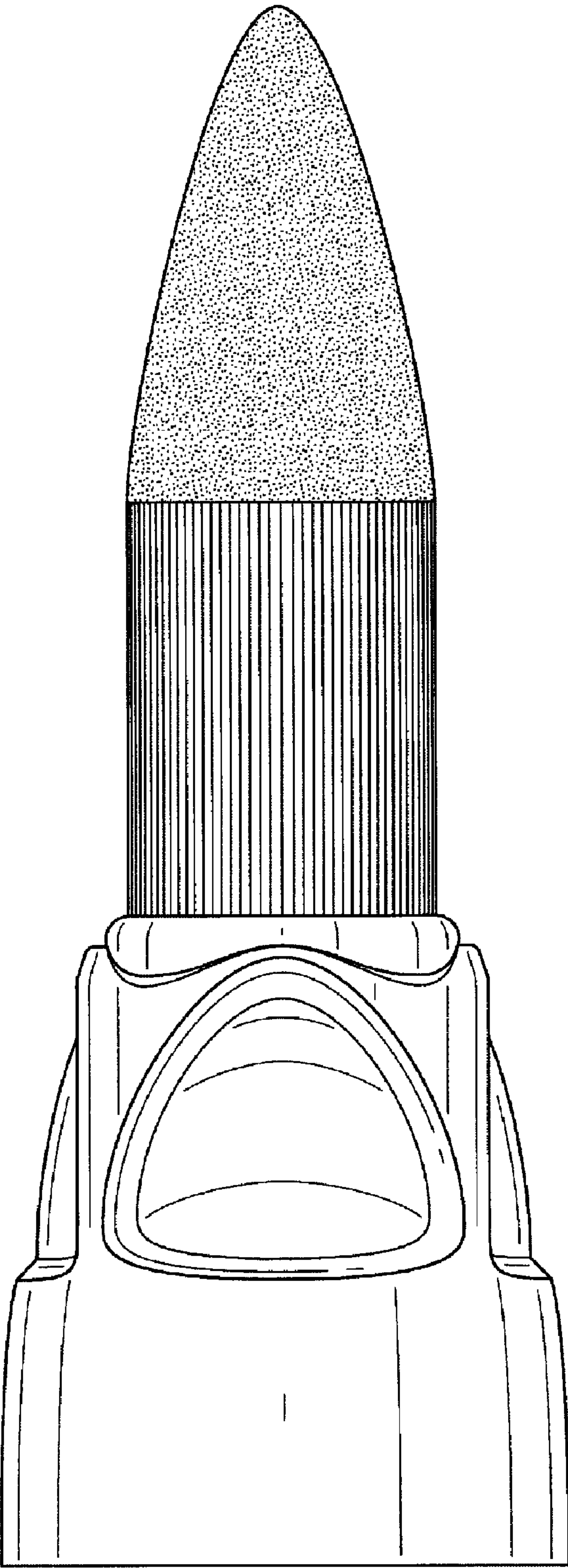


FIG. 6

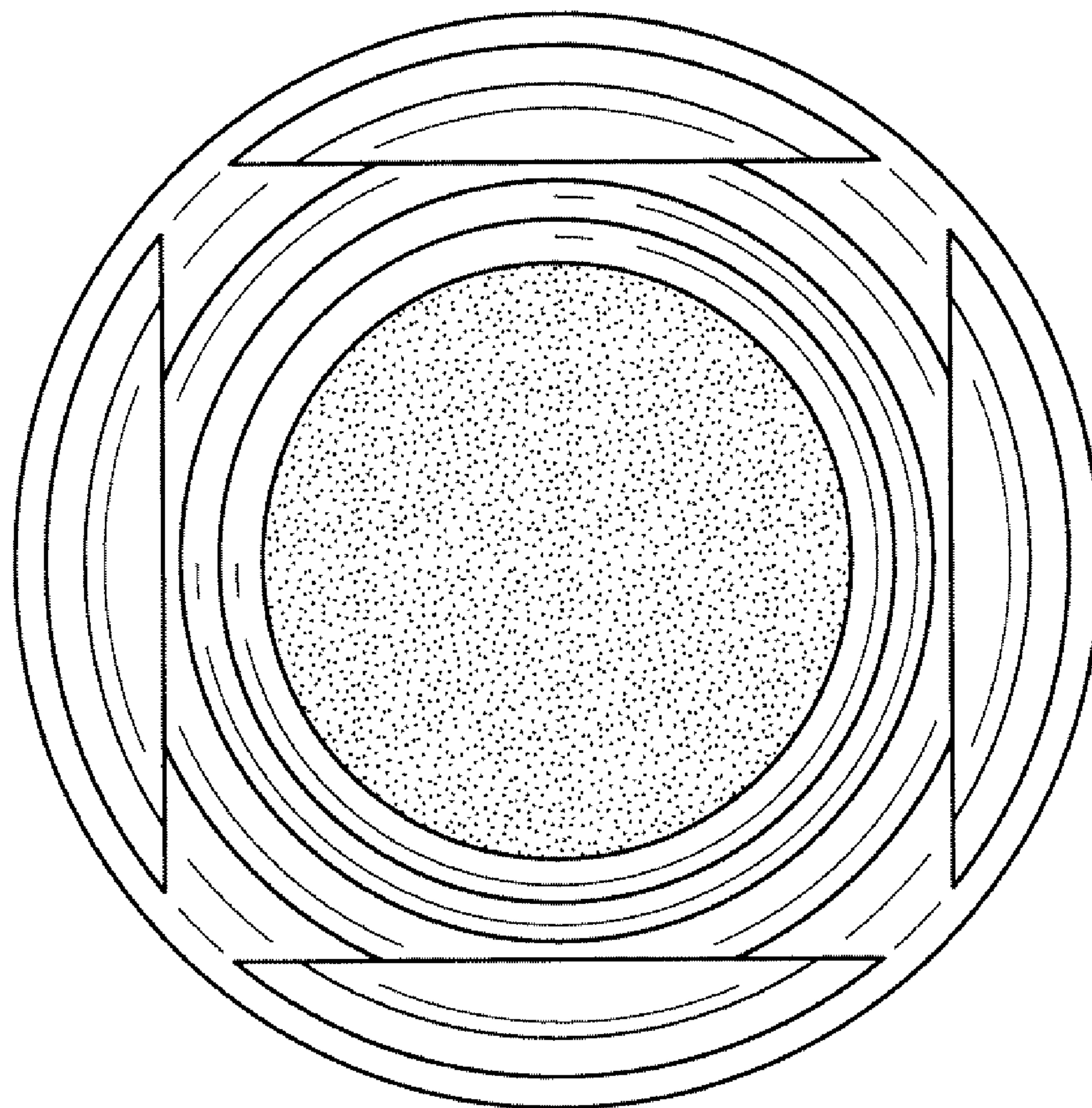


FIG. 7