



US00D631255S

(12) **United States Design Patent**
Vilain et al.

(10) **Patent No.:** **US D631,255 S**
(45) **Date of Patent:** **** Jan. 25, 2011**

(54) **HANDLE FOR VIBRATING PAINTBRUSH**

(75) Inventors: **Jean Vilain**, Trazegnies (BE);
Jean-François Questiaux, Trazegnies
(BE)

(73) Assignee: **Vilain Marcel Et. Fils**, Trazegnies (BE)

(**) Term: **14 Years**

(21) Appl. No.: **29/330,218**

(22) Filed: **Dec. 31, 2008**

(30) **Foreign Application Priority Data**

Aug. 29, 2008 (EM) DM/070 632

(51) **LOC (9) Cl.** **04-02**

(52) **U.S. Cl.** **D4/100; D4/138**

(58) **Field of Classification Search** D4/100,
D4/102, 114, 127, 135, 138; D8/61, 62,
D8/107; 16/110.1, 430; 15/143.1, 21.1,
15/22.1, 23, 24, 28, 29, 191.1, 192, 193,
15/194; 81/52, 57.11, 57.31, 57.42, 489;
173/213, 217, 221

See application file for complete search history.

(56) **References Cited**

U.S. PATENT DOCUMENTS

- 2,466,257 A * 4/1949 Moore 15/22.1
- 3,378,331 A * 4/1968 Beasley 401/286
- 3,906,573 A 9/1975 Crawford
- 4,250,586 A 2/1981 Timian
- 4,471,507 A 9/1984 Schwartz
- D297,104 S * 8/1988 Svetlik D8/61
- D325,503 S * 4/1992 Kikuchi et al. D8/61
- D328,976 S * 9/1992 Herron D4/102
- D356,213 S * 3/1995 Chaves D4/102

(Continued)

FOREIGN PATENT DOCUMENTS

BE 1017078 2/2008

(Continued)

Primary Examiner—Melanie H Tung

Assistant Examiner—Lavone D Tabor

(74) *Attorney, Agent, or Firm*—Rothwell, Figg, Ernst & Manbeck, P.C.

(57) **CLAIM**

The ornamental design for a handle for vibrating paintbrush, as shown and described.

DESCRIPTION

FIG. 1 is a top left rear perspective view of a handle for vibrating paintbrush showing our new design with unclaimed environmental structure;

FIG. 2 is a top left rear perspective view of the handle for vibrating paintbrush showing our new design;

FIG. 3 is a top plan view of the handle as shown in FIG. 2;

FIG. 4 is a bottom plan view of the handle as shown in FIG. 2;

FIG. 5 is a left side elevational view of the handle as shown in FIG. 2;

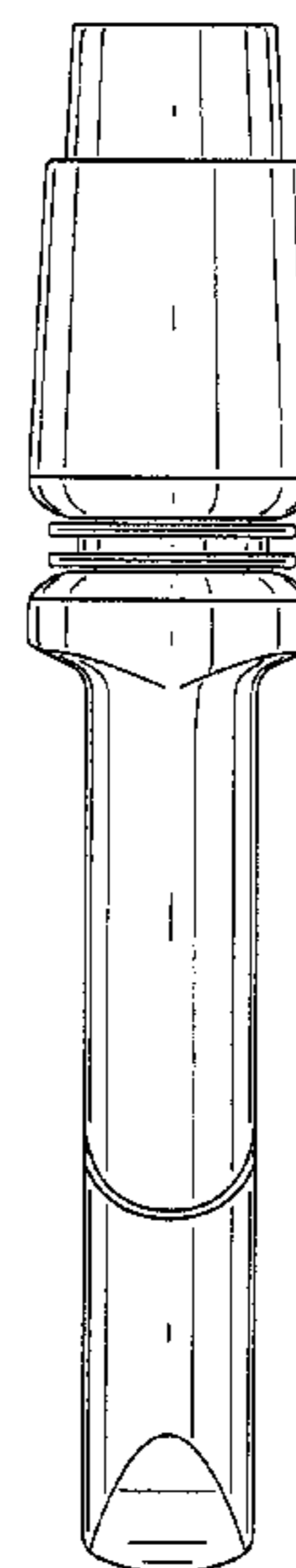
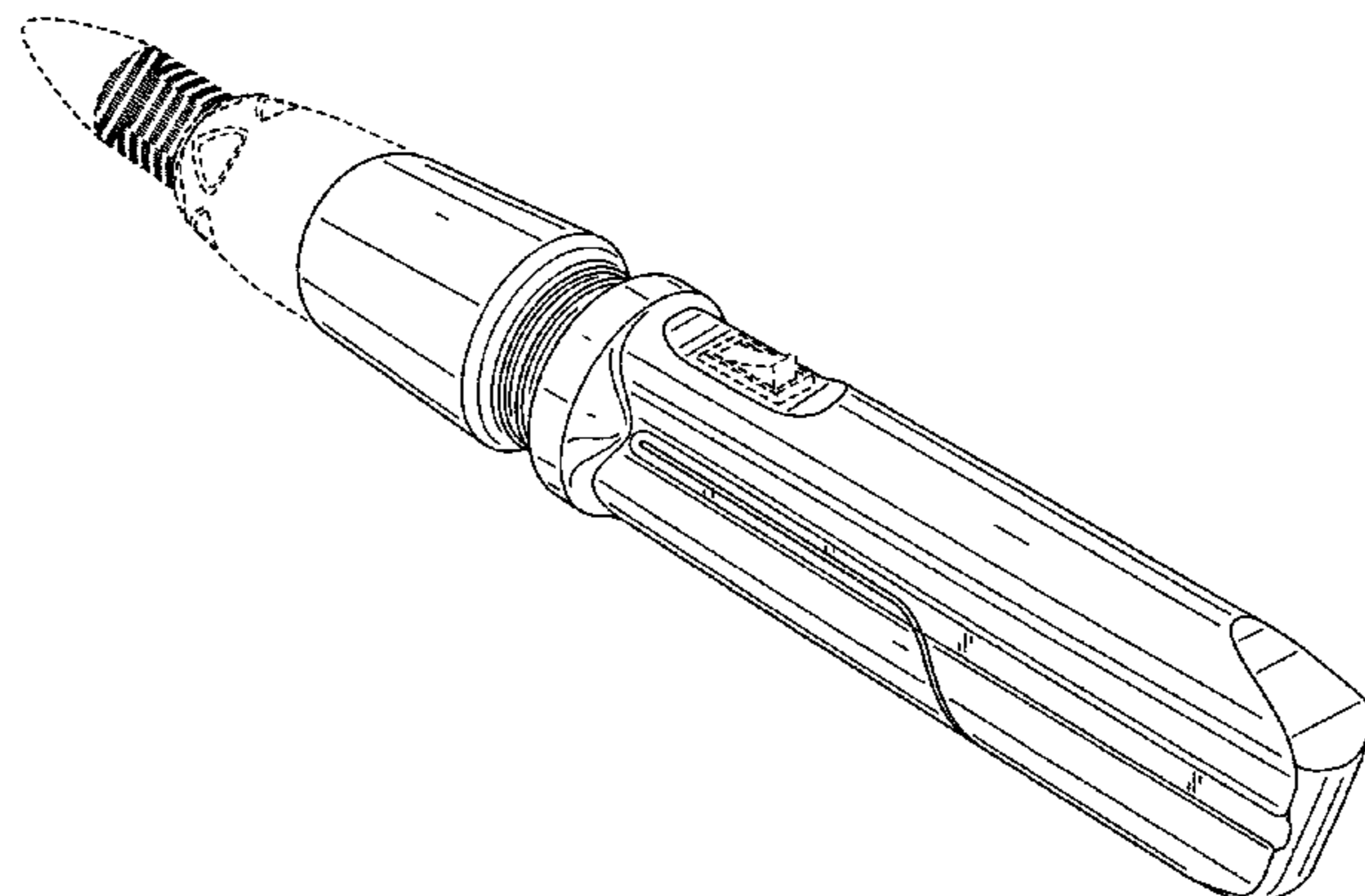
FIG. 6 is a right side elevational view of the handle as shown in FIG. 2;

FIG. 7 is a front elevational view of the handle as shown in FIG. 2; and,

FIG. 8 is a rear elevational view of the handle as shown in FIG. 2.

The broken lines showing a brush head and a switch in FIG. 1 are for illustrating the environment for the handle for vibrating paintbrush and form no part of the claimed design. The shading lines shown in the drawings represent the three dimensional contour of the design and are not intended to indicate surface decoration.

1 Claim, 5 Drawing Sheets



US D631,255 S

Page 2

U.S. PATENT DOCUMENTS

5,646,650	A *	7/1997	Miller et al.	345/179
5,781,955	A *	7/1998	Hendricks	15/22.1
D439,051	S *	3/2001	White	D4/102
6,449,792	B1	9/2002	Myers	
6,624,133	B1 *	9/2003	McKenzie et al.	510/392
D518,642	S *	4/2006	Blaustein et al.	D4/100
2004/0205914	A1	10/2004	Holden et al.	
2005/0198759	A1	9/2005	Segrea	
2006/0265821	A1	11/2006	Hause	

FOREIGN PATENT DOCUMENTS

DE	19705208	9/1998
DE	10240183	3/2004
FR	2382870	6/1978
FR	2887752	1/2007
GB	648190	1/1951
JP	2001070048	3/2001
WO	94/16909	8/1994
WO	00/33698	6/2000

* cited by examiner

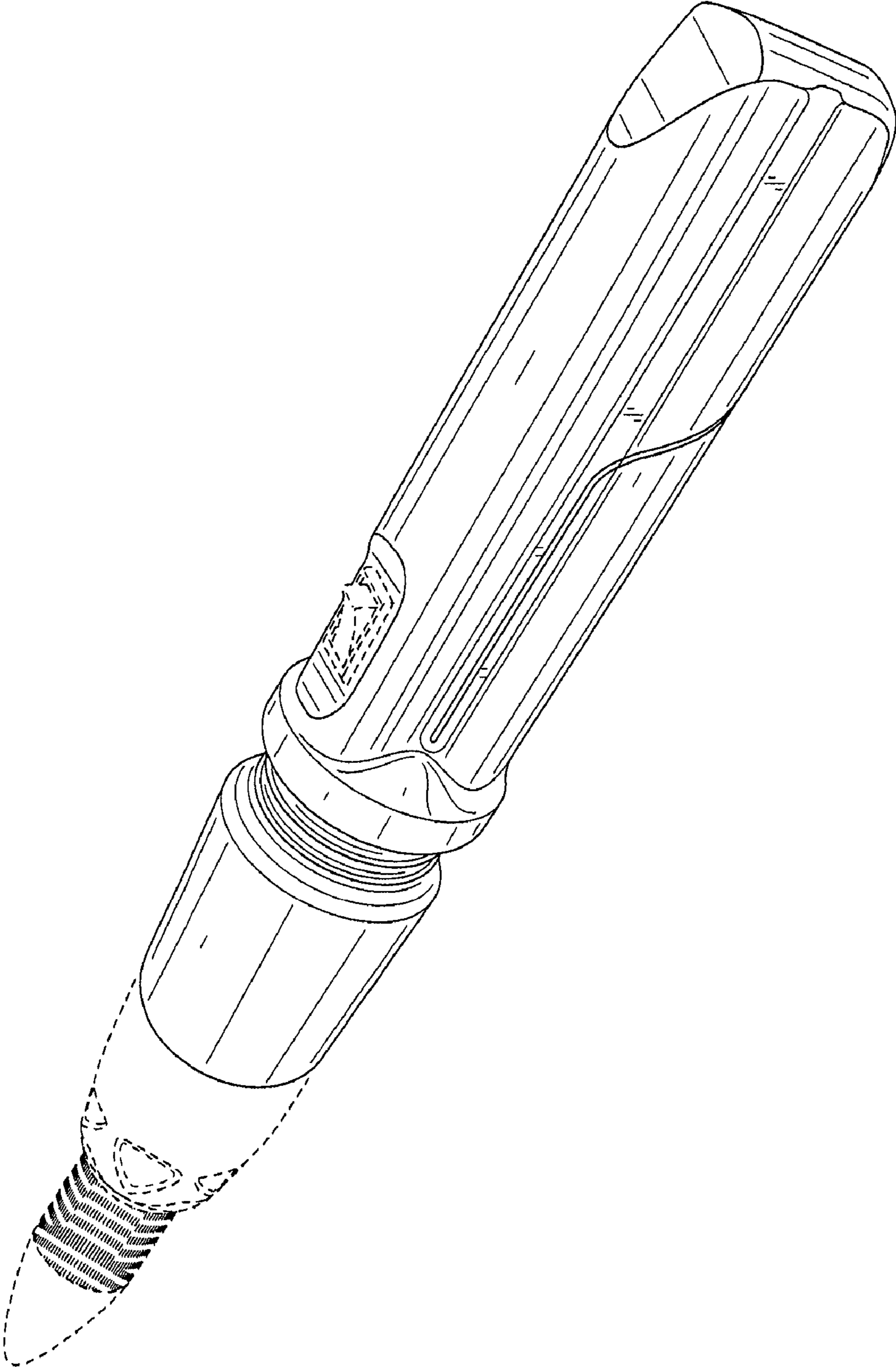


FIG. 1

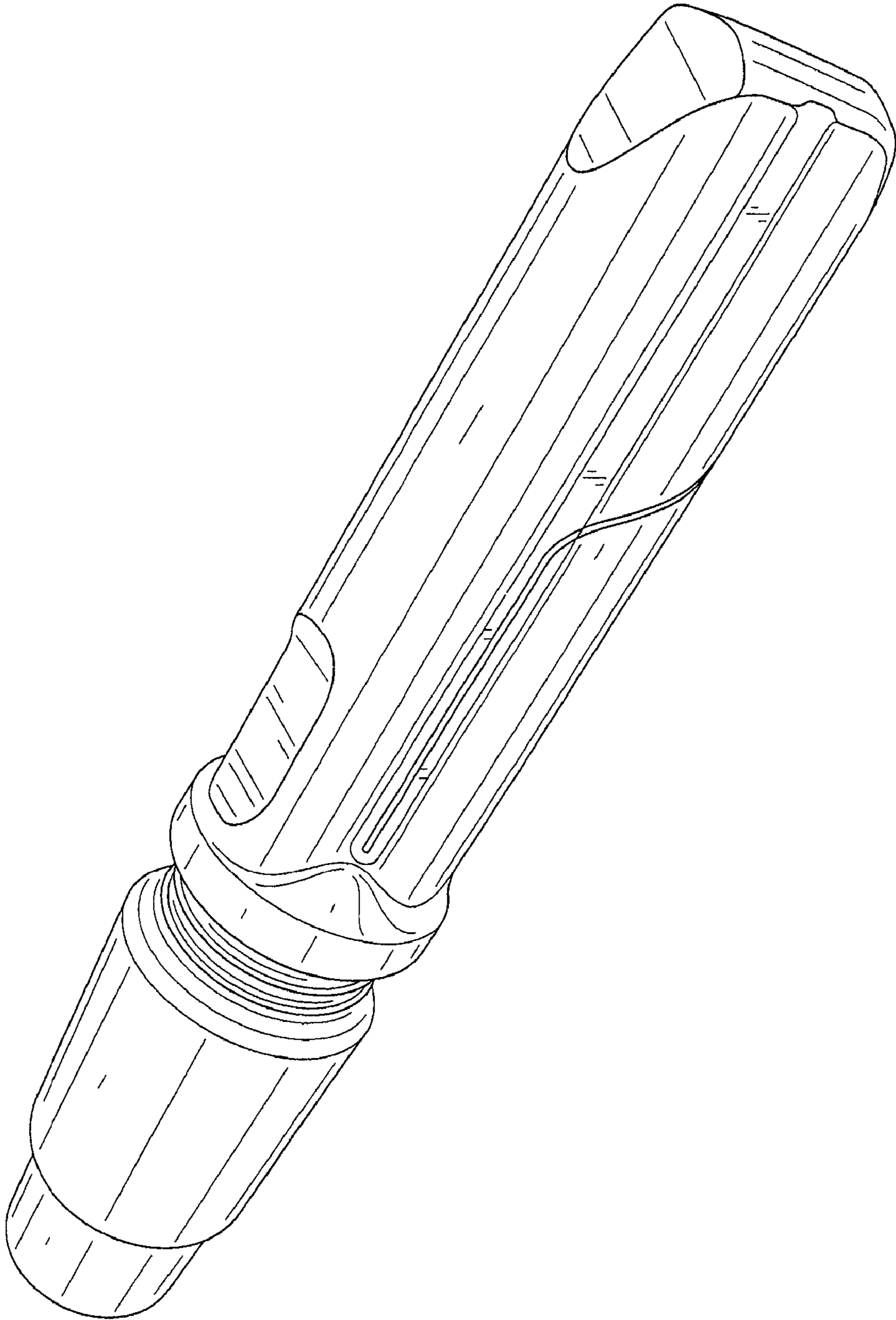


FIG. 2

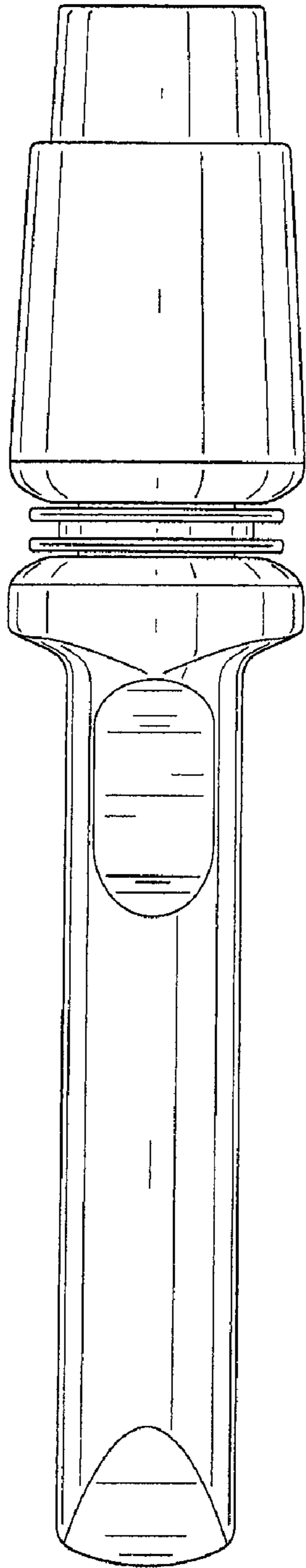


FIG. 3

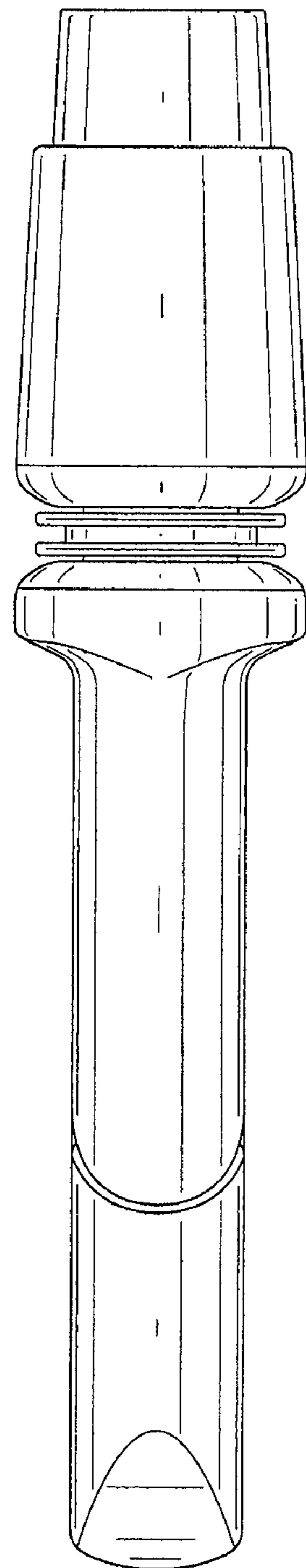


FIG. 4

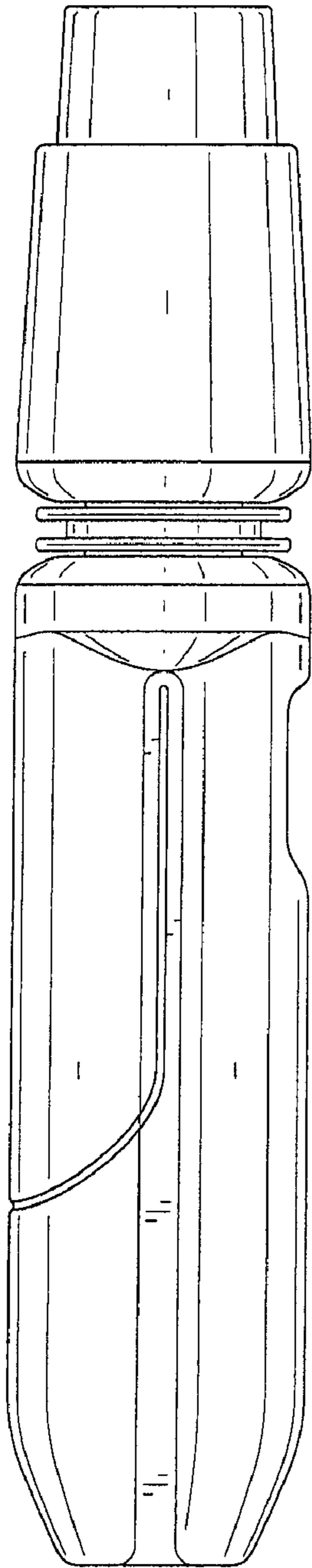


FIG. 5

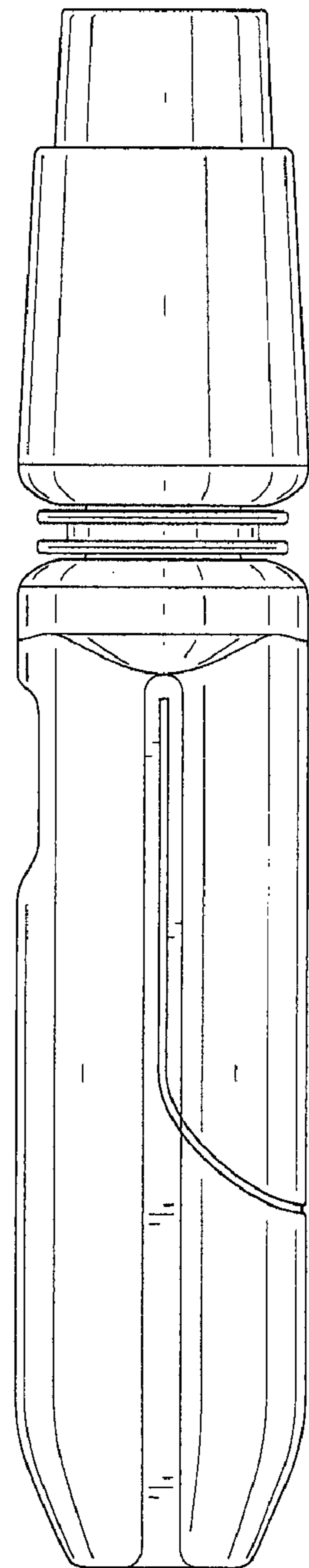


FIG. 6

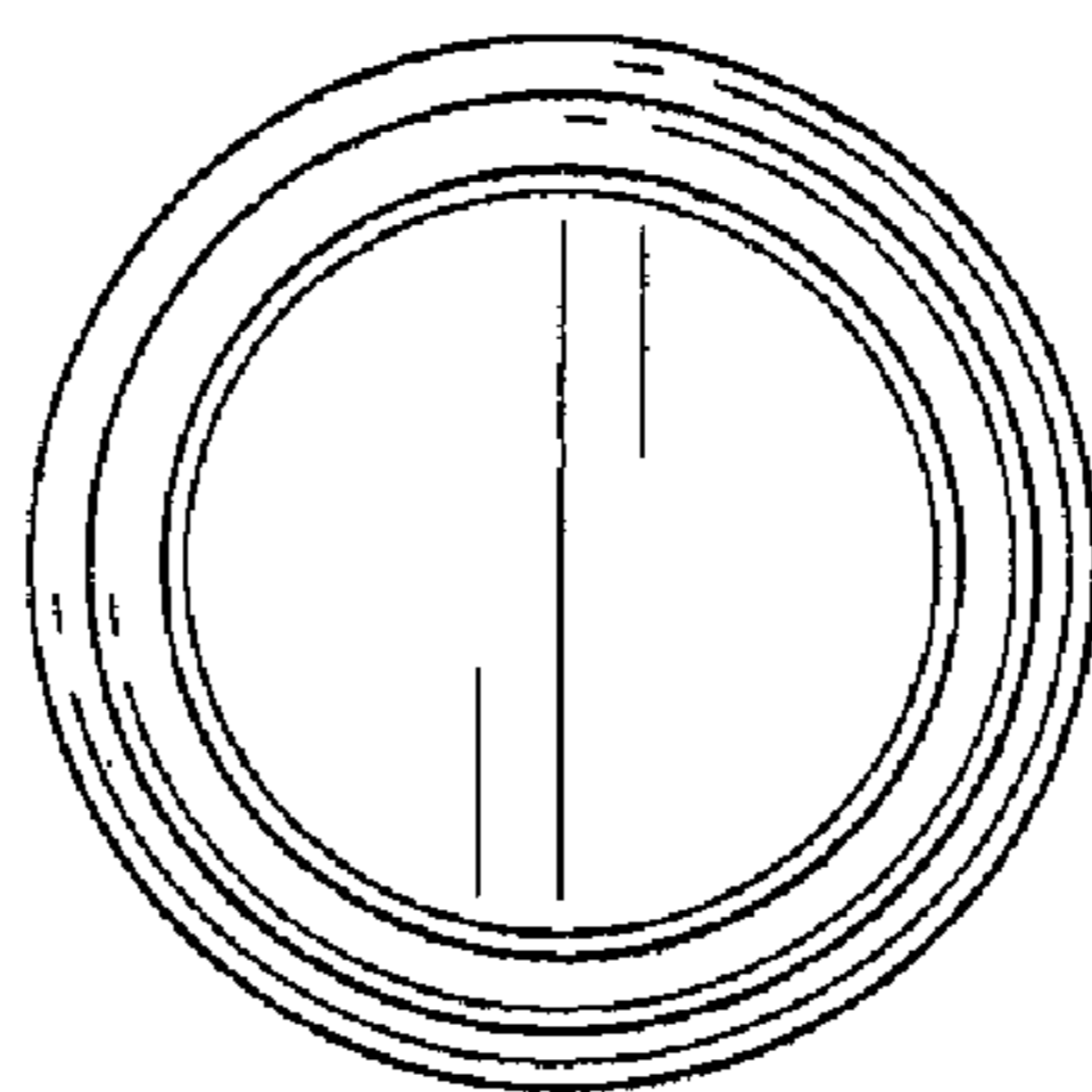


FIG. 7

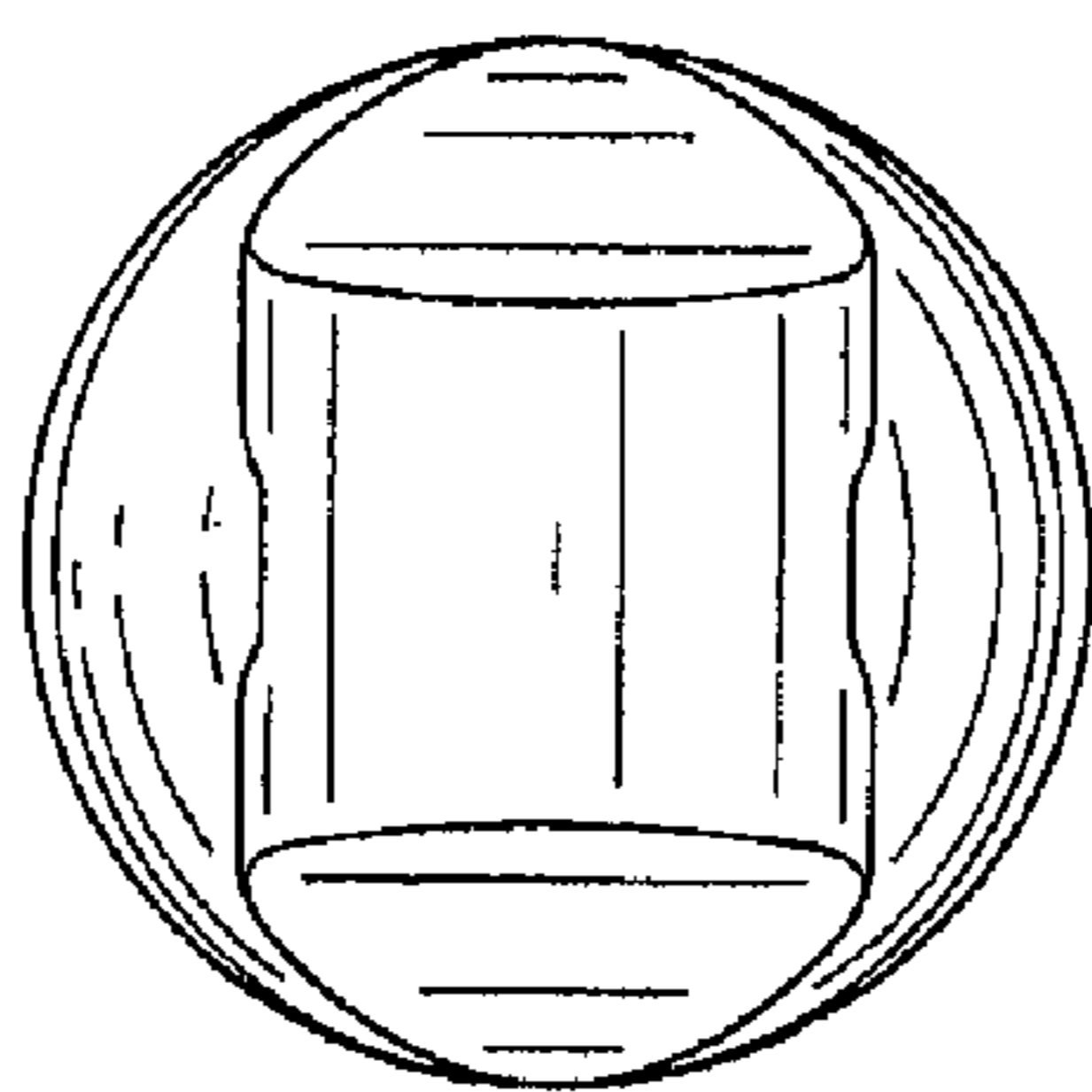


FIG. 8