



US00D631248S

(12) **United States Design Patent**  
**Ricany**

(10) **Patent No.:** **US D631,248 S**

(45) **Date of Patent:** **\*\* Jan. 25, 2011**

(54) **PET ACCESSORY CARRYING BAG**

(76) **Inventor:** **Gale Ricany**, 20 Music Mountain Blvd.,  
West Amwell, NJ (US) 08530

(\*\*) **Term:** **14 Years**

(21) **Appl. No.:** **29/359,468**

(22) **Filed:** **Apr. 12, 2010**

(51) **LOC (9) Cl.** ..... **03-01**

(52) **U.S. Cl.** ..... **D3/234**

(58) **Field of Classification Search** ..... D3/232-234,  
D3/238, 240-246, 318, 324; 150/100, 103-110,  
150/113-114, 118-119

See application file for complete search history.

(56) **References Cited**

**U.S. PATENT DOCUMENTS**

D172,312 S \* 5/1954 Rosenberg et al. .... D3/237

D541,528 S \* 5/2007 Gonzalez ..... D3/243

D580,651 S \* 11/2008 Brooks ..... D3/238

\* cited by examiner

*Primary Examiner*—Holly H Baynham

(74) *Attorney, Agent, or Firm*—Fox Rothschild LLP; Perry  
M. Fonseca

(57) **CLAIM**

The ornamental design for a pet accessory carrying bag, as  
shown and described.

**DESCRIPTION**

FIG. 1 is a portrait view showing the design;

FIG. 2 is a frontal view showing the design;

FIG. 3 is a rear view showing the design;

FIG. 4 is a side view showing the design with the opposite side  
being a mirror image;

FIG. 5 is a top view showing the design; and,

FIG. 6 is a bottom view showing the design.

The broken line showing of a partial handbag strap is for  
illustrative purposes only and forms no part of the claimed  
design.

**1 Claim, 6 Drawing Sheets**

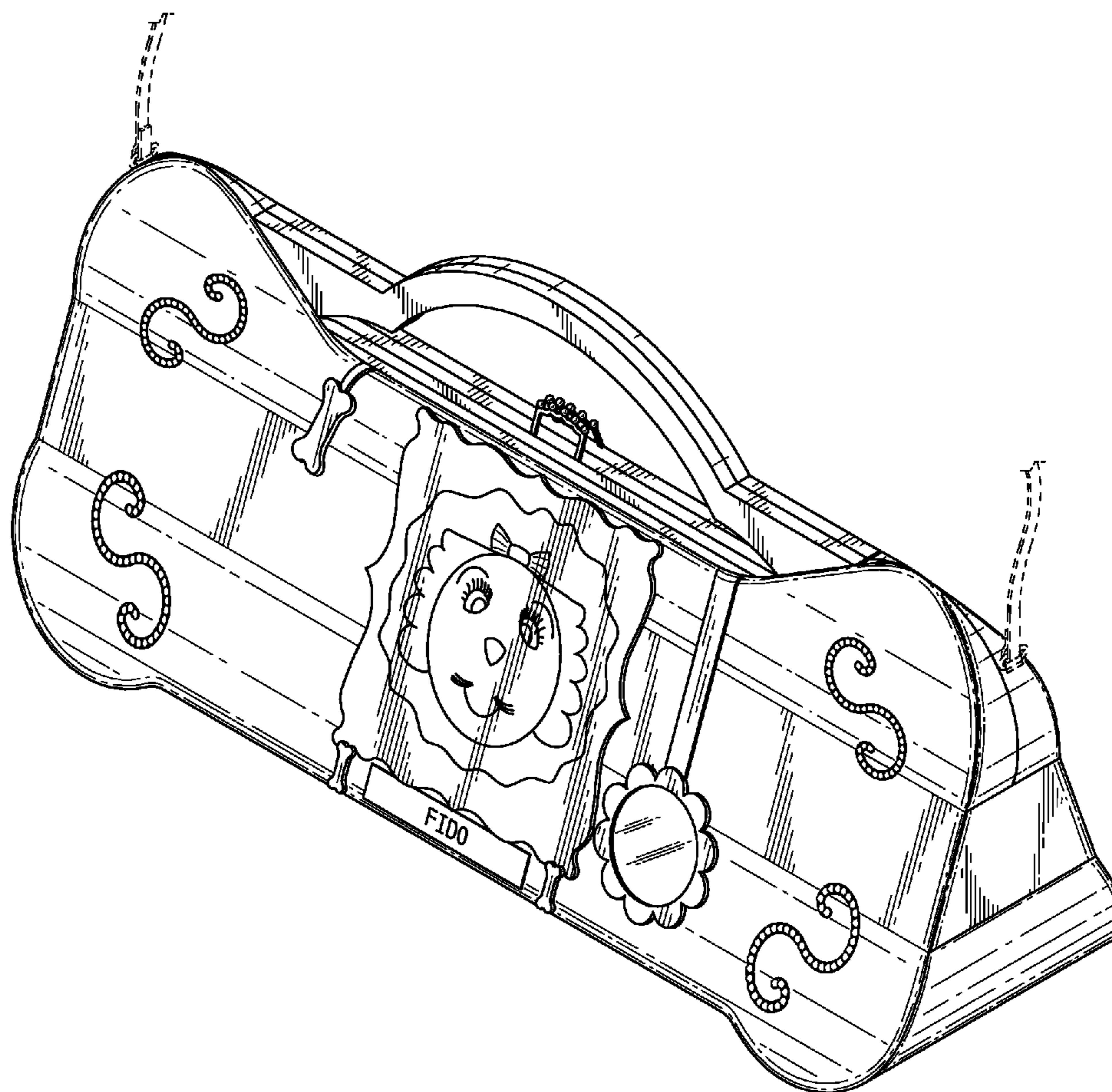


FIG. 1

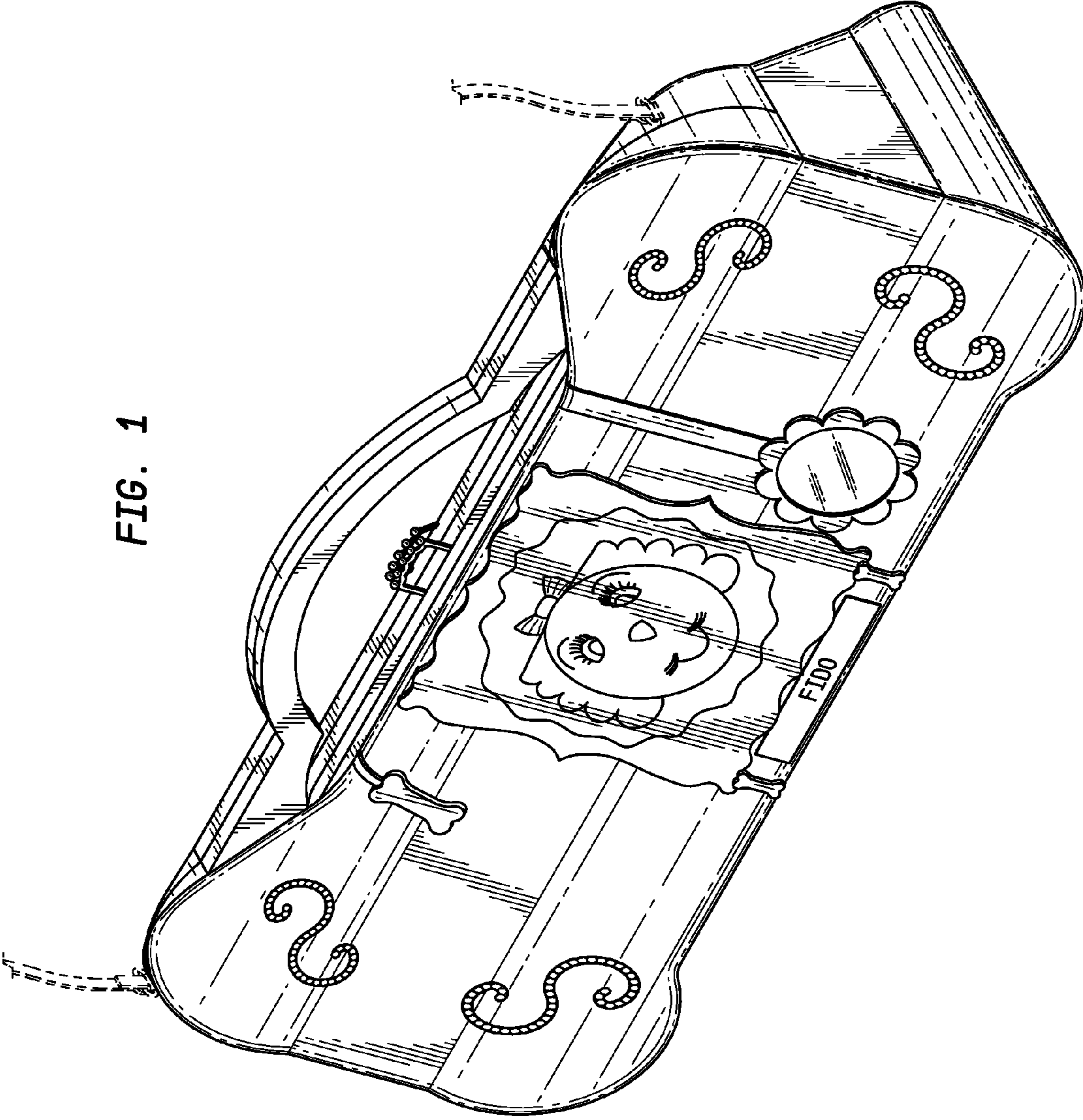


FIG. 2

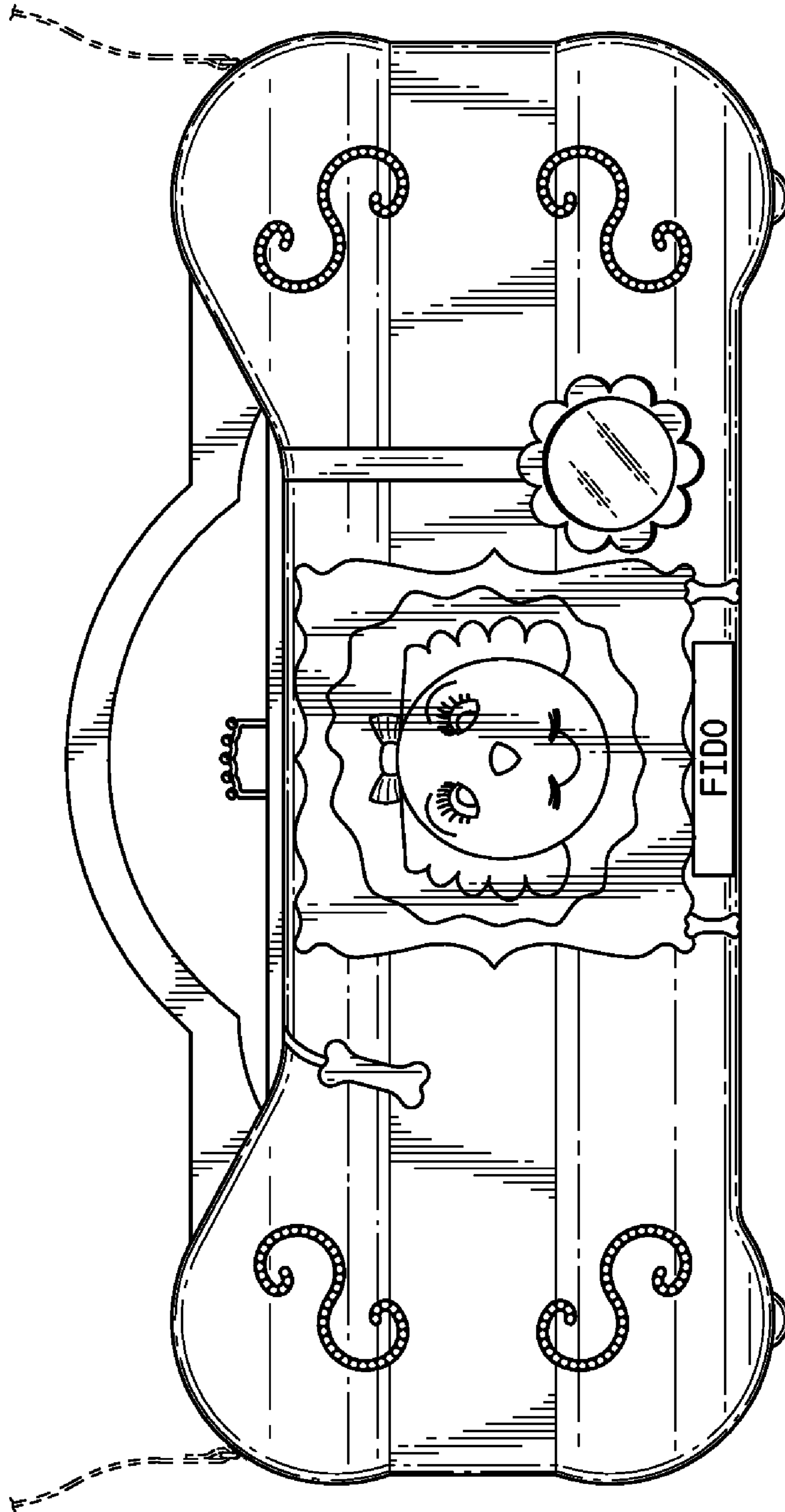
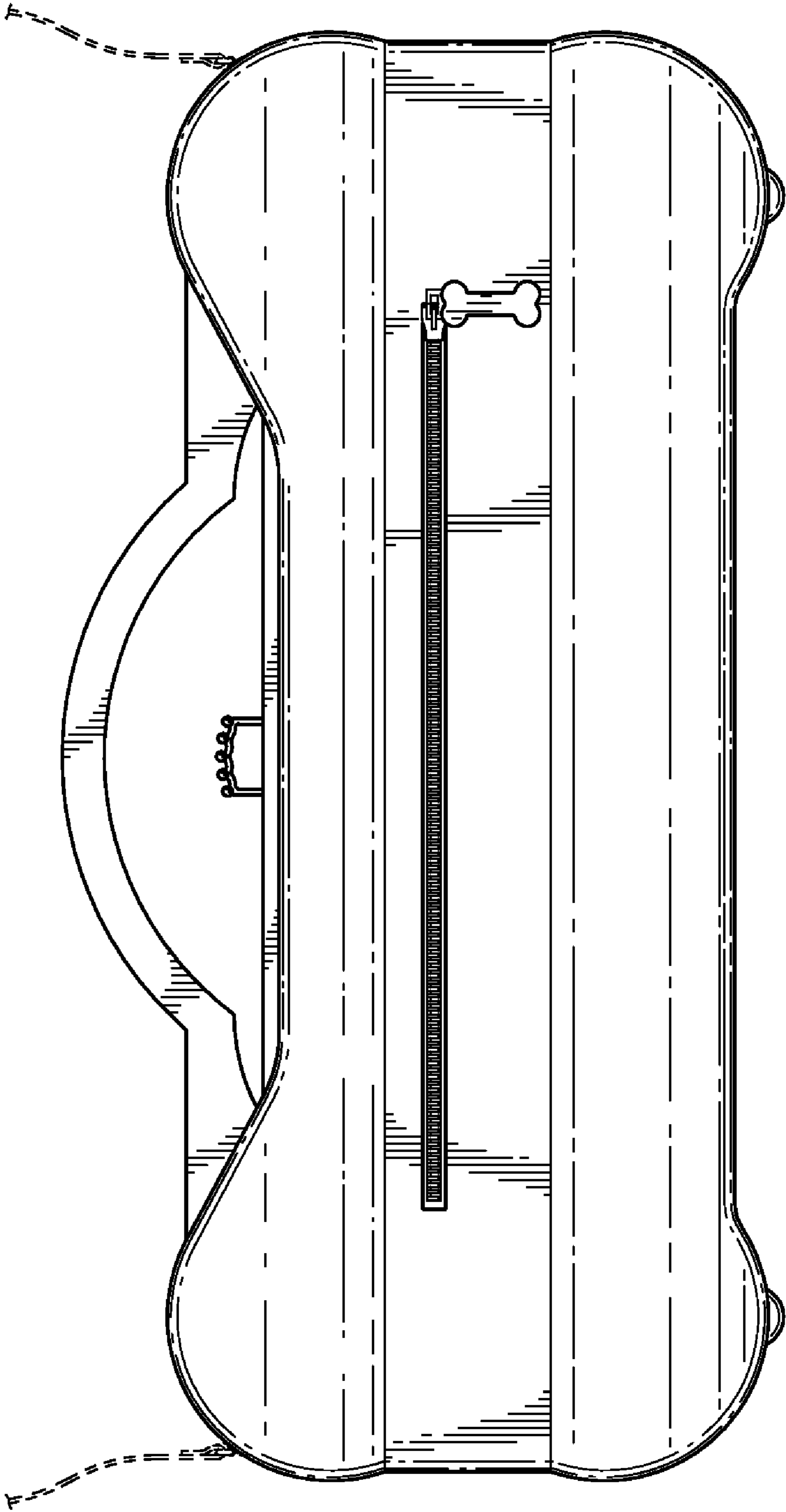


FIG. 3



**FIG. 4**

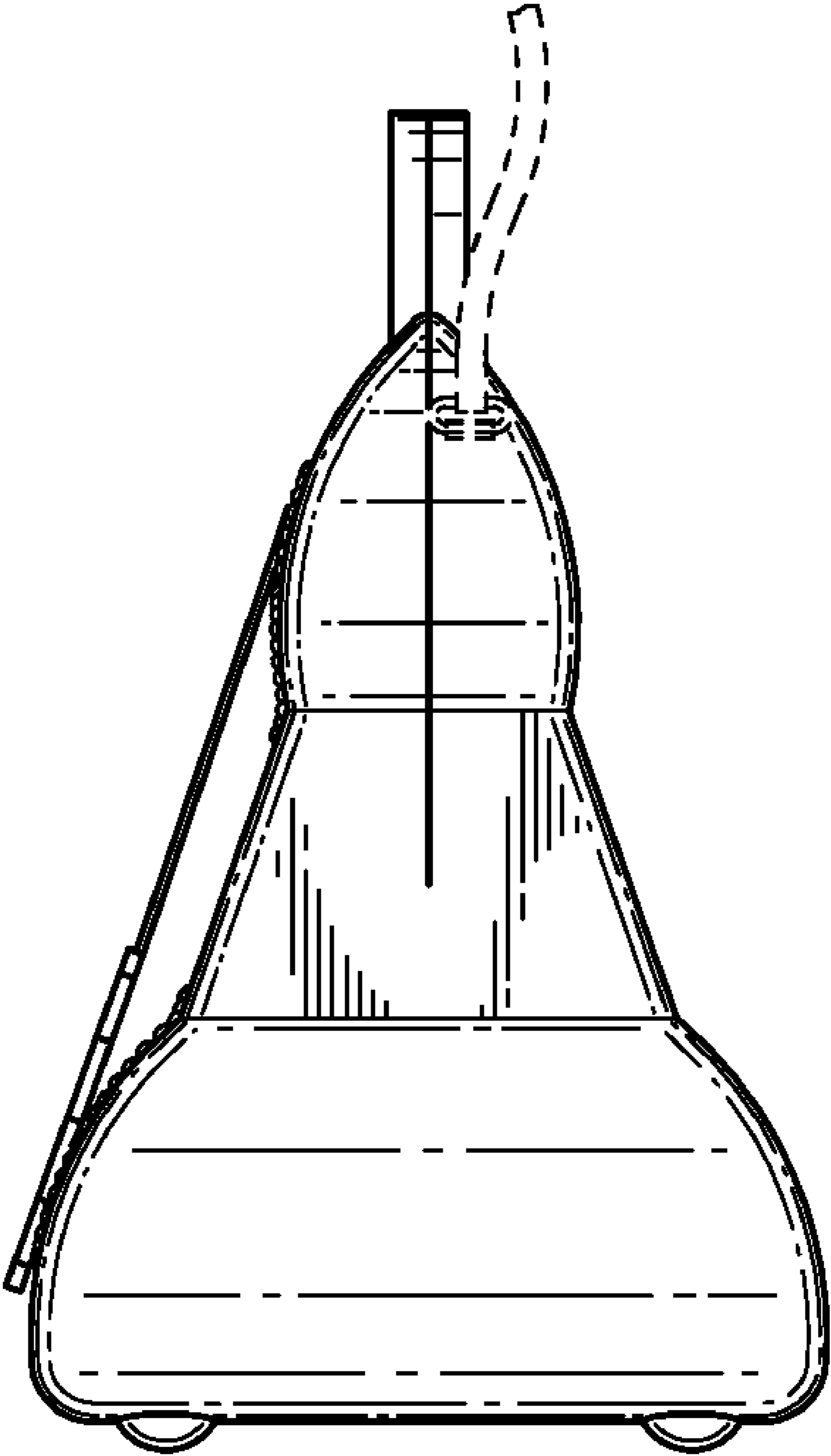
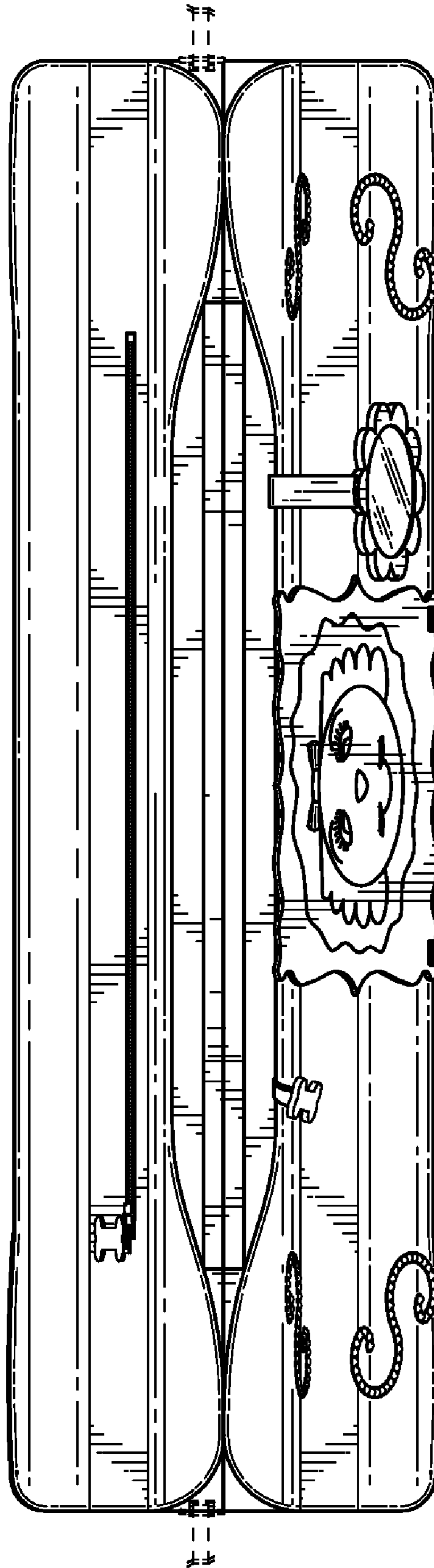


FIG. 5



**FIG. 6**

