



US00D631245S

(12) **United States Design Patent**
Sabbah

(10) **Patent No.:** **US D631,245 S**
(45) **Date of Patent:** **** Jan. 25, 2011**

(54) **SKIRTED BACKPACK**

(75) Inventor: **Dan Sabbah**, New York, NY (US)

(73) Assignee: **Global Design Concepts, Inc.**, New York, NY (US)

(**) Term: **14 Years**

(21) Appl. No.: **29/363,330**

(22) Filed: **Jun. 8, 2010**

(51) **LOC (9) Cl.** **03-01**

(52) **U.S. Cl.** **D3/217**

(58) **Field of Classification Search** D3/214,
D3/215, 216, 217, 270; D2/830; 224/153,
224/576, 577, 578

See application file for complete search history.

(56) **References Cited**

U.S. PATENT DOCUMENTS

6,419,132	B1 *	7/2002	Reed et al.	224/153
D469,952	S *	2/2003	Daglow et al.	D3/216
6,769,585	B2 *	8/2004	Santaniello et al.	224/629
D496,786	S *	10/2004	Wolf	D3/226
2008/0245829	A1 *	10/2008	Hansen	224/153

* cited by examiner

Primary Examiner—T. Chase Nelson

(74) *Attorney, Agent, or Firm*—Ladas & Parry LLP

(57) **CLAIM**

The ornamental design for a skirted backpack, as shown and described.

DESCRIPTION

FIG. 1 is a perspective view of a preferred embodiment of a skirted backpack of the present invention;

FIG. 2 is a perspective view of an alternate preferred embodiment of FIG. 1; being identical in all respects other than having a flower ornamentation in lieu of a bow ornamentation.

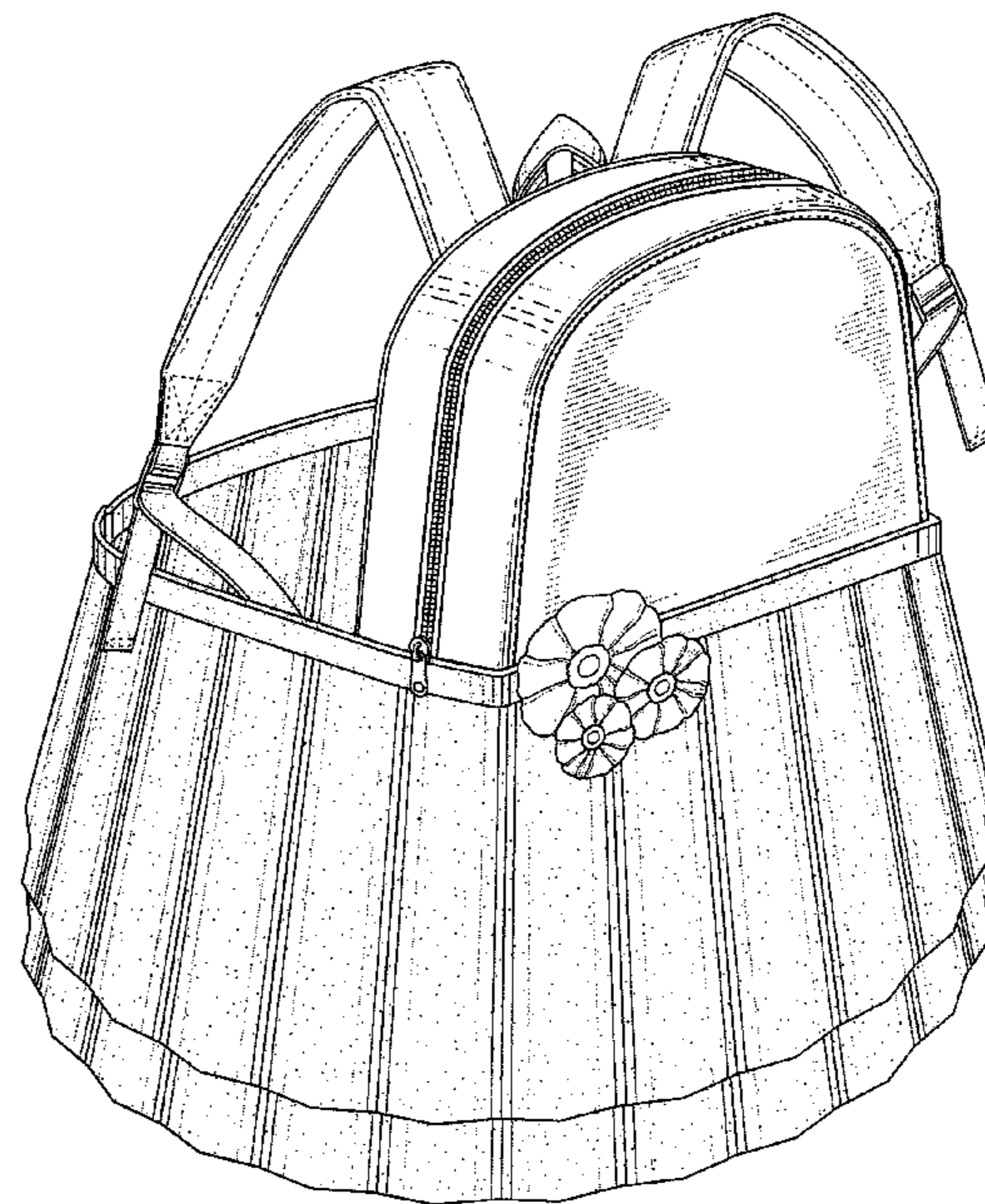
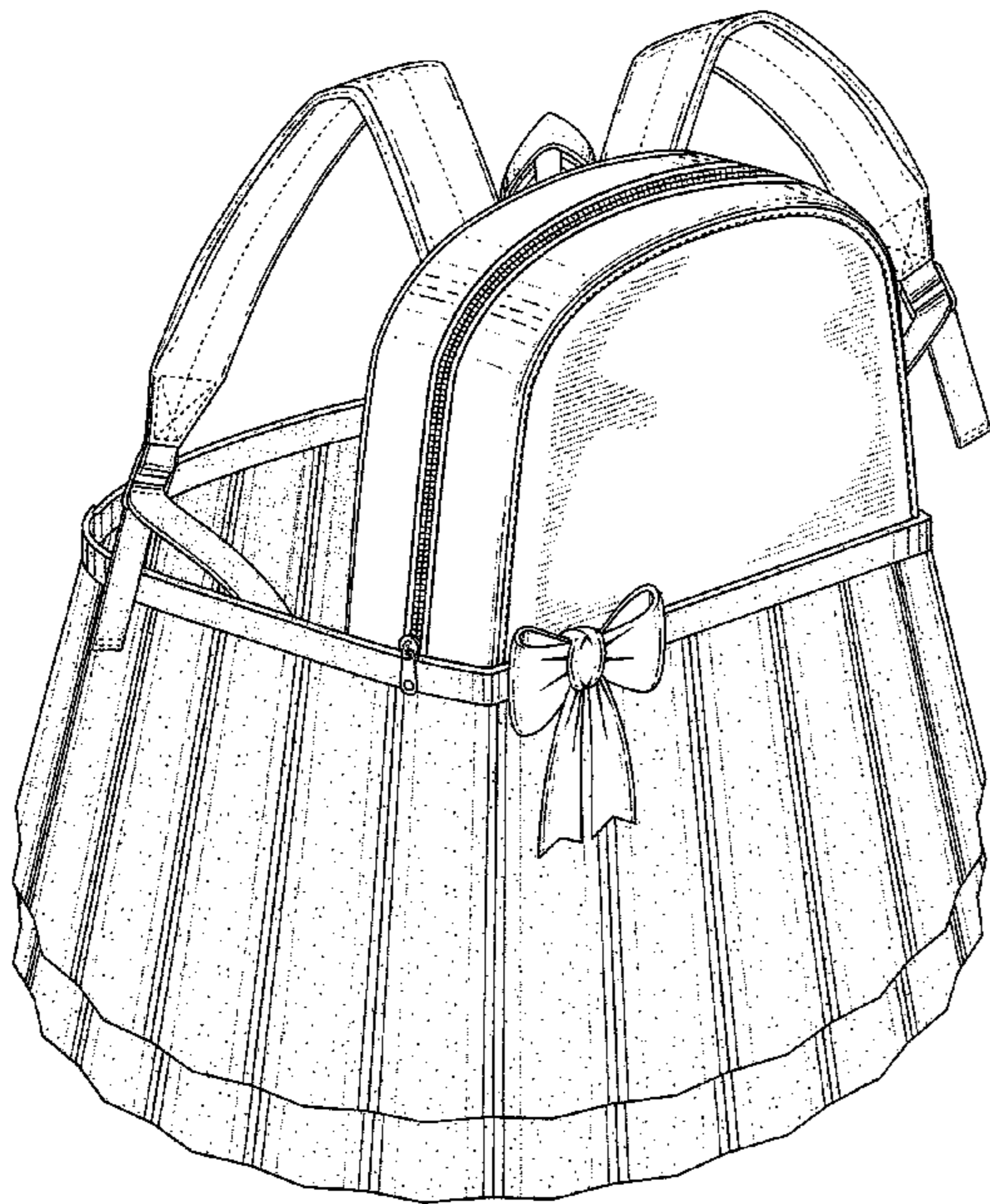
FIG. 3 is a rear elevational view of the backpack of FIG. 1; FIG. 4 is a side elevational view of the backpack of FIG. 1; FIG. 5 is a front elevational view of the backpack of FIG. 1; FIG. 6 is an opposite side elevational view of the backpack of FIG. 4;

FIG. 7 is a top plan view of the backpack of FIG. 1; and,

FIG. 8 is a bottom plan view of the backpack of FIG. 1.

The dotted lines in the figure views depict stitching which does not form a part of the claimed design.

1 Claim, 8 Drawing Sheets



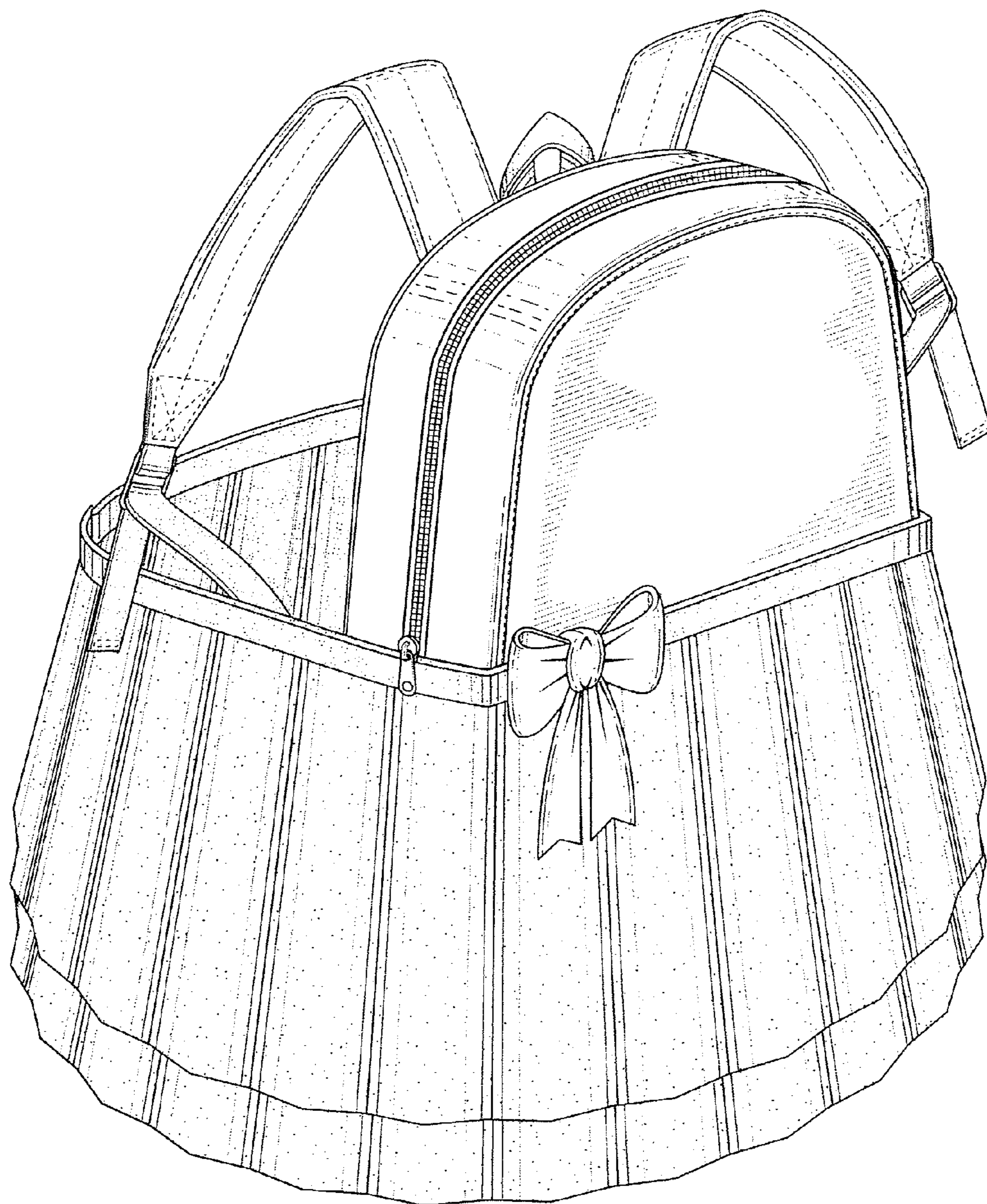


FIG. 1

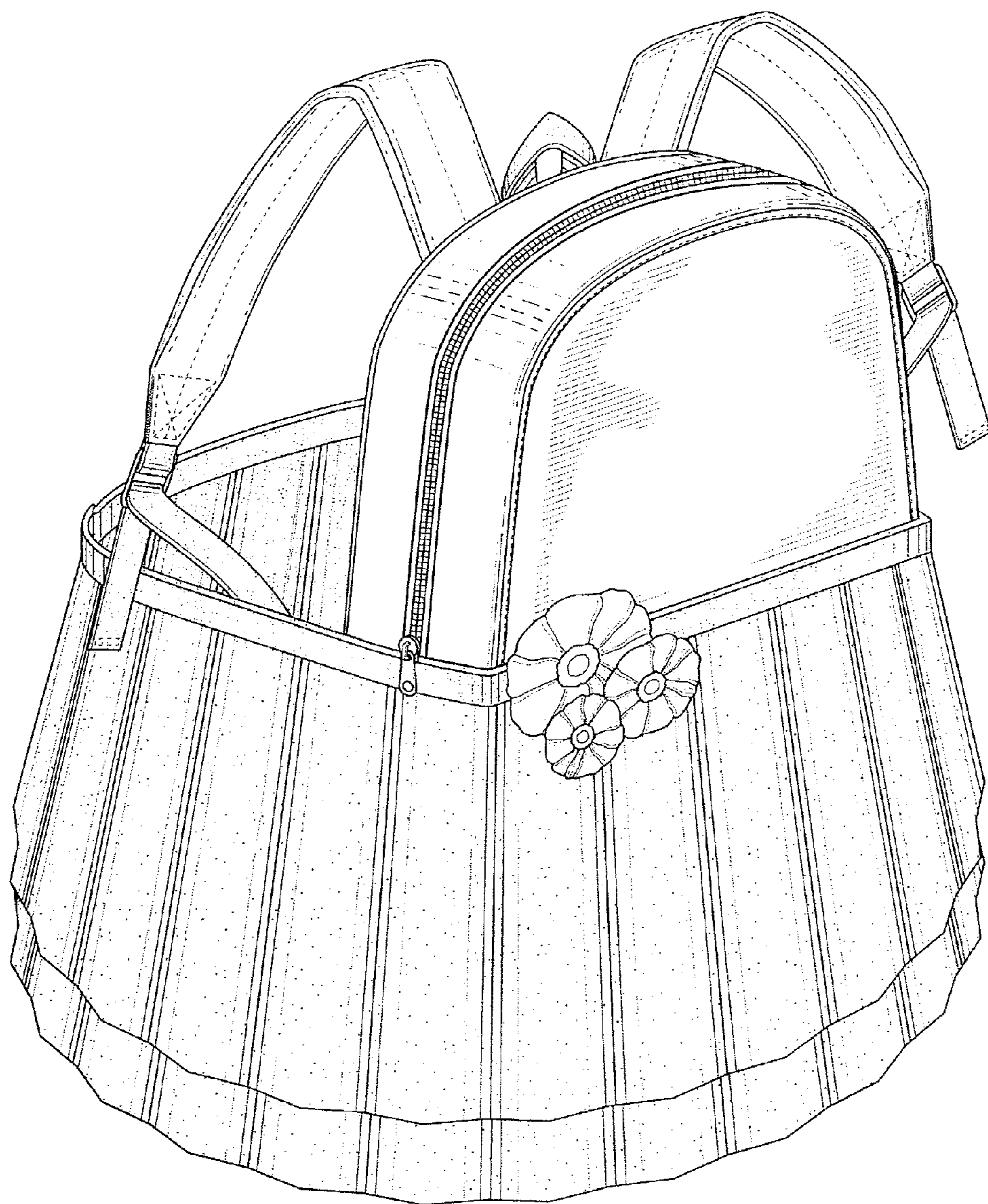


FIG. 2

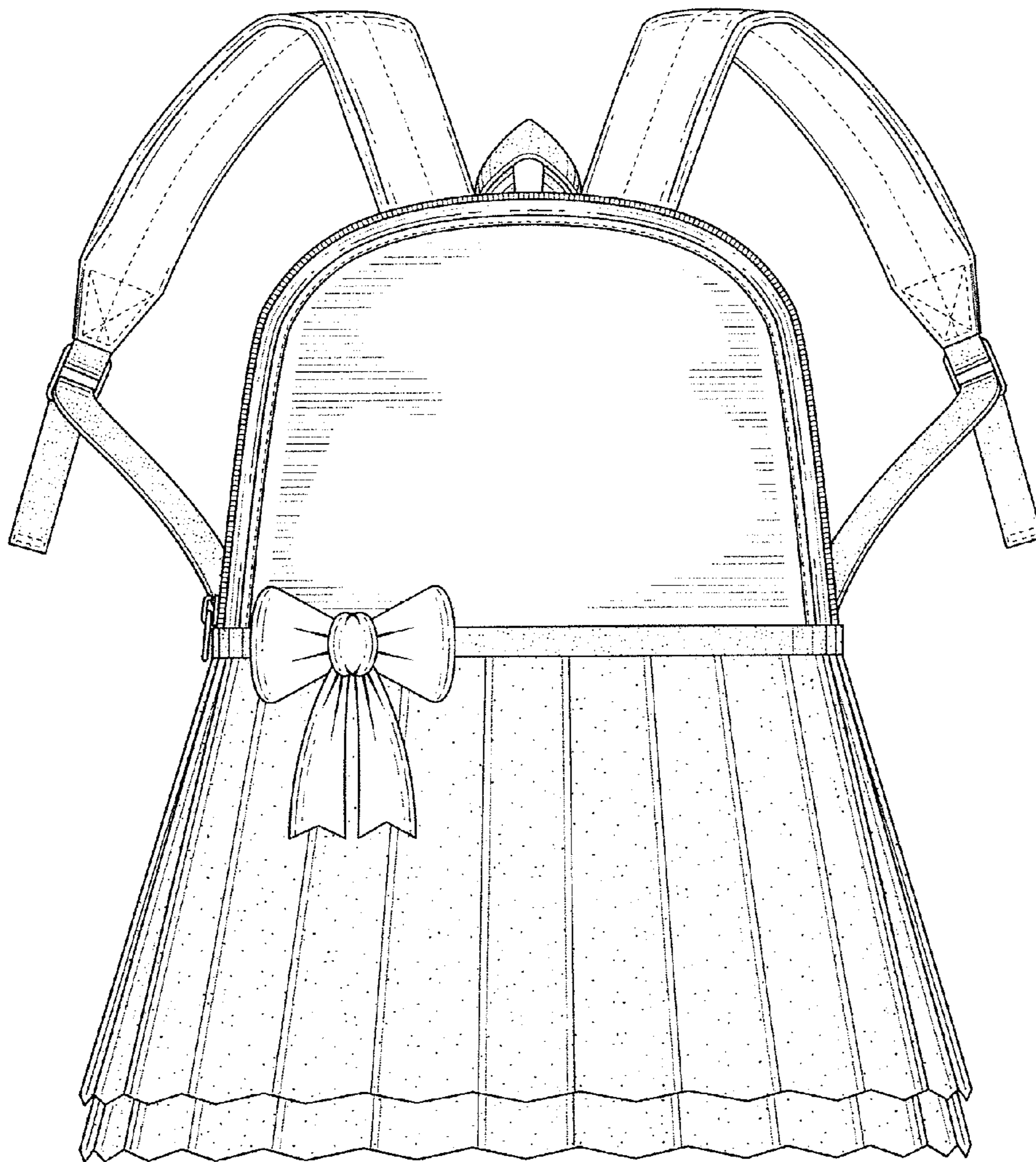


FIG. 3

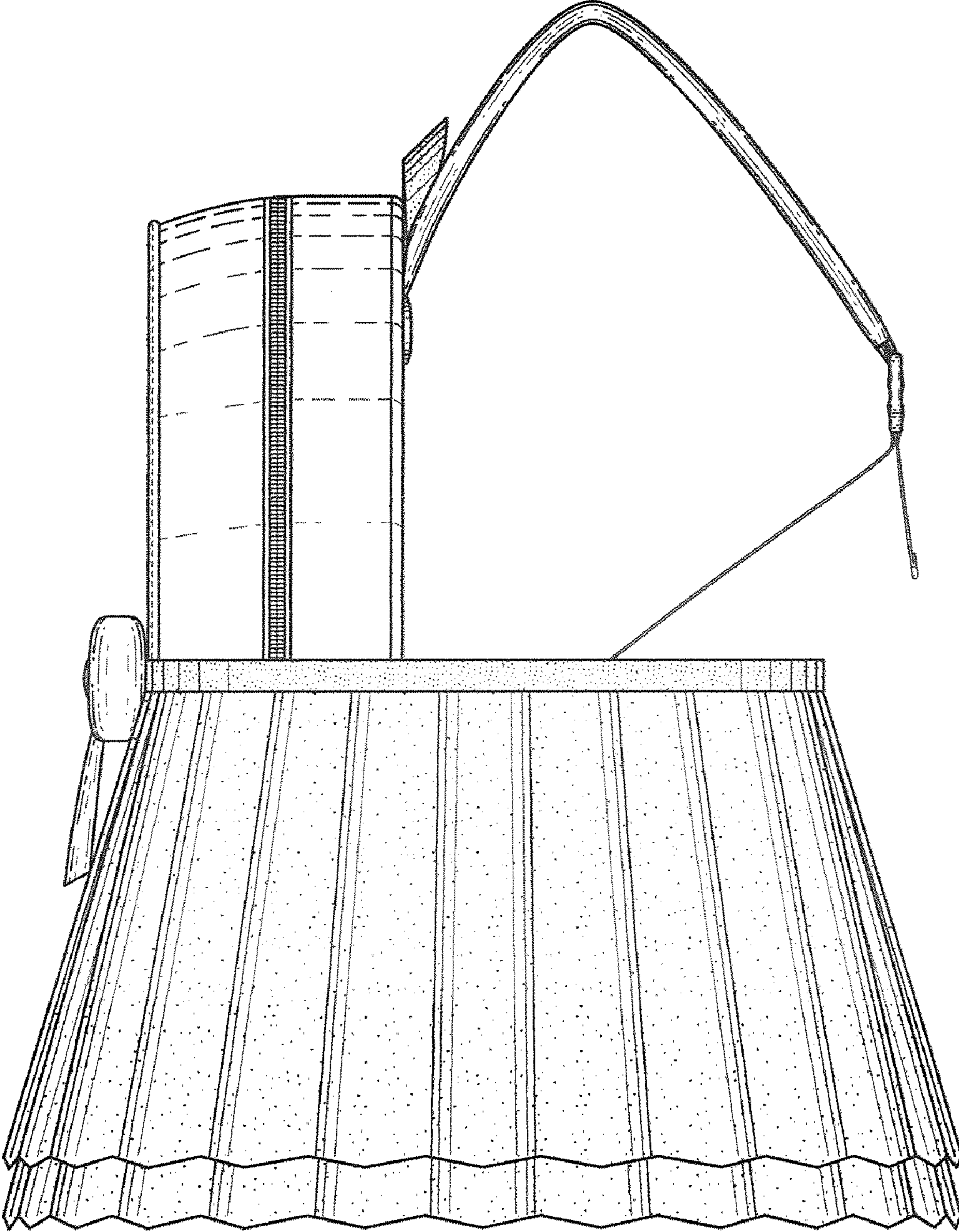


FIG. 4

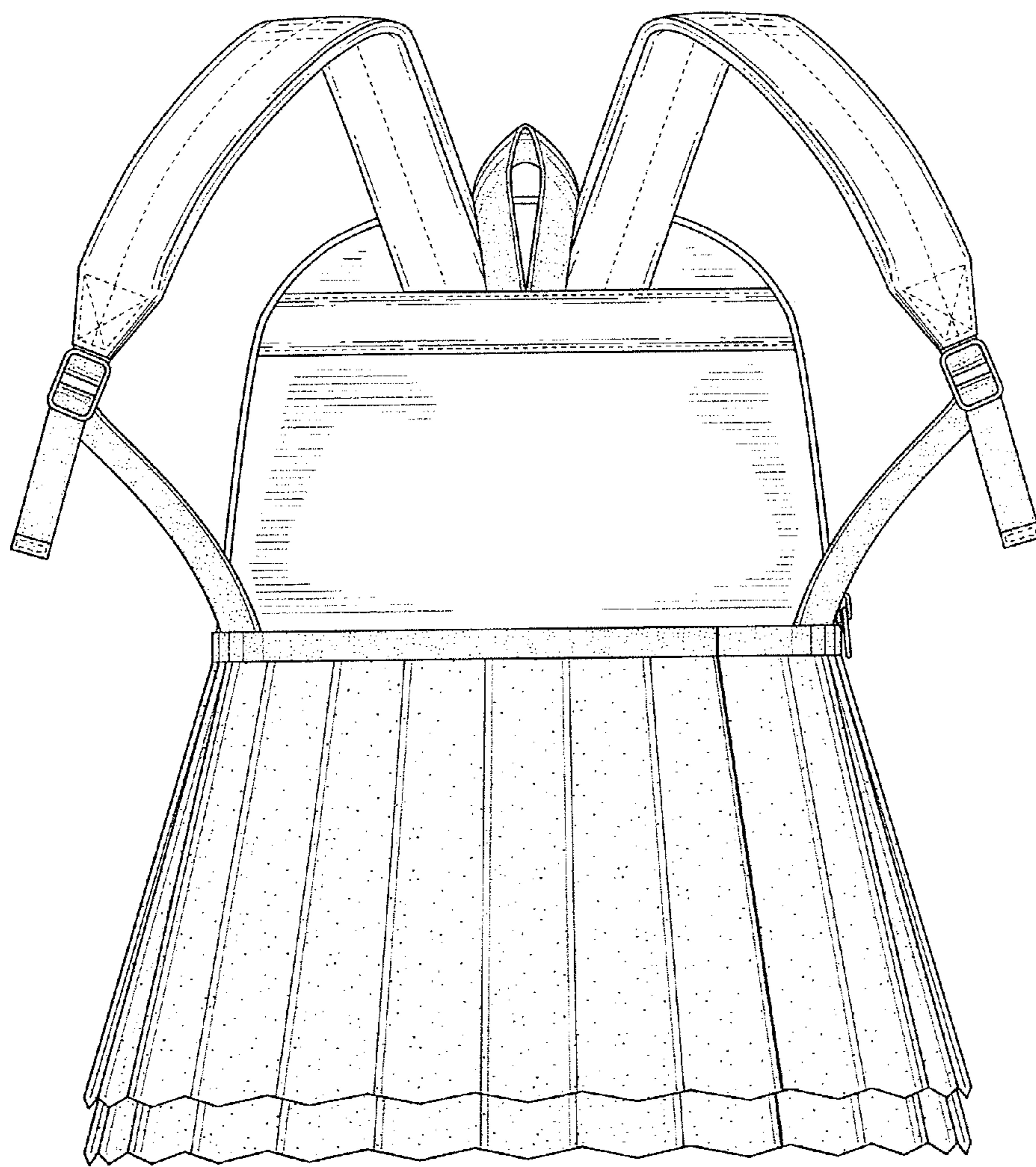


FIG. 5

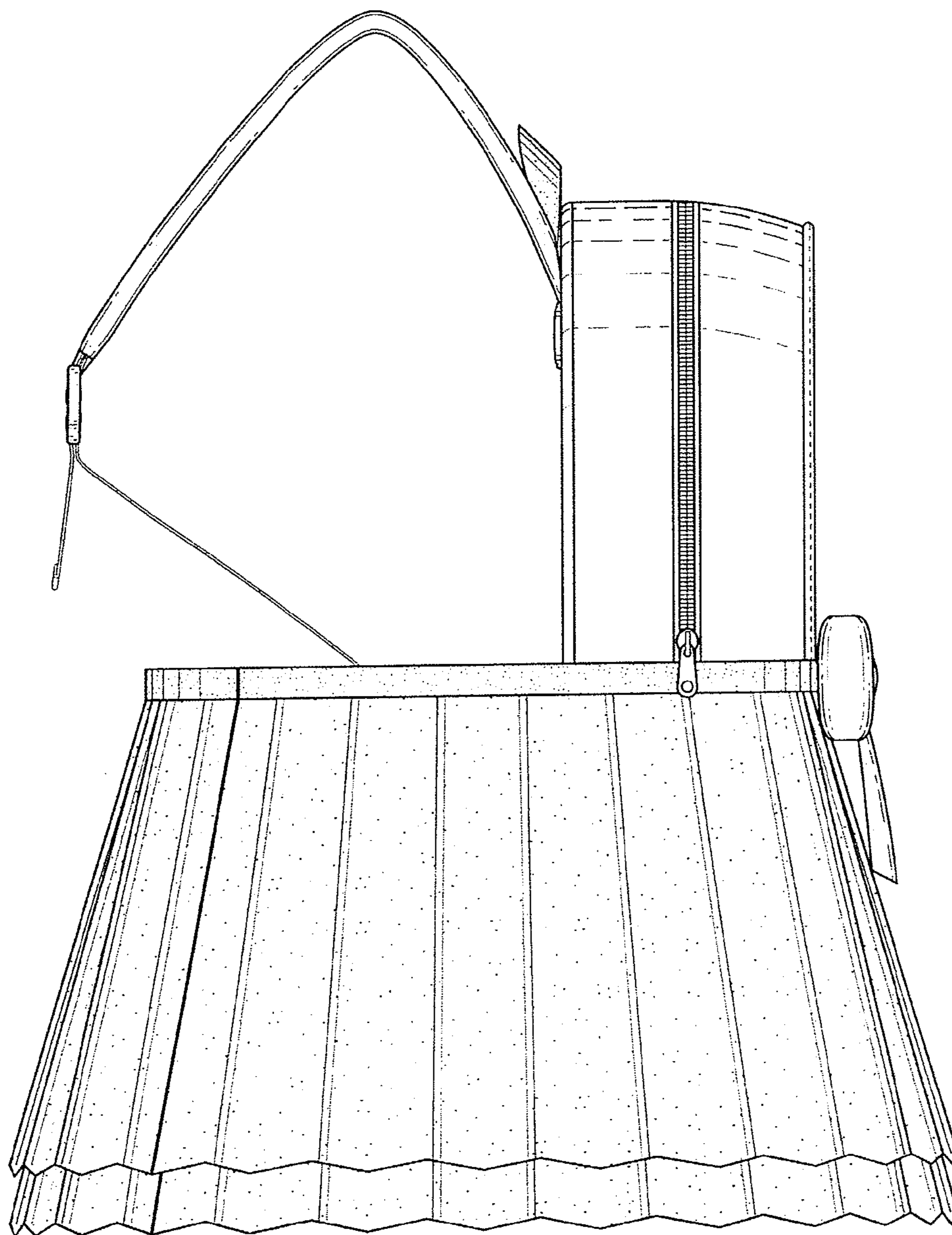


FIG. 6

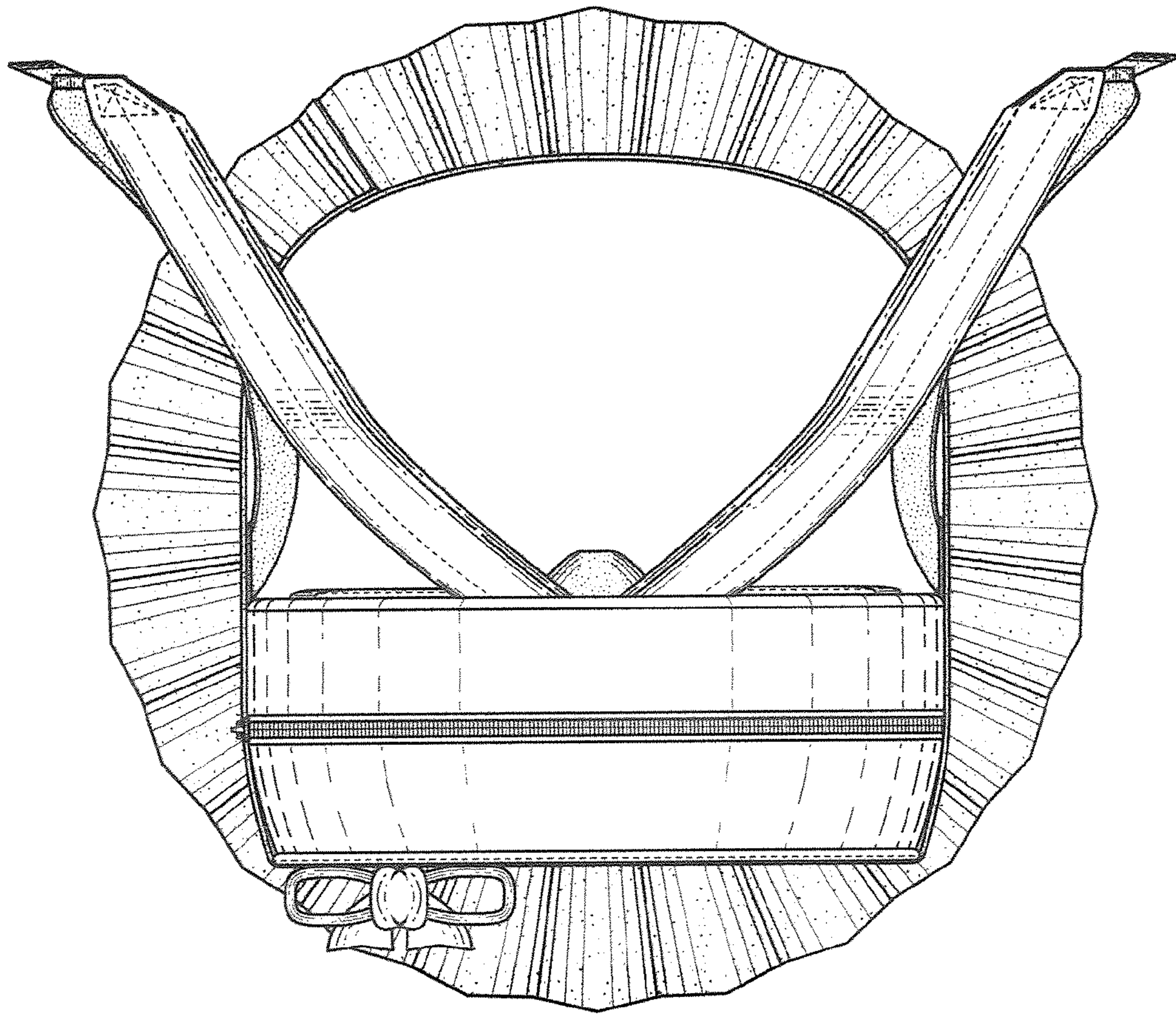


FIG. 7

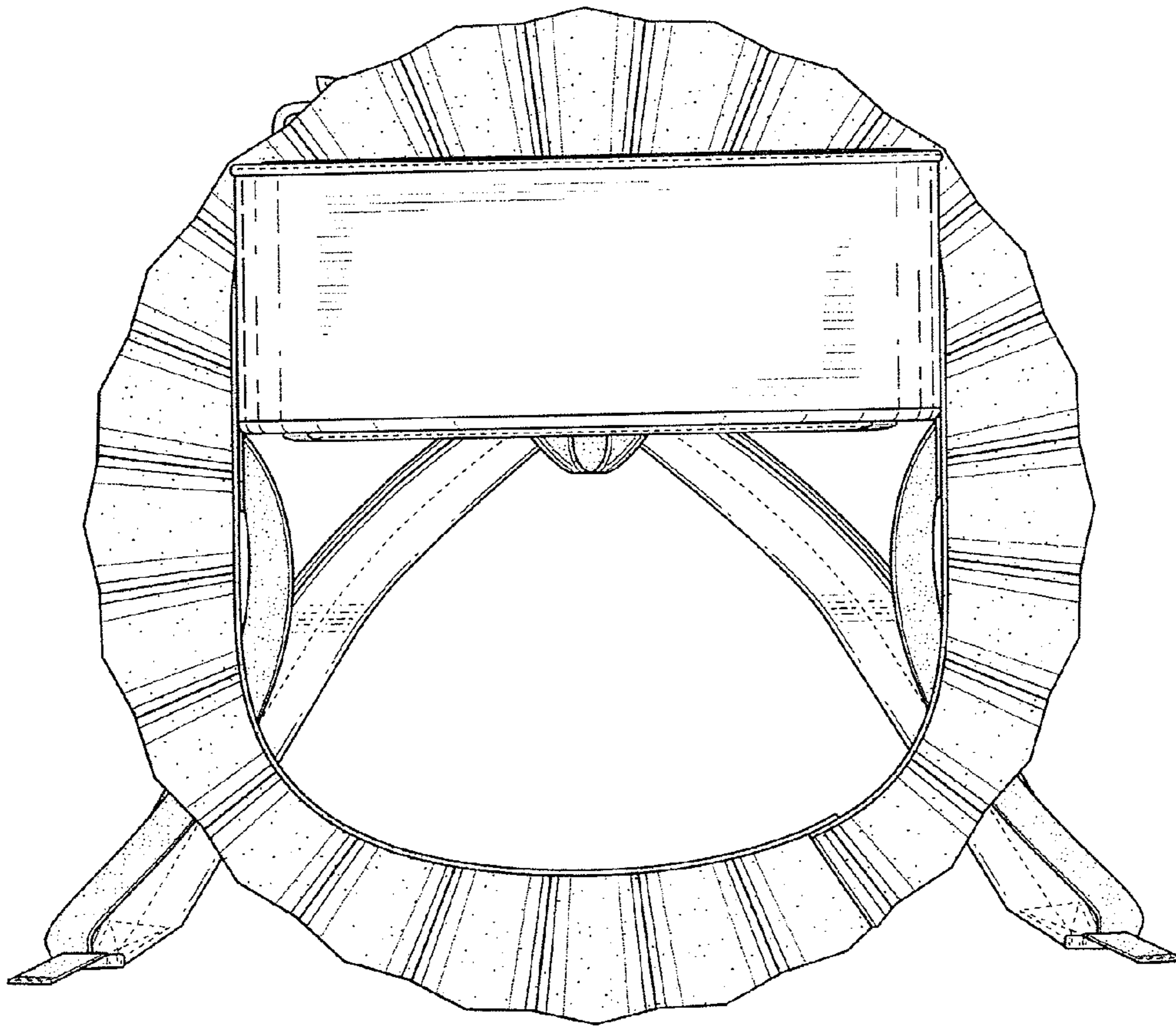


FIG. 8