

US00D631243S

(12) **United States Design Patent**
Forthuber et al.

(10) **Patent No.:** **US D631,243 S**
(45) **Date of Patent:** **** Jan. 25, 2011**

(54) **LIFT MECHANISM FOR AN UMBRELLA OR THE LIKE**

(75) Inventors: **Herbert Forthuber**, Simbach (DE);
Bernhard Rothbacher, Salzburg (AT)

(73) Assignee: **doppler E. Doppler & Co. GmbH**,
Braunau-Ranshofen (AT)

(**) Term: **14 Years**

(21) Appl. No.: **29/349,976**

(22) Filed: **May 24, 2010**

(30) **Foreign Application Priority Data**

Nov. 24, 2009 (EM) 001639469-0001

(51) **LOC (9) Cl.** **03-03**

(52) **U.S. Cl.** **D3/10**

(58) **Field of Classification Search** D3/10;
135/28, 38-42, 15.1

See application file for complete search history.

(56) **References Cited**

U.S. PATENT DOCUMENTS

90,883	A *	6/1869	Florac	135/28
174,880	A *	3/1876	Smith	135/39
276,788	A *	5/1883	Warfield	135/30
314,394	A *	3/1885	Powell	135/28
501,089	A *	7/1893	Lichtenstein	135/28
D33,847	S *	1/1901	Gaskill	D3/10
739,437	A *	9/1903	McComb	135/25.31
859,652	A *	7/1907	Gaskill	135/44
1,022,944	A *	4/1912	Hodinger	135/28
1,255,609	A *	2/1918	Howard	135/38
1,385,327	A *	7/1921	Lewis	135/38
2,528,002	A *	10/1950	Katzberg	135/39
3,424,180	A *	1/1969	Giancarlo	135/28
D219,192	S *	11/1970	Vogel	D3/10
4,576,191	A *	3/1986	Schultes et al.	135/30
D321,779	S *	11/1991	Ma	D3/10

5,184,639	A *	2/1993	Lee	135/28
5,284,171	A *	2/1994	Liu	135/20.3
5,357,994	A *	10/1994	Chung	135/22
D360,522	S *	7/1995	Ko	D3/10
5,553,634	A *	9/1996	Yang	135/25.3
D411,655	S *	6/1999	Tung	D3/10
5,911,233	A *	6/1999	Wu	135/28
6,006,771	A *	12/1999	Wu	135/41
D465,915	S *	11/2002	Earnshaw	D3/10
6,810,895	B2 *	11/2004	Lin et al.	135/28
7,082,953	B2 *	8/2006	Liu	135/38
7,178,535	B2 *	2/2007	Eder	135/28
D623,396	S *	9/2010	He	D3/10
2005/0189007	A1 *	9/2005	Su	135/39
2005/0194027	A1 *	9/2005	Ko	135/39
2006/0124161	A1 *	6/2006	Lee	135/28
2007/0283988	A1 *	12/2007	Ma	135/28
2008/0202570	A1 *	8/2008	Clarke	135/28

* cited by examiner

Primary Examiner—Celia A Murphy

Assistant Examiner—John Windmuller

(74) *Attorney, Agent, or Firm*—Collard & Roe, P.C.

(57) **CLAIM**

The ornamental design for a lift mechanism for an umbrella or the like, as shown and described.

DESCRIPTION

FIG. 1 shows a front view of a lift mechanism for an umbrella or the like, showing our new design;

FIG. 2 shows a rear view thereof;

FIG. 3 shows a right side view thereof;

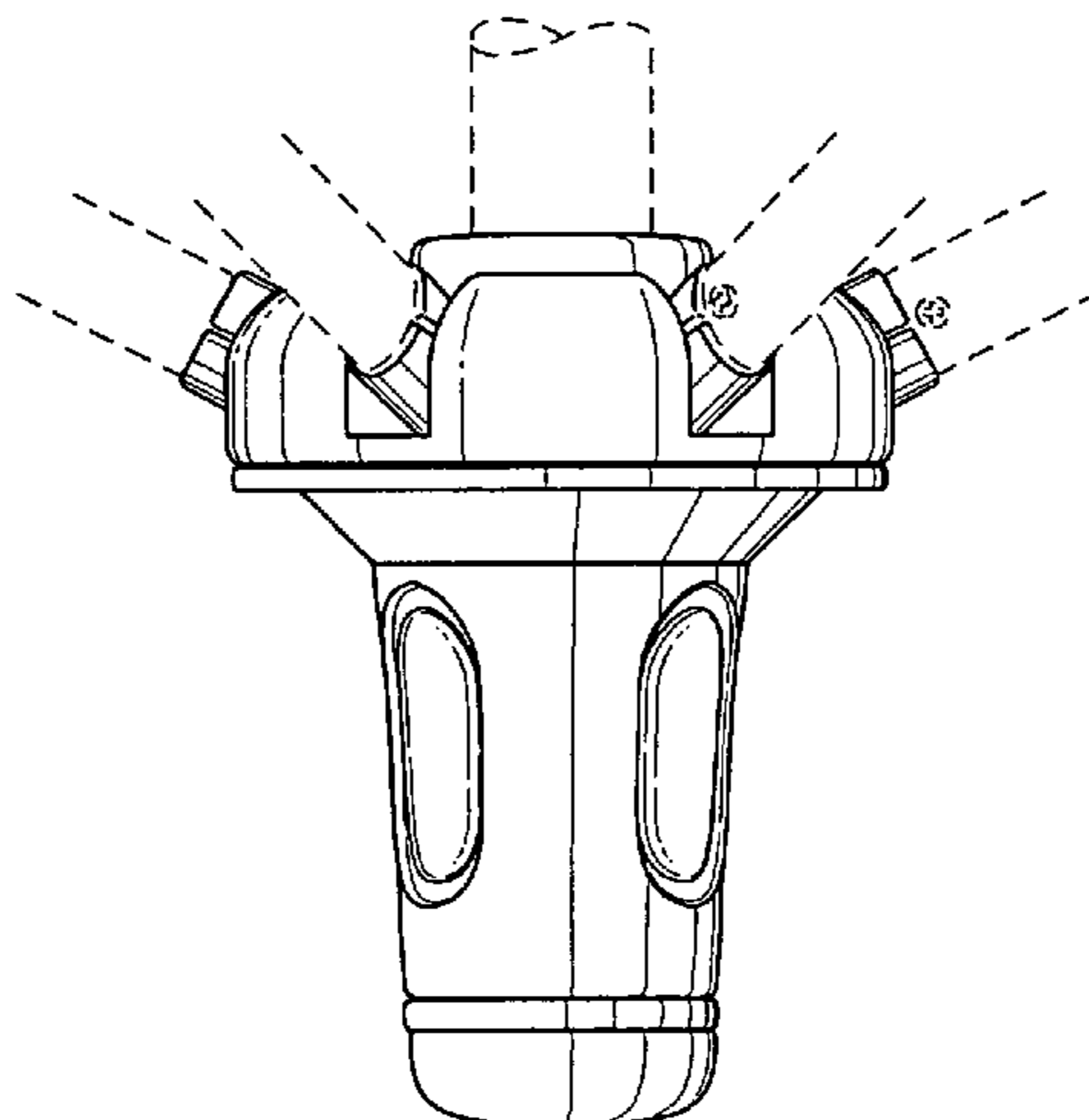
FIG. 4 shows a left side view thereof;

FIG. 5 show a bottom view thereof; and,

FIG. 6 shows a top view thereof.

The elements shown in broken lines form no part of the claimed design.

1 Claim, 3 Drawing Sheets



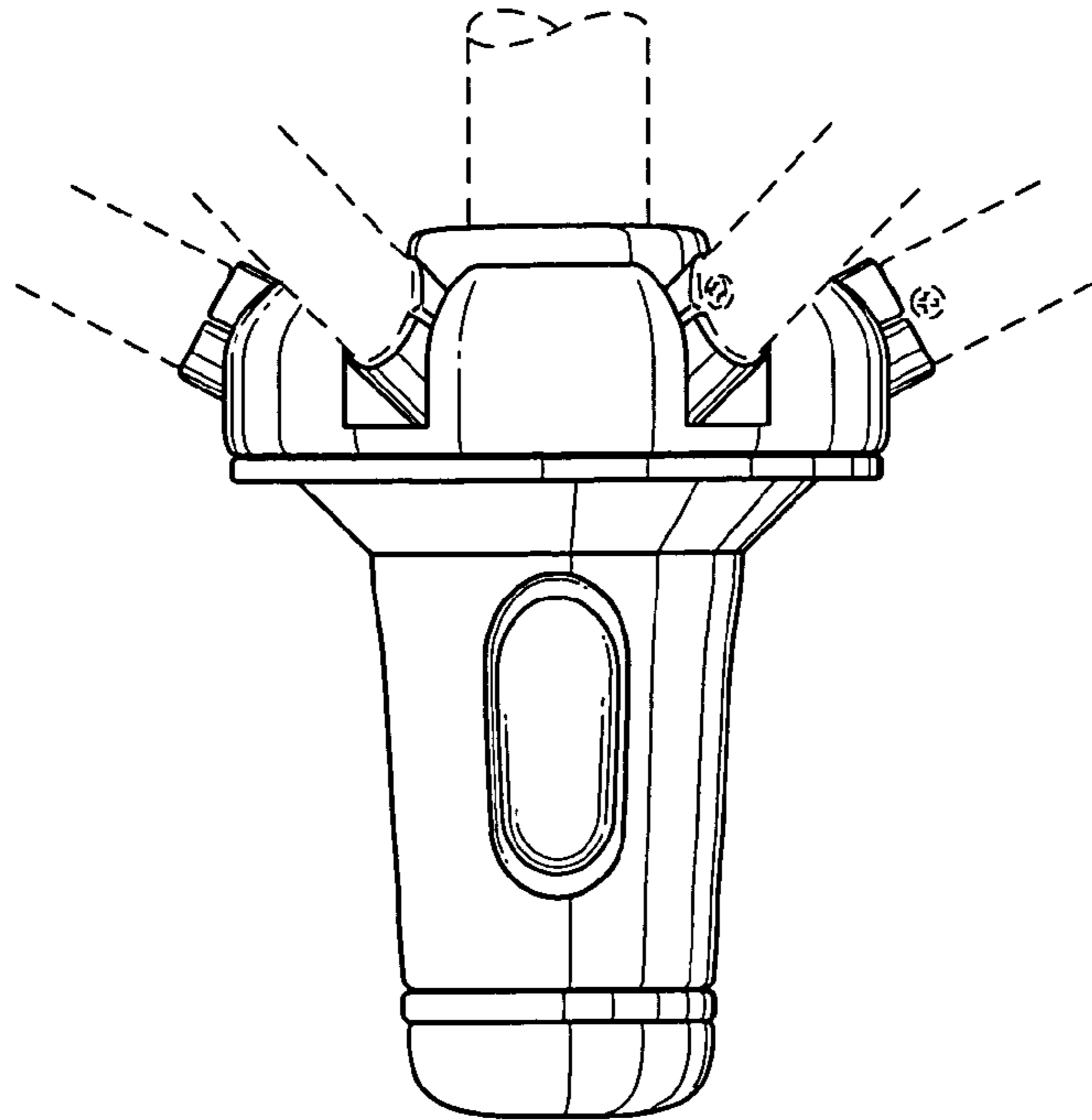


FIG. 1

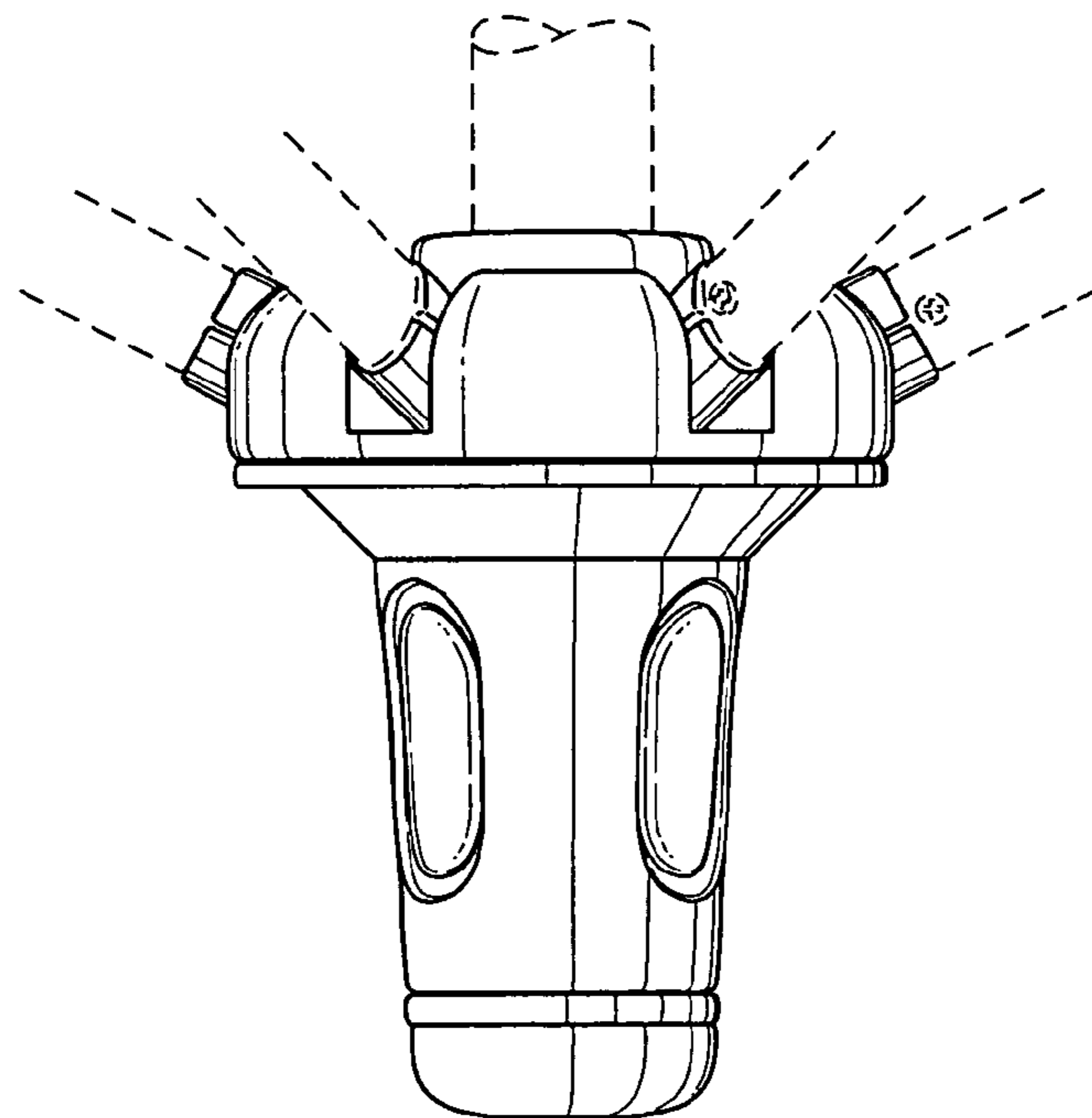


FIG. 2

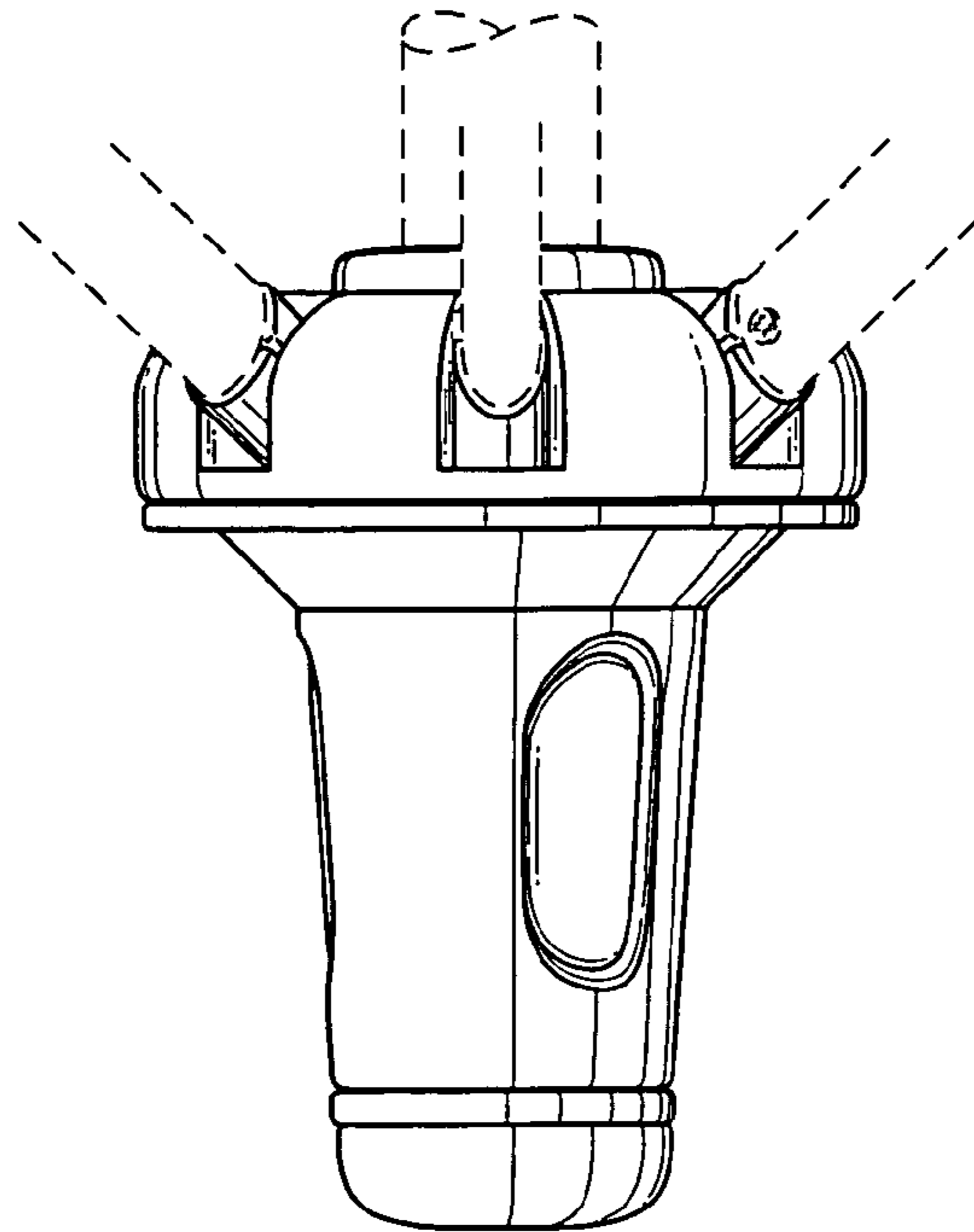


FIG. 3

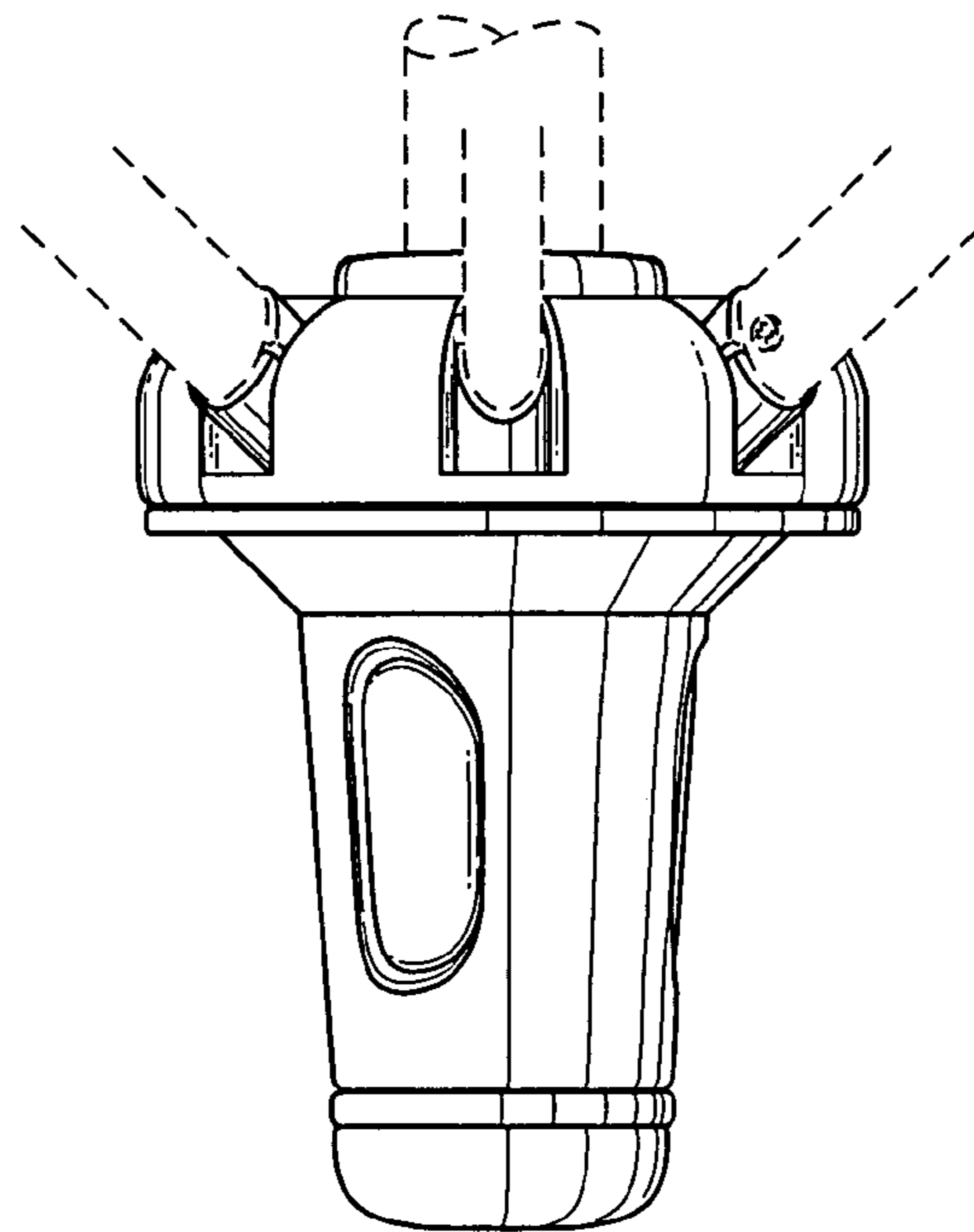


FIG. 4

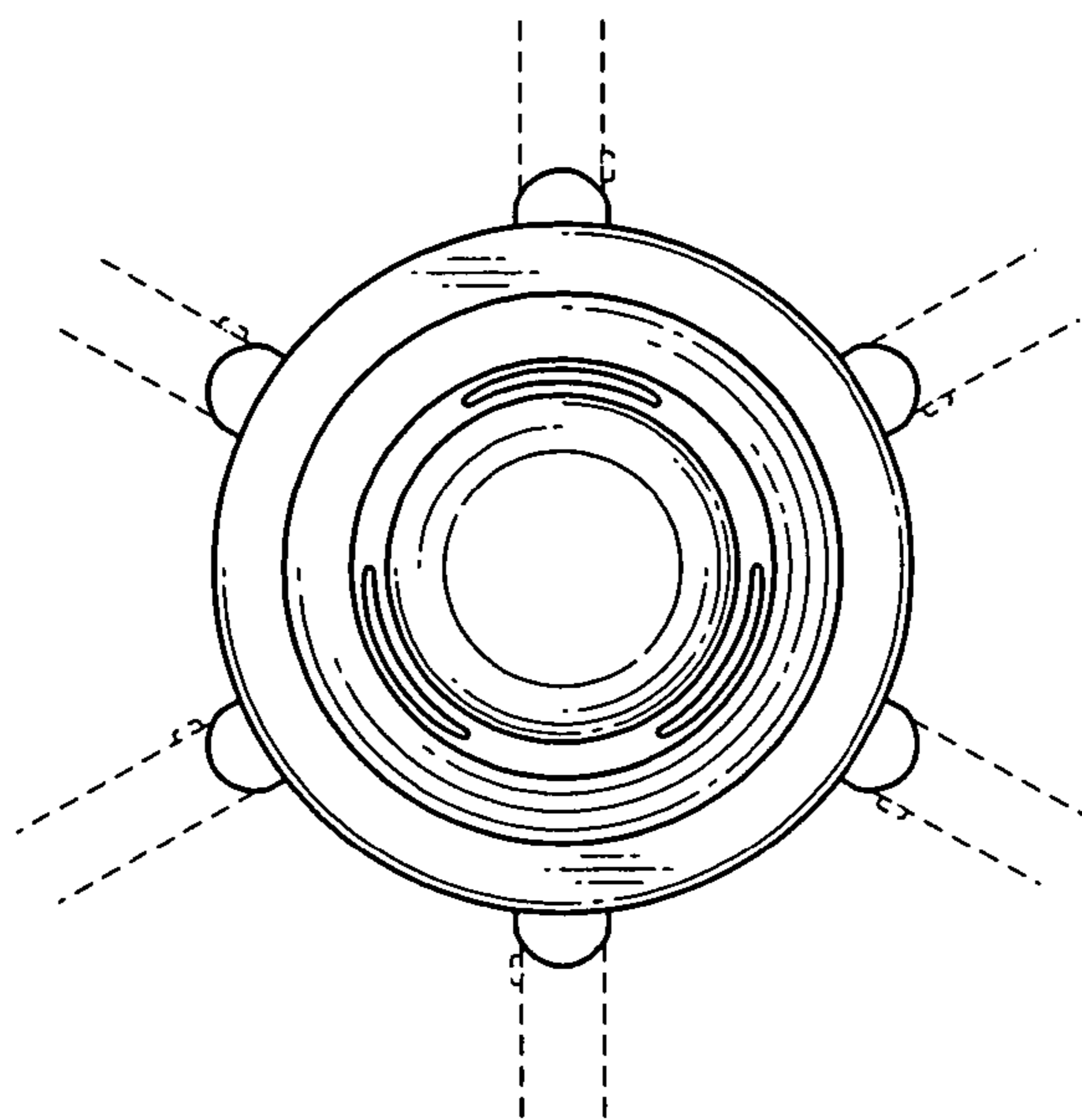


FIG. 5

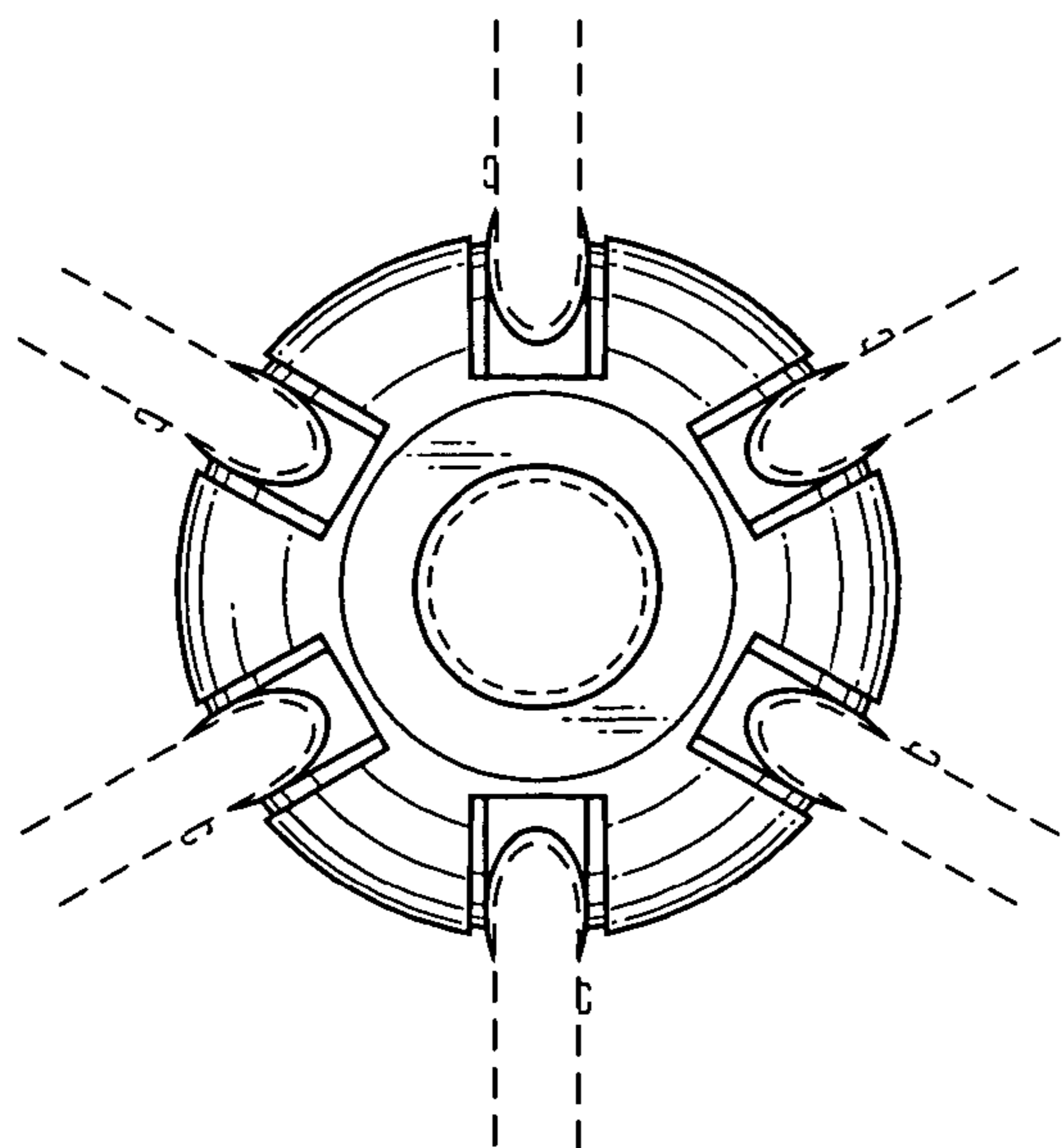


FIG. 6