



US00D631242S

(12) **United States Design Patent**  
**Sirdofsky et al.**

(10) **Patent No.:** **US D631,242 S**  
(45) **Date of Patent:** **\*\* Jan. 25, 2011**

(54) **SNEAKER JEWELRY WITH CROWN IMAGE**

D600,158 S \* 9/2009 Berich ..... D11/95  
D604,940 S \* 12/2009 Collier ..... D2/976  
D621,298 S \* 8/2010 Bruny ..... D11/223

(75) Inventors: **Katrina Sirdofsky**, West Hollywood,  
CA (US); **Guillermo Andrade**, West  
Hollywood, CA (US)

\* cited by examiner

(73) Assignee: **Sneaker Crowns, Inc.**, West Hollywood,  
CA (US)

*Primary Examiner*—Stella M Reid

*Assistant Examiner*—Keli L Hill

(74) *Attorney, Agent, or Firm*—Christie, Parker & Hale, LLP

(\*\*) Term: **14 Years**

(57) **CLAIM**

(21) Appl. No.: **29/345,080**

The ornamental design for sneaker jewelry with crown image,  
as shown and described.

(22) Filed: **Oct. 8, 2009**

**DESCRIPTION**

(51) **LOC (9) Cl.** ..... **02-07**

(52) **U.S. Cl.** ..... **D2/976**

(58) **Field of Classification Search** ..... D2/898,  
D2/946, 976, 978; D11/1, 40, 41, 43, 44,  
D11/79, 86, 89, 95, 99, 157, 184, 200, 222,  
D11/223, 226, 229, 238; 63/14.6; 24/37,  
24/713.6; 36/71.5

See application file for complete search history.

FIG. 1 is a top perspective view of sneaker jewelry with crown  
image, embodying my new design;

FIG. 2 is a top perspective view of the upper portion thereof,  
shown separately for ease of illustration;

FIG. 3 is a top plan view thereof;

FIG. 4 is a bottom plan view thereof;

FIG. 5 is a front elevation view thereof;

FIG. 6 is a rear elevation view thereof;

FIG. 7 is a left side elevation view thereof;

FIG. 8 is a right side elevation view thereof;

FIG. 9 is a top perspective view of the lower portion thereof,  
shown separately for ease of illustration;

FIG. 10 is a side elevation view thereof;

FIG. 11 is a top plan view thereof; and,

FIG. 12 is a bottom plan view thereof.

(56) **References Cited**

U.S. PATENT DOCUMENTS

D22,824 S \* 10/1893 McGill ..... D19/65  
D103,585 S \* 3/1937 Oswell ..... D2/976  
D206,949 S \* 2/1967 Kirchner ..... D11/223  
D365,045 S \* 12/1995 Mercurio ..... D11/220  
D383,085 S \* 9/1997 Nyqvist ..... D11/86  
D421,677 S \* 3/2000 Silagy ..... D2/978  
D465,994 S \* 11/2002 Kelleghan ..... D8/356  
D554,847 S \* 11/2007 Schmelzer et al. .... D2/976  
D578,299 S \* 10/2008 Dennis ..... D2/976  
D592,097 S \* 5/2009 Androuais ..... D11/222

**1 Claim, 9 Drawing Sheets**

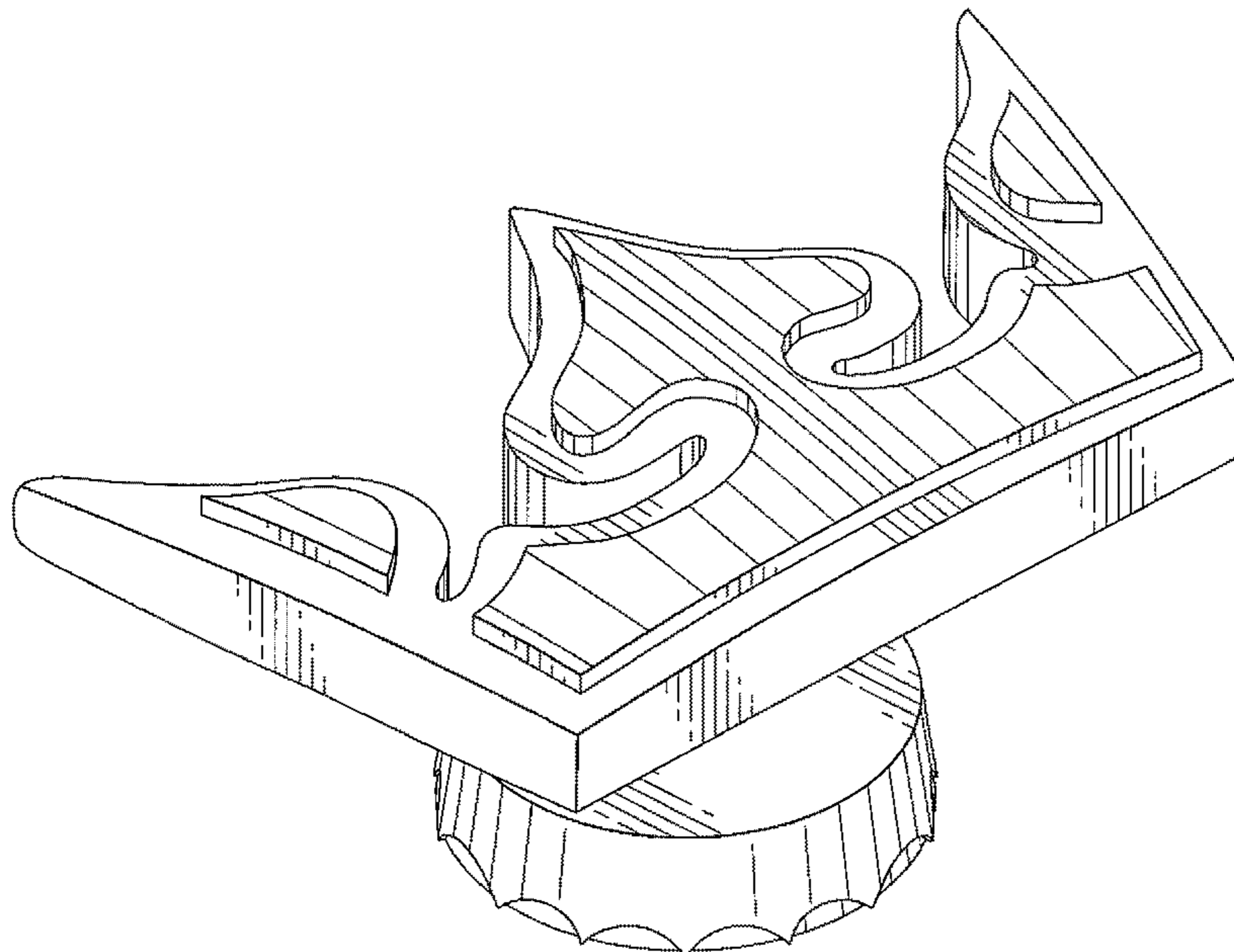


FIG. 1

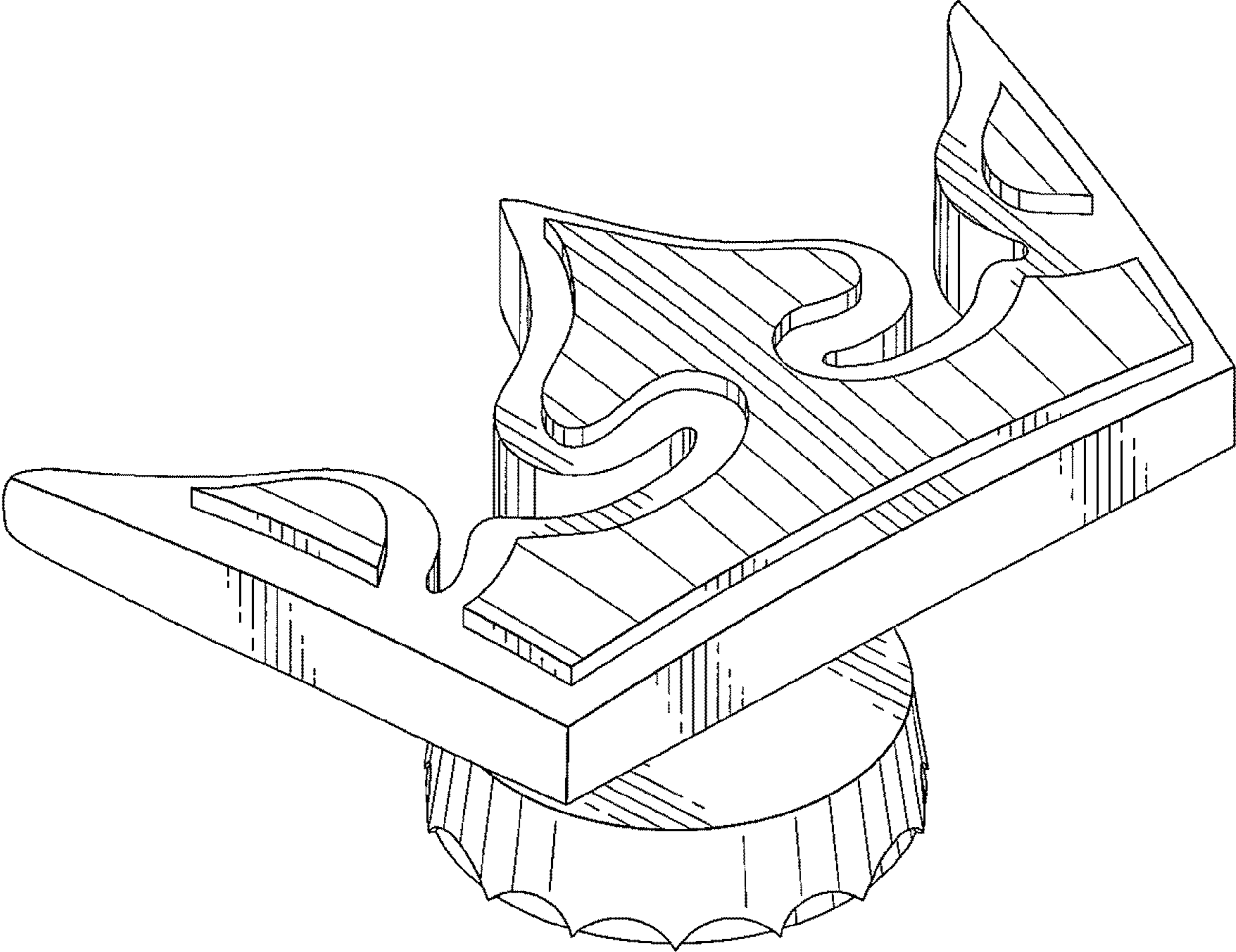


FIG. 2

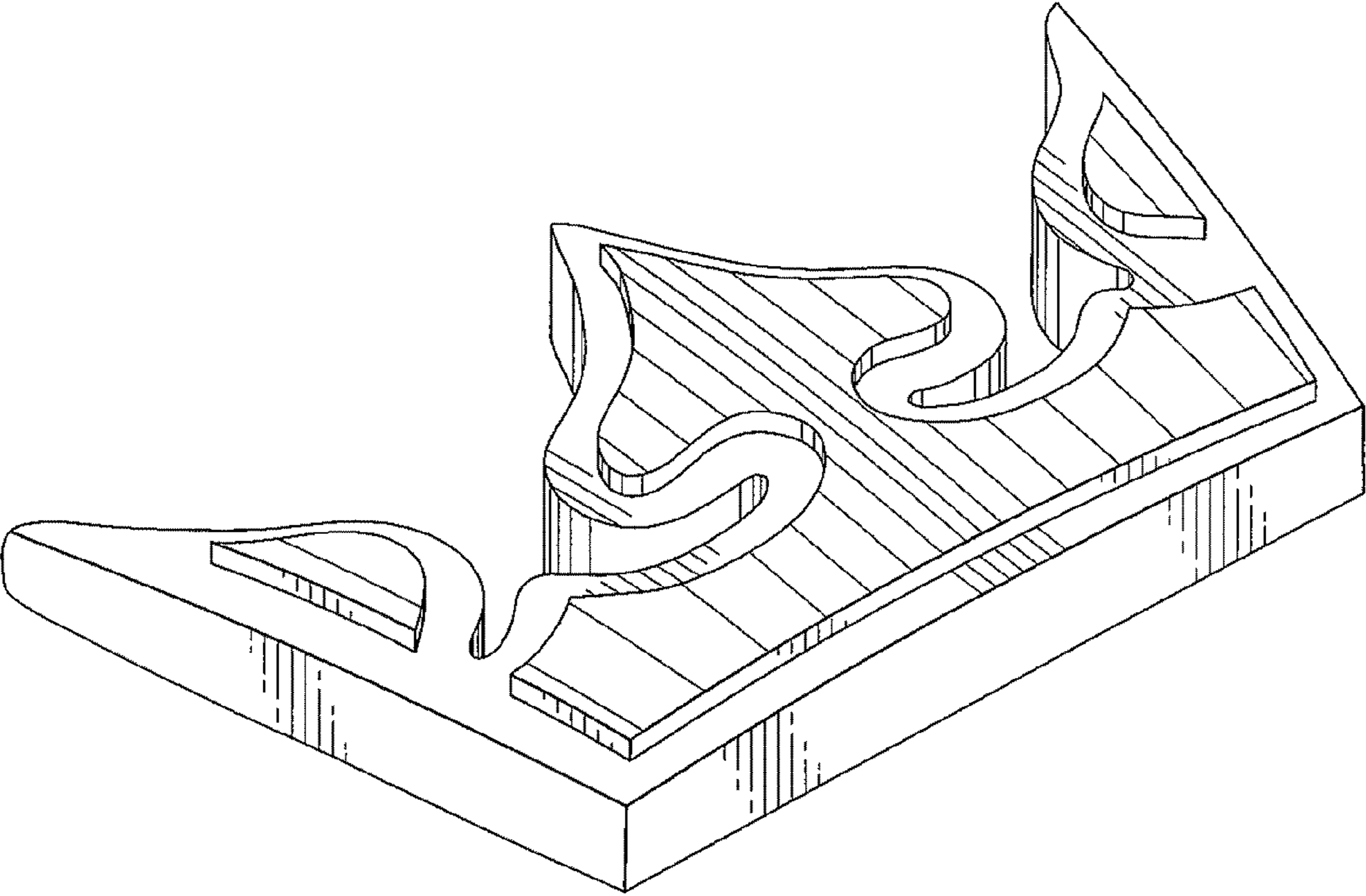


FIG. 3

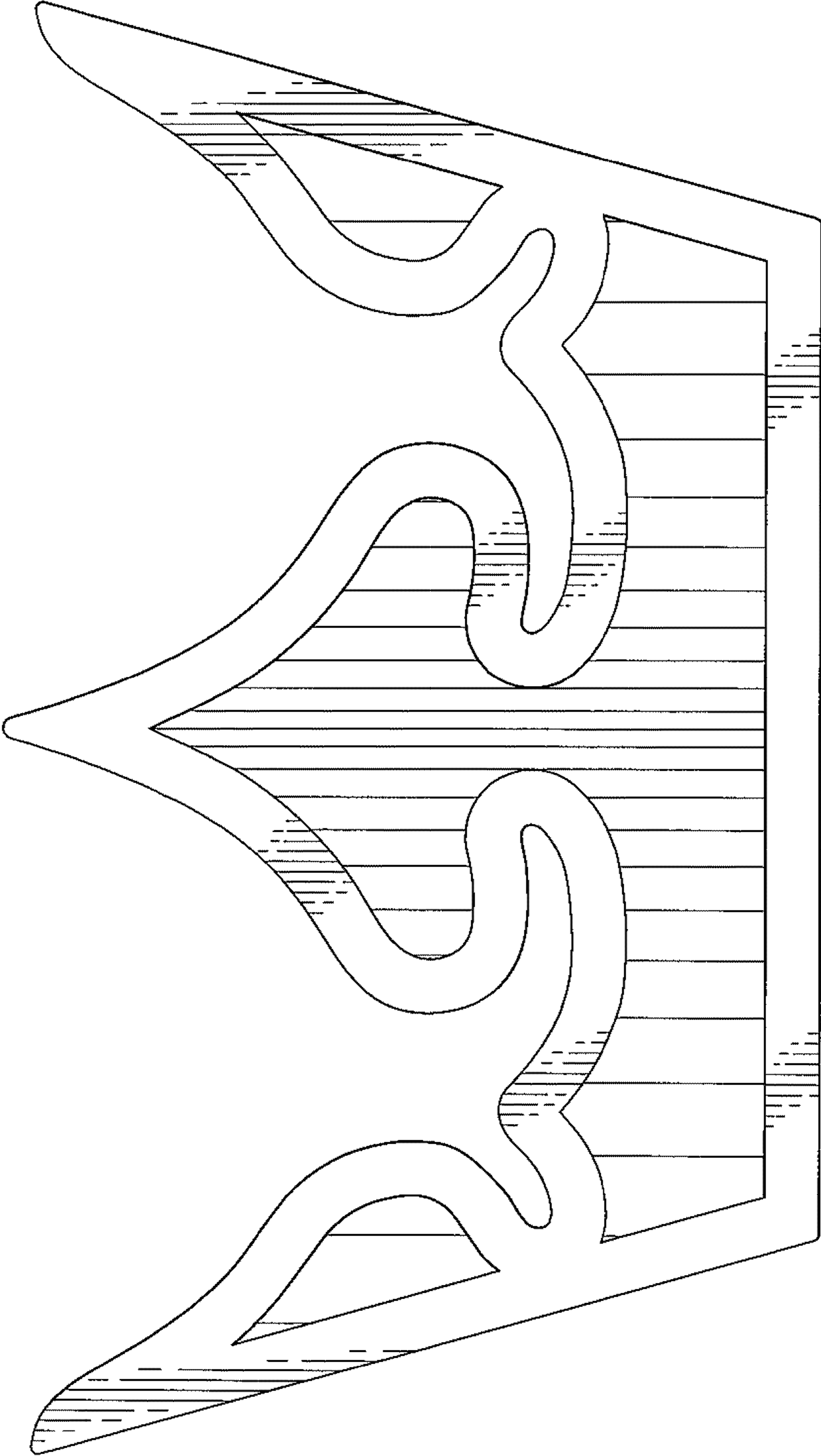


FIG. 4

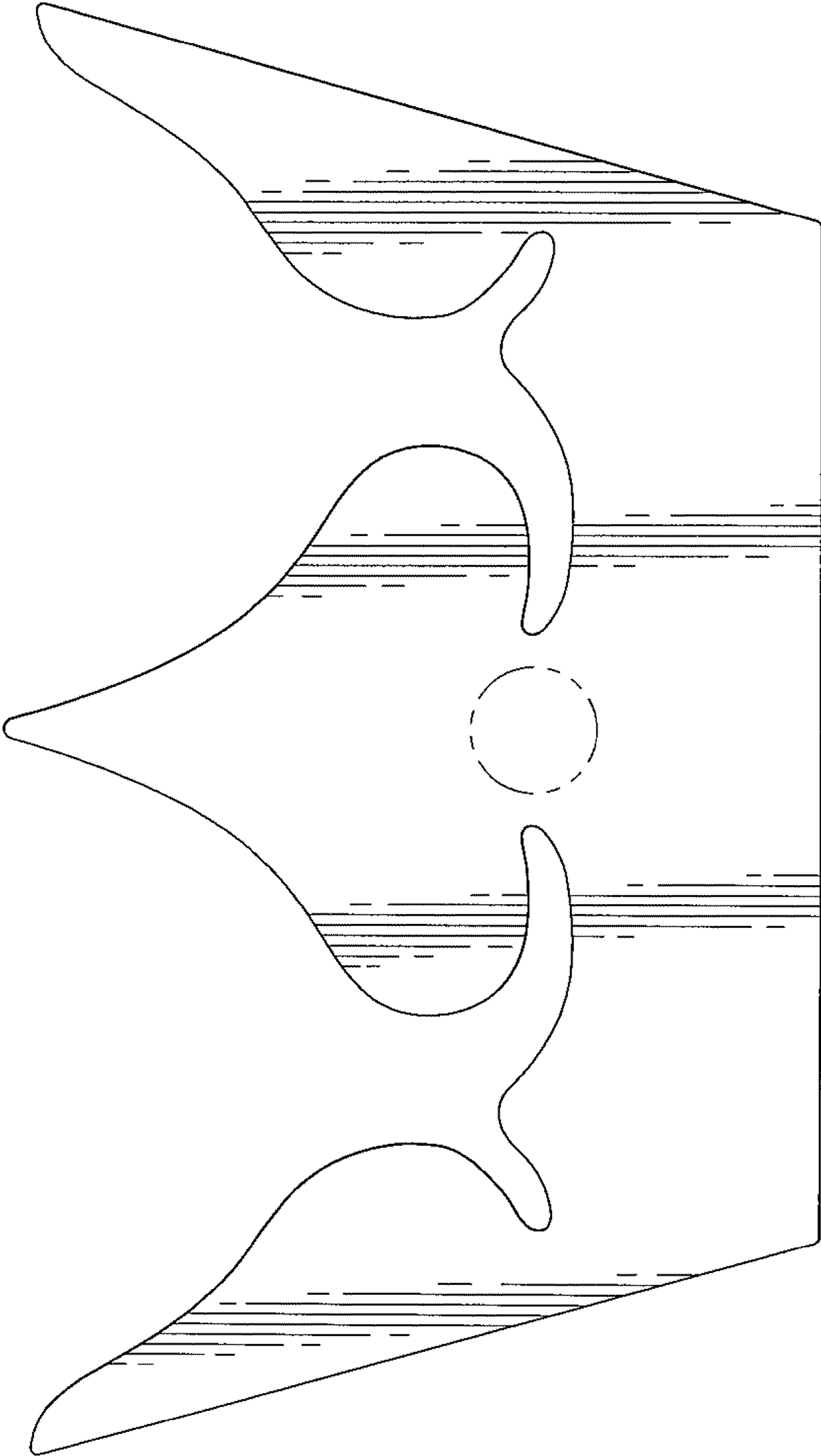


FIG. 5

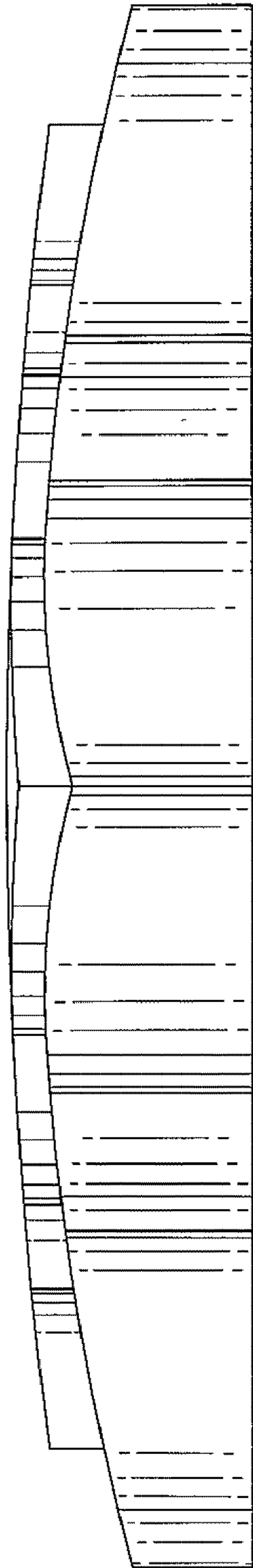


FIG. 6

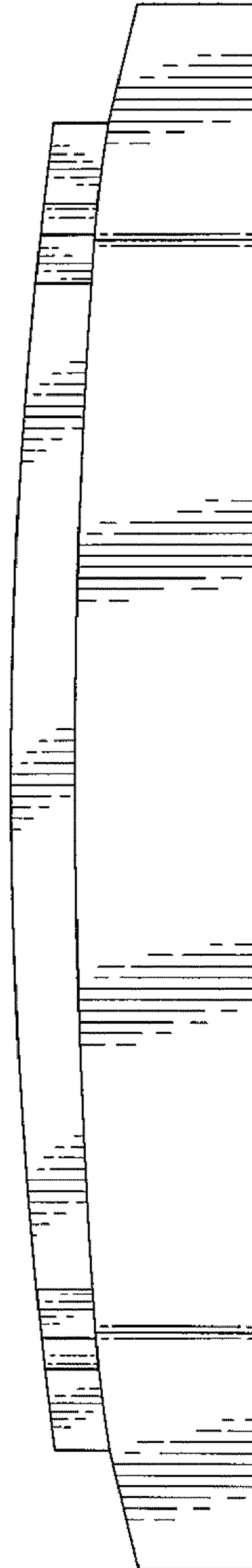


FIG. 8

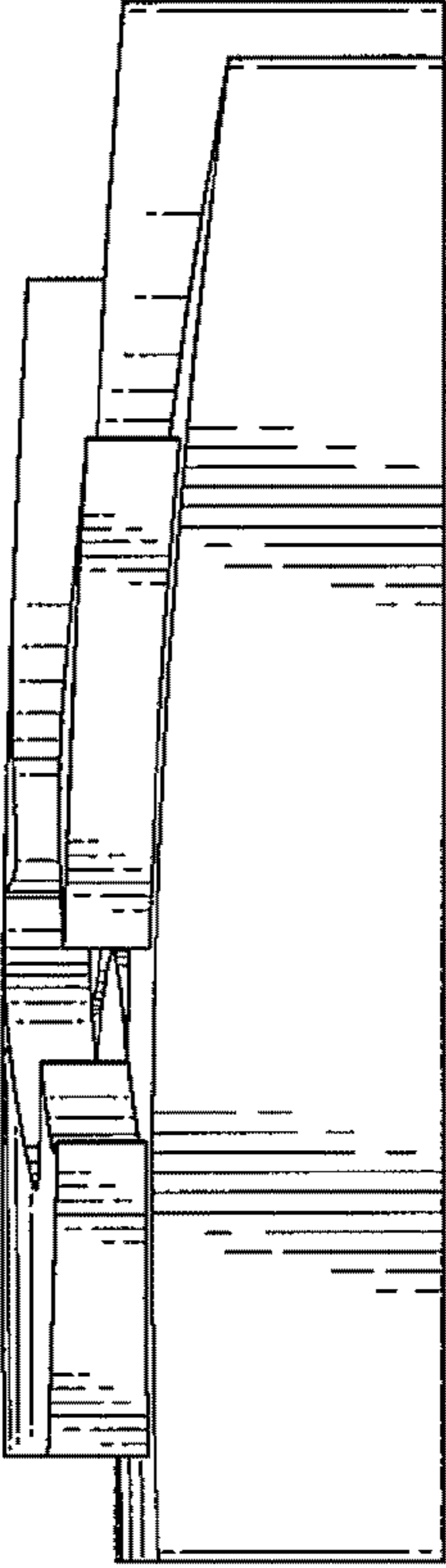
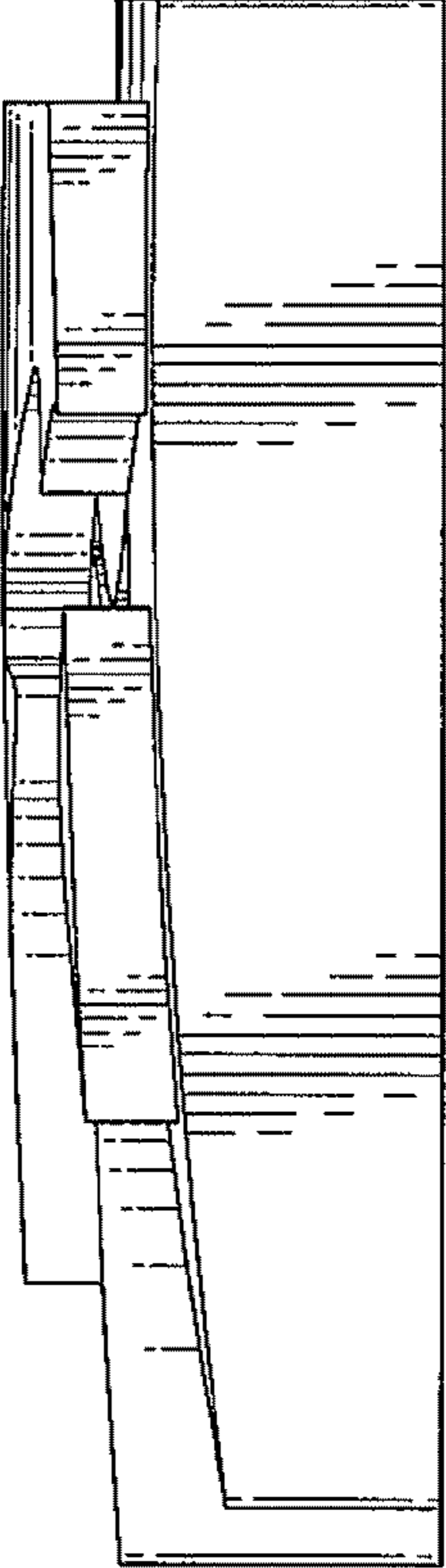
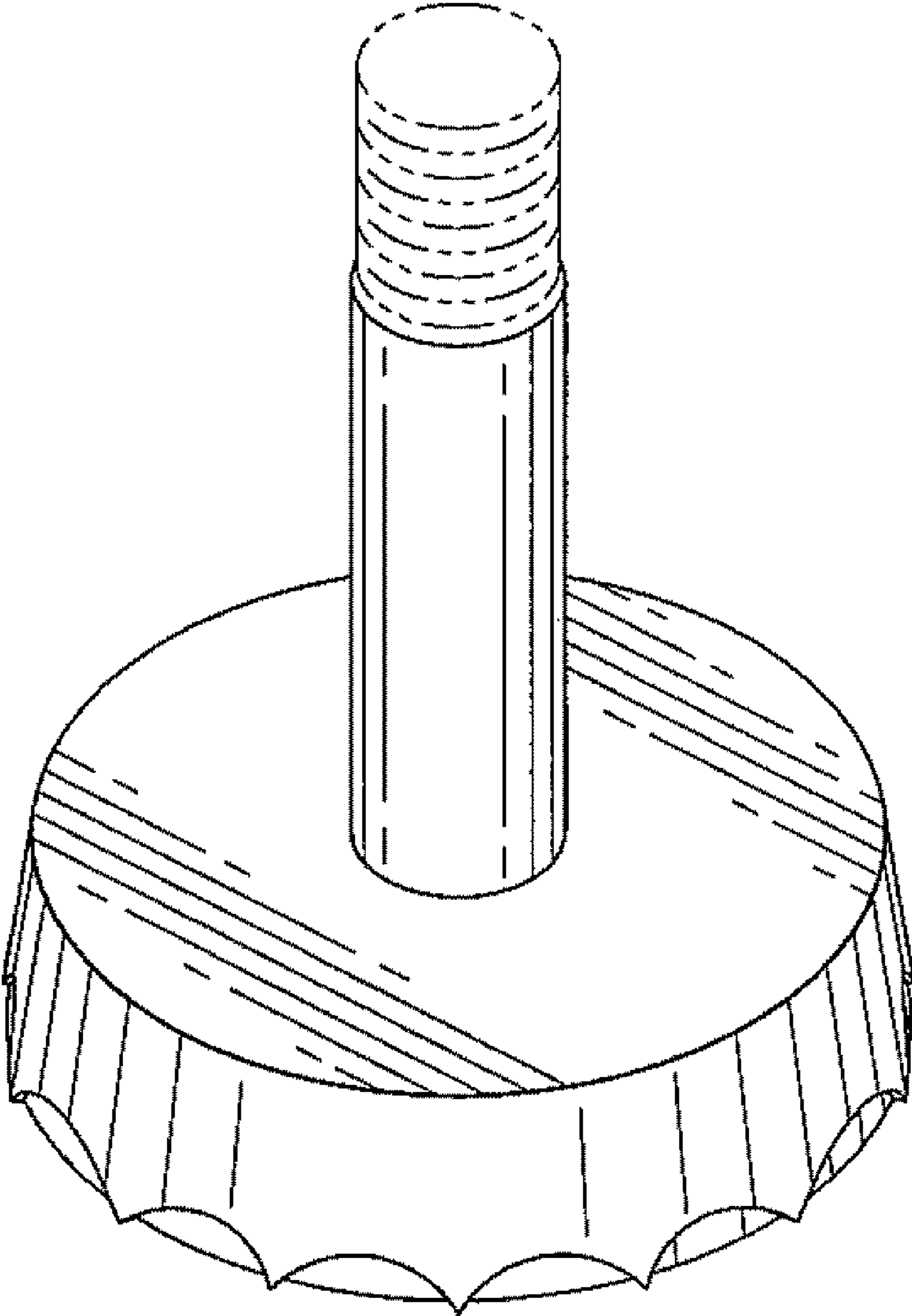


FIG. 7

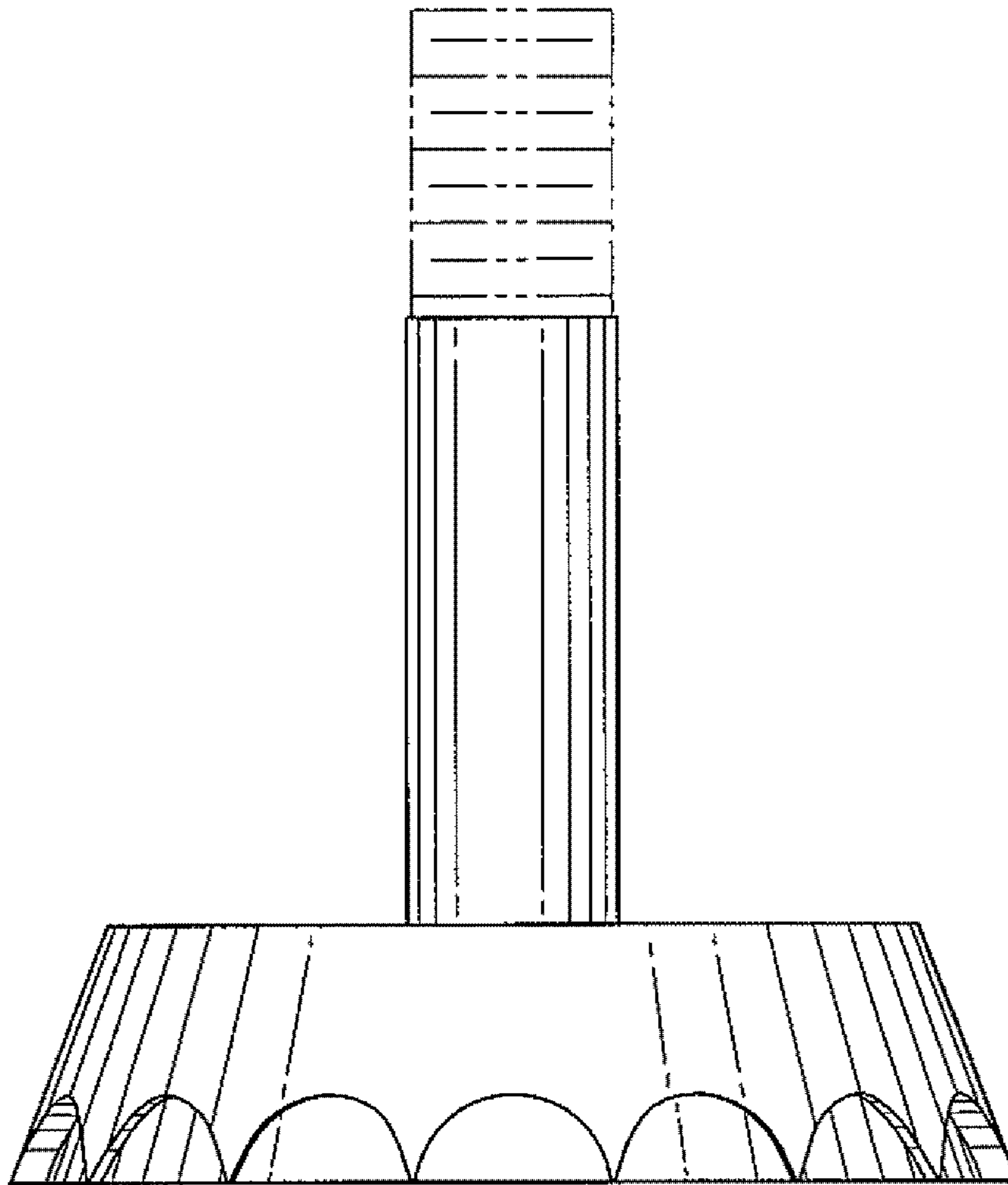


*FIG. 9*

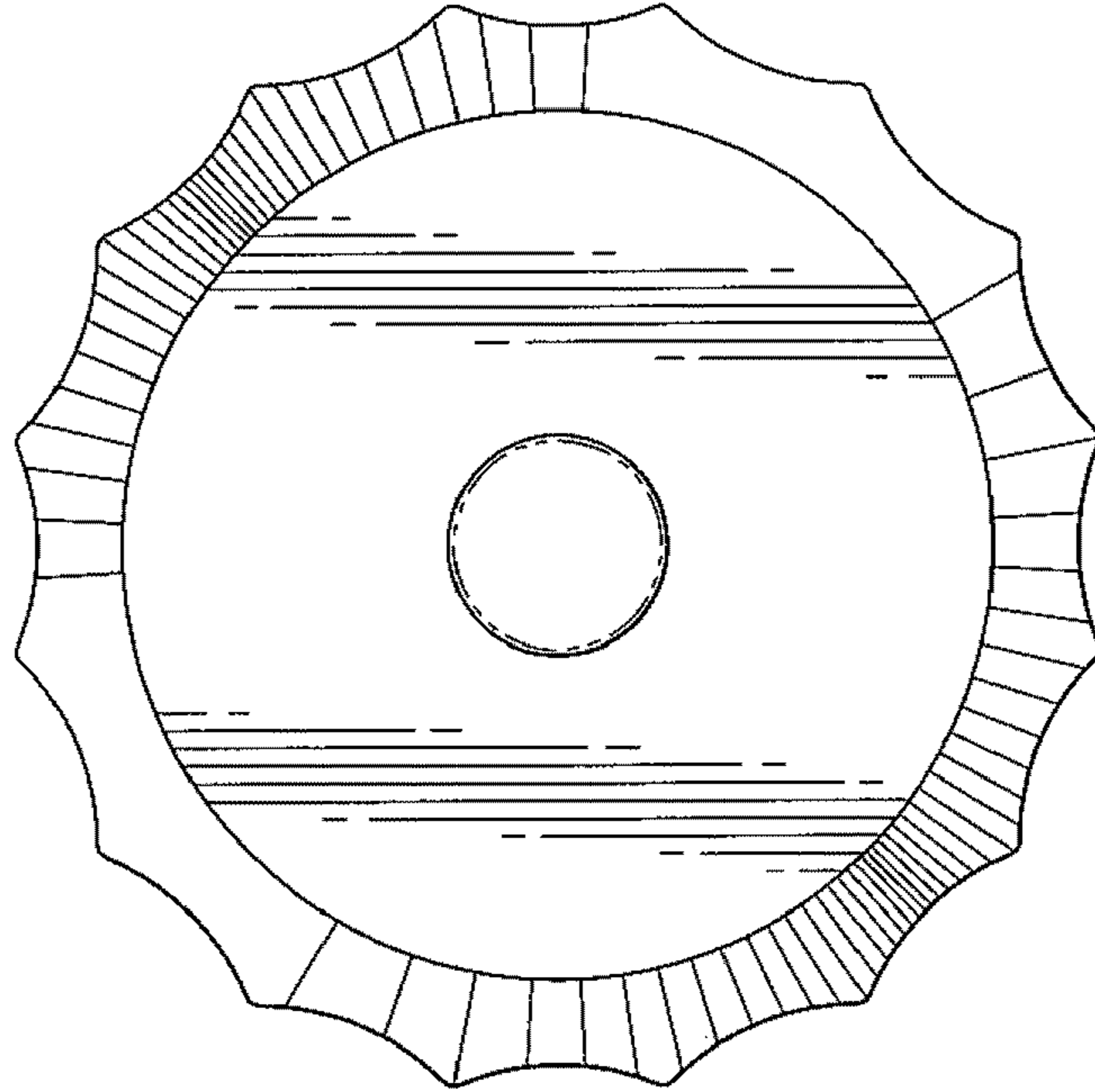




*FIG. 10*



*FIG. 11*



*FIG. 12*

