



US00D631240S

(12) **United States Design Patent**  
**Shuttleworth et al.**

(10) **Patent No.:** **US D631,240 S**  
(45) **Date of Patent:** **\*\* Jan. 25, 2011**

(54) **ATHLETIC SHOE CLEAT**

(75) Inventors: **Lee Paul Shuttleworth**, Birmingham (GB); **John Robert Burt**, Chandler, AZ (US)

(73) Assignee: **Softspikes, LLC**, Brentwood, TN (US)

(\*\*) Term: **14 Years**

(21) Appl. No.: **29/352,930**

(22) Filed: **Dec. 30, 2009**

(51) **LOC (9) Cl.** ..... **02-99**

(52) **U.S. Cl.** ..... **D2/962**

(58) **Field of Classification Search** ..... D2/906,  
D2/908, 946, 962; 36/114-116, 126-129,  
36/134, 59 R-59 C

See application file for complete search history.

(56) **References Cited**

**U.S. PATENT DOCUMENTS**

D468,084 S \* 1/2003 Lin ..... D2/962  
7,726,047 B1 \* 6/2010 MacNeill et al. .... 36/134

\* cited by examiner

*Primary Examiner*—Dominic Simone

(74) *Attorney, Agent, or Firm*—Edell, Shapiro & Finnan

(57) **CLAIM**

The ornamental design for an athletic shoe cleat, as shown and described.

**DESCRIPTION**

FIG. 1 is a top view in perspective showing our design;

FIG. 2 is a bottom view in perspective thereof;

FIG. 3 is a front view in elevation thereof;

FIG. 4 is a rear view in elevation thereof;

FIG. 5 is a right side view in elevation thereof;

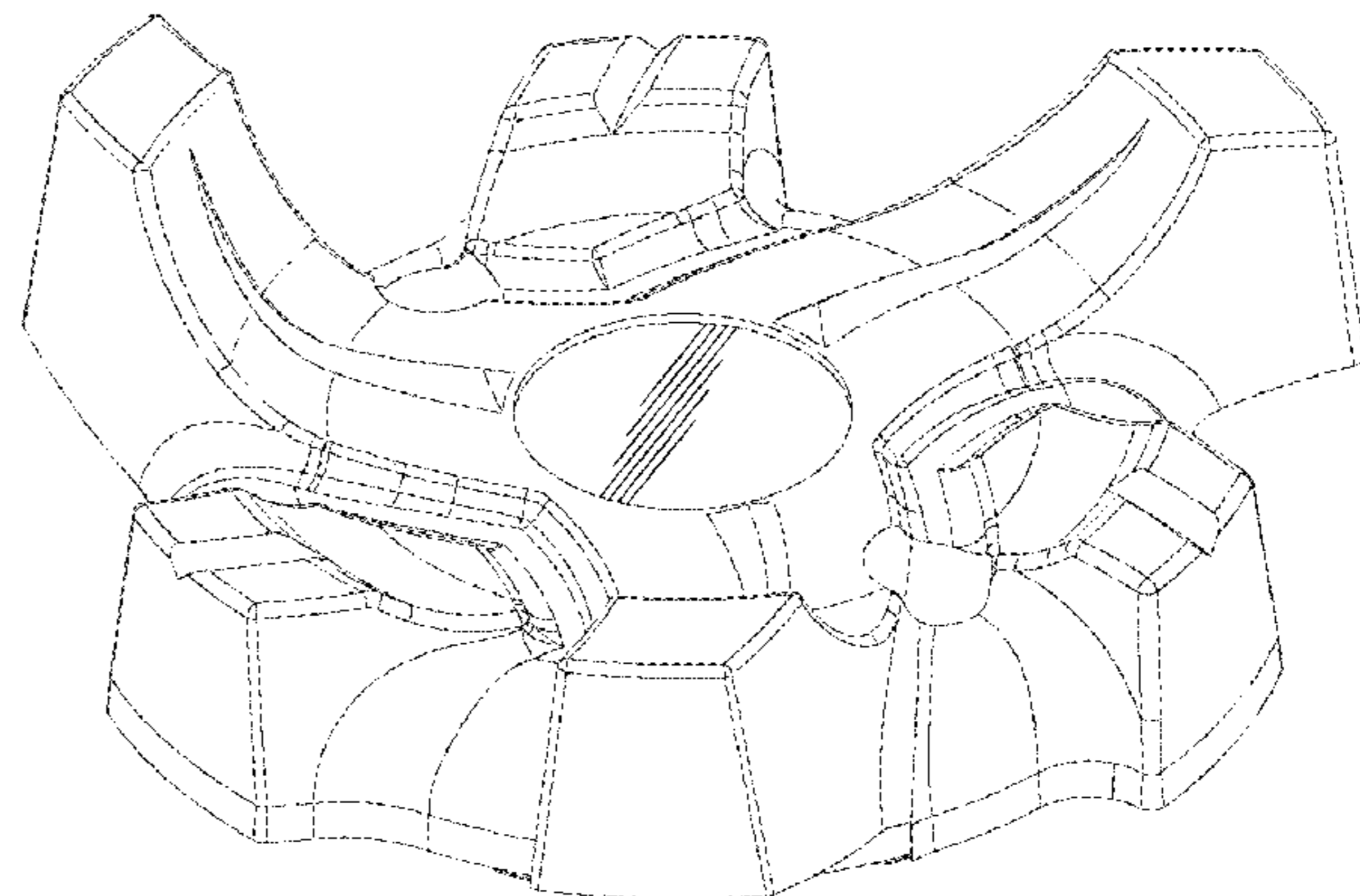
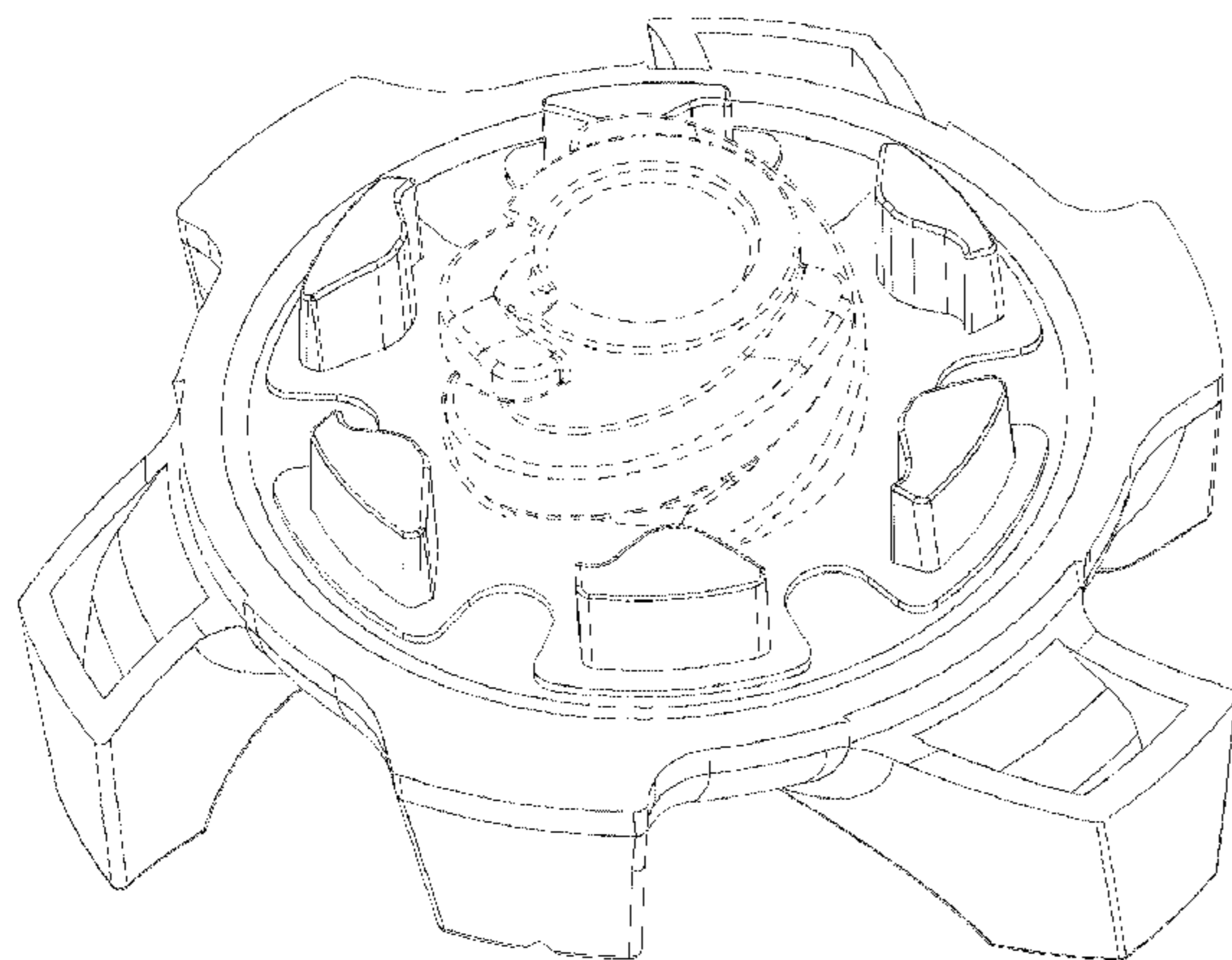
FIG. 6 is a left side view in elevation thereof;

FIG. 7 is a top view in plan thereof; and,

FIG. 8 is a bottom view in plan thereof.

The top portion of the illustrated cleat is a connector shown throughout in broken lines for contextual illustrative purposes and forms no part of the claimed design.

**1 Claim, 8 Drawing Sheets**



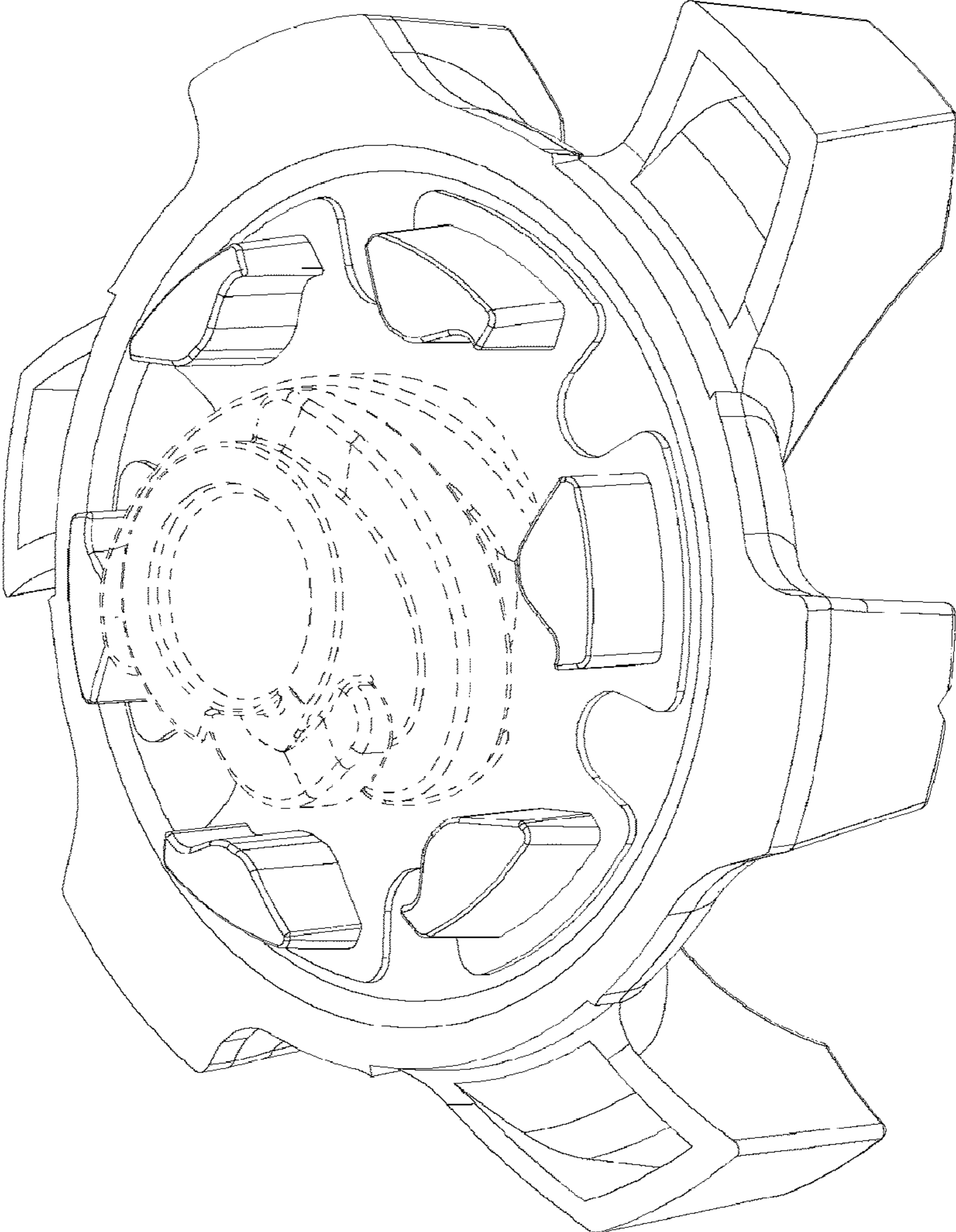


FIG. 1

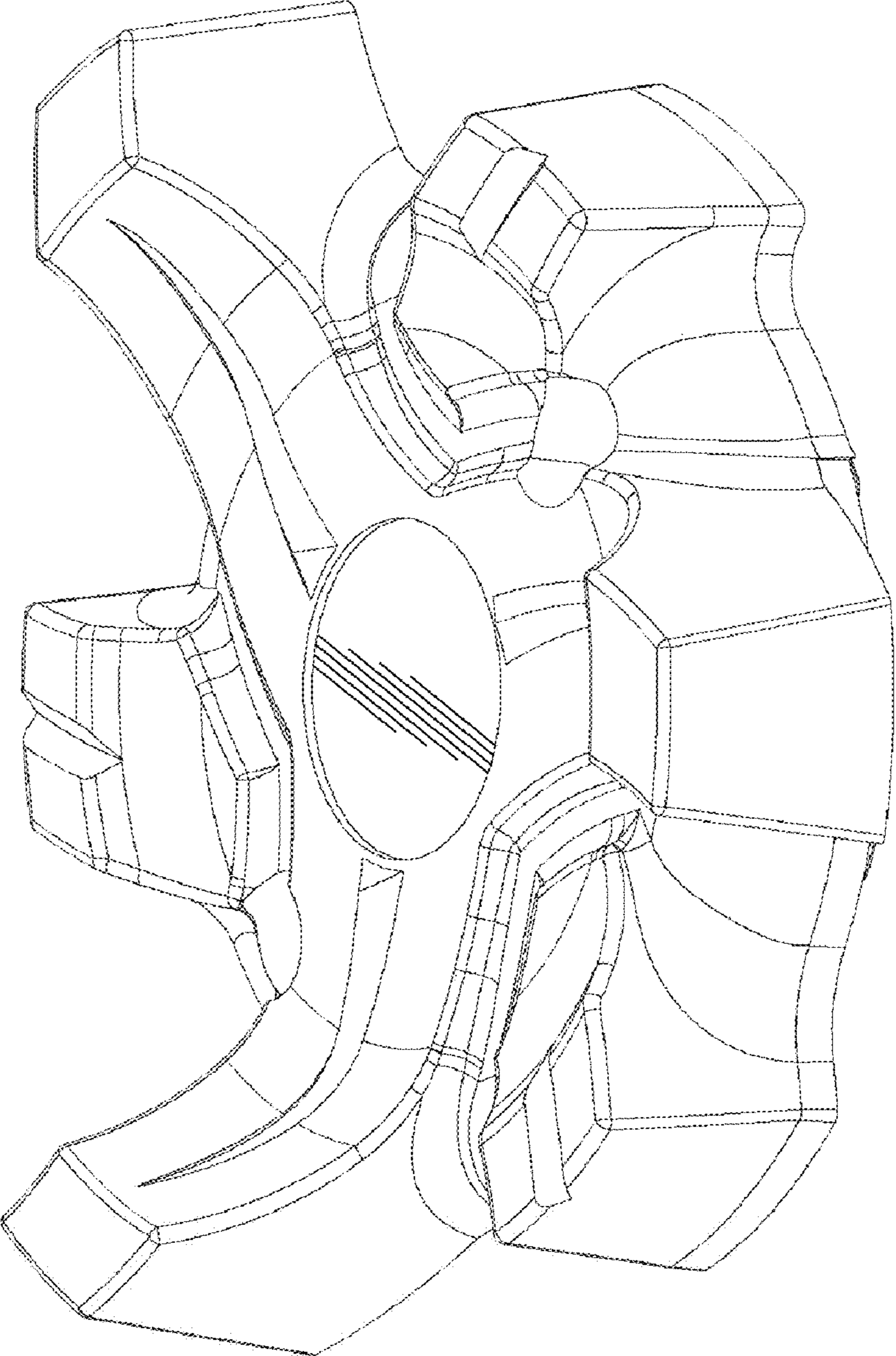


FIG. 2

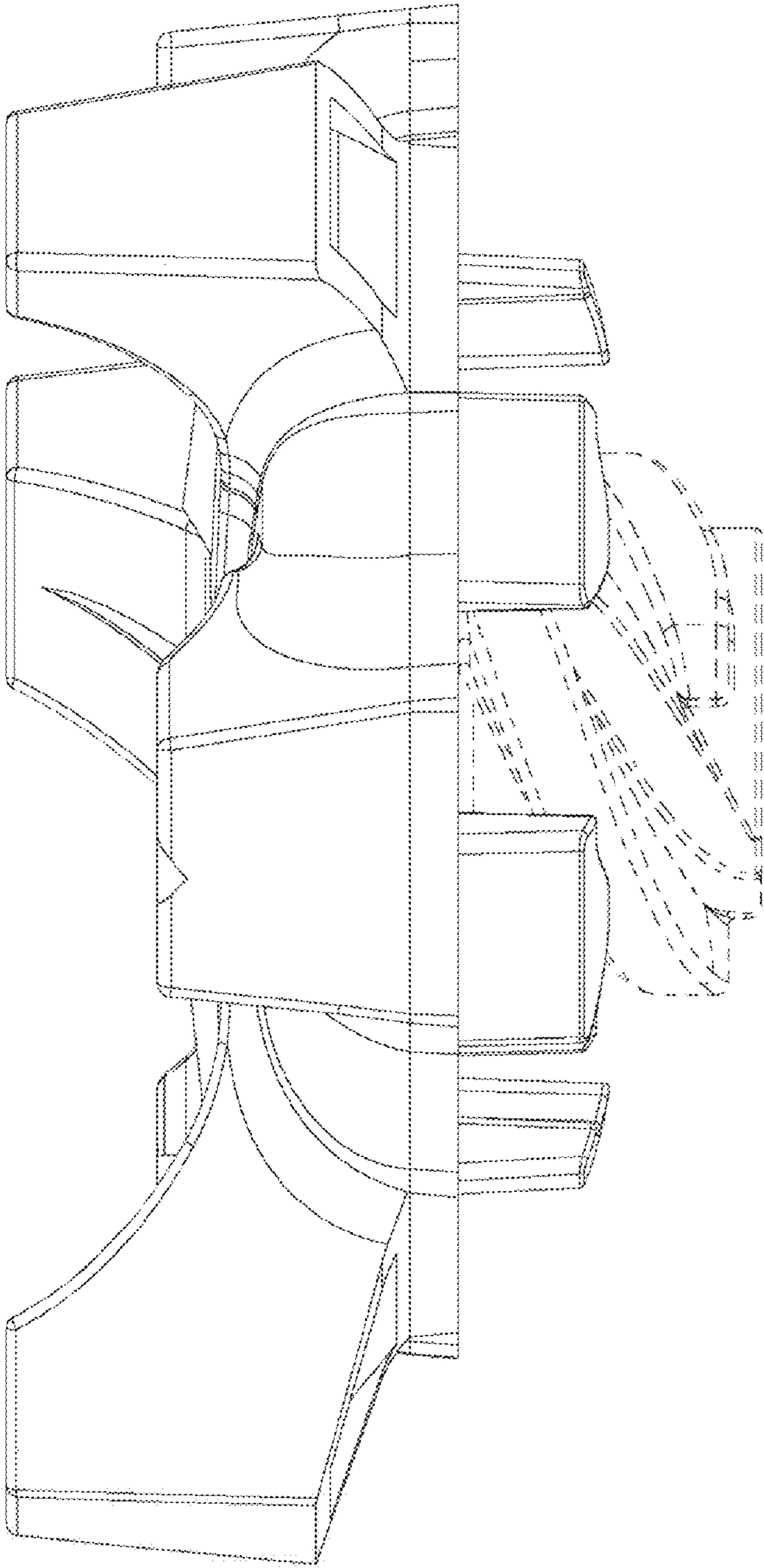


FIG. 3

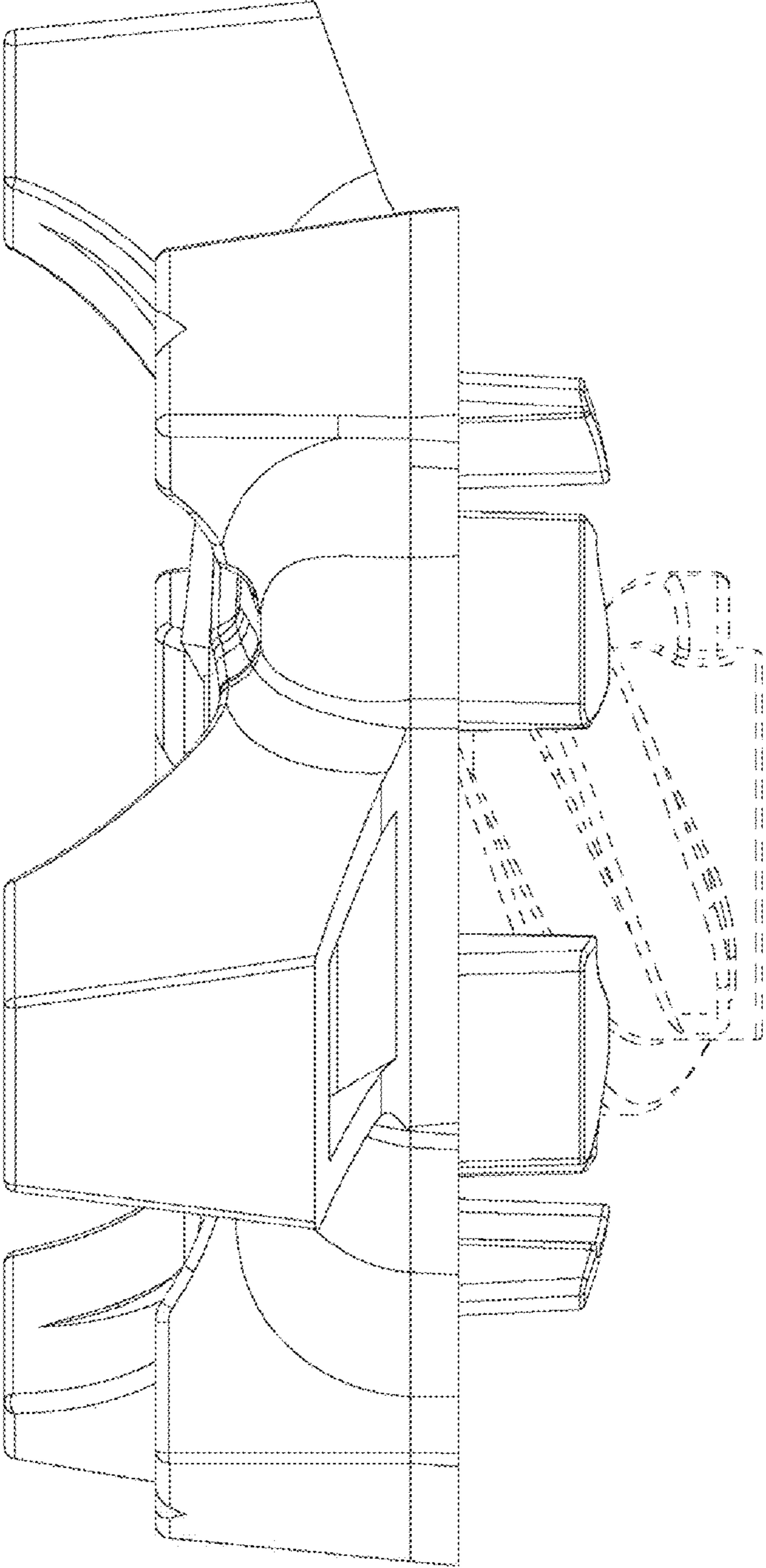


FIG. 4

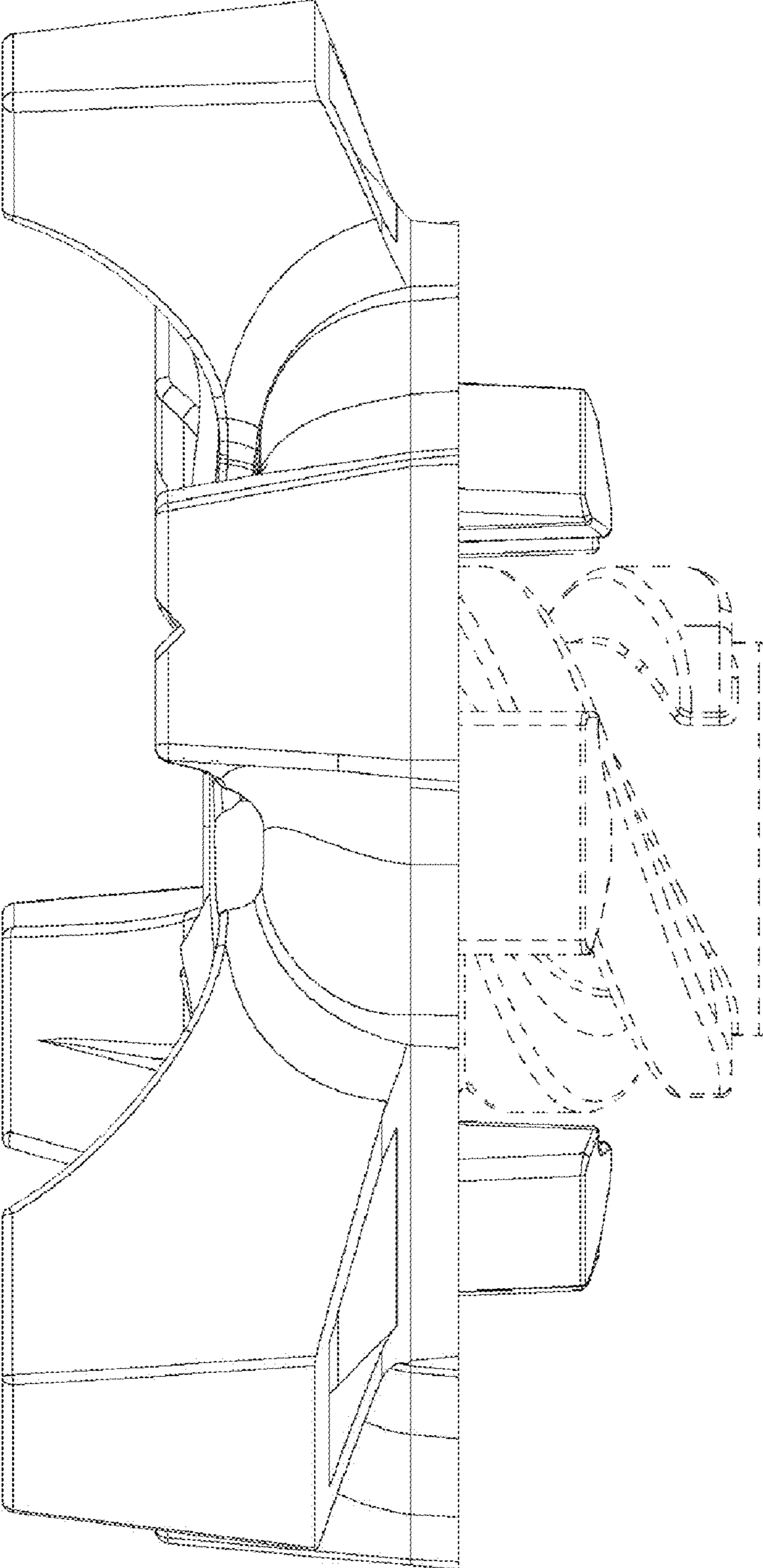


FIG. 5

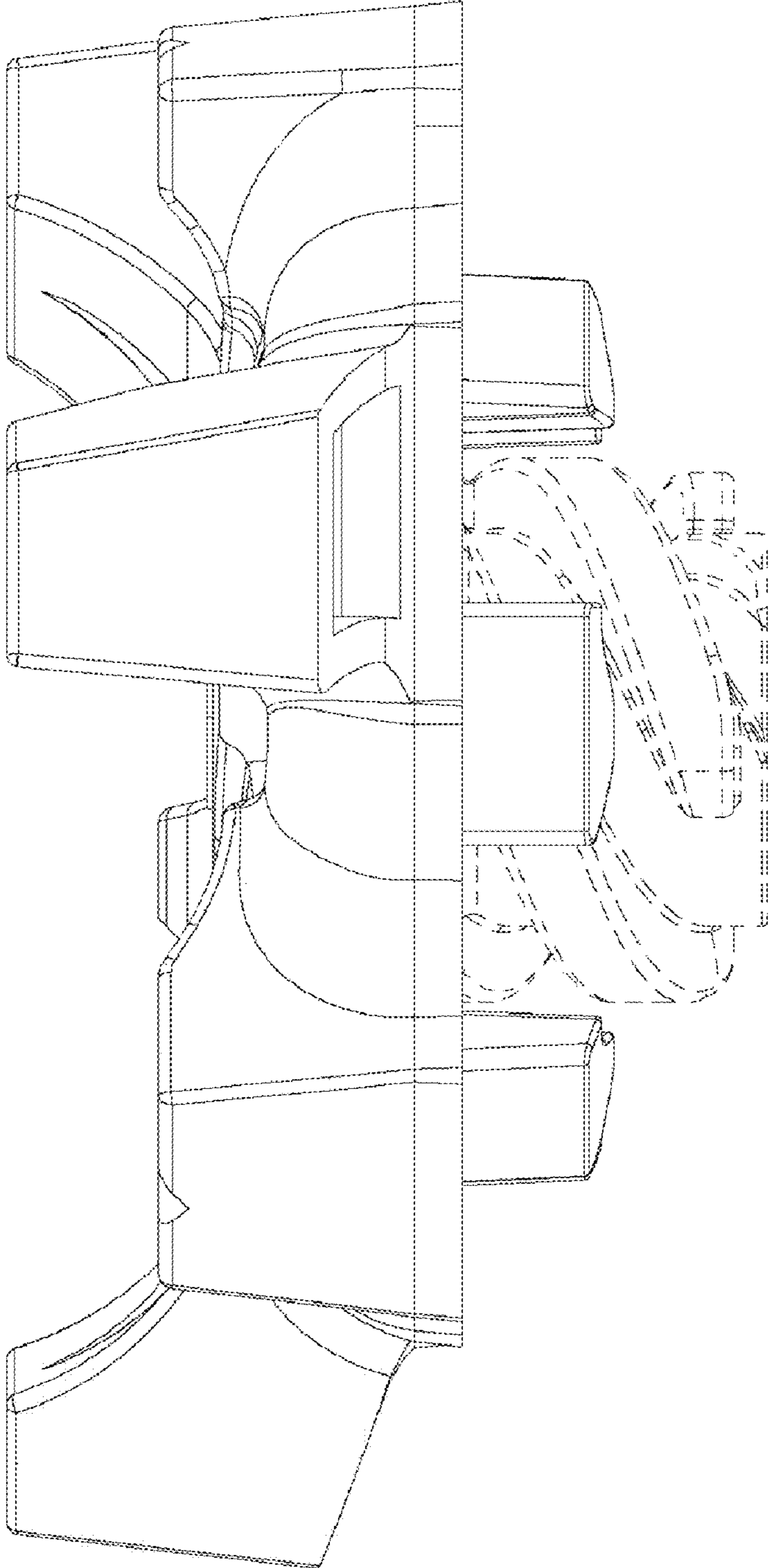


FIG. 6

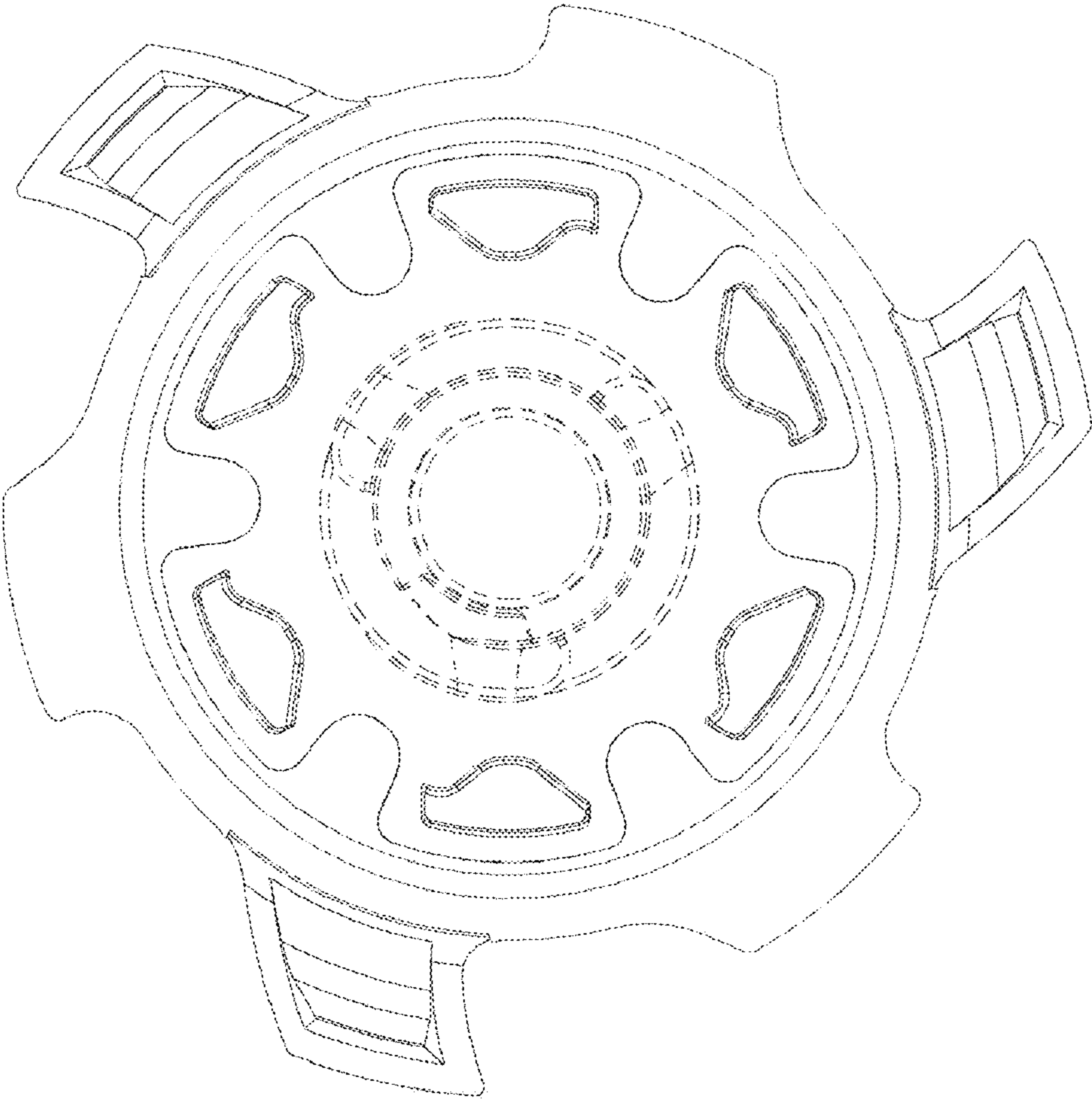


FIG. 7



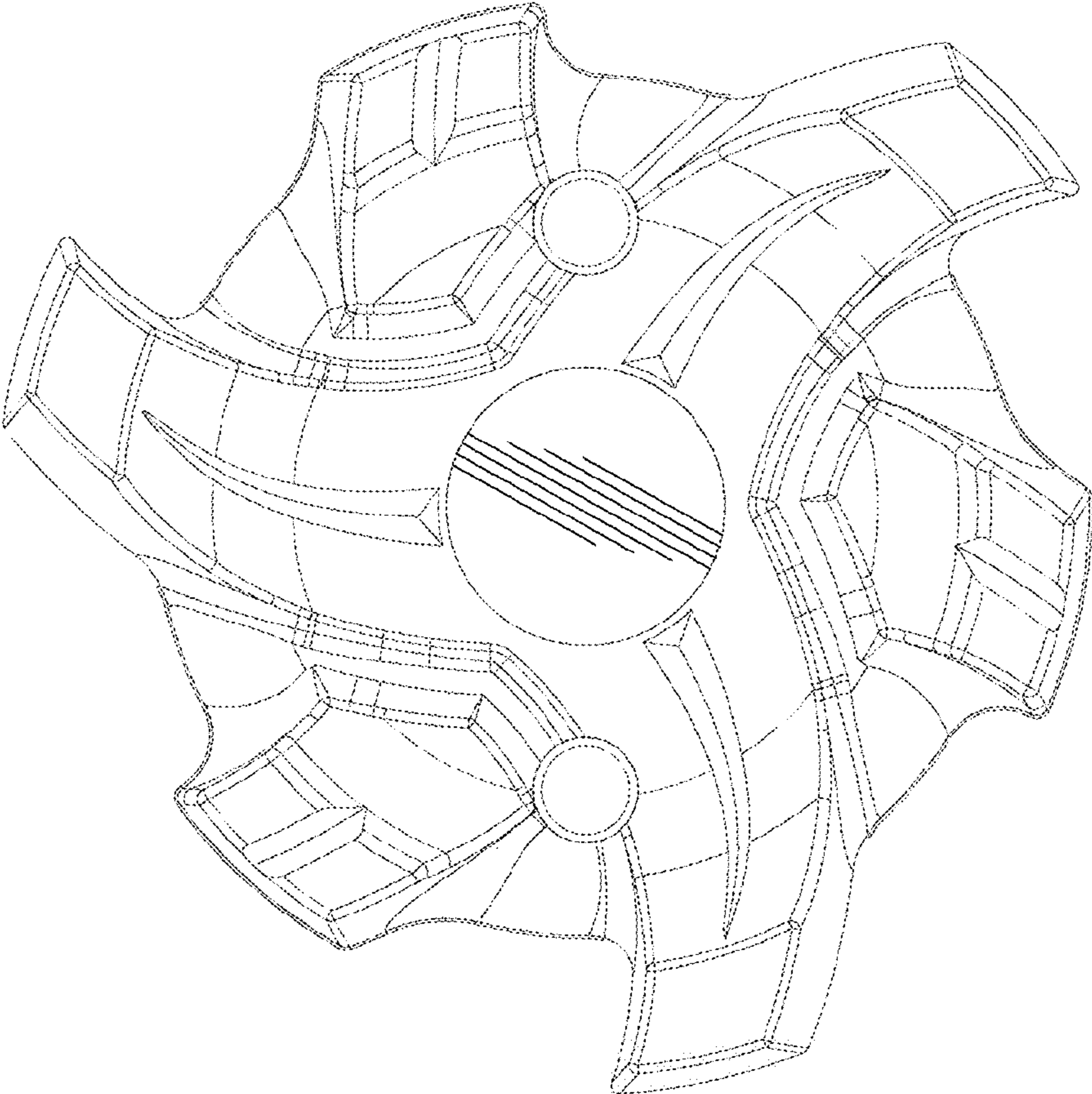


FIG.8