



US00D631232S

(12) **United States Design Patent**
Lewis

(10) **Patent No.:** **US D631,232 S**
(45) **Date of Patent:** **** Jan. 25, 2011**

(54) **BIB WITH A POCKET FOR ABSORBENT MATERIAL**

(76) Inventor: **Leslie H. Lewis**, 4705 Herrmann,
Metairie, LA (US) 70006

(**) Term: **14 Years**

(21) Appl. No.: **29/351,351**

(22) Filed: **Dec. 3, 2009**

(51) **LOC (9) Cl.** **02-02**

(52) **U.S. Cl.** **D2/864**

(58) **Field of Classification Search** D2/860-864;
2/46, 48-49.2, 4, 50-52

See application file for complete search history.

(56) **References Cited**

U.S. PATENT DOCUMENTS

4,663,779	A *	5/1987	Bible	2/49.3
4,733,411	A *	3/1988	Foti	2/49.1
4,779,288	A *	10/1988	Mack	2/49.3
5,893,171	A *	4/1999	Ries	2/48
6,000,056	A *	12/1999	Brady et al.	2/49.1
6,237,150	B1 *	5/2001	Lucas	2/49.1
2002/0068892	A1 *	6/2002	Estep	602/60
2004/0205876	A1 *	10/2004	Bruffett	2/49.2
2006/0010569	A1 *	1/2006	Tawfik	2/207
2007/0143904	A1 *	6/2007	Brown	2/49.1
2008/0209608	A1 *	9/2008	Sheffield	2/49.1

2009/0188016 A1* 7/2009 Arthur-Mensah et al. 2/49.4

* cited by examiner

Primary Examiner—Stella M Reid

Assistant Examiner—Rashida Johnson

(74) *Attorney, Agent, or Firm*—QuickPatents, Inc.; Kevin Prince

(57) **CLAIM**

What is claimed is the ornamental design for a bib with a pocket for absorbent material, as shown and described.

DESCRIPTION

FIG. 1 is a perspective view of a bib with a pocket for absorbent material, showing the new design;

FIG. 2 is a front elevational view thereof;

FIG. 3 is a rear elevational view thereof;

FIG. 4 is a right-side elevational view thereof;

FIG. 5 is a left-side elevational view thereof;

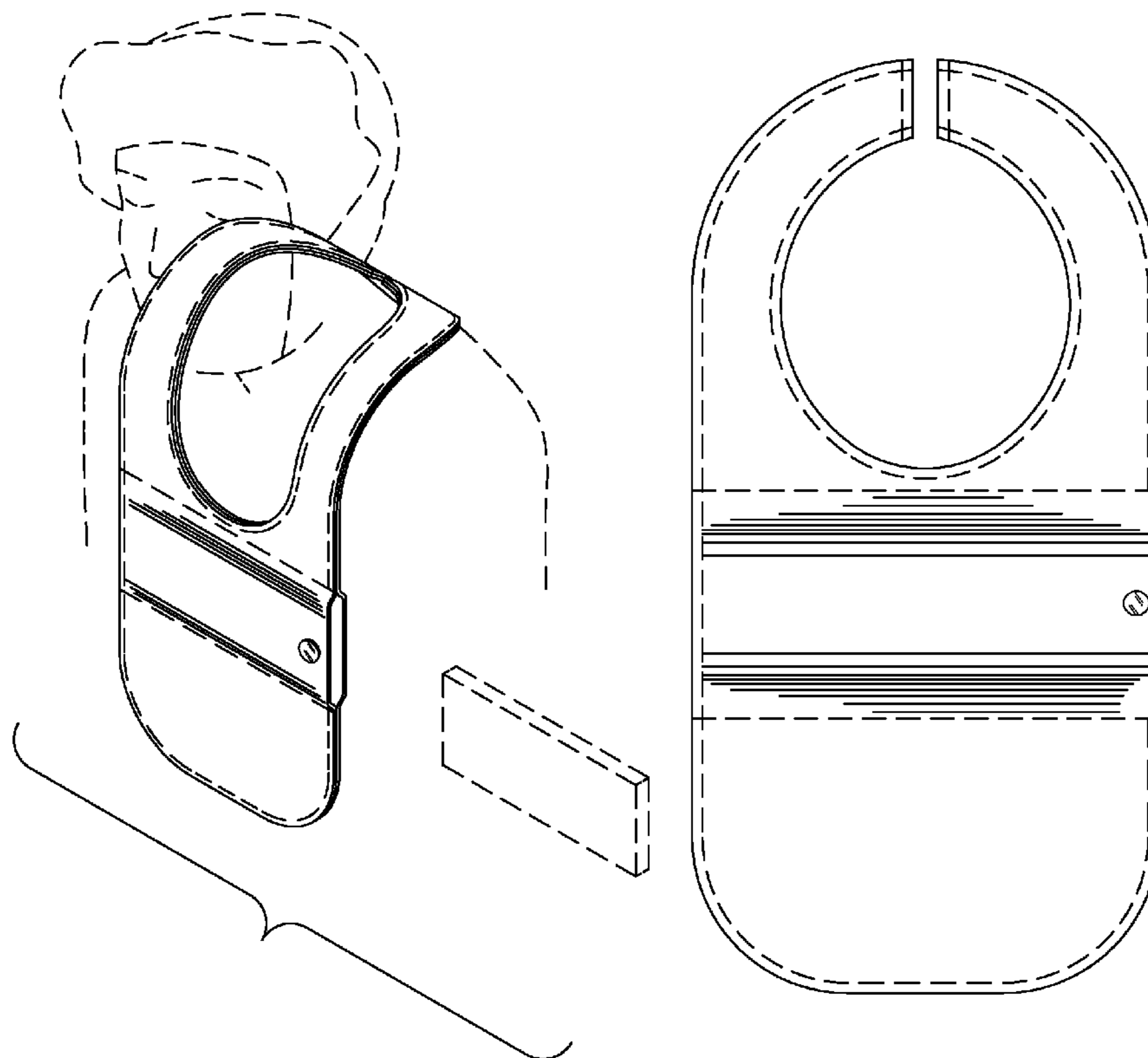
FIG. 6 is a top plan view thereof; and,

FIG. 7 is a bottom plan view thereof.

The broken lines showing a person and an absorbent pad in FIG. 1 are included for the purpose of illustrating the invention in use, and form no part of the claimed design.

The broken lines, on the surface of the bib in FIGS. 1-3, 6 and 7, represent stitching.

1 Claim, 2 Drawing Sheets



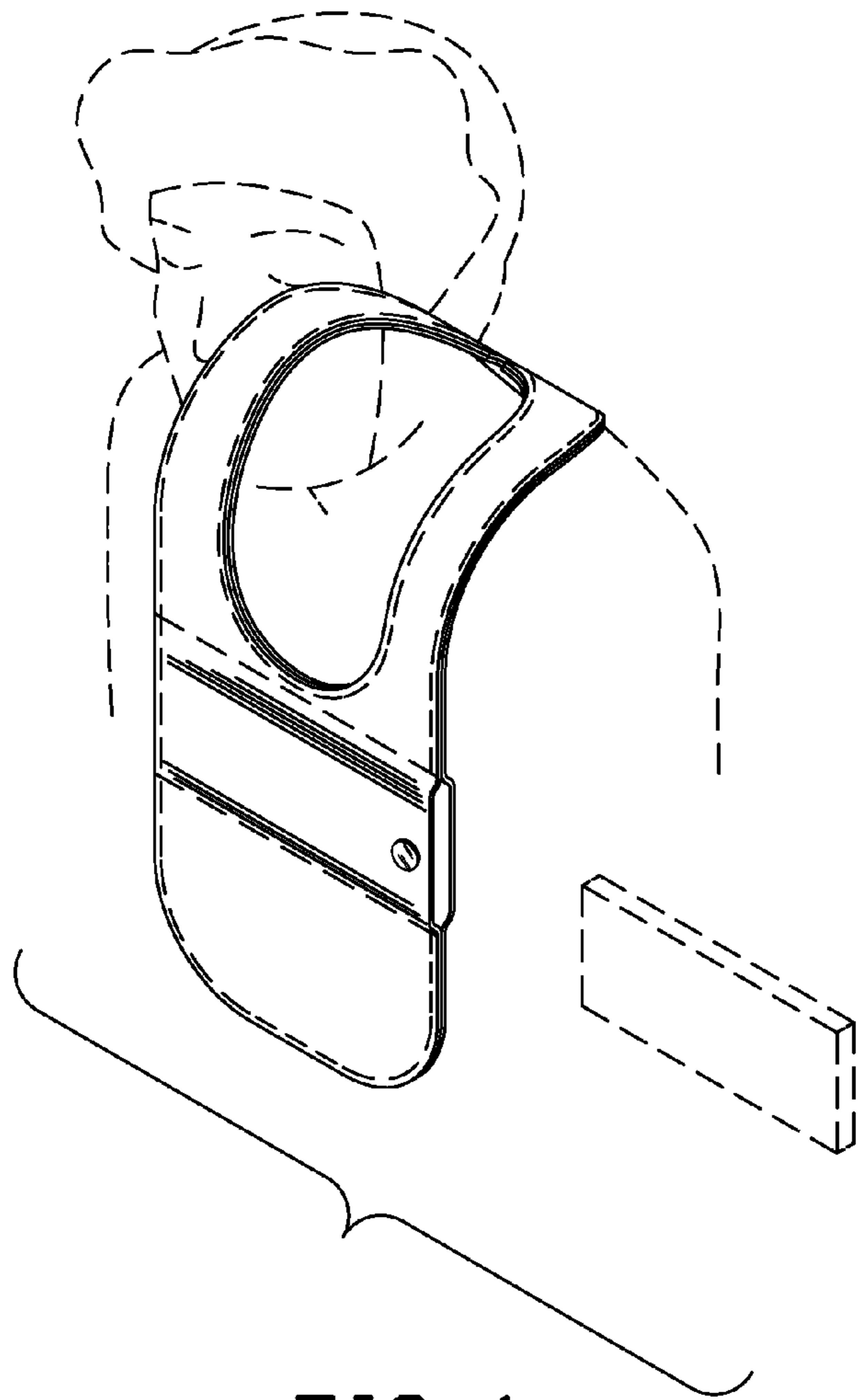


FIG. 1

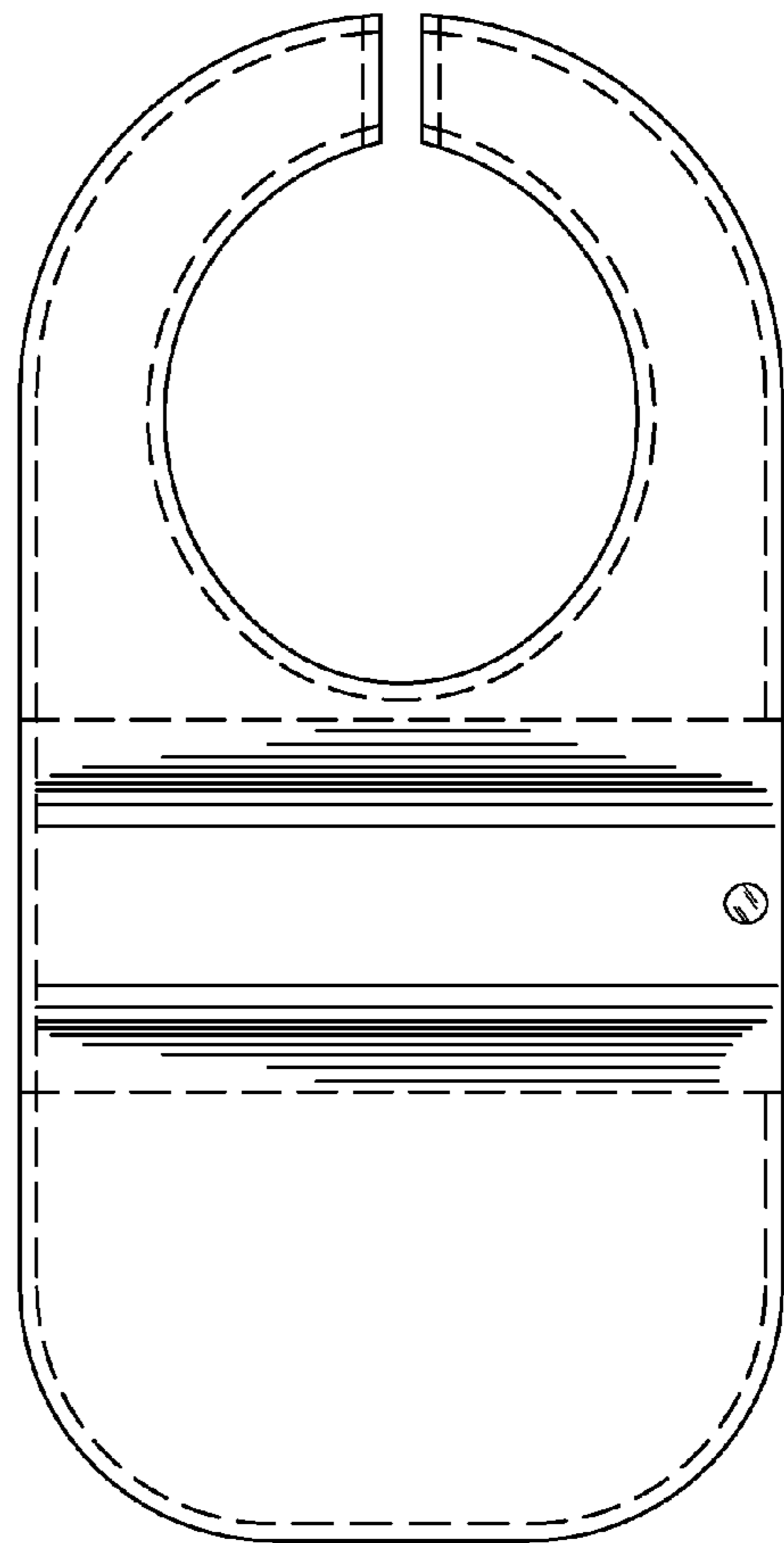


FIG. 2

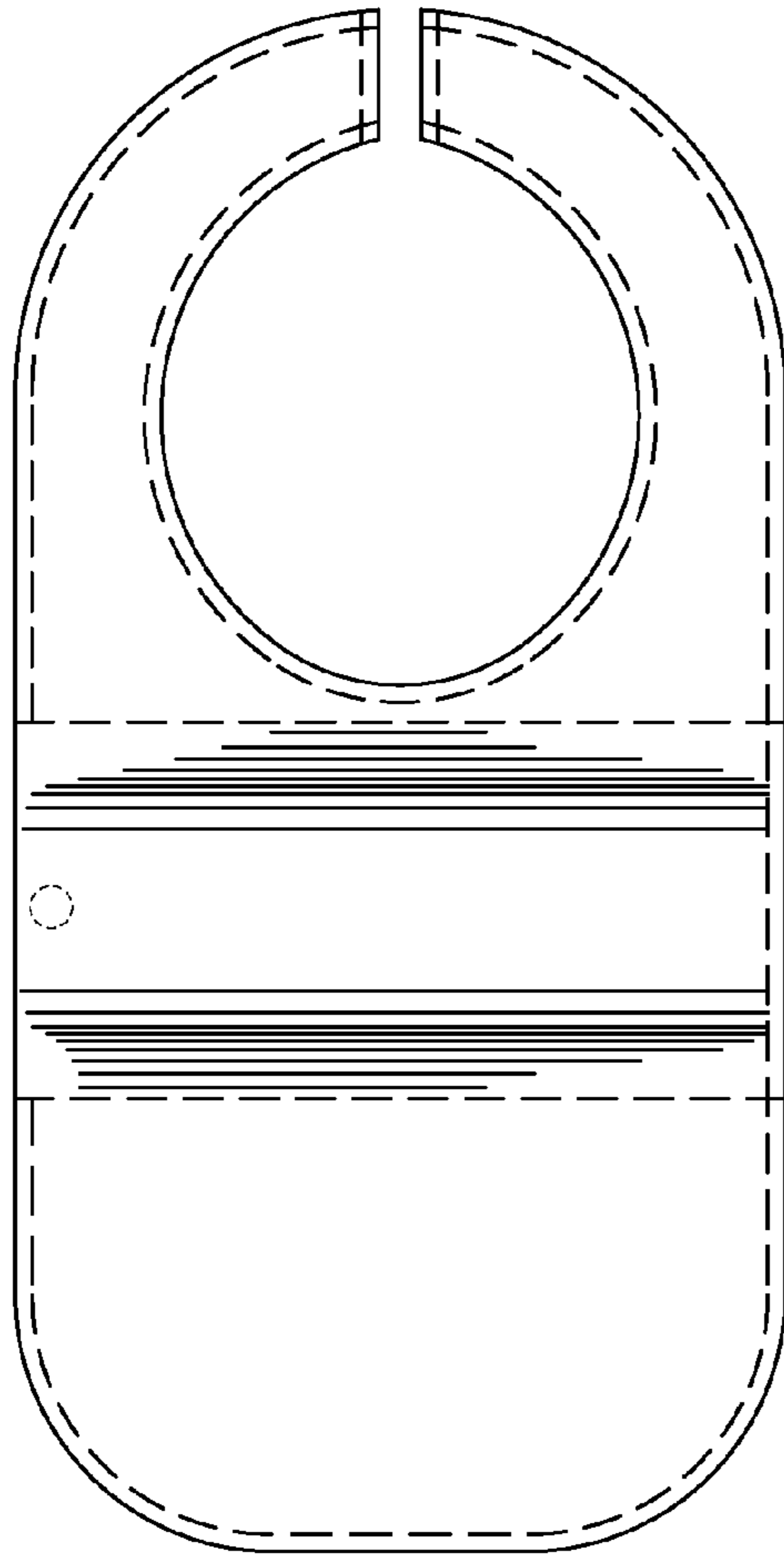


FIG. 3



FIG. 4



FIG. 5



FIG. 6



FIG. 7