



US00D631224S

(12) **United States Design Patent**
Lynn et al.

(10) **Patent No.:** **US D631,224 S**

(45) **Date of Patent:** **** Jan. 18, 2011**

(54) **WINCH HANDLE**

D608,973 S * 1/2010 Kanda et al. D34/35
D622,472 S * 8/2010 Hancock et al. D34/33

(76) Inventors: **Martin Lynn**, 25712 Wilde Ave.,
Stevenson Ranch, CA (US) 91381;
Sven-Eric Toothman, 25709 Wilde
Ave., Stevenson Ranch, CA (US) 91381

* cited by examiner

Primary Examiner—Cynthia E Ramirez
(74) *Attorney, Agent, or Firm*—QuickPatents, Inc.; Kevin
Prince

(**) Term: **14 Years**

(21) Appl. No.: **29/356,567**

(57) **CLAIM**

(22) Filed: **Feb. 26, 2010**

The ornamental design for a winch handle, as shown and
described.

(51) **LOC (9) Cl.** **12-05**

(52) **U.S. Cl.** **D34/35**

(58) **Field of Classification Search** D34/33,
D34/35; 254/222, 252, 264, 362, 356, 372,
254/380, 901, 382, 374, 316

See application file for complete search history.

DESCRIPTION

FIG. 1 is a perspective view of a winch handle, showing the
new design;

FIG. 2 is a front elevational view thereof;

FIG. 3 is a rear elevational view thereof;

FIG. 4 is a right-side elevational view thereof;

FIG. 5 is a left-side elevational view thereof;

FIG. 6 is a top plan view thereof; and,

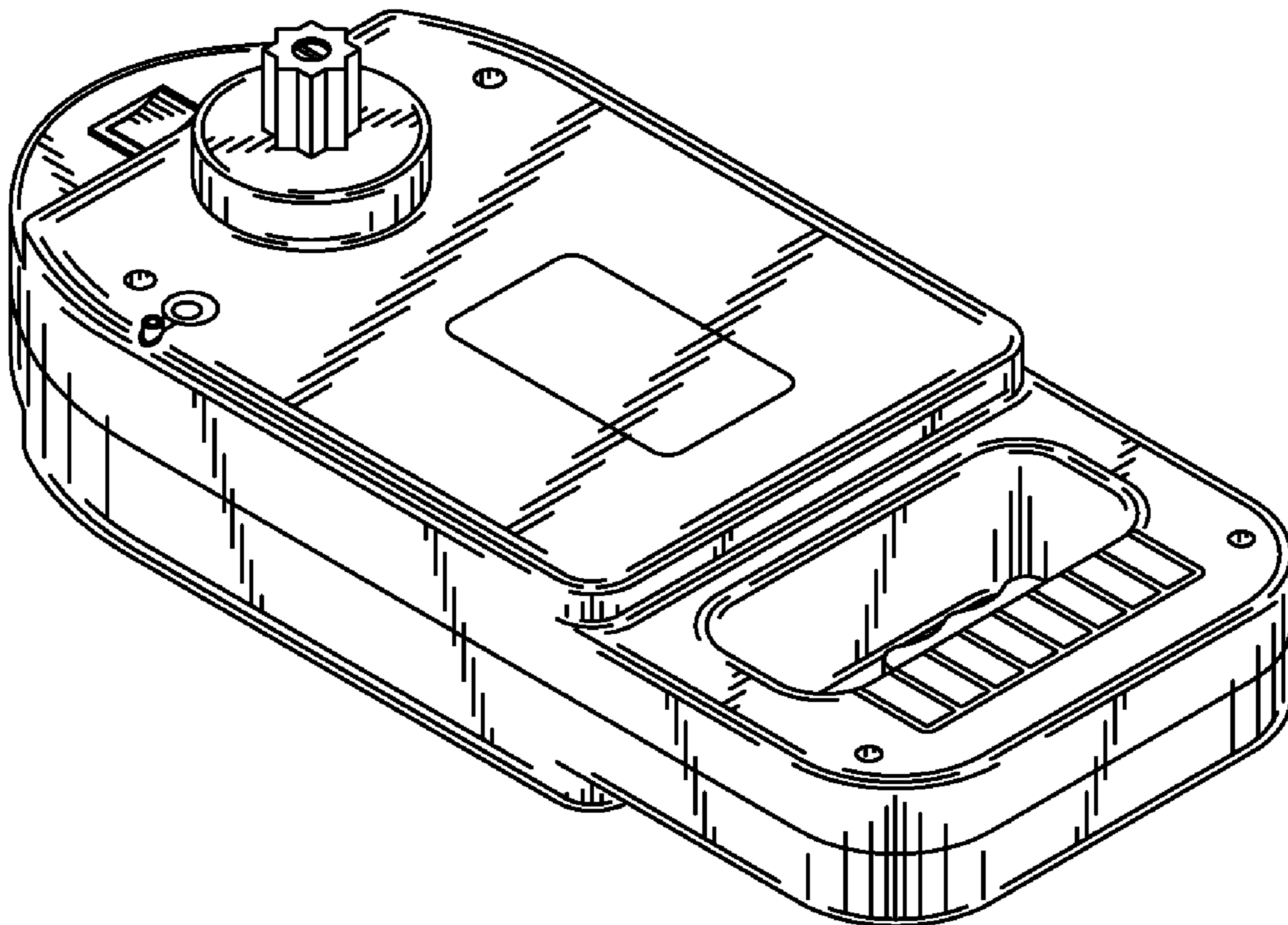
FIG. 7 is a bottom plan view thereof.

(56) **References Cited**

U.S. PATENT DOCUMENTS

3,916,487 A * 11/1975 Rinio 24/122.6
D348,968 S * 7/1994 Elejaga D34/35
D363,057 S * 10/1995 Kawai D13/112
D599,524 S * 9/2009 Averill et al. D34/33

1 Claim, 2 Drawing Sheets



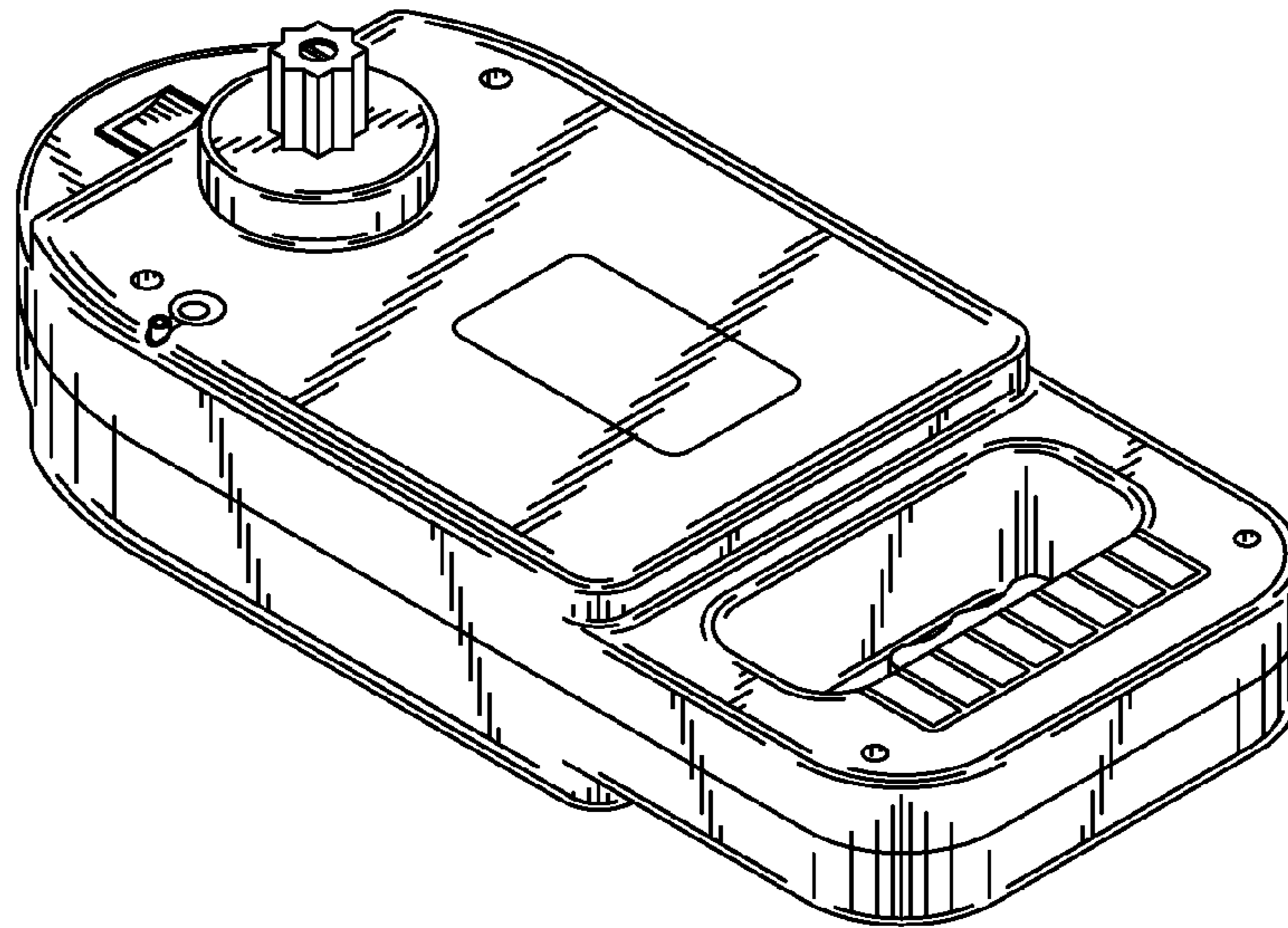


FIG. 1

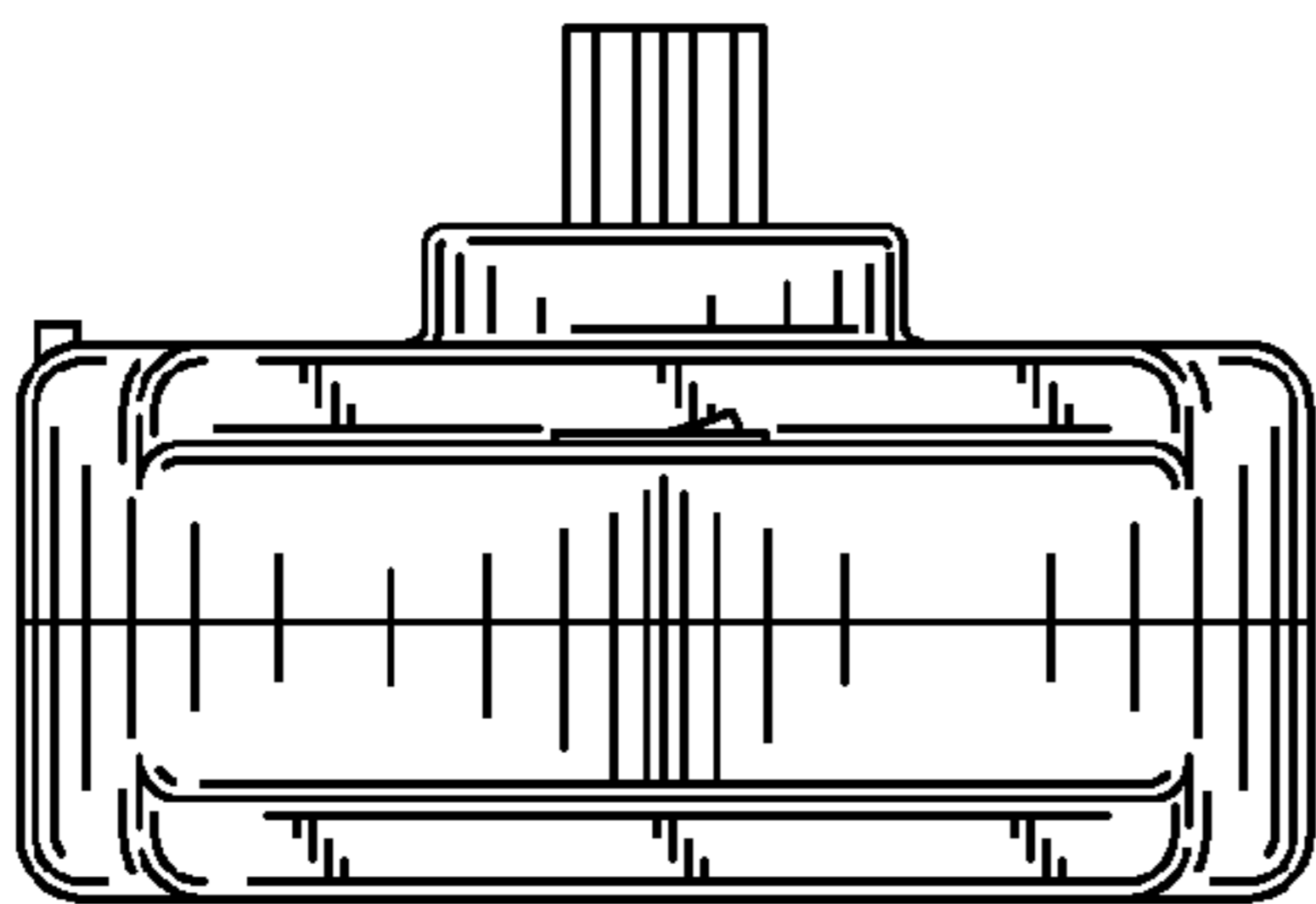


FIG. 2

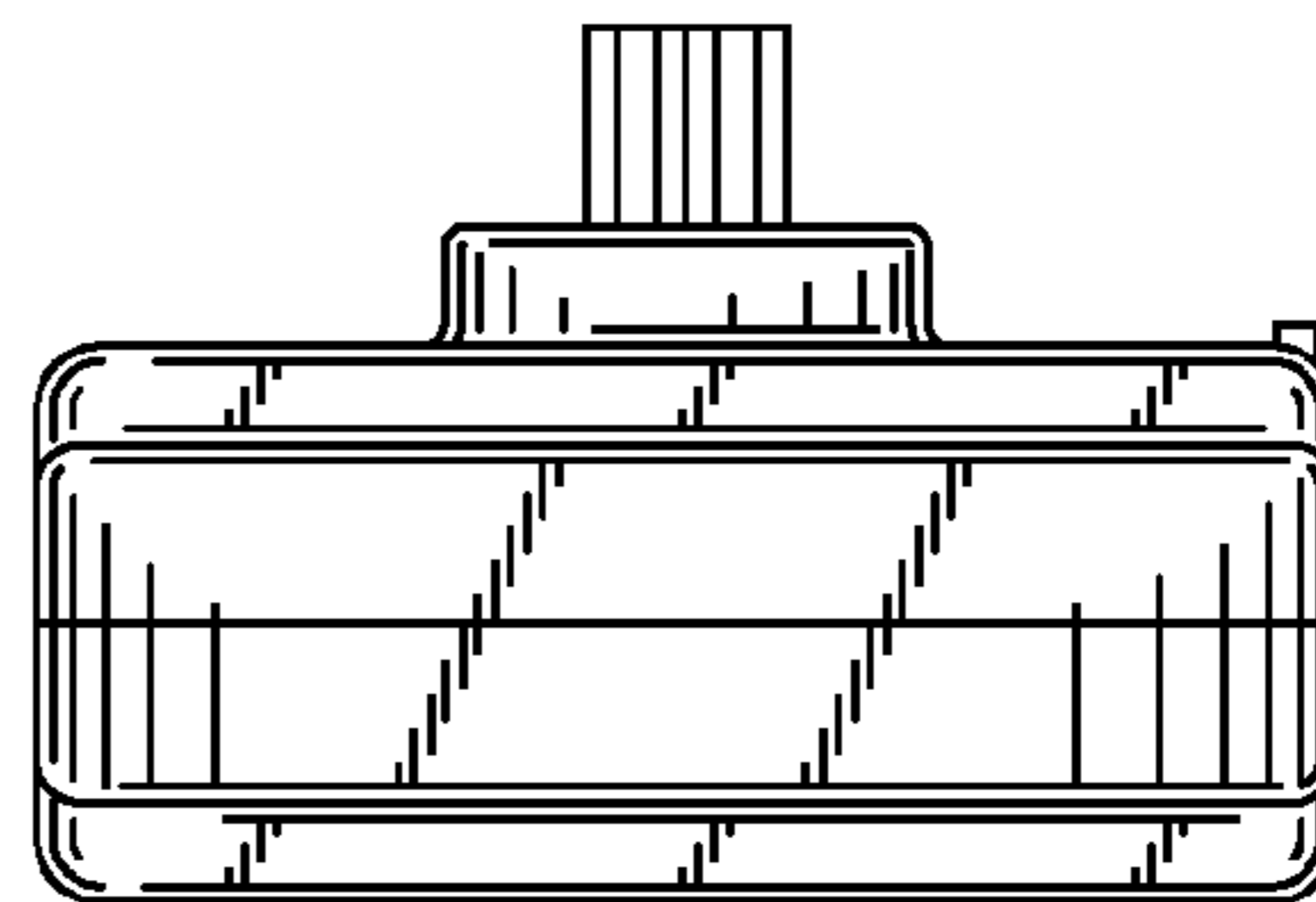


FIG. 3

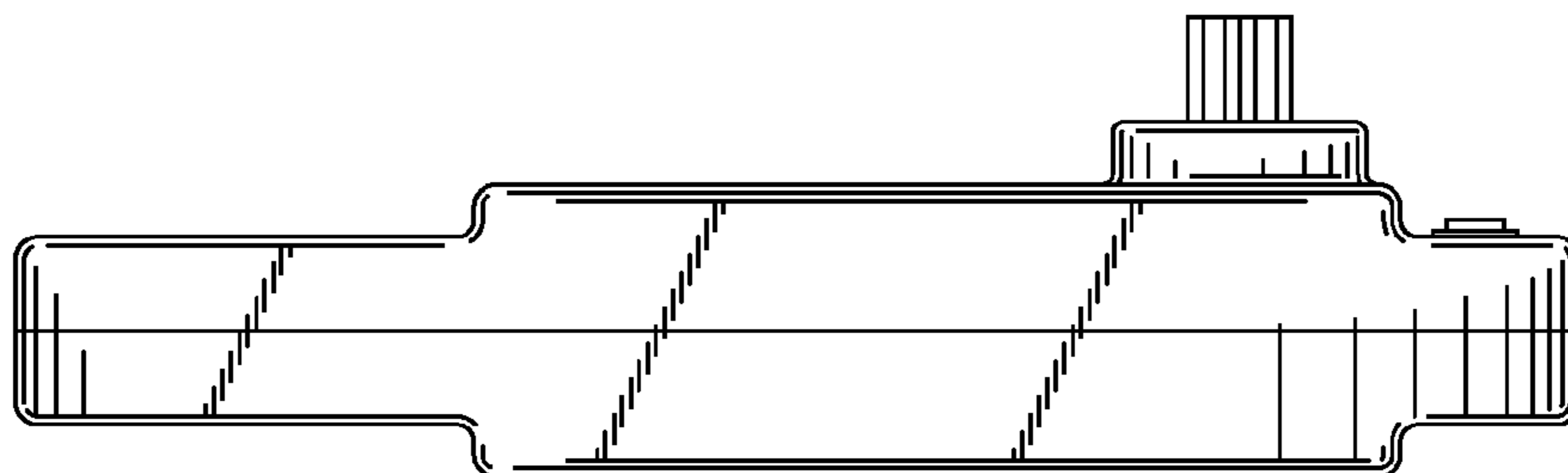


FIG. 4

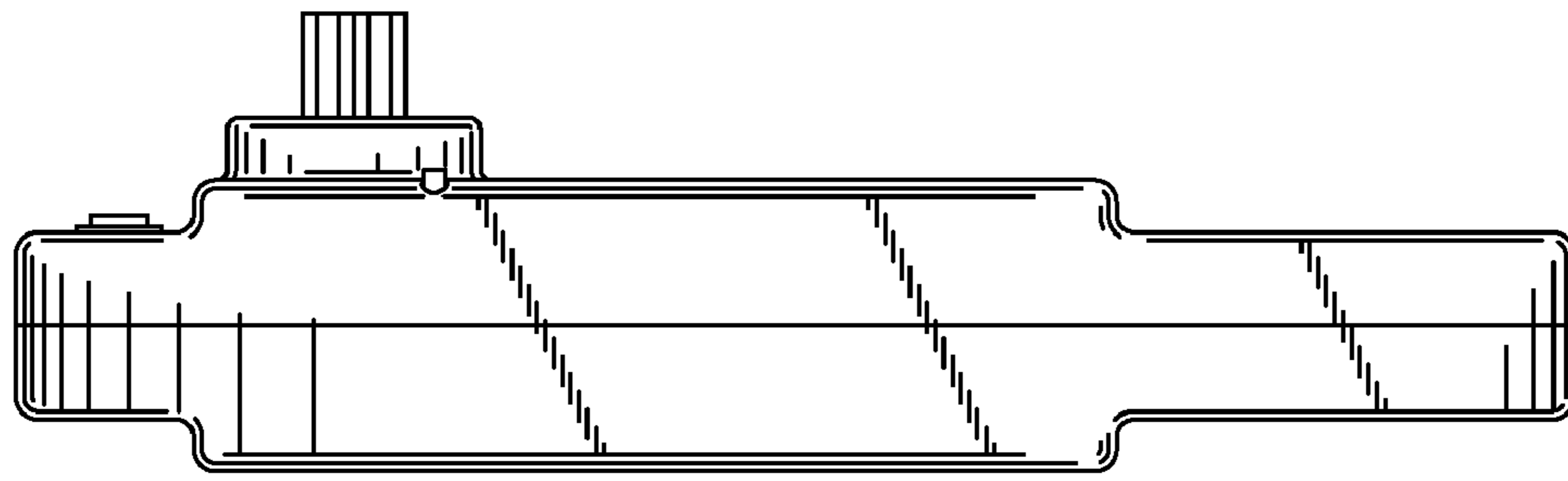


FIG. 5

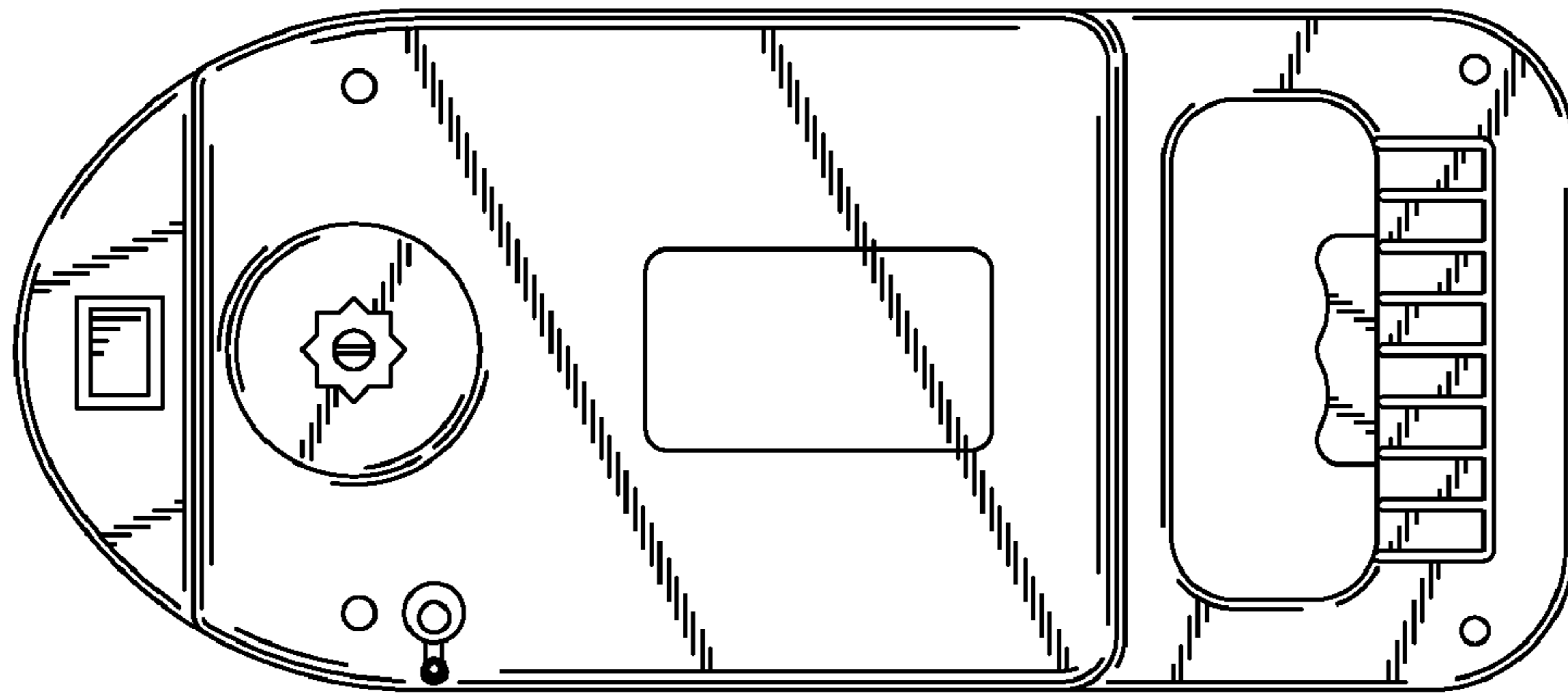


FIG. 6

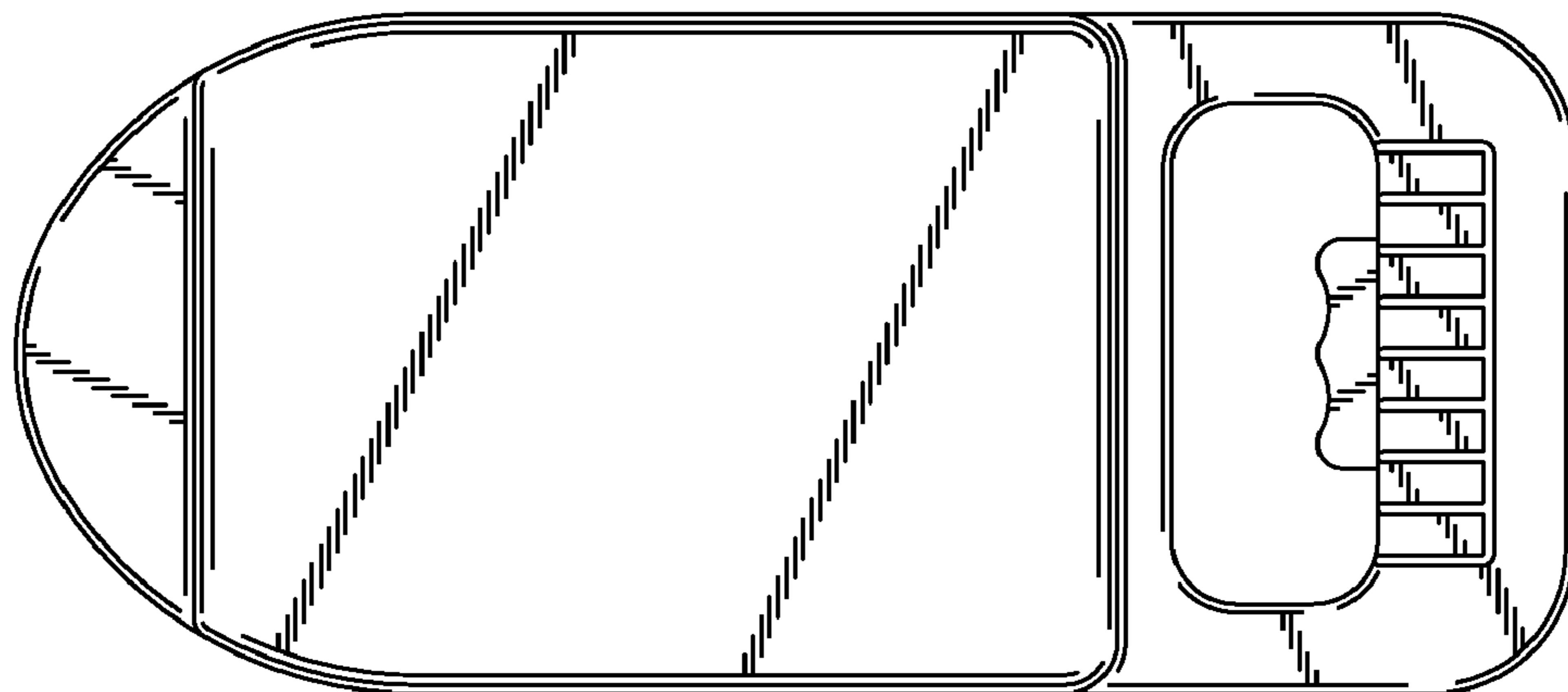


FIG. 7