



US00D631223S

(12) **United States Design Patent**
Kosheba et al.

(10) **Patent No.:** **US D631,223 S**

(45) **Date of Patent:** **** Jan. 18, 2011**

(54) **CART WHEEL**

(75) Inventors: **Donald A. Kosheba**, Holton, MI (US);
Linda R. Umlor, Grandville, MI (US);
Dean T. Miller, Wyoming, MI (US)

(73) Assignee: **Cascade Engineering, Inc.**, Grand Rapids, MI (US)

(**) Term: **14 Years**

(21) Appl. No.: **29/364,398**

(22) Filed: **Jun. 23, 2010**

(51) **LOC (9) Cl.** **12-05**

(52) **U.S. Cl.** **D34/27**

(58) **Field of Classification Search** D34/12-27;
280/282, 47.31, 87.042; D21/141; D12/211,
D12/205, 501, 209, 88.135; 301/64.1
See application file for complete search history.

(56) **References Cited**

U.S. PATENT DOCUMENTS

D352,687 S * 11/1994 Markling D12/204
D353,571 S 12/1994 Braungart et al.
D398,898 S 9/1998 Baumgartner et al.

D405,409 S 2/1999 Baumgartner
D406,092 S 2/1999 Baumgartner
D541,202 S 4/2007 Baumgartner
D542,003 S * 5/2007 Morris D34/27
D586,071 S * 2/2009 Morris D34/27
D586,072 S * 2/2009 Morris D34/27
D605,574 S * 12/2009 Abdallah D12/211
2010/0078907 A1 * 4/2010 Voves 280/47.24

* cited by examiner

Primary Examiner—Cynthia E Ramirez

(74) *Attorney, Agent, or Firm*—Warner Norcross & Judd LLP

(57) **CLAIM**

The ornamental design for a cart wheel, as shown and described.

DESCRIPTION

FIG. 1 is a front perspective view of a cart wheel embodying the new design;

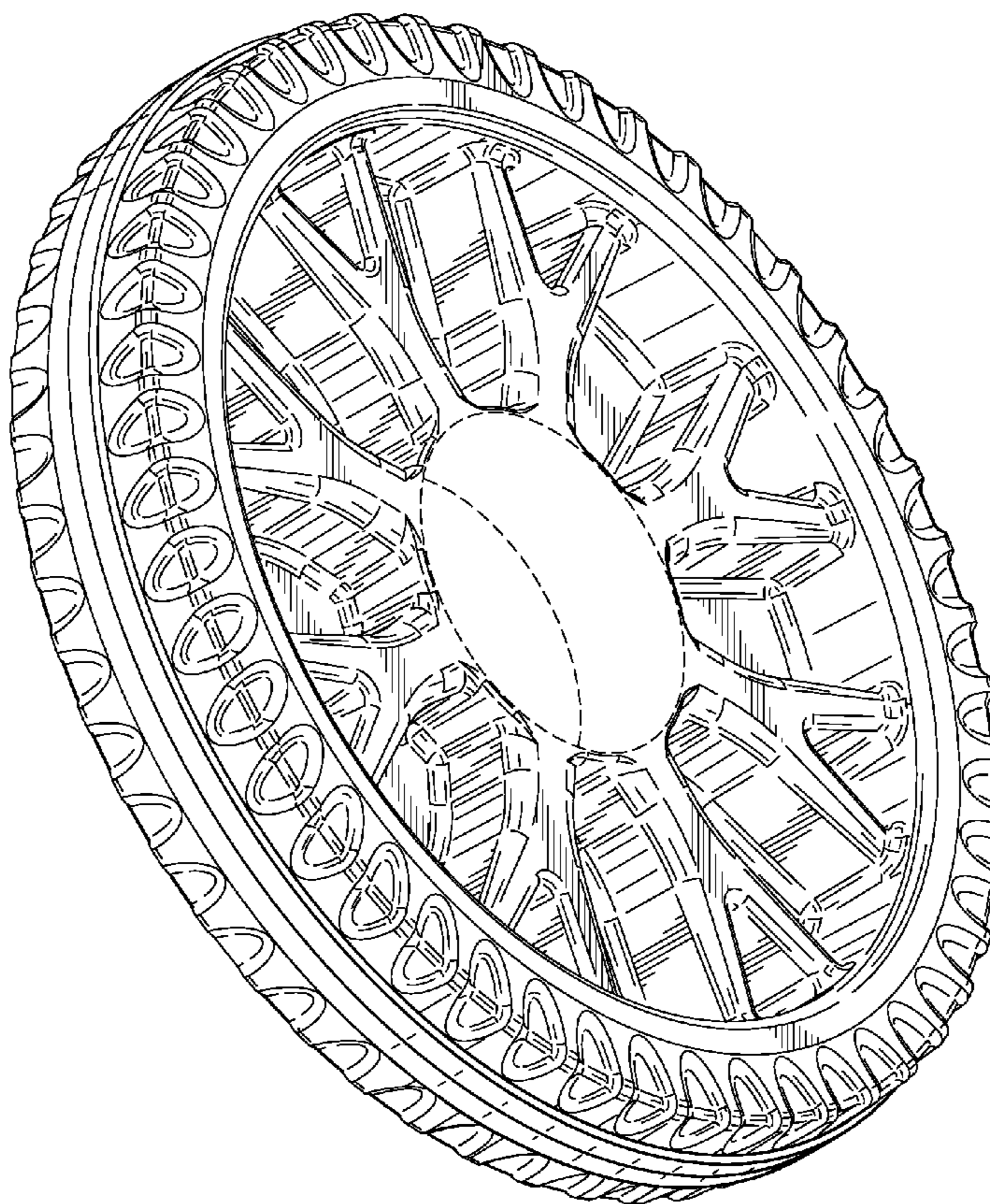
FIG. 2 is a rear perspective view thereof;

FIG. 3 is a front view thereof;

FIG. 4 is an edge view thereof; and,

FIG. 5 is a rear view thereof.

1 Claim, 5 Drawing Sheets



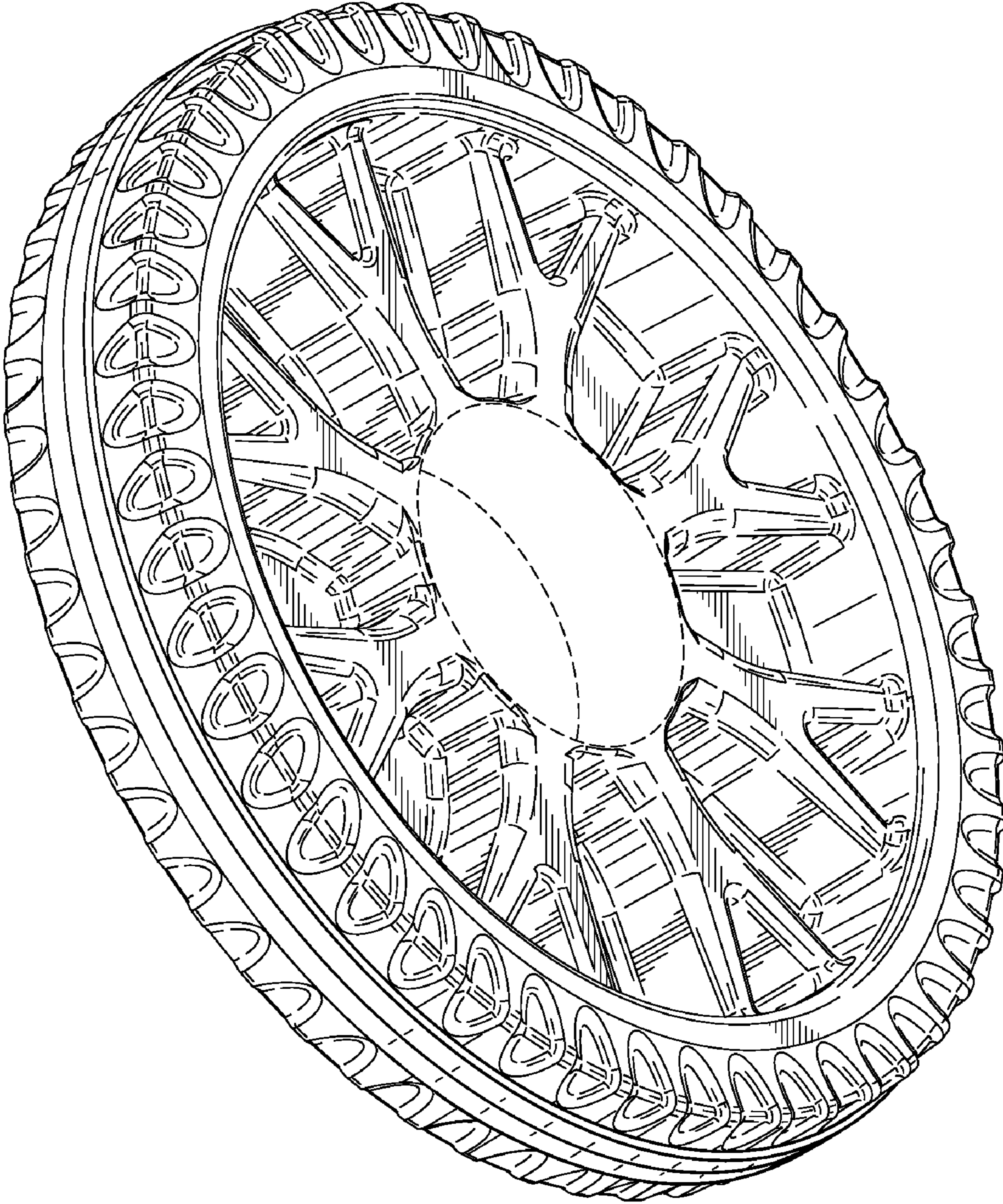


FIG. 1

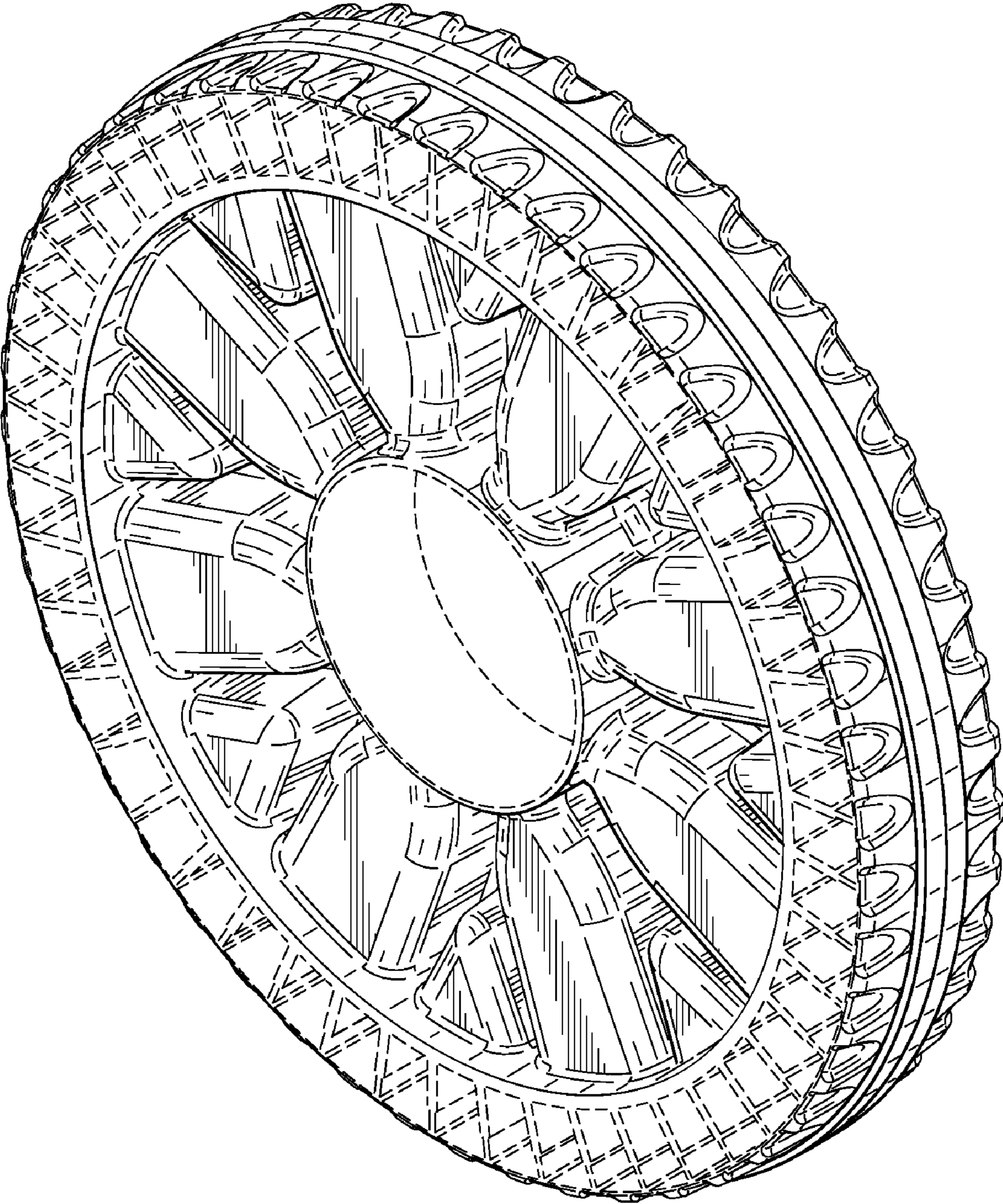


FIG. 2

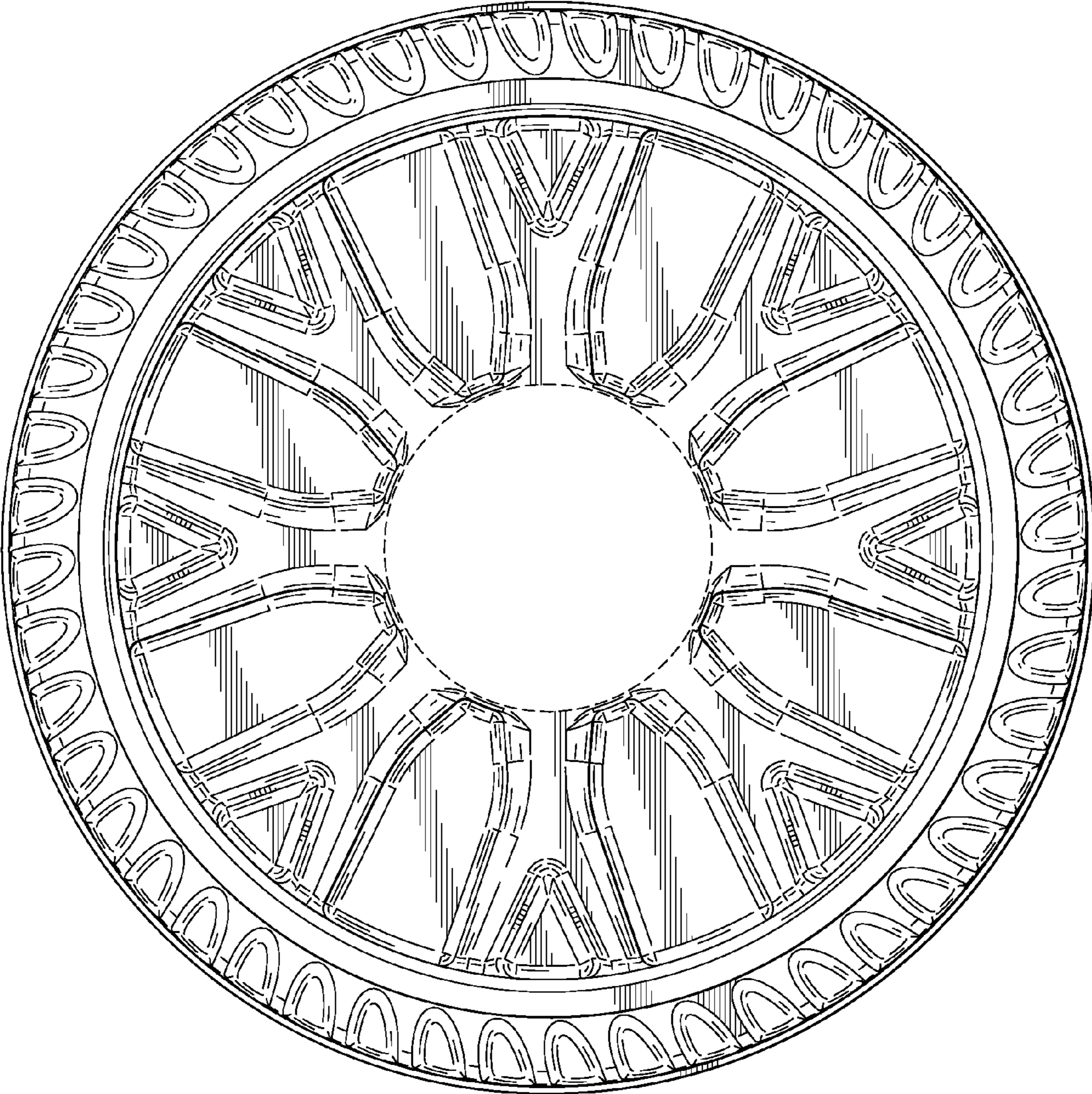


FIG. 3

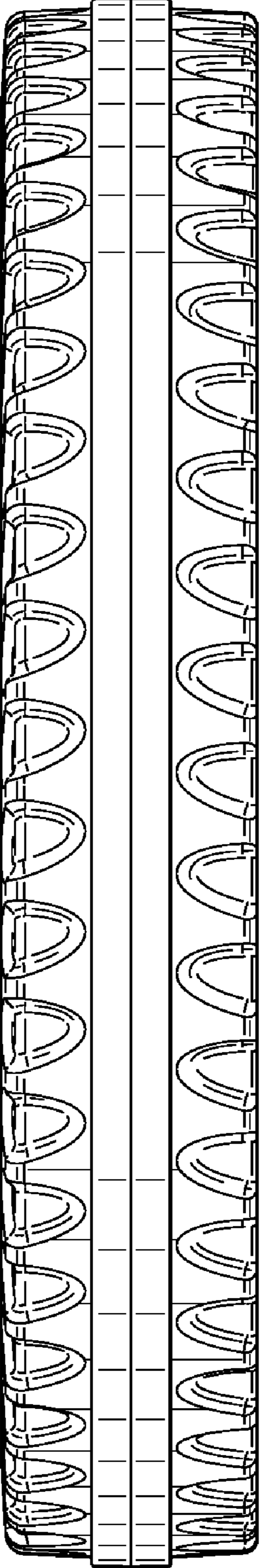


FIG. 4

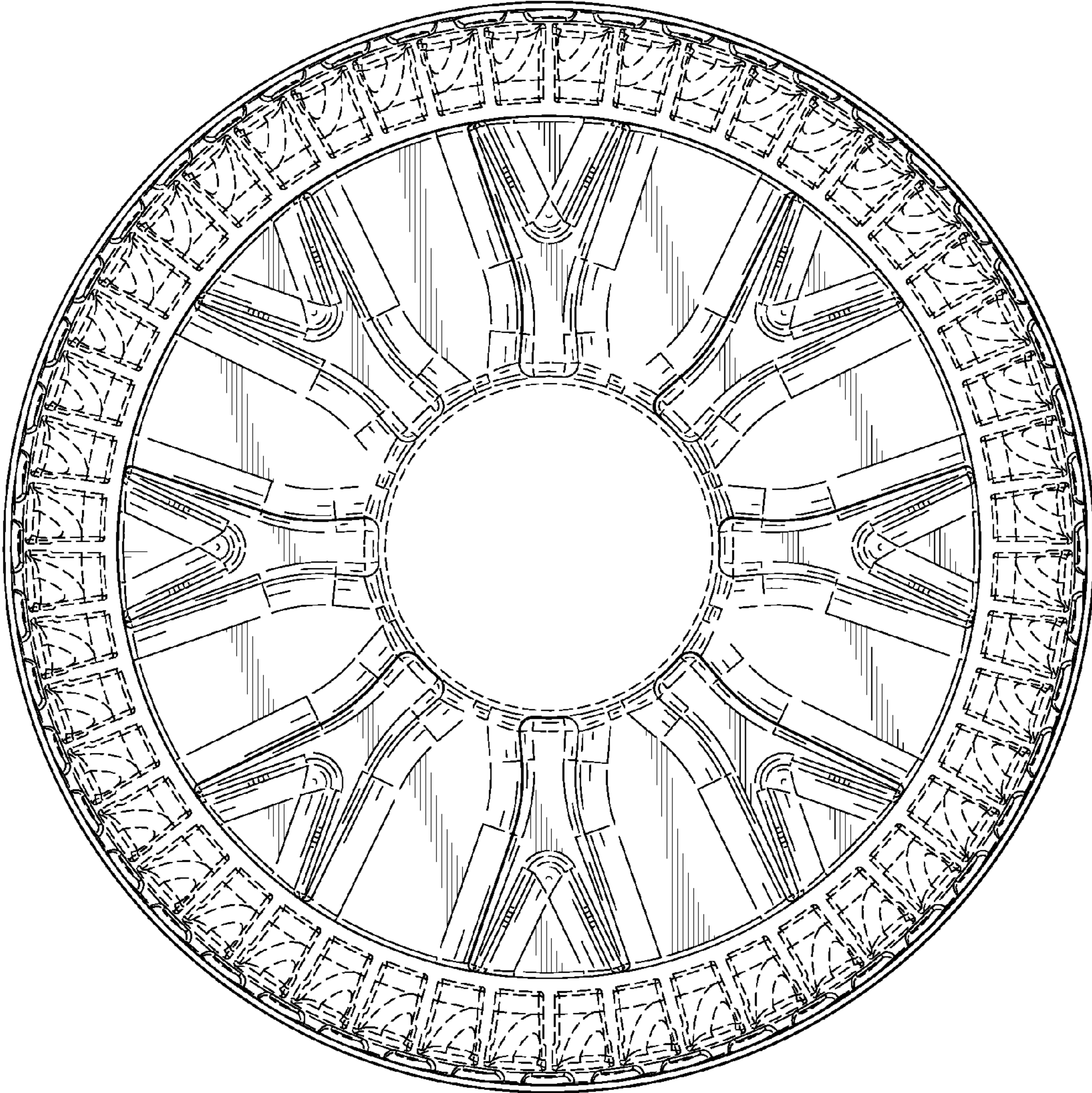


FIG. 5