



US00D631222S

(12) **United States Design Patent**
Gimeno et al.

(10) **Patent No.:** **US D631,222 S**
(45) **Date of Patent:** **** Jan. 18, 2011**

(54) **SHOPPING BASKET**

5,469,986 A 11/1995 Jang
5,901,482 A 5/1999 Sawyer et al.
5,988,334 A 11/1999 Caruso
6,079,720 A 6/2000 Spear et al.

(75) Inventors: **Isabel Gimeno**, Saragossa (ES); **Manuel Rodriguez**, Saragossa (ES); **Jose Antonio Puertolas**, Saragossa (ES)

(73) Assignee: **Araven, S.L.**, Zaragoza (ES)

(Continued)

(**) Term: **14 Years**

FOREIGN PATENT DOCUMENTS

(21) Appl. No.: **29/306,355**

EP 0780063 6/1997

(22) Filed: **Apr. 8, 2008**

(Continued)

Related U.S. Application Data

OTHER PUBLICATIONS

(63) Continuation-in-part of application No. 11/054,419, filed on Feb. 9, 2005, now Pat. No. 7,431,312.

International Search Report and Written Opinion of the International Searching Authority dated, April 19, 2005.

(30) **Foreign Application Priority Data**

(Continued)

Nov. 18, 2004 (ES) P200402780
Oct. 8, 2007 (EP) 803887-0001
Oct. 8, 2007 (EP) 803887-0002
Oct. 8, 2007 (EP) 803887-0003
Oct. 8, 2007 (EP) 803887-0004

Primary Examiner—Cynthia E Ramirez

(74) *Attorney, Agent, or Firm*—Katten Muchin Rosenman LLP

(51) **LOC (9) Cl.** **12-02**

(52) **U.S. Cl.** **D34/24**

(58) **Field of Classification Search** D34/12-27;
280/47.38, 47.19, 47.24, 47.26, 79.3
See application file for complete search history.

(57) **CLAIM**

The ornamental design for a shopping basket, as shown and described.

DESCRIPTION

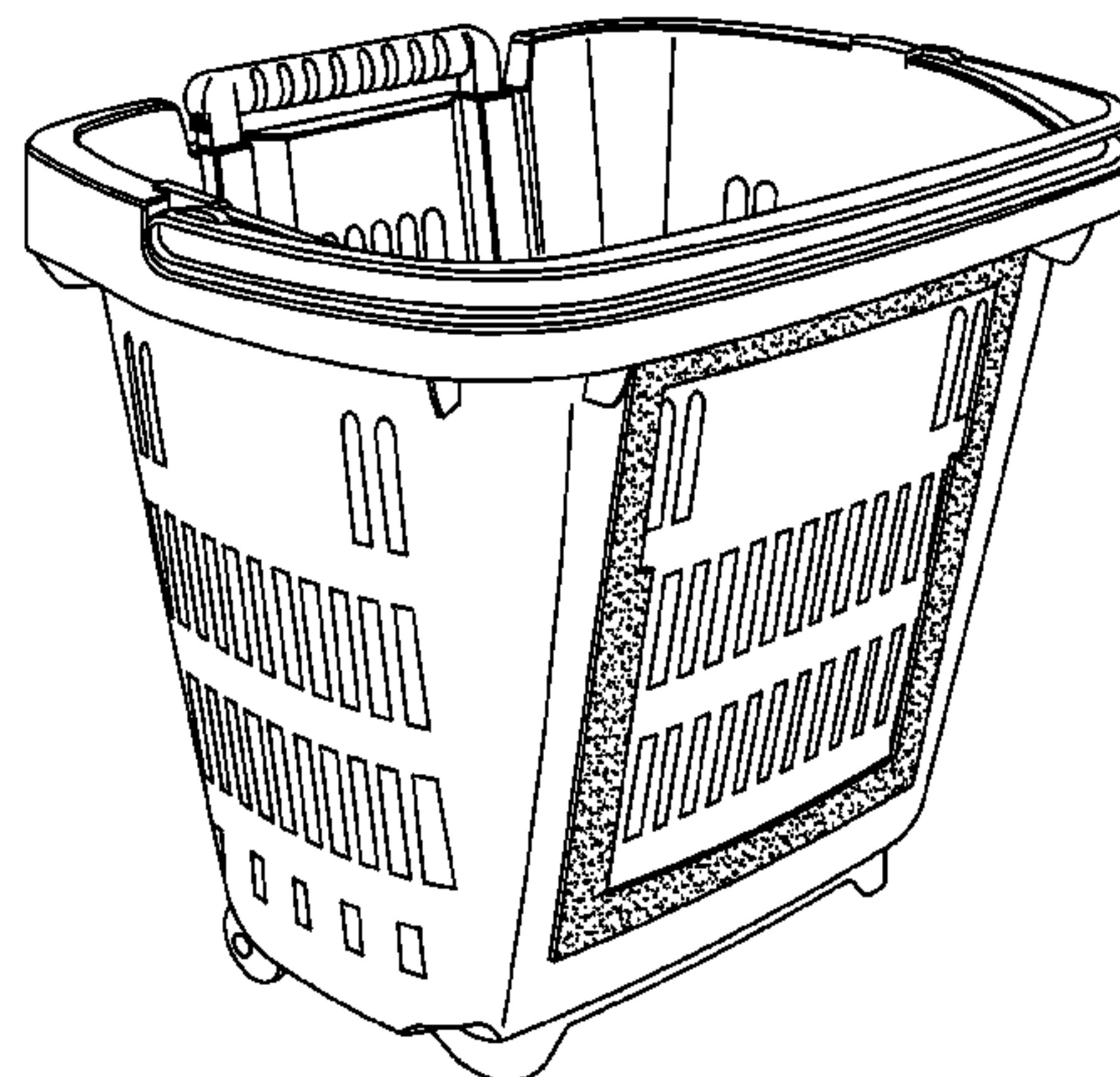
(56) **References Cited**

U.S. PATENT DOCUMENTS

1,689,448 A 10/1928 Moynahan
3,346,271 A 10/1967 Parsons
3,677,570 A 7/1972 Hedu
4,185,848 A 1/1980 Holz
4,217,711 A 8/1980 Spresser et al.
4,238,897 A 12/1980 Byers
4,765,074 A 8/1988 Loos
4,765,077 A 8/1988 Rosenthal et al.
4,773,175 A 9/1988 Larsen
4,805,331 A 2/1989 Boggess et al.
4,871,209 A 10/1989 Handelman

FIG. 1 is a front perspective view of a shopping basket showing our new design;
FIG. 2 is a rear perspective view shown with the handle in an extended position thereof;
FIG. 3 is a front view thereof;
FIG. 4 is a right side view thereof, the left side view thereof being a mirror image of the right side view;
FIG. 5 is a top view thereof;
FIG. 6 is a rear view thereof; and,
FIG. 7 is a bottom view thereof.

1 Claim, 7 Drawing Sheets



US D631,222 S

Page 2

U.S. PATENT DOCUMENTS

6,116,390 A 9/2000 Cohen
6,179,176 B1 1/2001 Saggese et al.
6,193,033 B1 2/2001 Sadow et al.
D440,020 S 4/2001 Ronson et al.
6,349,951 B1 2/2002 Morgensen et al.
6,431,580 B1 8/2002 Kady
D468,619 S 1/2003 Nofziger et al.
6,651,992 B1 11/2003 Smith
D486,619 S 2/2004 Rivera et al.
D533,327 S * 12/2006 McCaskill D34/17
D544,159 S 6/2007 McCoy et al.
D546,511 S 7/2007 Luster et al.
7,252,295 B2 * 8/2007 Blutworth 280/33.991
D563,620 S * 3/2008 Dong D34/19
7,494,136 B2 * 2/2009 Alves et al. 280/33.998
2002/0171288 A1 11/2002 Ahlgren
2005/0087415 A1 4/2005 Gorga et al.
2006/0103087 A1 * 5/2006 Alcala Sebastian 280/47.26
2008/0309036 A1 * 12/2008 Overland 280/33.992

FOREIGN PATENT DOCUMENTS

EP 1407956 4/2004

ES 1000984 12/1986
ES 1027023 2/1994
ES 1032273 10/1995
ES 2159178 9/2001
WO 98/13269 4/1998

OTHER PUBLICATIONS

European Patent Application 1834539-Araven S.A. Observations under Article 115 EPC.

Non-final Office Action dated Jan. 29, 2010 from corresponding U.S. Appl. No. 29/352,675.

Non-final Office Action dated Jan. 29, 2010 from corresponding U.S. Appl. No. 29/352,677.

Non-final Office Action dated Jan. 29, 2010 from corresponding U.S. Appl. No. 29/352,678.

U.S. Office Action dated Jul. 7, 2010, from corresponding U.S. Appl. No. 29/352,675.

U.S. Office Action dated Jul. 8, 2010, from corresponding U.S. Appl. No. 29/352,677.

* cited by examiner

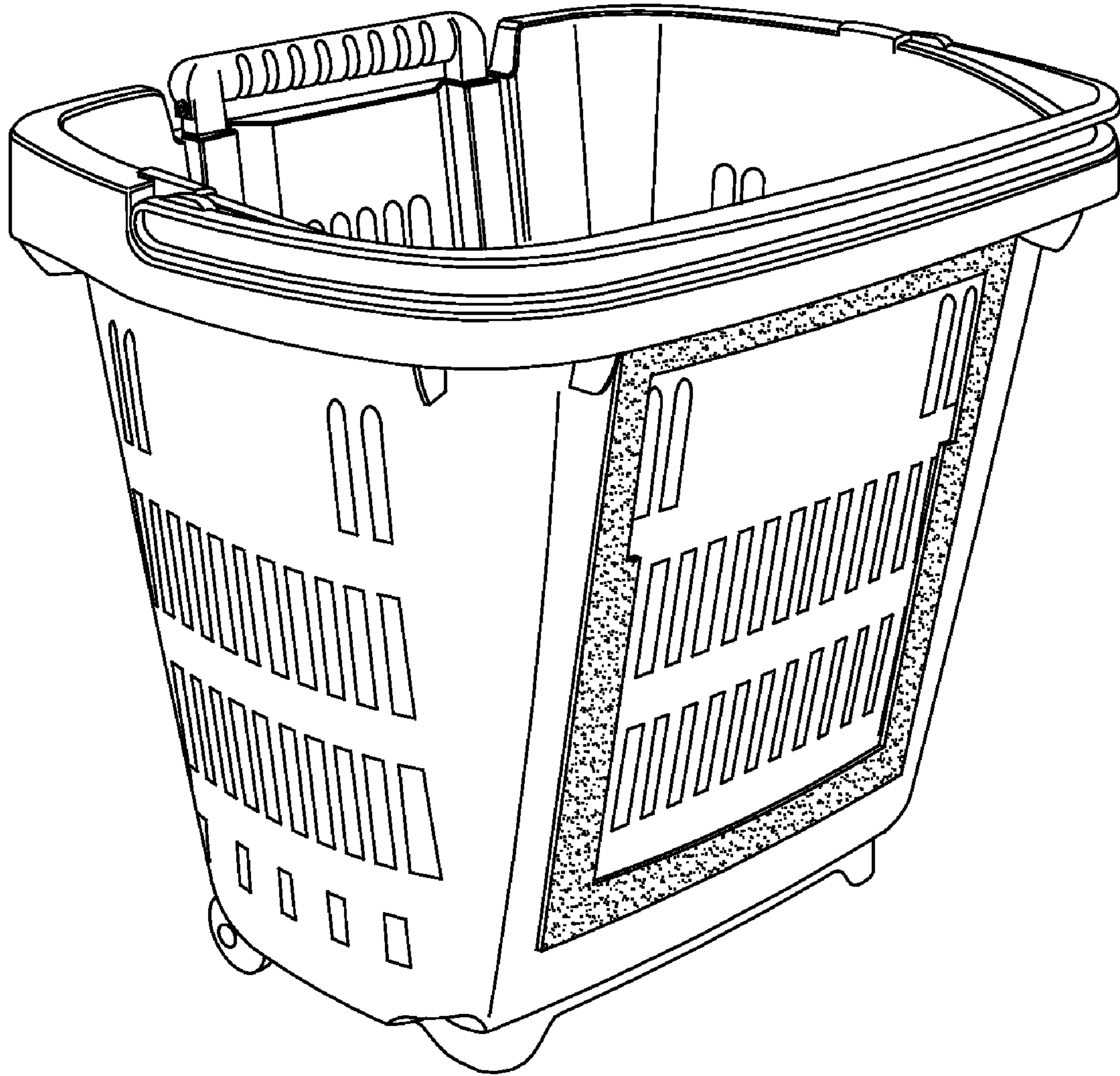


FIG. 1

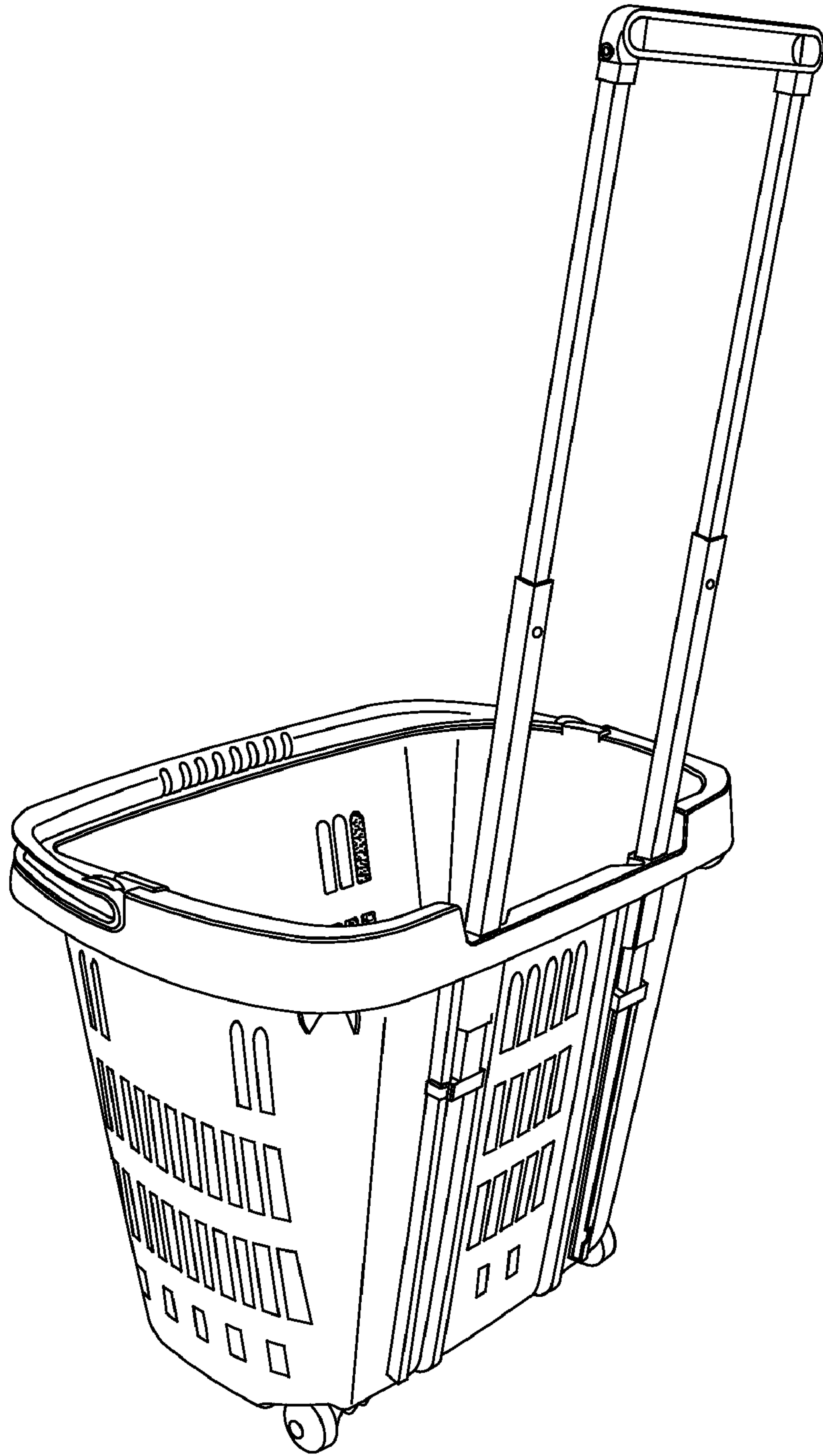


FIG. 2

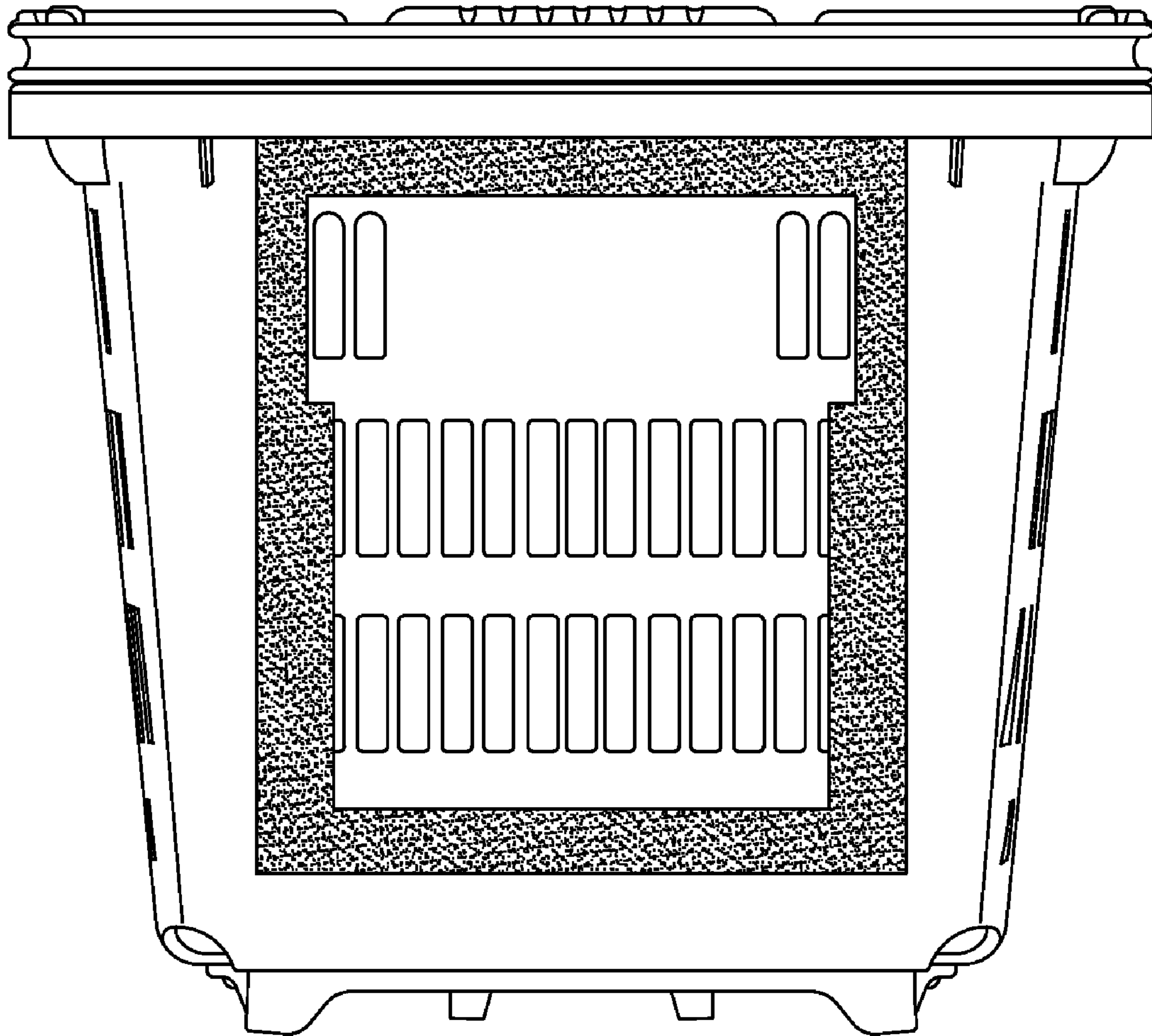


FIG. 3

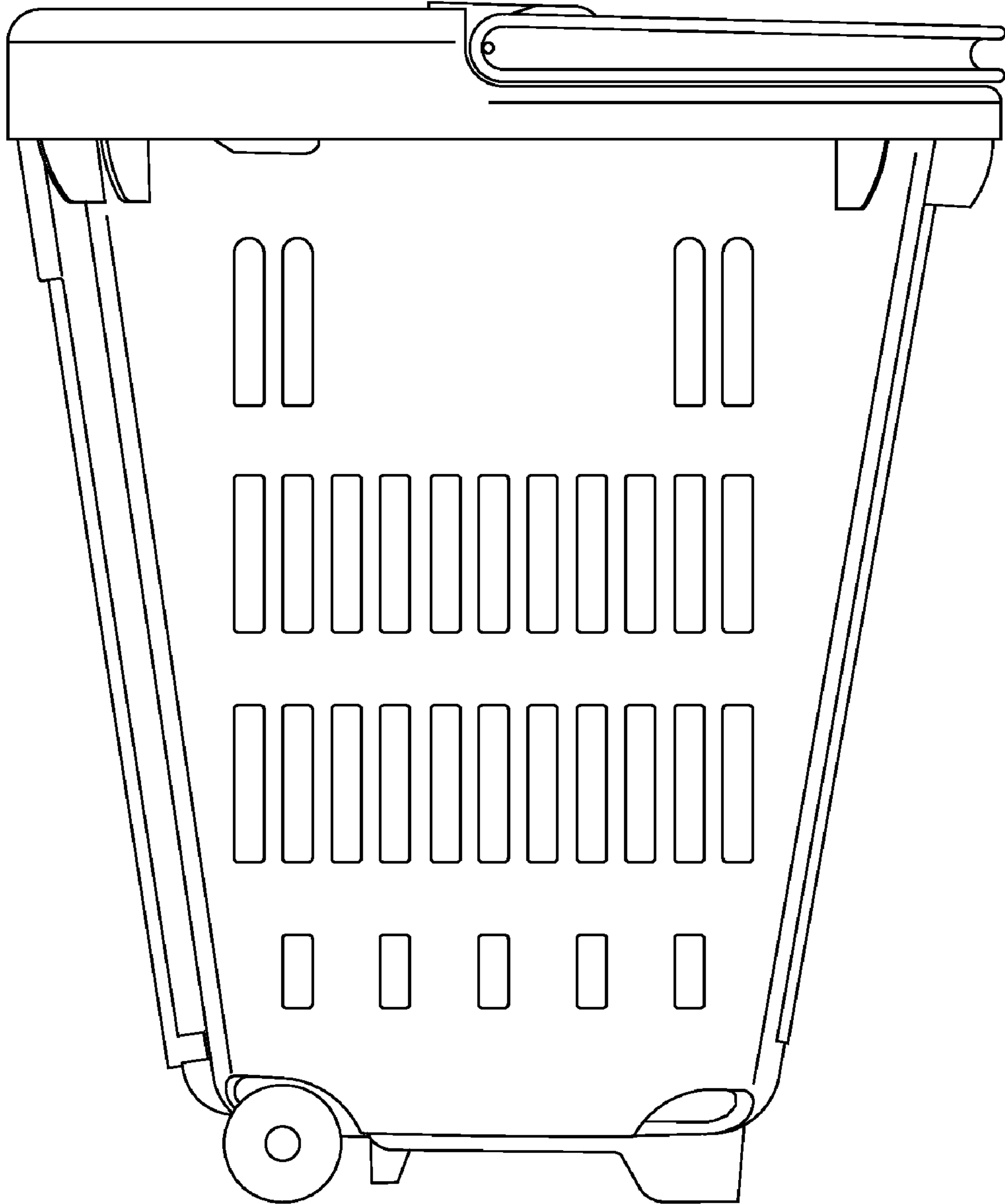


FIG. 4

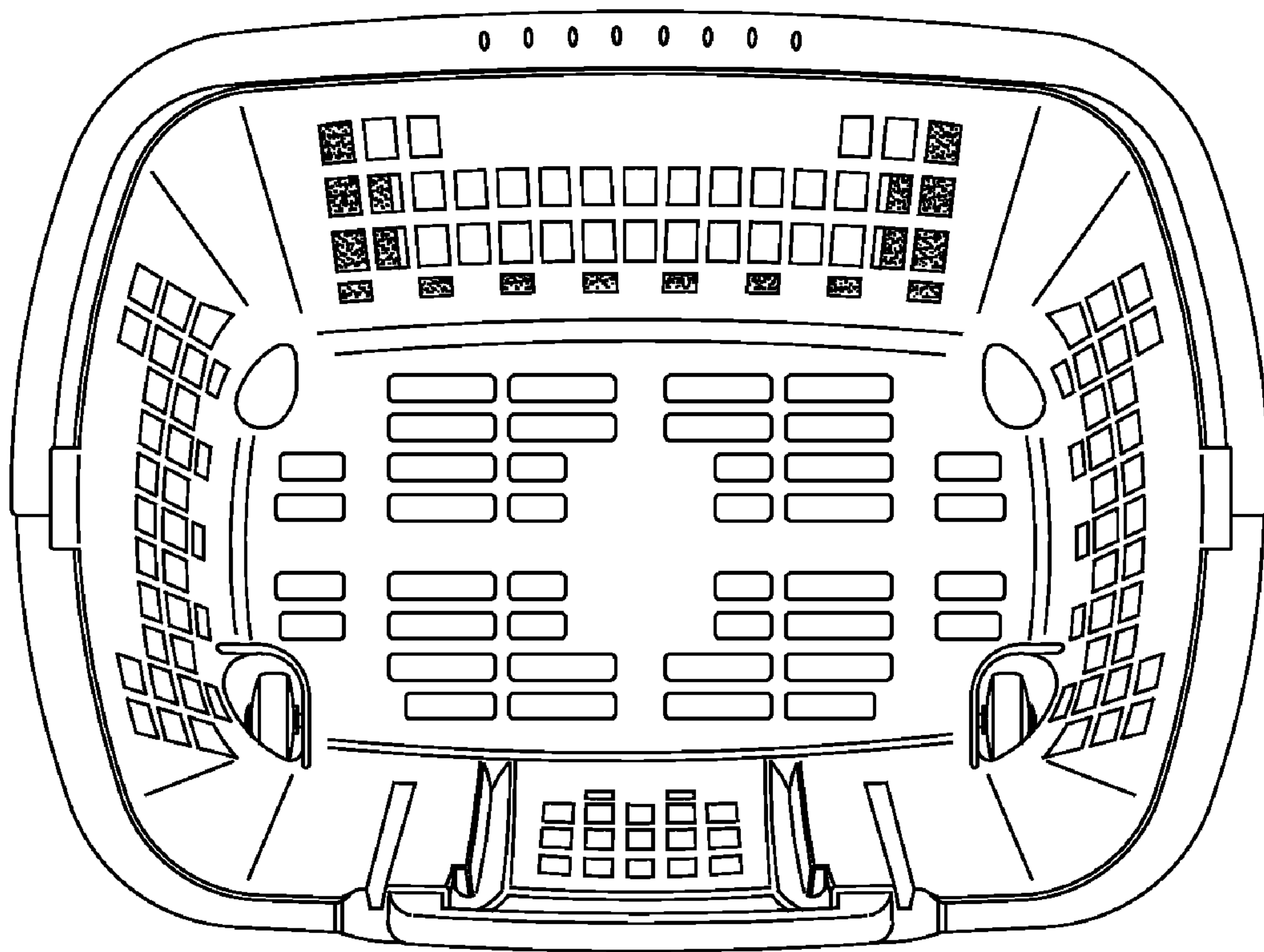


FIG. 5

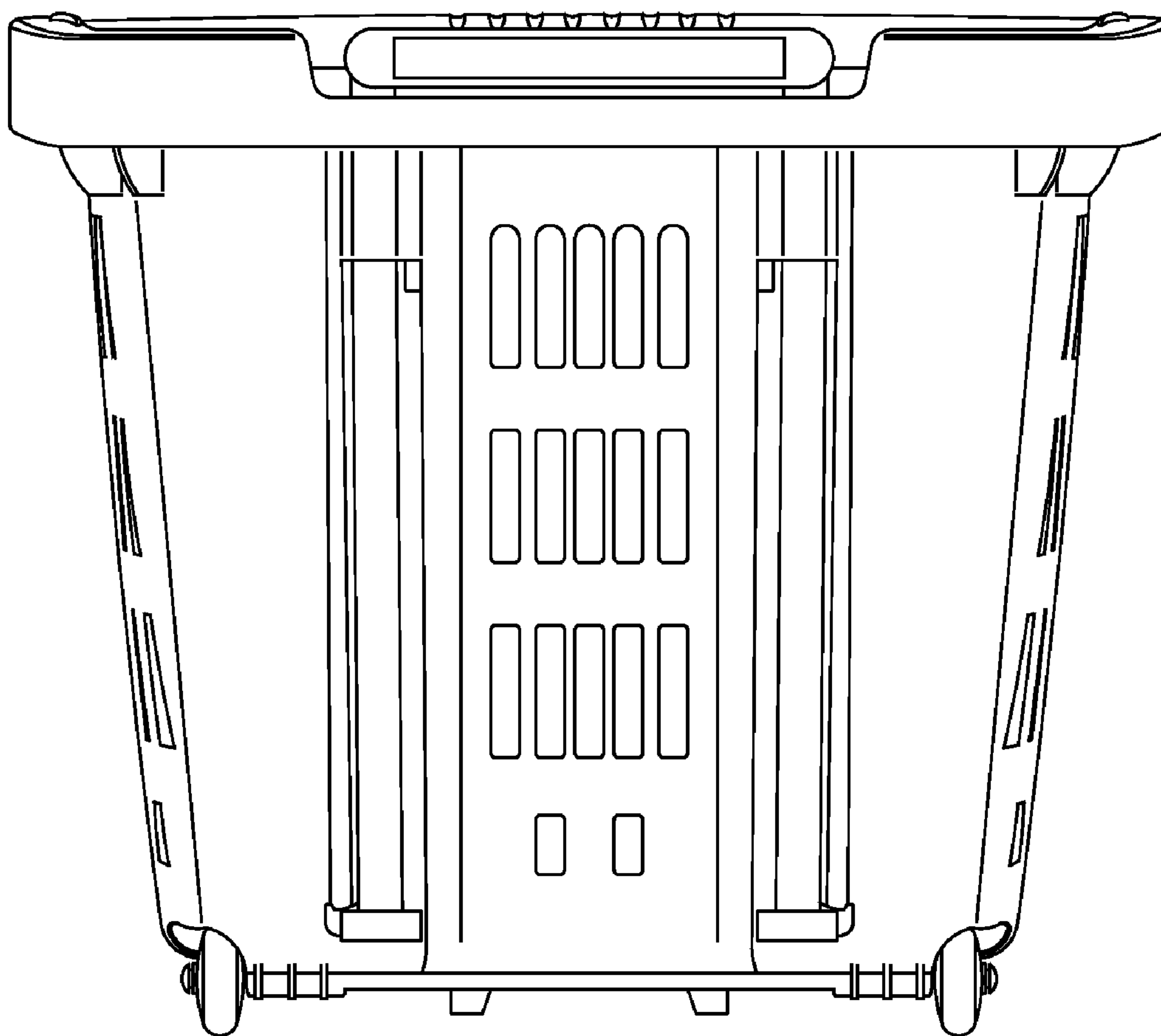


FIG. 6

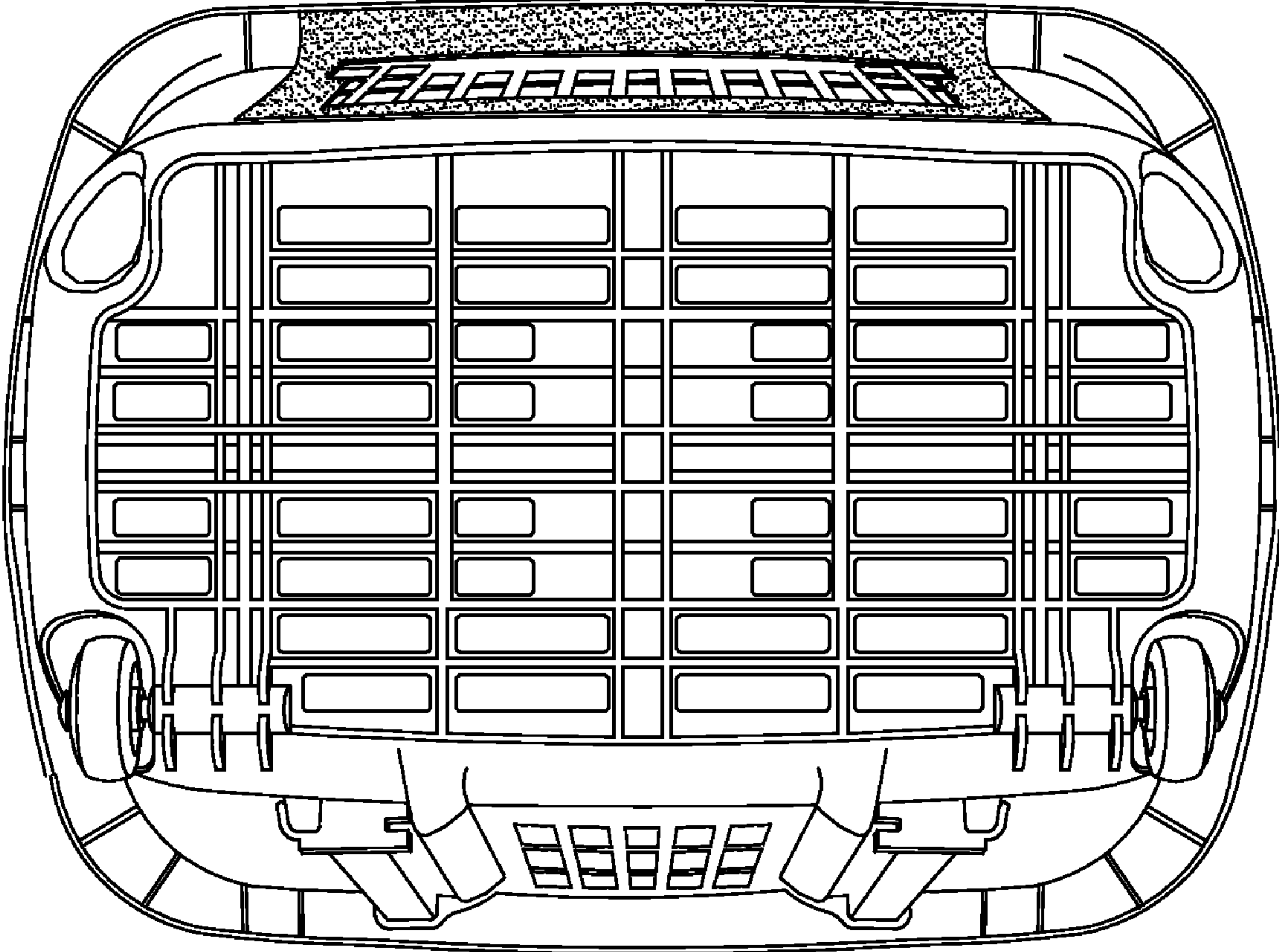


FIG. 7

UNITED STATES PATENT AND TRADEMARK OFFICE
CERTIFICATE OF CORRECTION

PATENT NO. : D631,222 S
APPLICATION NO. : 29/306355
DATED : January 18, 2011
INVENTOR(S) : Isabel Gimeno et al.

Page 1 of 1

It is certified that error appears in the above-identified patent and that said Letters Patent is hereby corrected as shown below:

On the Title Page, item (75) should read as follows:

Item (75) Inventors: Isabel Gimeno, Zaragoza (ES);
Manuel Rodriguez, Zaragoza (ES);
Jose Antonio Puertolas, Zaragoza (ES)

Signed and Sealed this
Twenty-third Day of August, 2011

A handwritten signature in black ink that reads "David J. Kappos". The signature is written in a cursive style with a large initial "D" and "K".

David J. Kappos
Director of the United States Patent and Trademark Office