



US00D631220S

(12) **United States Design Patent**  
**Knauf**

(10) **Patent No.:** **US D631,220 S**

(45) **Date of Patent:** **\*\* Jan. 18, 2011**

(54) **PAINT BRUSH HOLDER AND WIPER**

(76) Inventor: **Lowell Knauf**, 265 Alsace Ave., Venice,  
FL (US) 34285

(\*\*) Term: **14 Years**

(21) Appl. No.: **29/353,370**

(22) Filed: **Jan. 7, 2010**

(51) **LOC (9) Cl.** ..... **07-07**

(52) **U.S. Cl.** ..... **D32/54**

(58) **Field of Classification Search** ..... D32/53,  
D32/53.1, 54; 222/570, 567; 220/694-701  
See application file for complete search history.

(56) **References Cited**

U.S. PATENT DOCUMENTS

2,355,549	A	8/1944	Myers	
2,466,850	A	4/1949	Hoffman	
3,298,561	A *	1/1967	McConnie	220/695
3,329,307	A *	7/1967	Jacobson	220/695
3,395,828	A *	8/1968	Schnabel	220/697
3,688,943	A *	9/1972	Brown	220/697
D254,482	S *	3/1980	Bell	D9/435
4,225,064	A *	9/1980	Westcott	222/569
4,852,833	A	8/1989	Lockwood	
4,911,319	A *	3/1990	DeJean	222/570
5,016,773	A	5/1991	Lockwood	
D342,592	S *	12/1993	Lindsay	D32/54
D345,833	S *	4/1994	Truran	D32/54
5,626,258	A *	5/1997	Maiorino	220/695
D438,680	S *	3/2001	Cogdill	D32/53

6,213,338	B1 *	4/2001	Cogdill	220/700
D475,826	S *	6/2003	Mowe	D32/54
D476,787	S *	7/2003	Templeton	D32/54
6,681,952	B2 *	1/2004	Mowe	220/697
D489,261	S *	5/2004	Doelling	D9/447
D489,611	S *	5/2004	Monsanty	D9/435
7,134,576	B2 *	11/2006	Gringer et al.	222/143

\* cited by examiner

*Primary Examiner*—Robin V Webster

(74) *Attorney, Agent, or Firm*—Gifford, Krass, Sprinkle,  
Anderson & Citkowski, P.C.

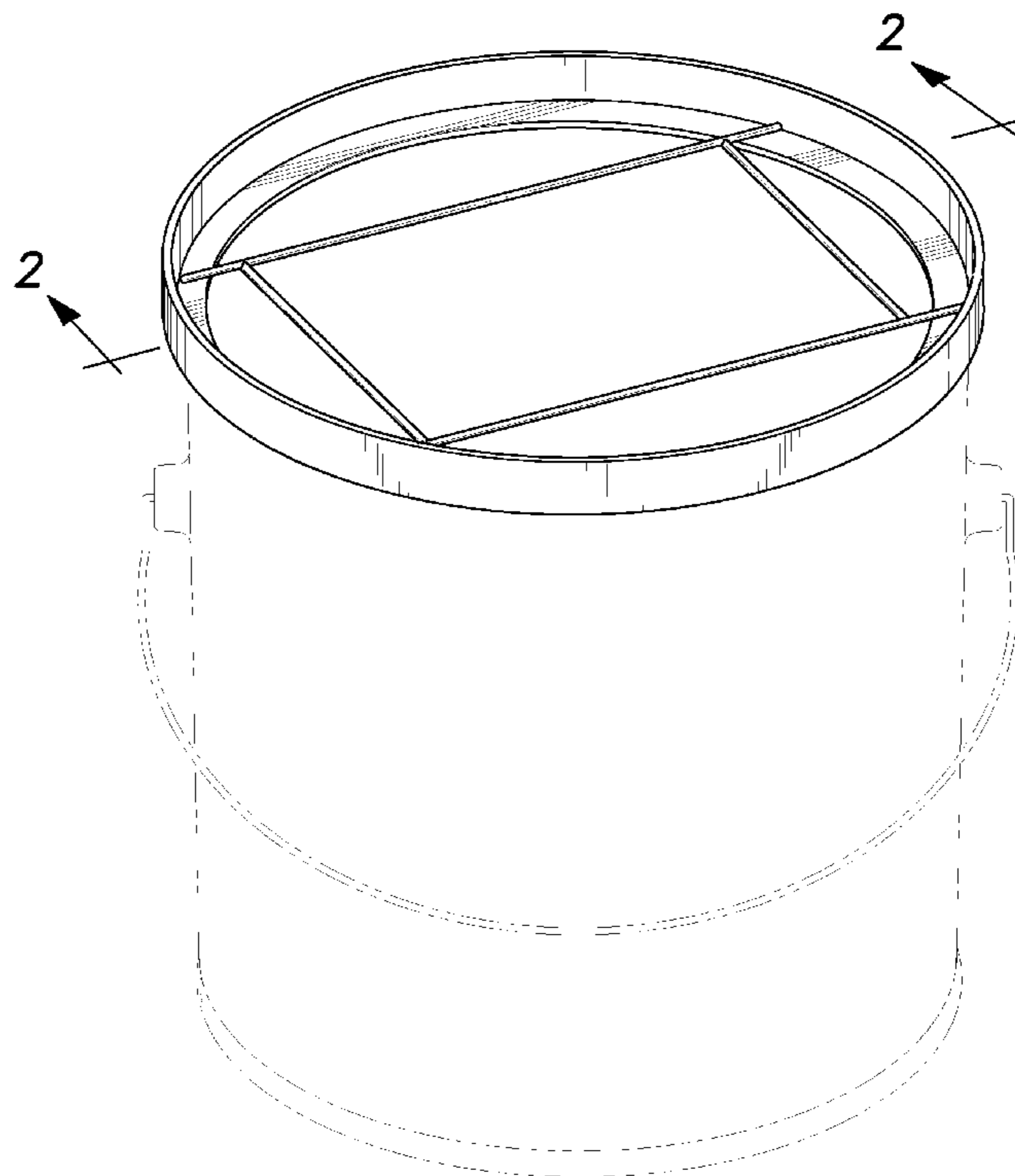
(57) **CLAIM**

The ornamental design for paint brush holder and wiper, as shown and described.

**DESCRIPTION**

FIG. 1 is a perspective view of the paint brush holder and wiper of the present design in use on the top of a paint can; FIG. 2 is a cross-sectional view taken along line 2—2 of FIG. 1; FIG. 3 is a top plan view thereof; FIG. 4 is a side view as seen from the left side of FIG. 2; and, FIG. 5 is a bottom plan view thereof. FIG. 2 is shown fragmented to indicate indeterminate length. The broken line showing is included for the purpose of illustrating and forms no part of the claimed design.

**1 Claim, 2 Drawing Sheets**



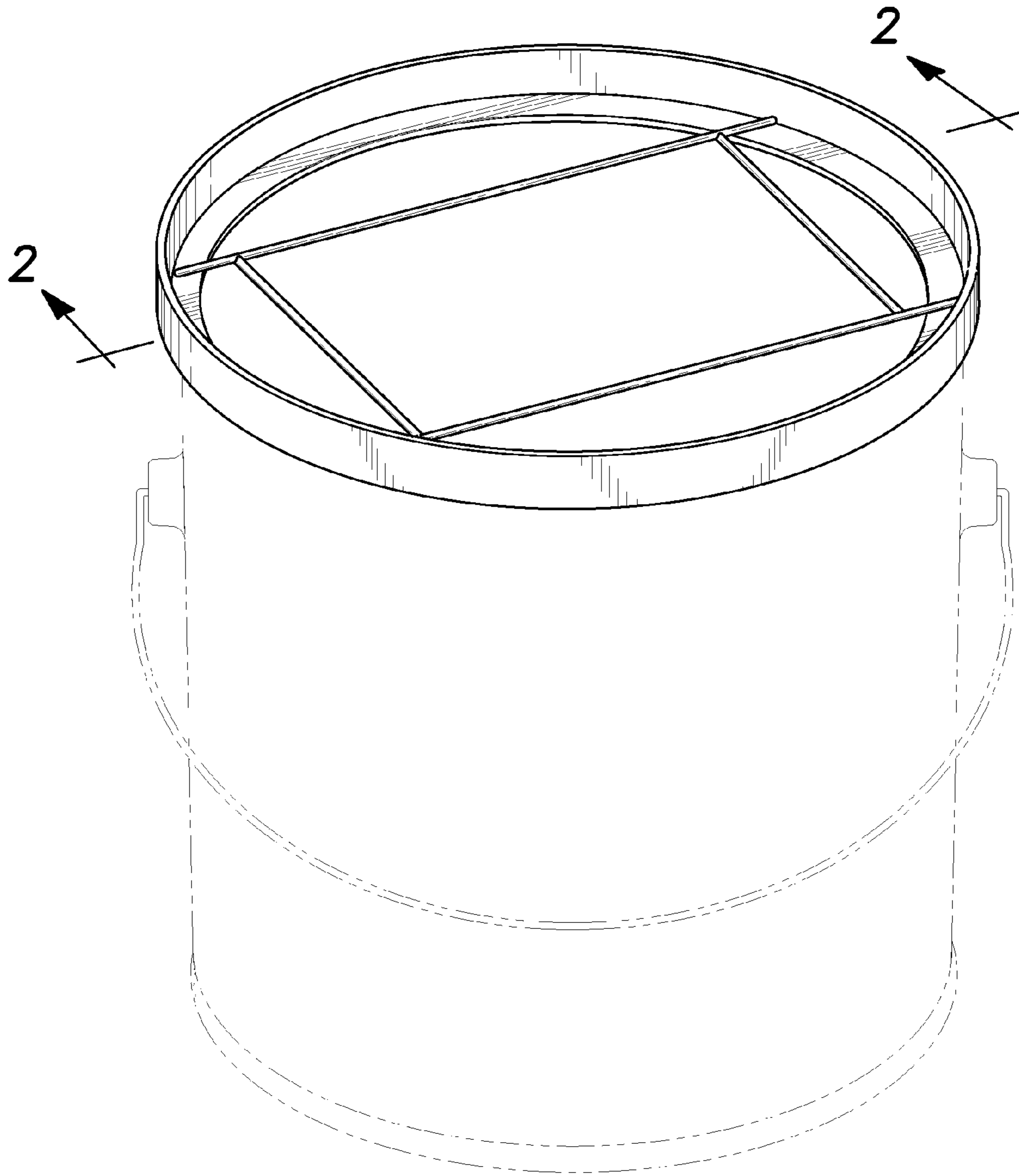


Fig-1

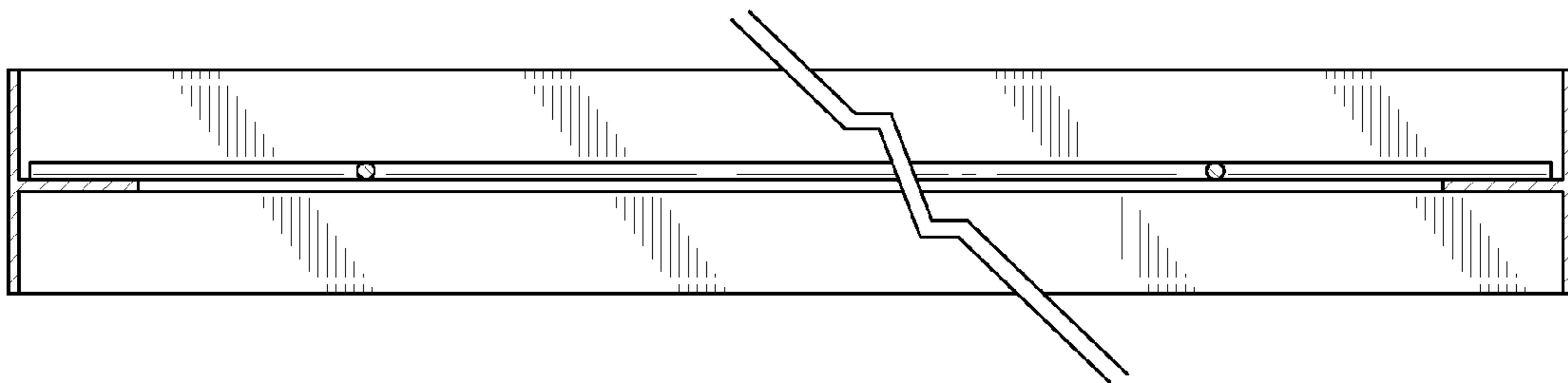


Fig-2

Fig-3

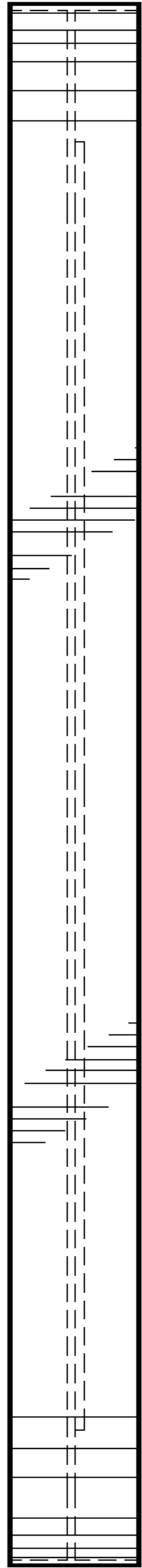
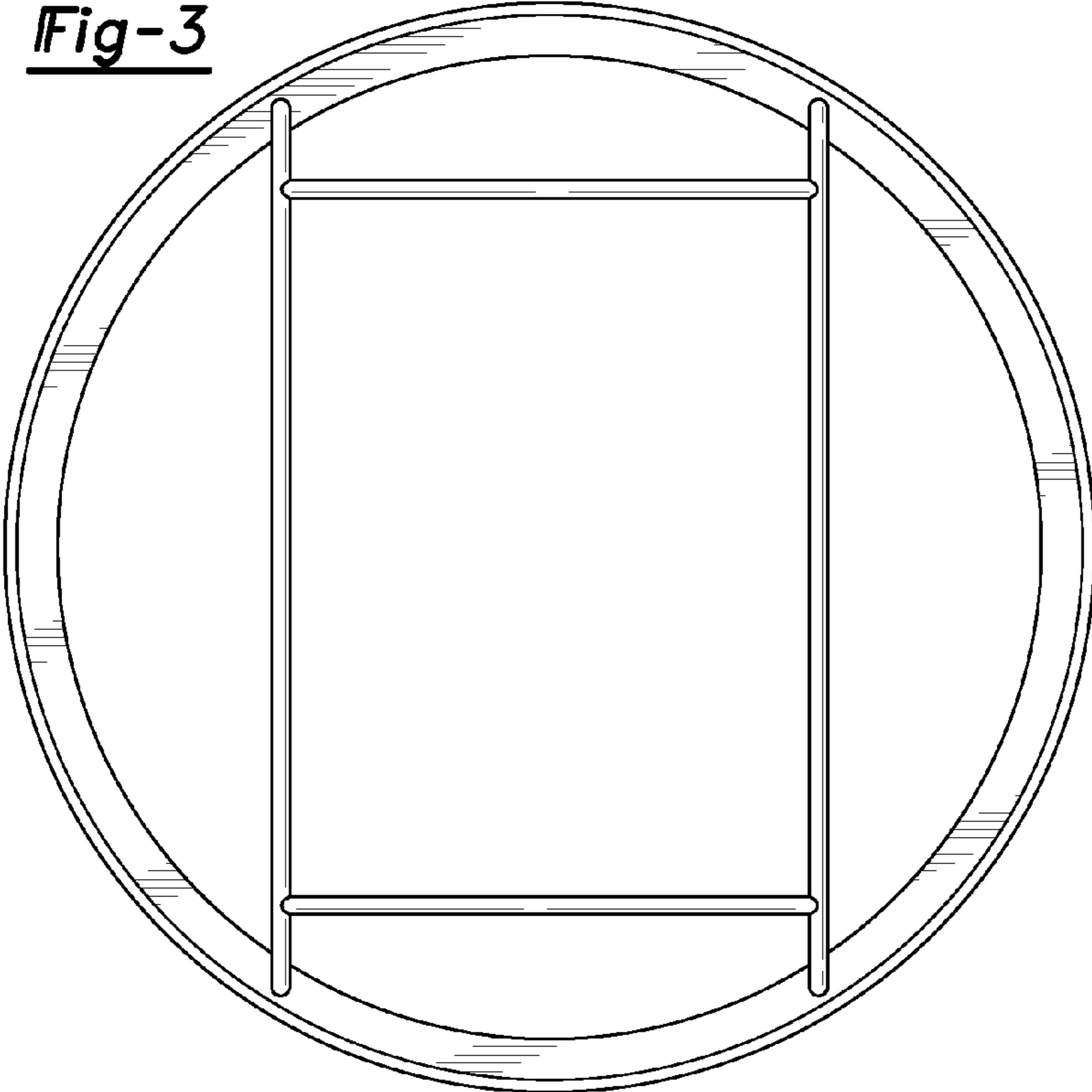


Fig-4

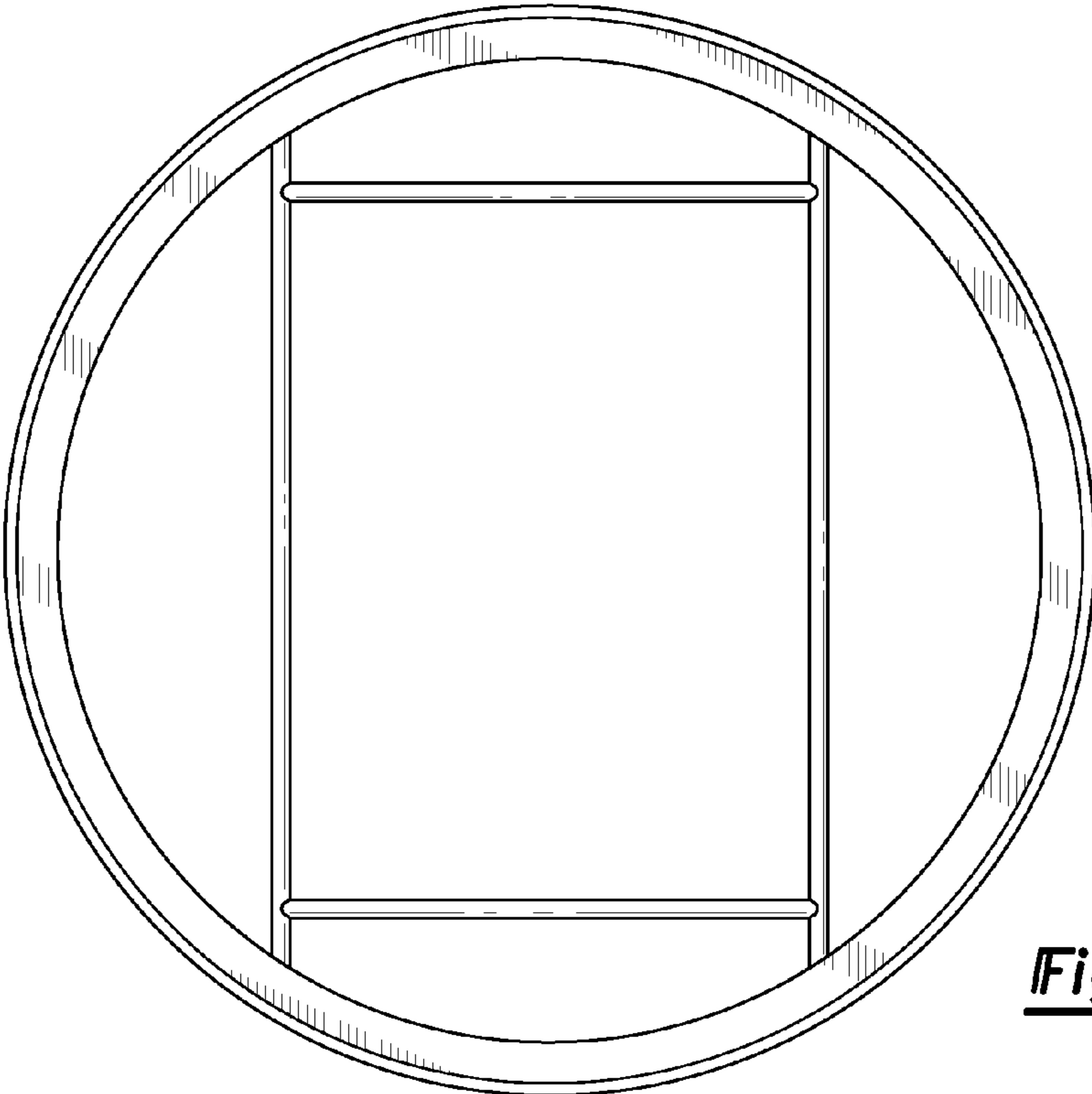


Fig-5