



US00D631218S

(12) **United States Design Patent**
Weis et al.

(10) **Patent No.:** **US D631,218 S**

(45) **Date of Patent:** **** Jan. 18, 2011**

(54) **MOP HOUSING**

(75) Inventors: **Norbert Weis**, Naperville, IL (US);
Robert Giacolo, Naperville, IL (US)

(73) Assignee: **Freudenberg Household Products LP**,
Aurora, IL (US)

(**) Term: **14 Years**

(21) Appl. No.: **29/365,615**

(22) Filed: **Jul. 12, 2010**

Related U.S. Application Data

(62) Division of application No. 29/288,822, filed on Jun. 22, 2007.

(51) **LOC (9) Cl.** **04-01**

(52) **U.S. Cl.** **D32/50**

(58) **Field of Classification Search** D32/40,
D32/44, 50; 15/116.1, 116.2, 119.1, 119.2,
15/144.2, 147.1, 147.2, 150, 228, 229.1–229.3;
D4/199; 401/207, 628

See application file for complete search history.

(56) **References Cited**

U.S. PATENT DOCUMENTS

4,015,305 A * 4/1977 Komatsu 15/150
D295,913 S 5/1988 Jones et al.

D334,263 S 3/1993 Torres
D497,228 S 10/2004 Berti
D497,229 S * 10/2004 Berti D32/50
D529,294 S 10/2006 Van Landingham, Jr.
D531,367 S * 10/2006 Hay D32/50
7,552,499 B2 6/2009 James et al.
2003/0028988 A1 2/2003 Streutker et al.

* cited by examiner

Primary Examiner—Nanda Bondade

(74) *Attorney, Agent, or Firm*—Leydig, Voit & Mayer, Ltd.

(57) **CLAIM**

The ornamental design for a mop housing, as shown and described.

DESCRIPTION

FIG. 1 is a top, front and right side perspective view of a mop housing showing our new design;

FIG. 2 is an enlarged front elevational view thereof;

FIG. 3 is a rear elevational view thereof;

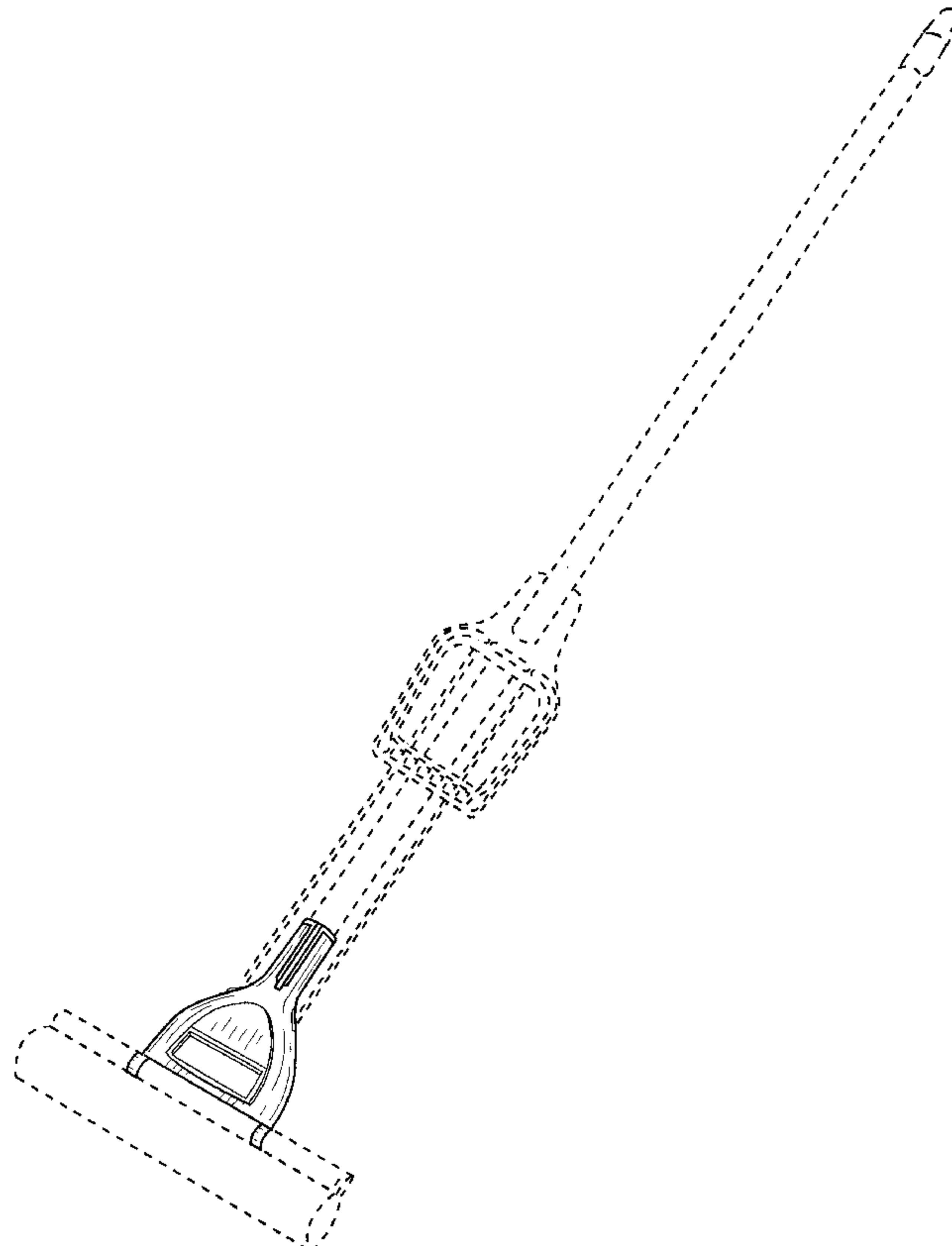
FIG. 4 is a left side elevational view thereof;

FIG. 5 is a right side elevational view thereof; and,

FIG. 6 is a top plan view thereof.

The broken lines are for illustration purposes only and form no part of the claimed design.

1 Claim, 6 Drawing Sheets



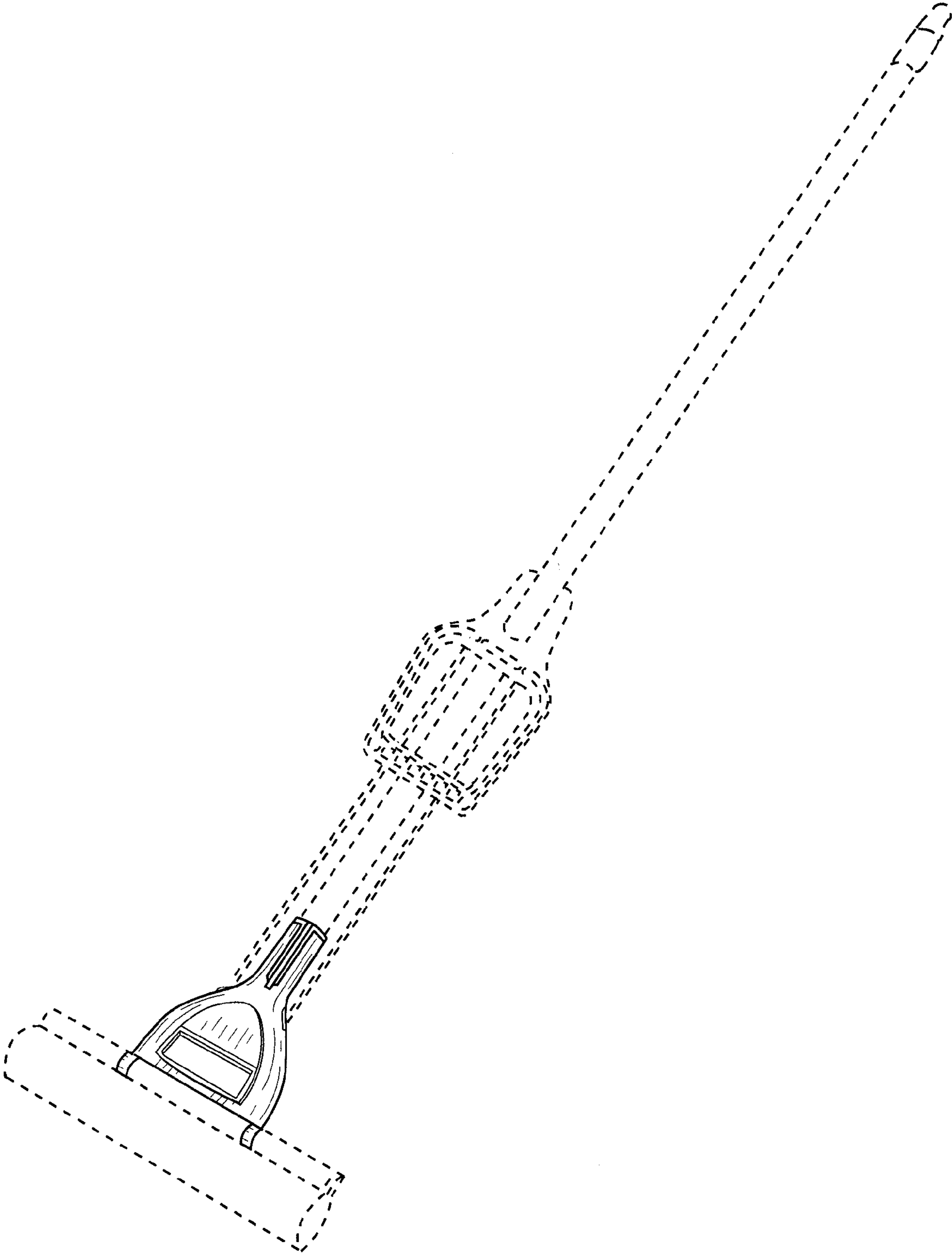


FIG. 1

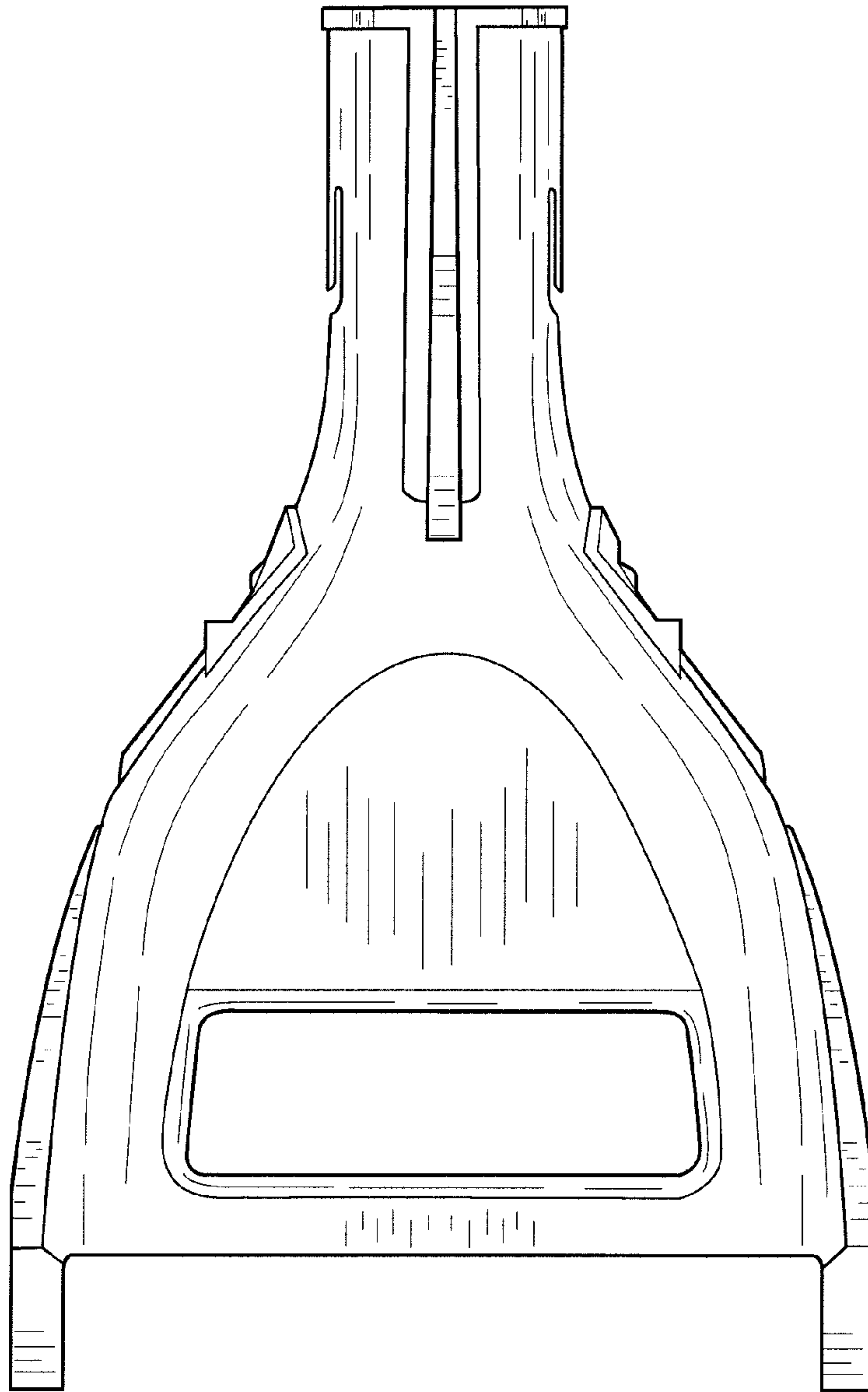


FIG. 2

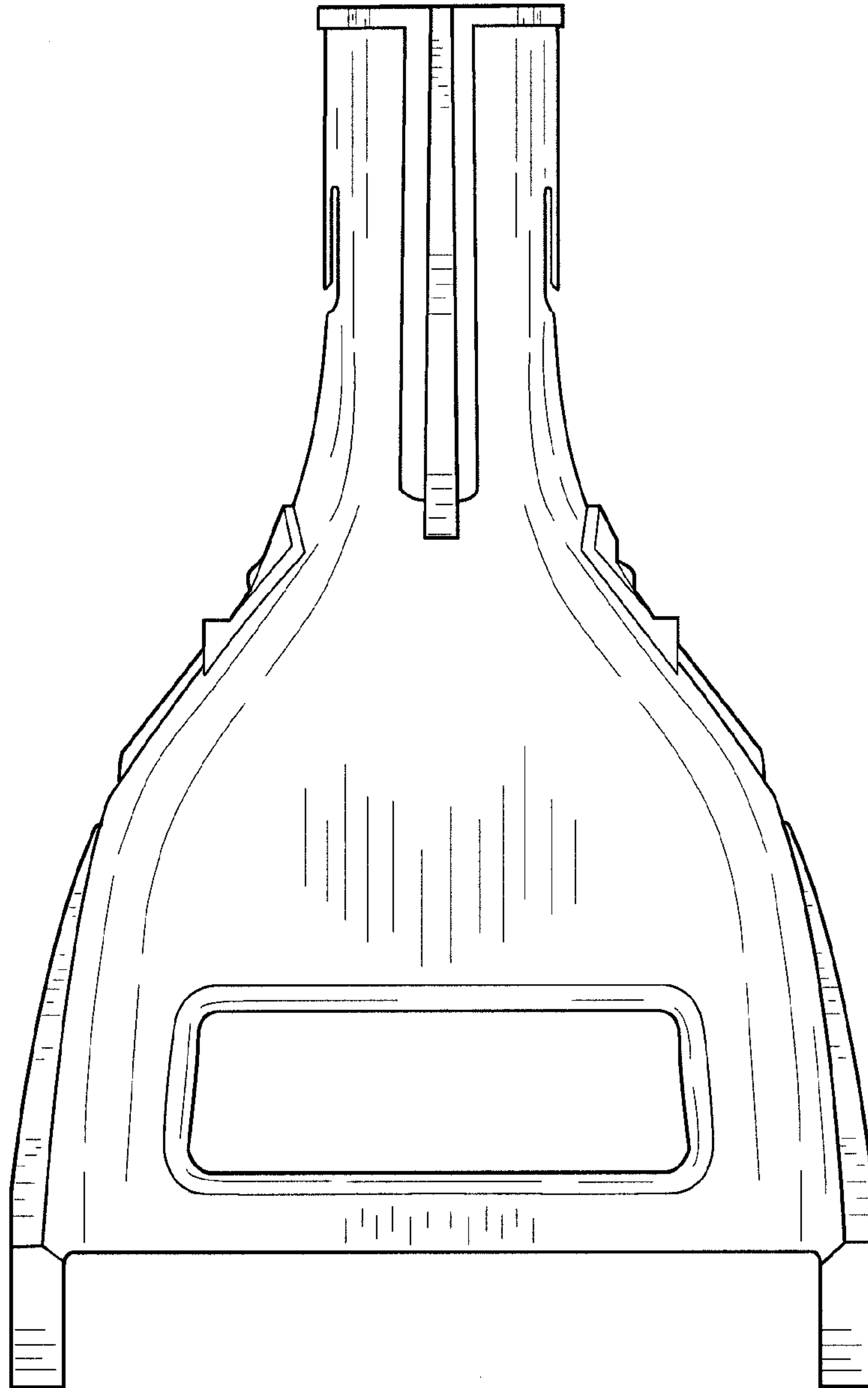


FIG. 3

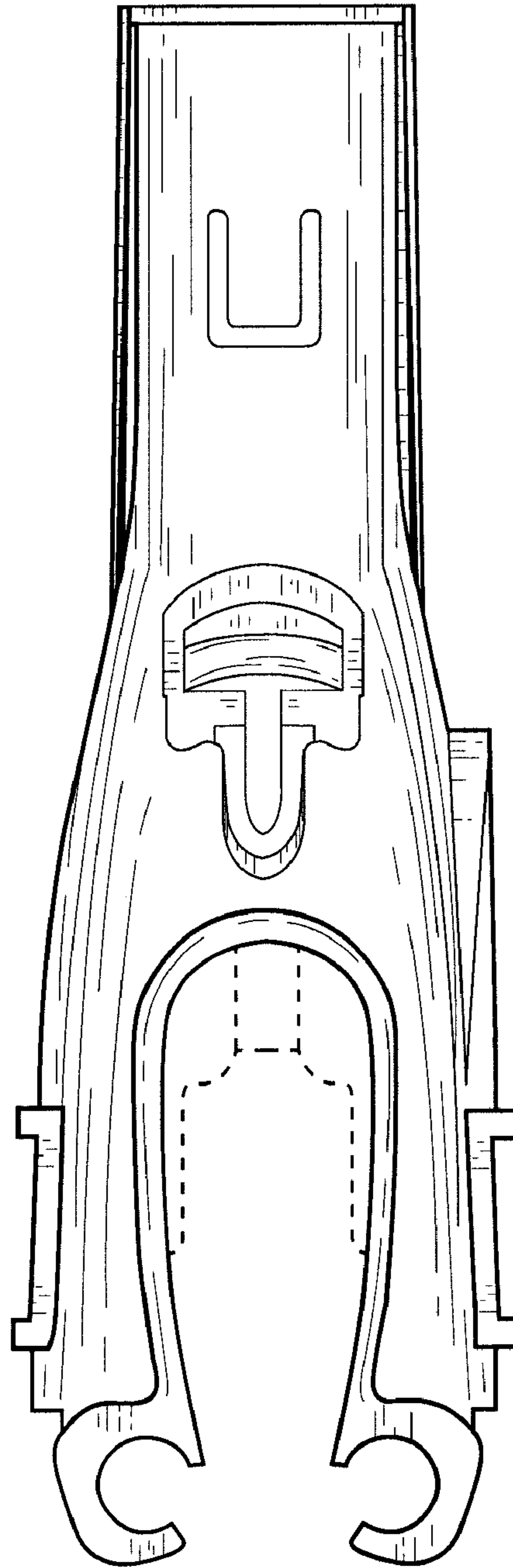


FIG. 4

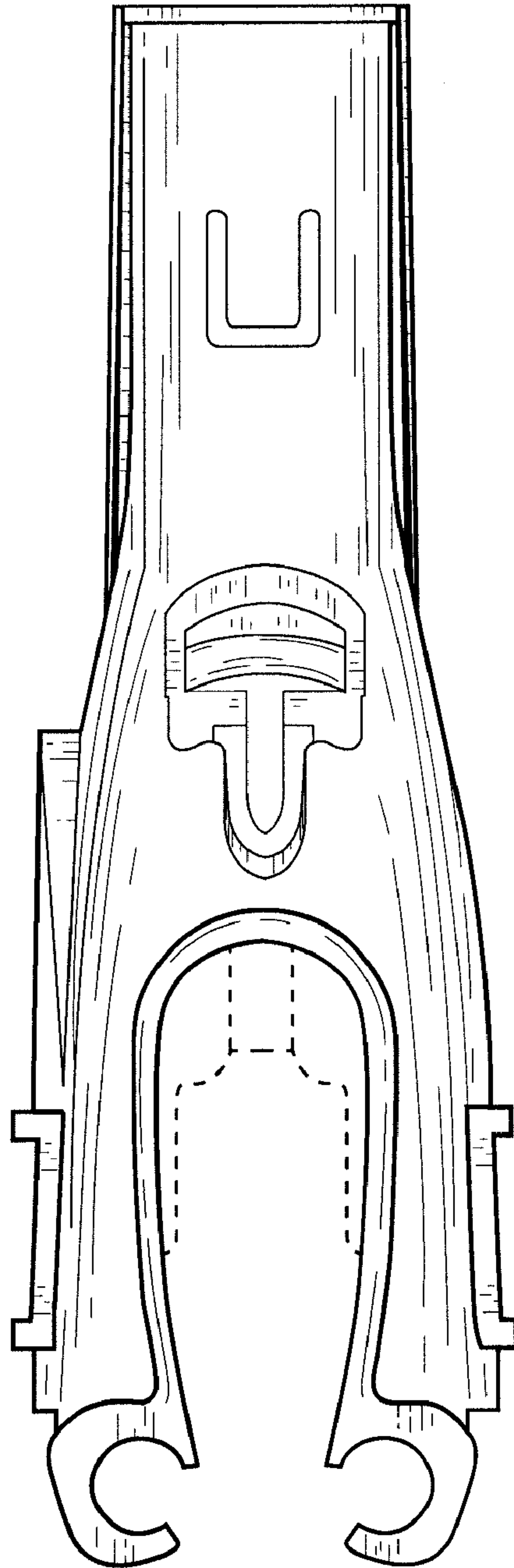


FIG. 5

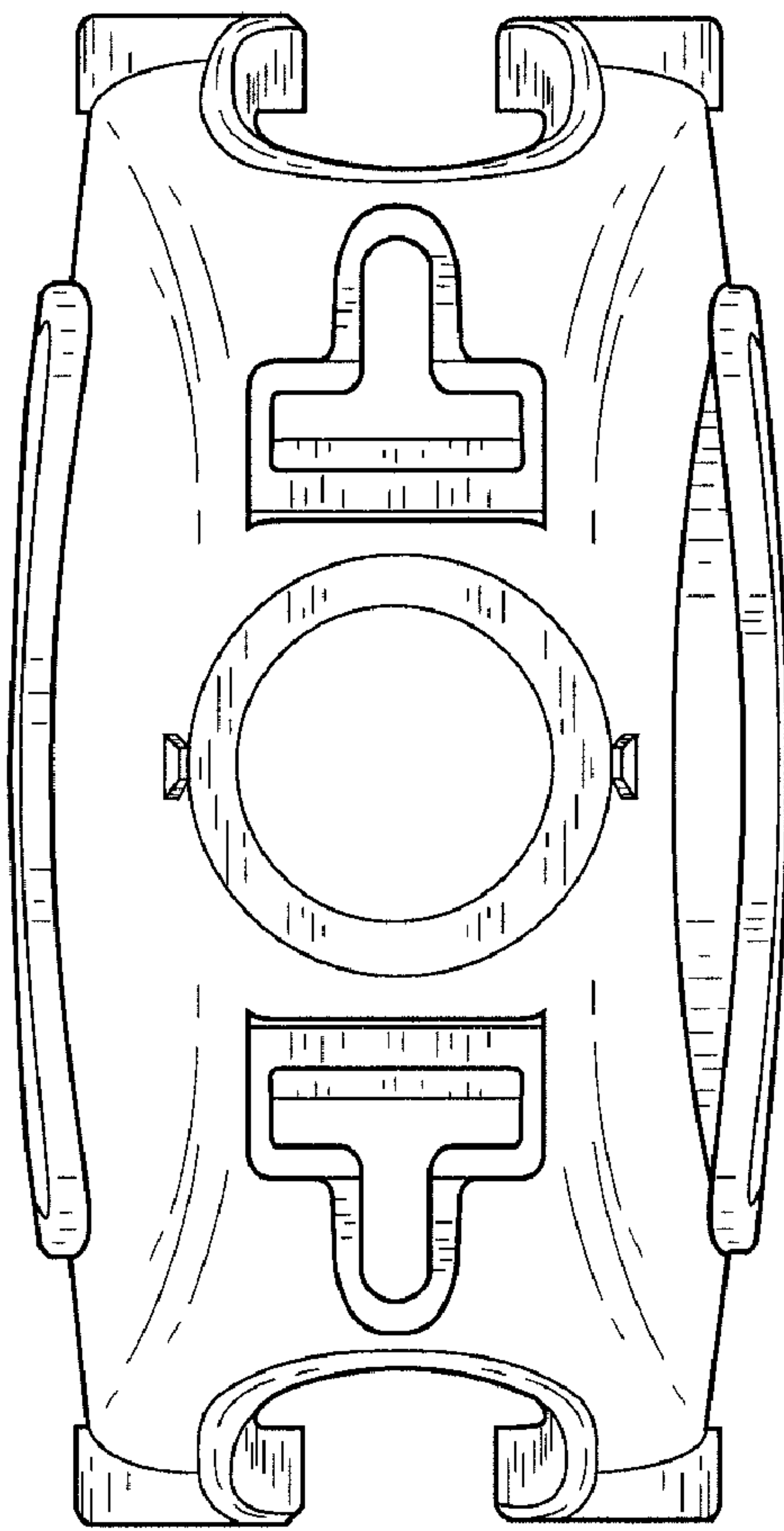


FIG. 6