



US00D631216S

(12) **United States Design Patent**
Crevling et al.

(10) **Patent No.:** **US D631,216 S**

(45) **Date of Patent:** **** Jan. 18, 2011**

(54) **VACUUM CLEANER**

(75) Inventors: **Robert L. Crevling**, Cogan Station, PA (US); **Kevin D. Fry**, S. Williamsport, PA (US); **John Griffin**, Phoenix, AZ (US)

(73) Assignee: **Shop Vac Corporation**, Williamsport, PA (US)

(**) Term: **14 Years**

(21) Appl. No.: **29/345,089**

(22) Filed: **Oct. 9, 2009**

(51) **LOC (9) Cl.** **15-05**

(52) **U.S. Cl.** **D32/31**

(58) **Field of Classification Search** D32/21, D32/23, 31; 15/327.1, 327.2, 327.4, 327.5, 15/327.7, 320-321, 323, 301, 312.1, 314, 15/353, 412, 347; 220/23.83, 23.6
See application file for complete search history.

(56) **References Cited**

U.S. PATENT DOCUMENTS

D446,892 S *	8/2001	Griffin	D32/23
D479,372 S *	9/2003	Griffin	D32/23
D528,255 S *	9/2006	Griffin et al.	D32/21
D587,414 S *	2/2009	Griffin et al.	D32/31
D588,761 S *	3/2009	Griffin	D32/31

D591,467 S *	4/2009	Griffin et al.	D32/23
D599,968 S *	9/2009	Crevling et al.	D32/23
2006/0191099 A1 *	8/2006	Fry et al.	15/353

* cited by examiner

Primary Examiner—Ruth McInroy

(74) *Attorney, Agent, or Firm*—Marshall, Gerstein & Borun LLP; Richard M. LaBarge; Robert M. Gerstein

(57) **CLAIM**

The ornamental design for a vacuum cleaner, as shown and described.

DESCRIPTION

FIG. 1 is a top, front and left side perspective view of a vacuum cleaner showing our new design;

FIG. 2 is a front elevation view thereof;

FIG. 3 is a left side elevation view thereof;

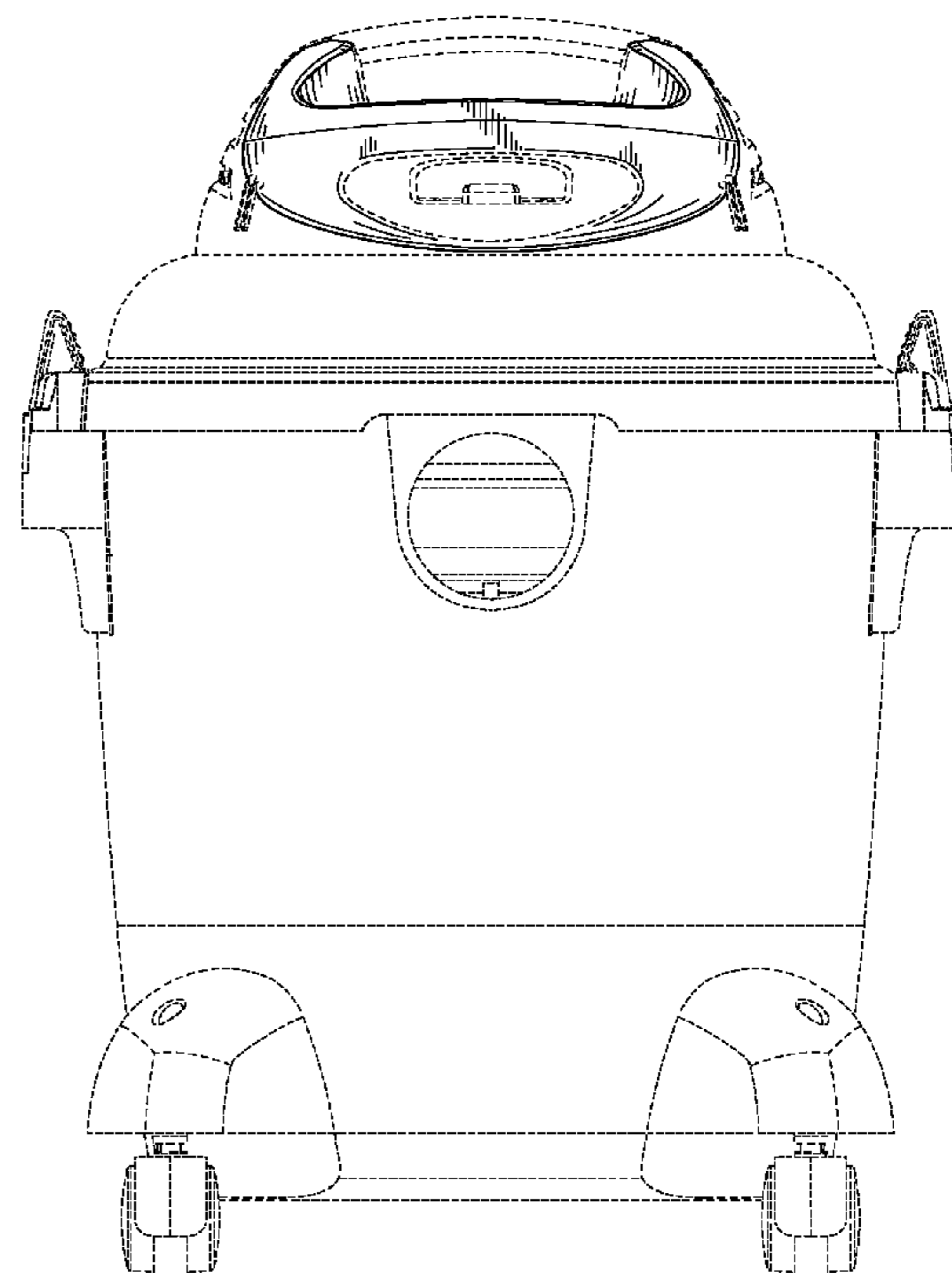
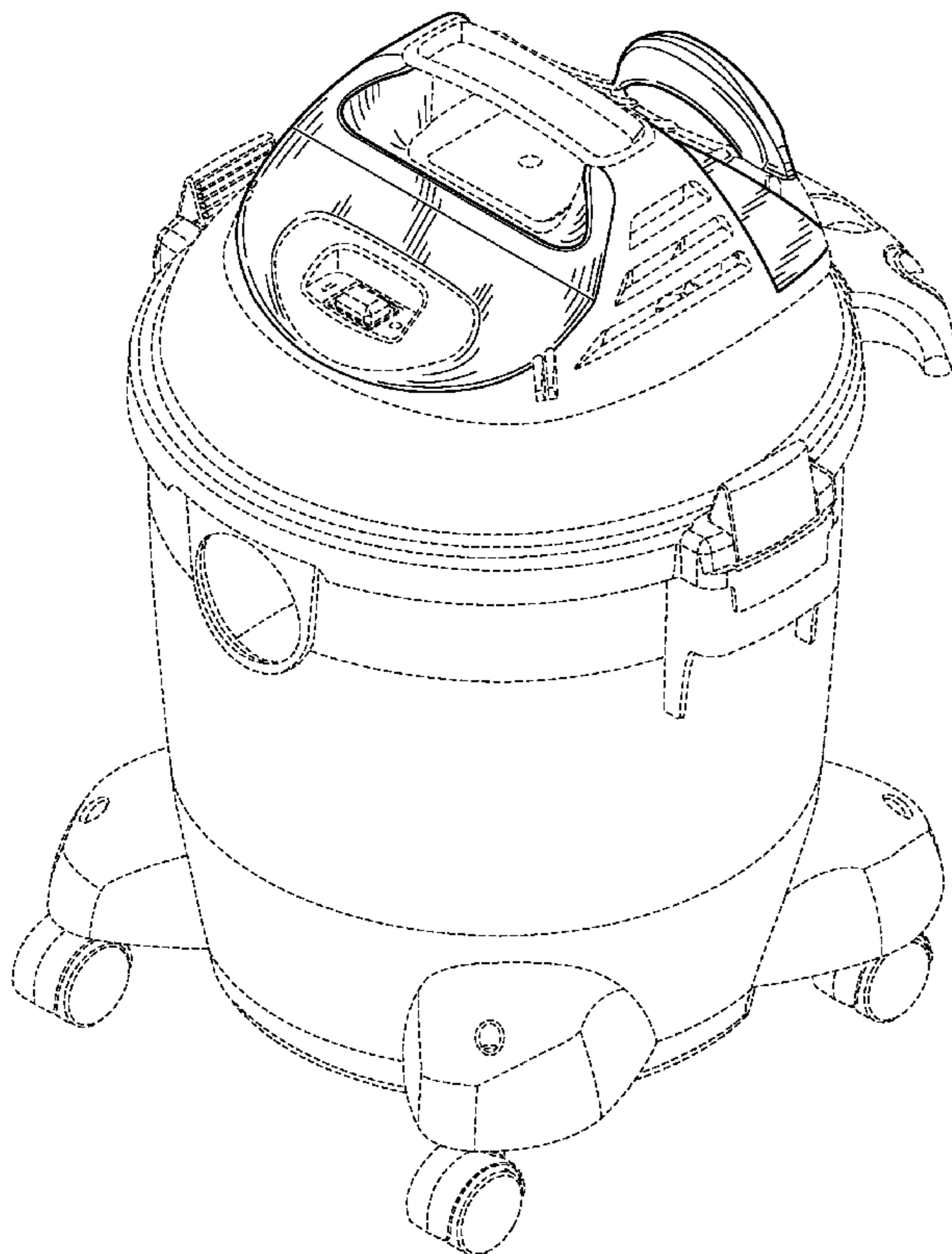
FIG. 4 is a rear elevation view thereof;

FIG. 5 is a right side elevation view thereof; and,

FIG. 6 is a top plan view thereof.

The broken line showing portions of the vacuum cleaner is for the purpose of illustrating portions of the vacuum cleaner and forms no part of the claimed design.

1 Claim, 6 Drawing Sheets



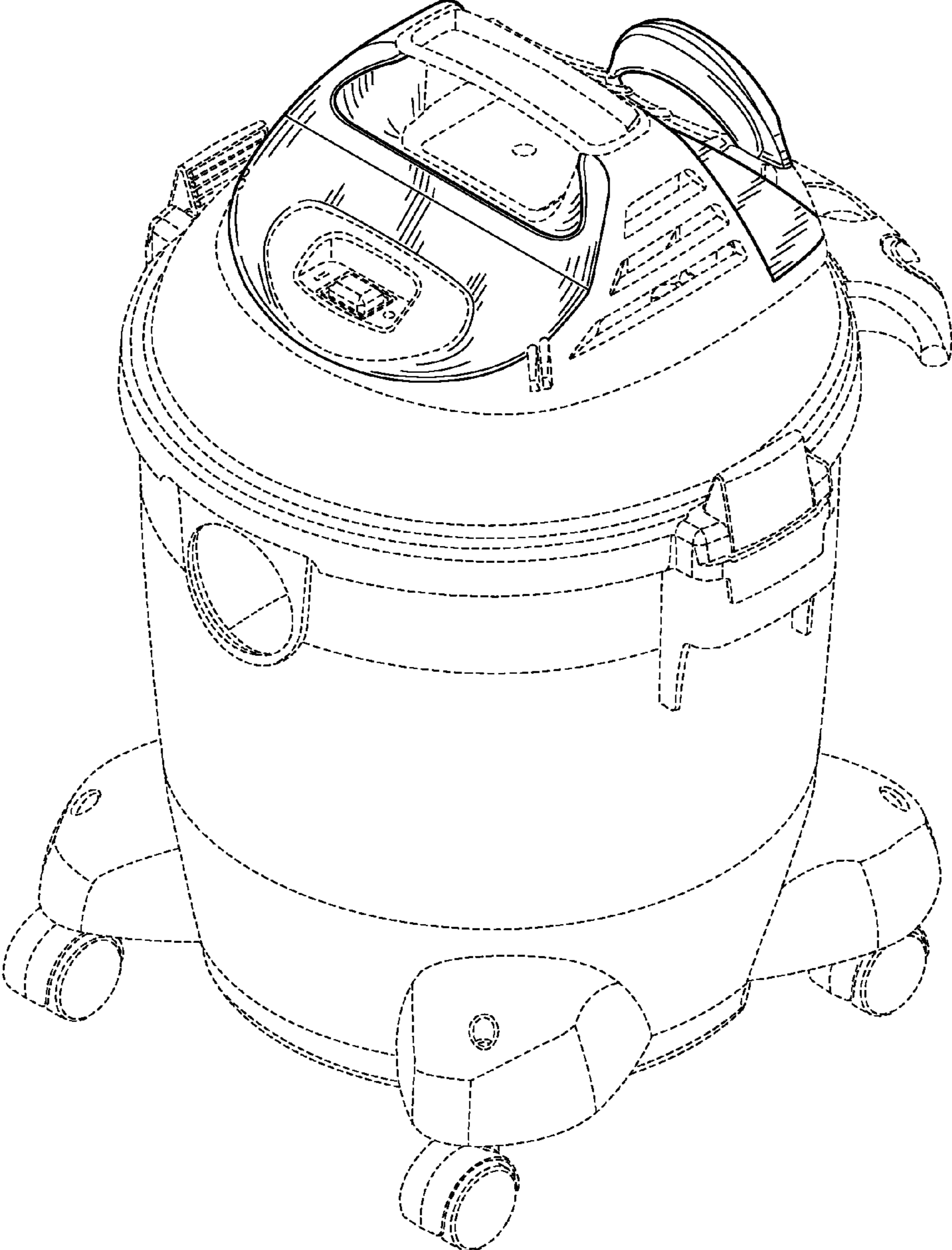


FIG. 1

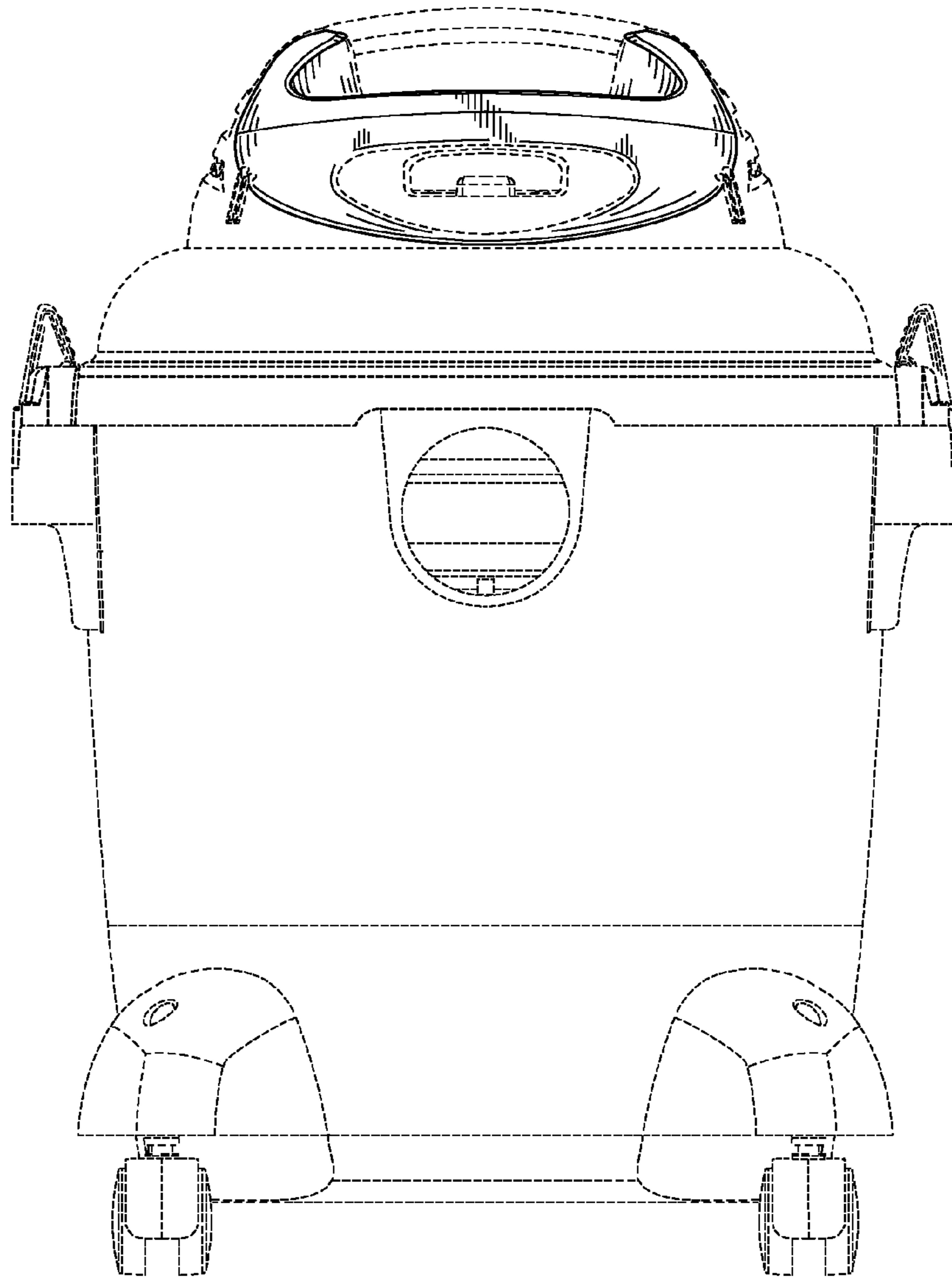


FIG. 2

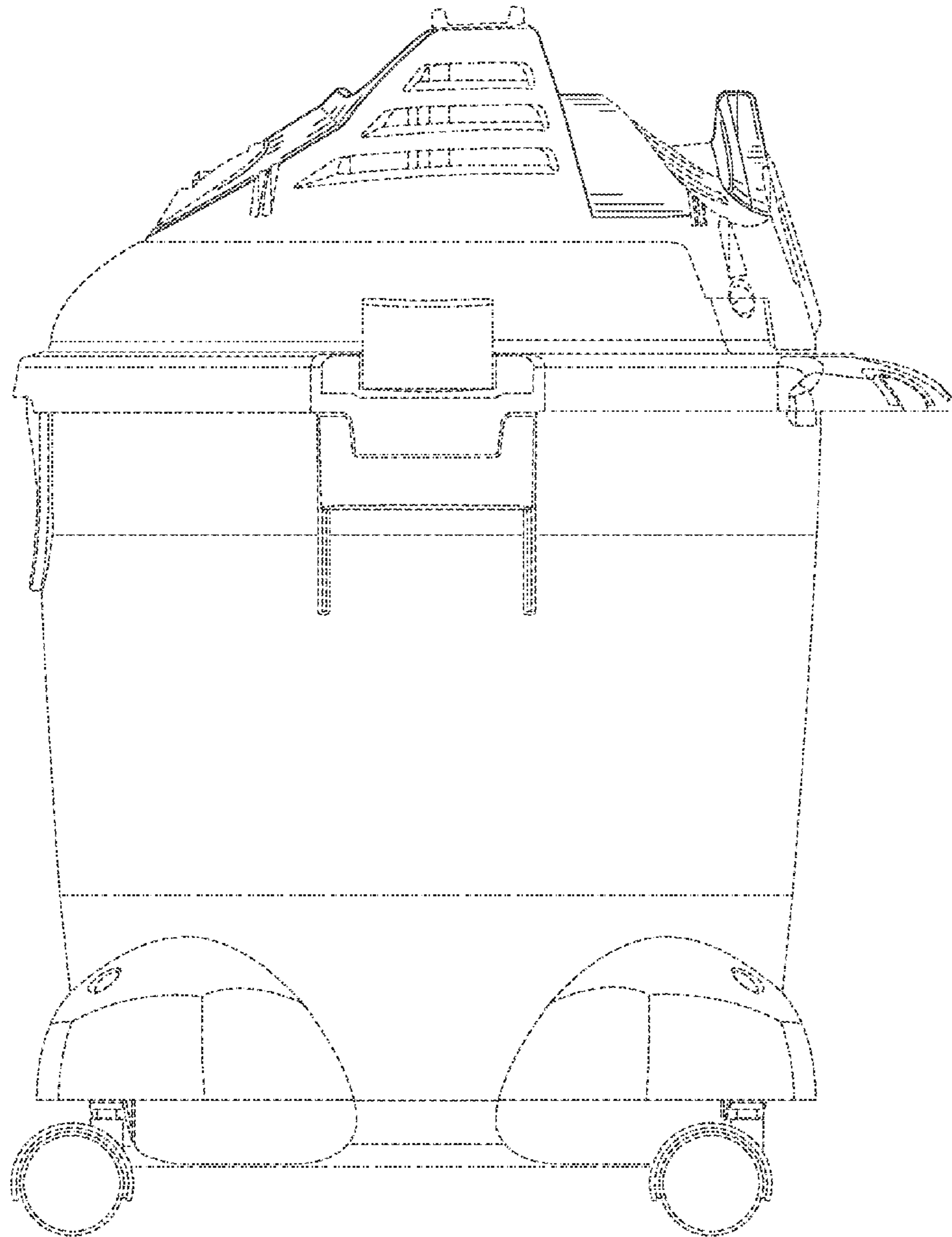


FIG. 3

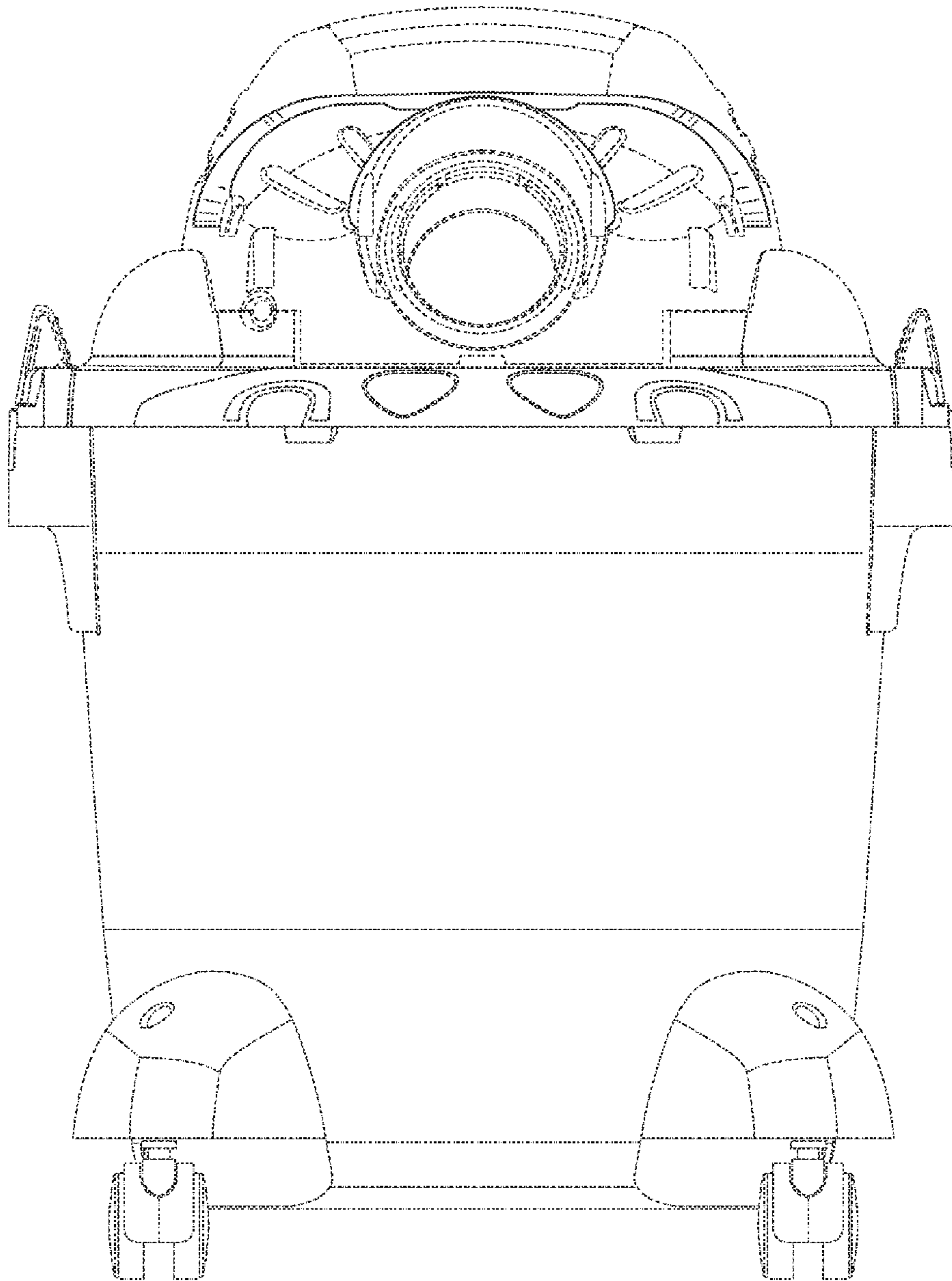


FIG. 4

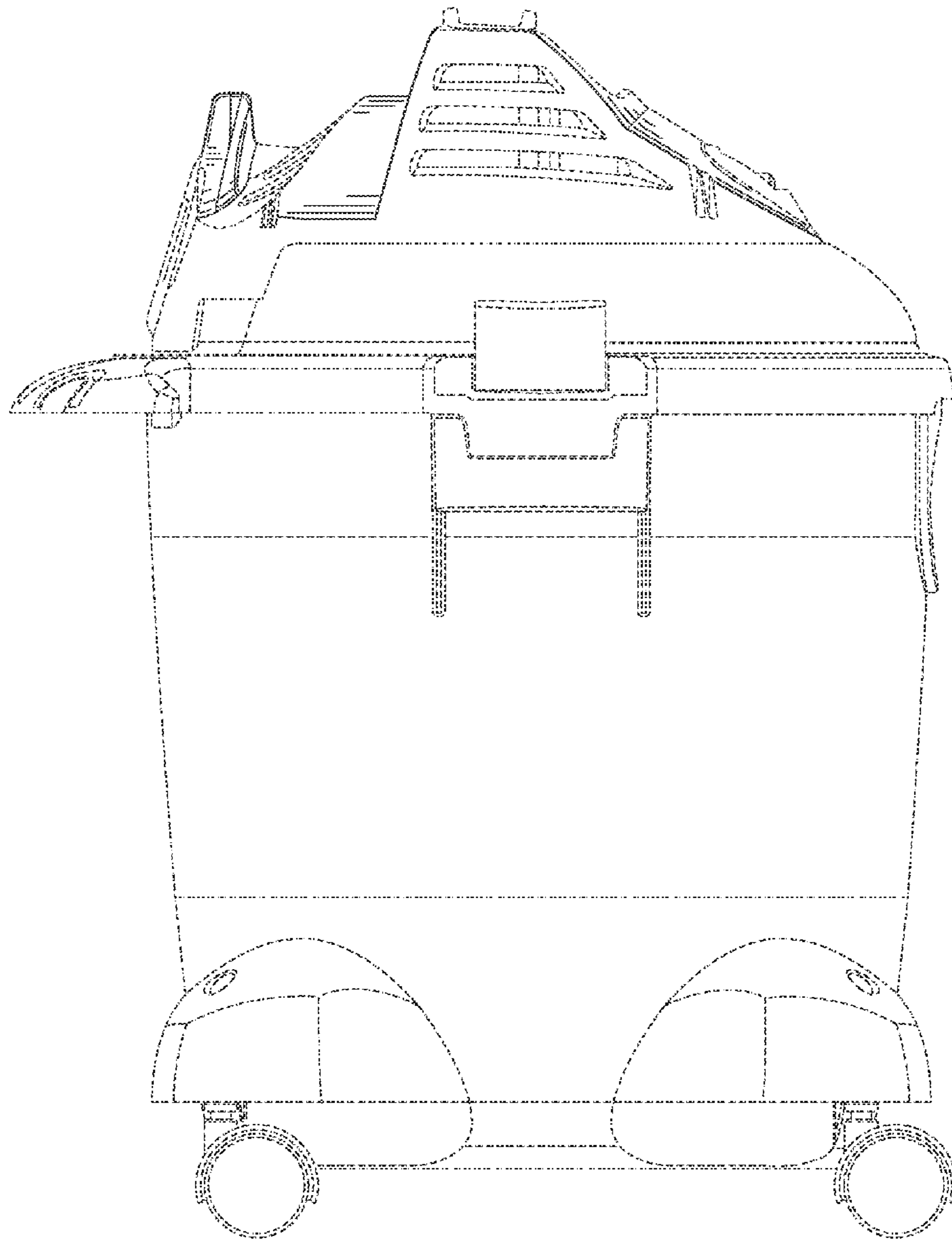


FIG. 5

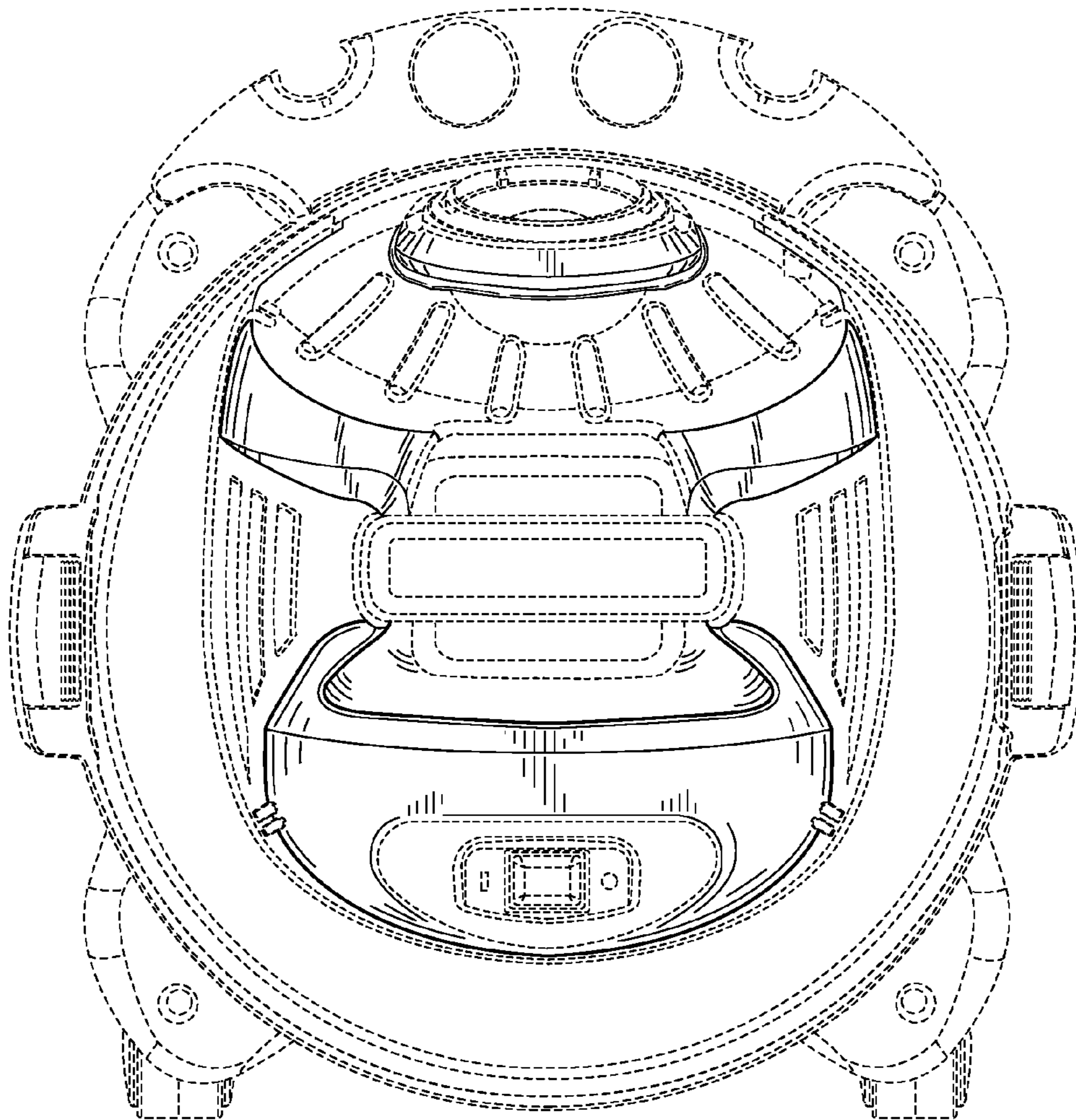


FIG. 6