



US00D631214S

(12) **United States Design Patent**
Ying

(10) **Patent No.:** **US D631,214 S**

(45) **Date of Patent:** **** Jan. 18, 2011**

(54) **DIAPER RECEPTACLE CARTRIDGE**

(76) Inventor: **Wu Mei Ying**, No. 12 Tianli Road,
Xiaolan Town, Zhongshan, Guangdong
(CN)

(**) Term: **14 Years**

(21) Appl. No.: **29/355,833**

(22) Filed: **Feb. 15, 2010**

(51) **LOC (9) Cl.** **09-09**

(52) **U.S. Cl.** **D32/6**

(58) **Field of Classification Search** D34/1,
D34/5, 6, 10, 11; 248/95, 97, 99, 100, 101
See application file for complete search history.

(56) **References Cited**

U.S. PATENT DOCUMENTS

1,480,298	A *	1/1924	Pearson	160/369
4,739,890	A *	4/1988	Cooke	215/222
D323,296	S *	1/1992	Schoenthaler	D9/456
5,556,063	A *	9/1996	Boyd	248/99
5,641,138	A *	6/1997	Cronk et al.	248/99
5,740,923	A *	4/1998	Mayhew	211/10
6,209,596	B1 *	4/2001	Wong	141/391
D485,404	S *	1/2004	Del Prato	D34/6
D537,598	S *	2/2007	Moore	D34/5

* cited by examiner

Primary Examiner—Cynthia E Ramirez

(74) *Attorney, Agent, or Firm*—Brooks, Cameron & Huebsch, PLLC

(57) **CLAIM**

The ornamental design for a diaper receptacle cartridge, as shown and described.

DESCRIPTION

FIG. 1 is a top perspective view of a diaper receptacle cartridge shown with the eight stations in an open configuration;

FIG. 2 is a top perspective view thereof shown with the stations in a closed configuration;

FIG. 3 is a bottom perspective view thereof with the stations shown in an open configuration;

FIG. 4 is a bottom perspective view shown with the stations shown in a closed configuration;

FIG. 5 is a bottom plan view thereof shown with the stations in an open configuration;

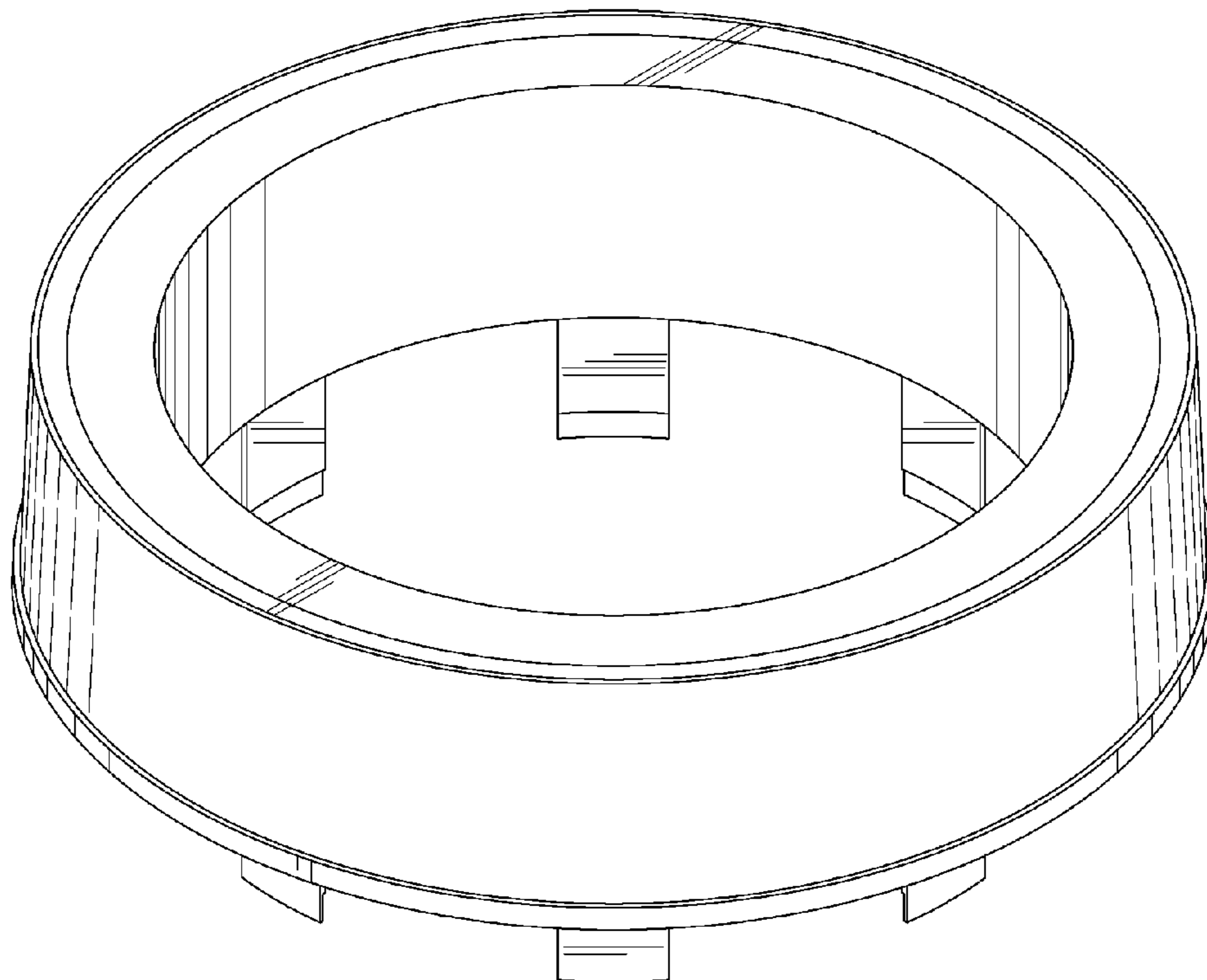
FIG. 6 is a bottom plan view thereof shown with the stations in a closed configuration;

FIG. 7 is a top plan view thereof;

FIG. 8 is a side elevational view thereof shown with the stations in an open configuration; and,

FIG. 9 is a side elevational view thereof shown with the stations in a closed configuration.

1 Claim, 9 Drawing Sheets



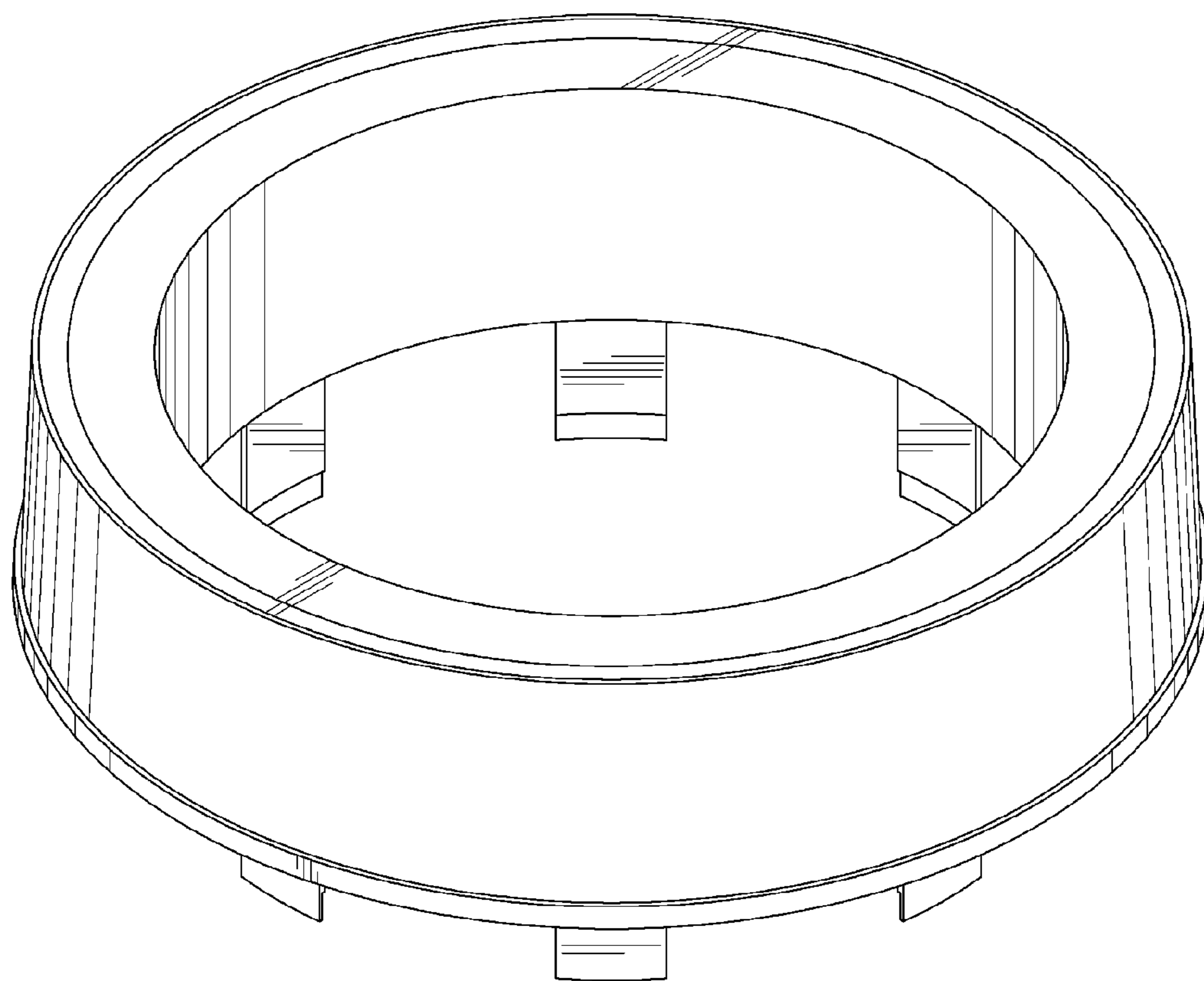


Fig. 1

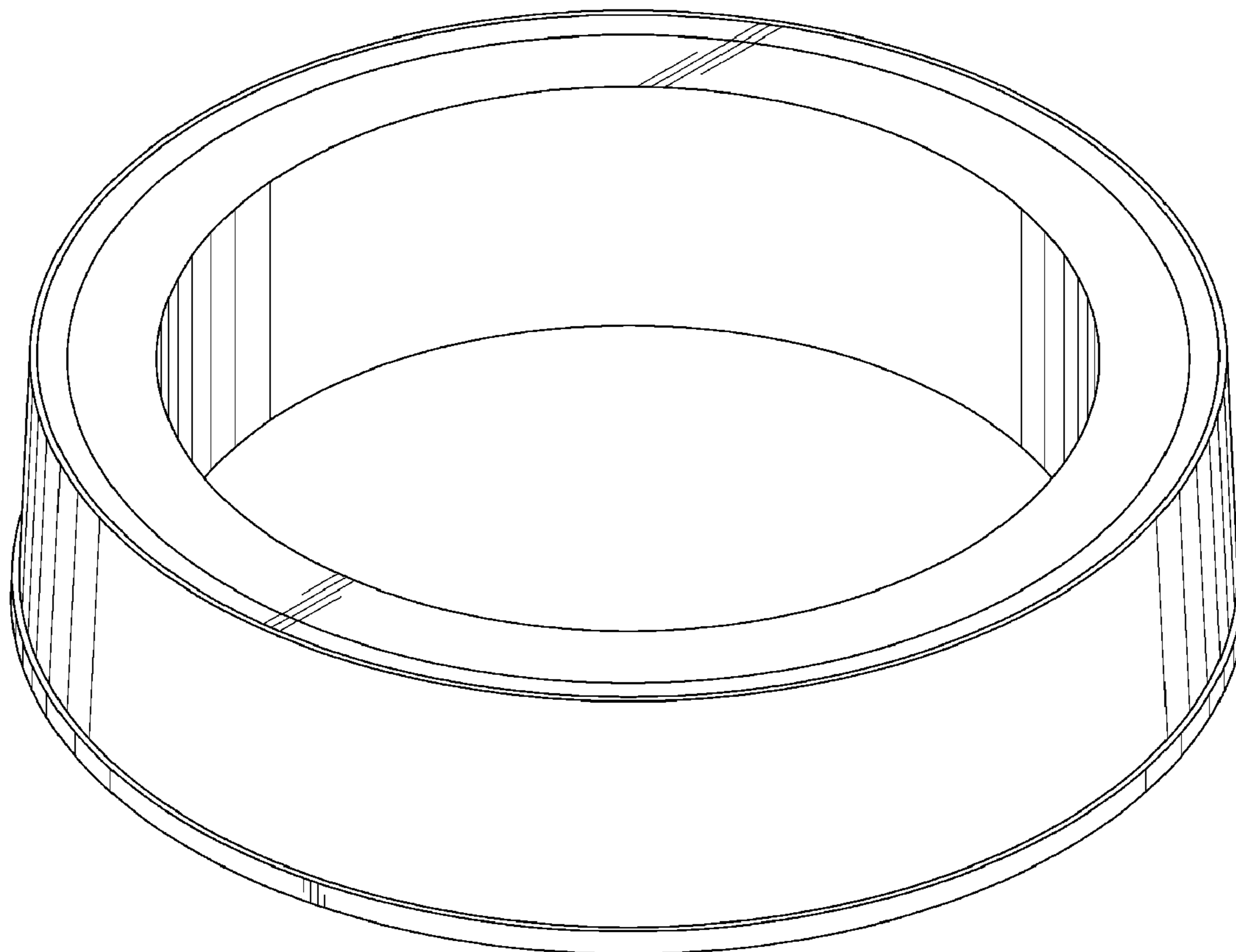


Fig. 2

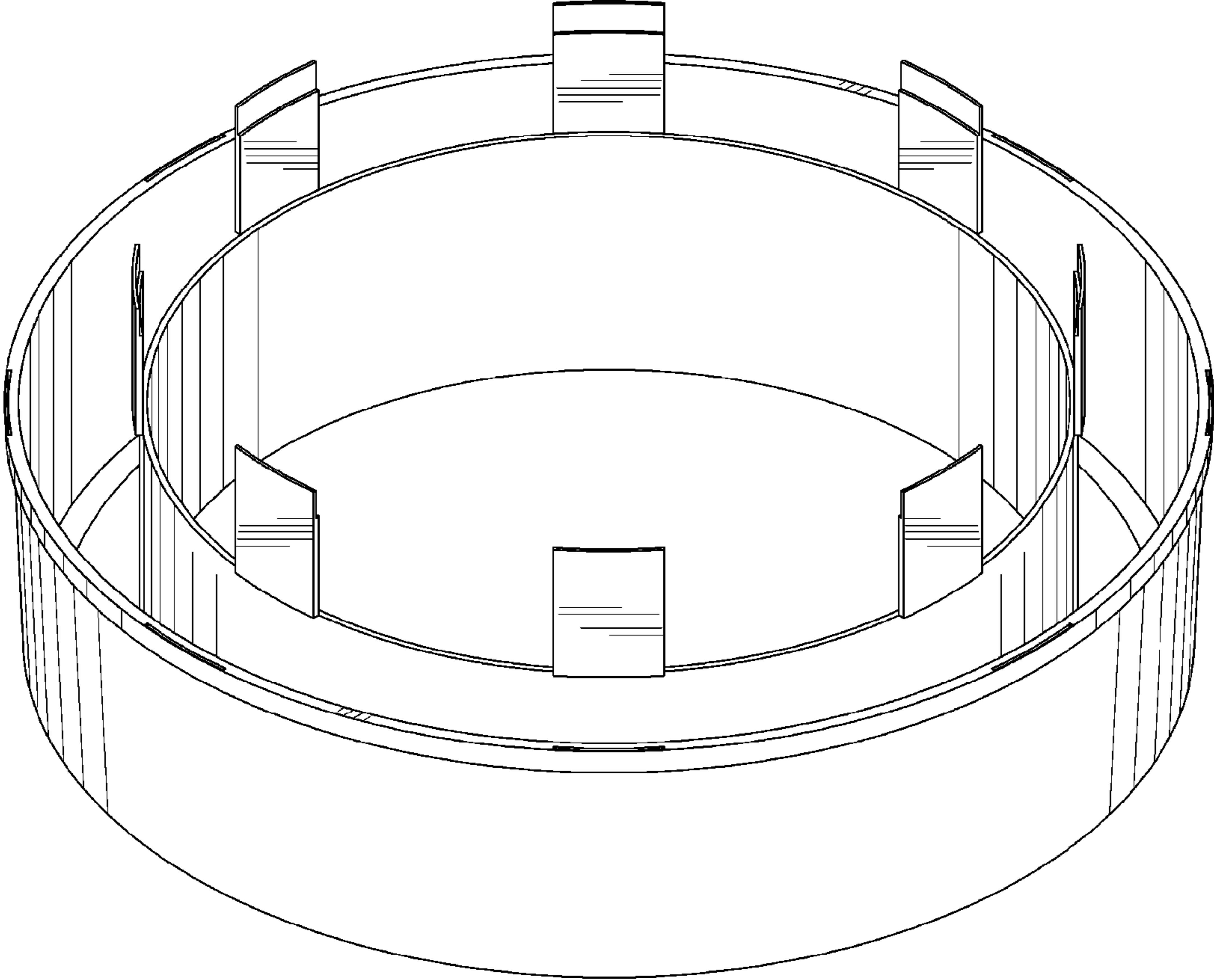


Fig. 3

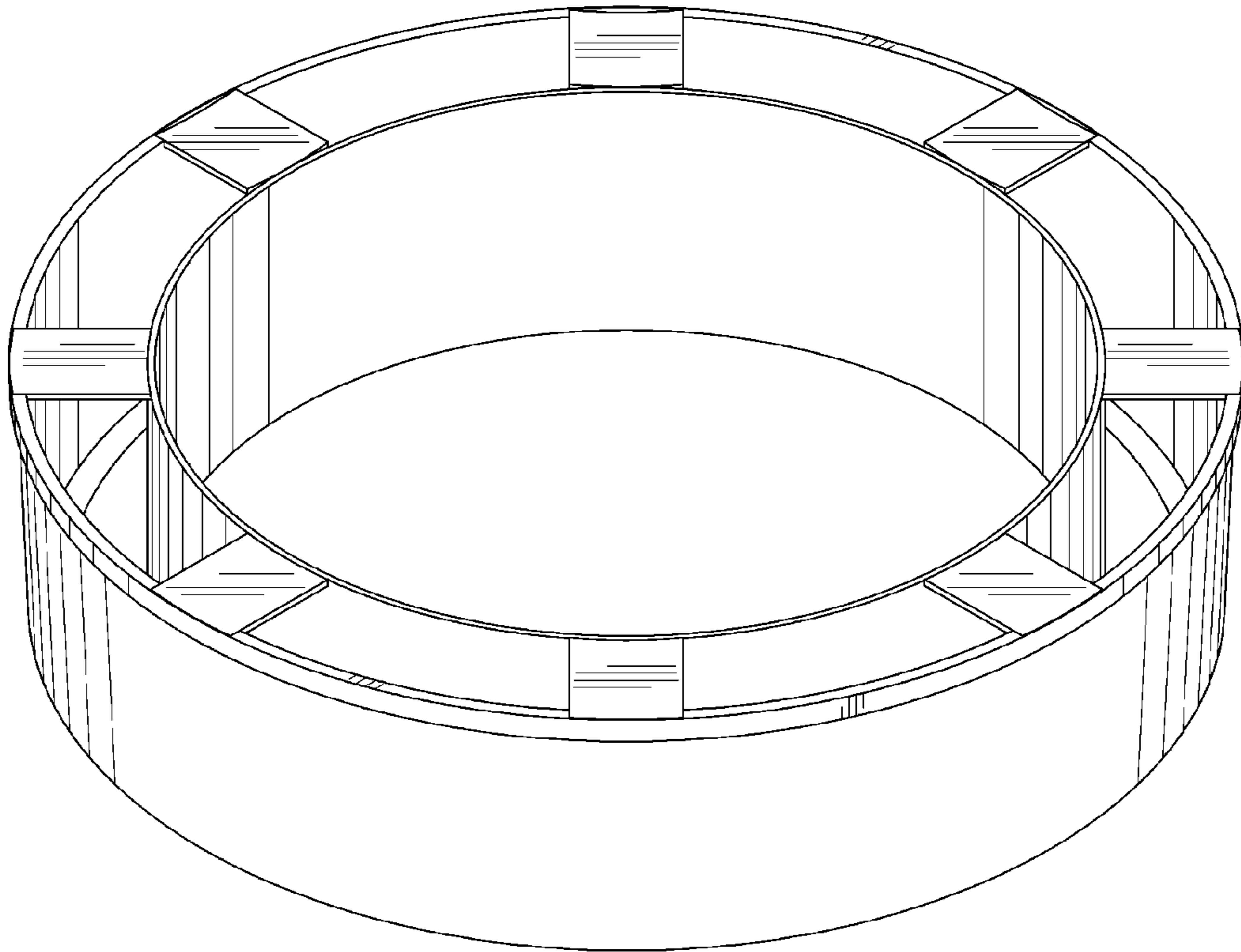


Fig. 4

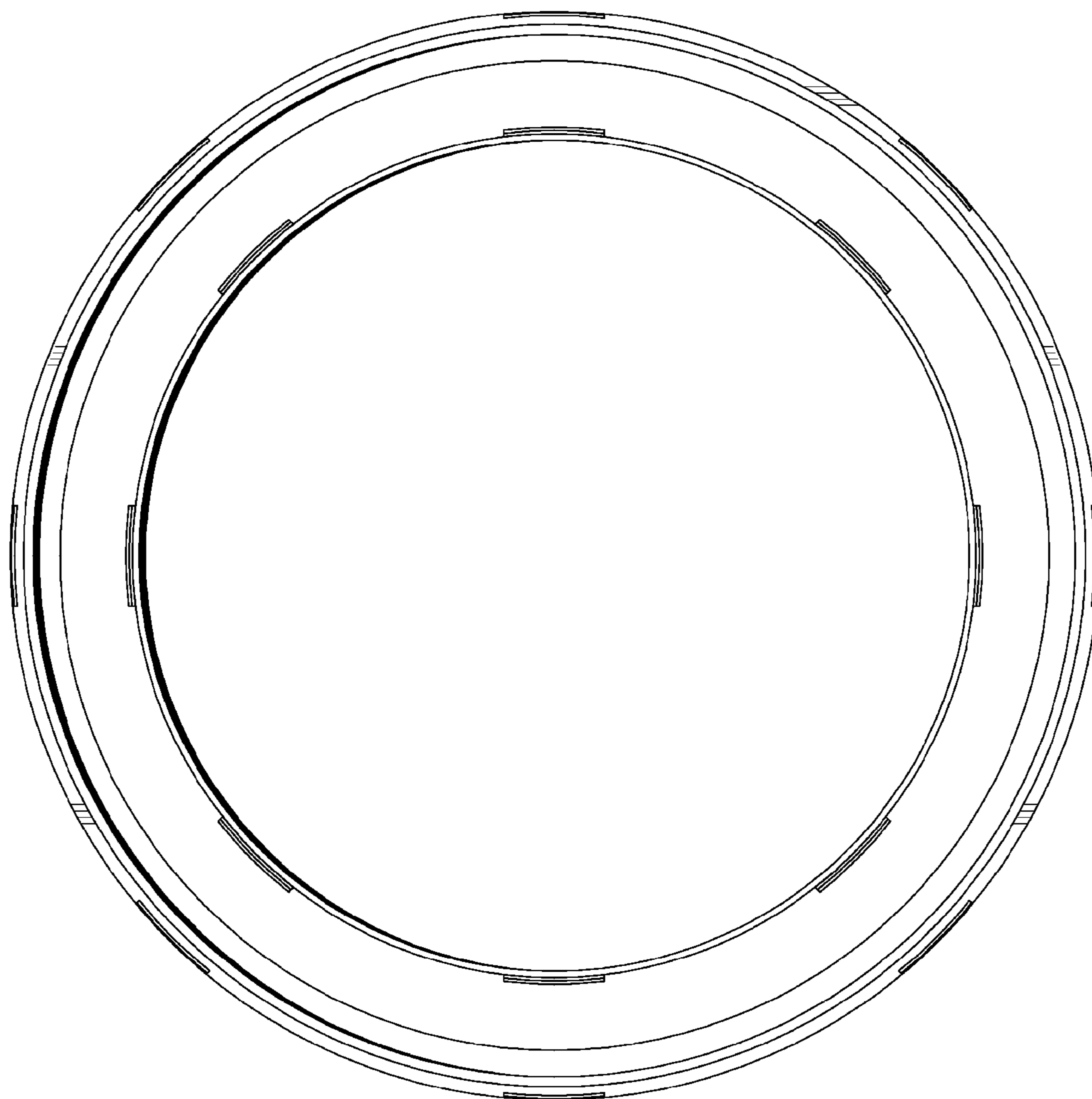


Fig. 5

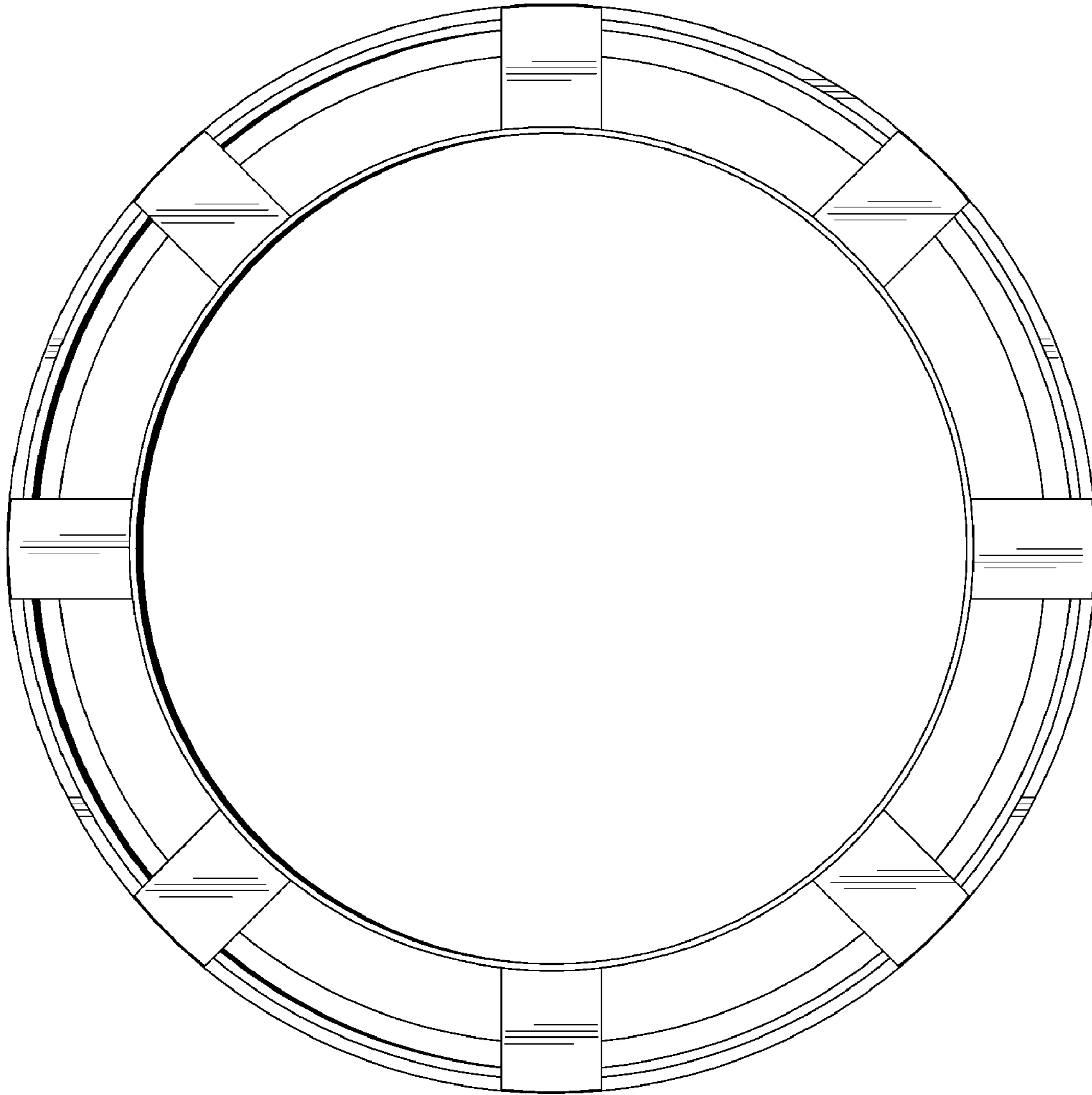


Fig. 6

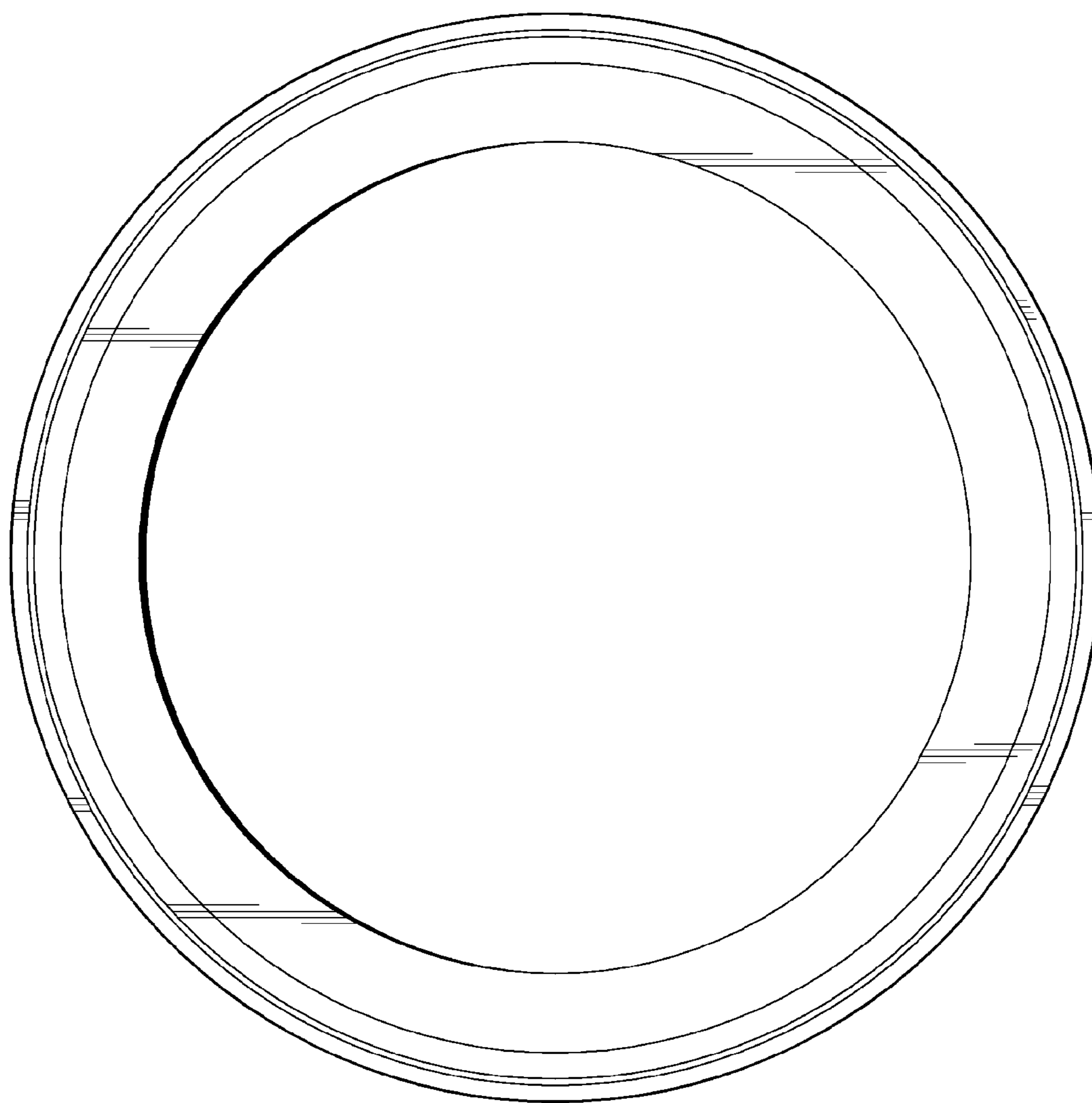


Fig. 7

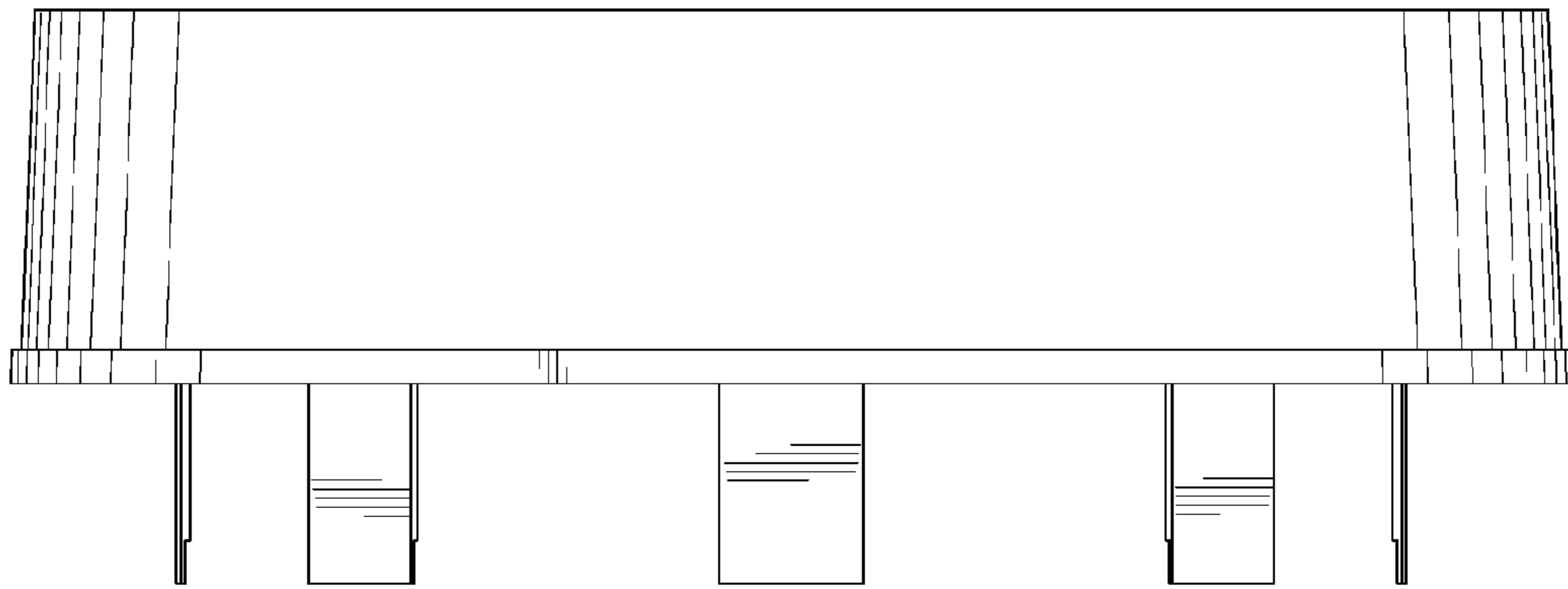


Fig. 8



Fig. 9