



US00D631206S

(12) **United States Design Patent**  
**Parlee**

(10) **Patent No.:** **US D631,206 S**

(45) **Date of Patent:** **\*\* Jan. 18, 2011**

(54) **HEAT PROTECTION GLOVE FOR HAND-GRIPPING IMPLEMENTS**

(76) Inventor: **Jordan Michael Barry Parlee**, 8906 Port Republic Rd., Port Republic, VA (US) 24471

(\*\*) Term: **14 Years**

(21) Appl. No.: **29/370,154**

(22) Filed: **Jun. 14, 2010**

(51) **LOC (9) Cl.** ..... **06-13**

(52) **U.S. Cl.** ..... **D29/118**

(58) **Field of Classification Search** ..... D2/610, D2/612, 613, 614, 615, 616, 617, 618, 619, D2/620, 621, 622, 623; D7/692; D24/190; D29/113, 114, 117.1, 117.2, 118, 119, 120.1, D29/122, 123; 2/16, 17, 18, 20, 21, 59, 158, 2/159, 160, 161.1, 162, 163, 170, 455, 917, 2/910; 294/7, 8; 602/21, 22, 80

See application file for complete search history.

(56) **References Cited**

**U.S. PATENT DOCUMENTS**

573,215	A *	12/1896	Gleim	2/17
653,761	A *	7/1900	Wilson	2/59
830,016	A *	9/1906	Sims	294/131
1,096,204	A *	5/1914	Taggart	294/131
1,214,032	A *	1/1917	Heineck	296/78.1
1,237,317	A *	8/1917	Fagerstrom	294/8
1,284,536	A *	11/1918	Yaeger	2/59
1,330,406	A *	2/1920	Stricklin	2/17
1,517,984	A *	12/1924	Harvey	2/59
2,352,733	A *	7/1944	Ottmer	72/483
2,397,665	A *	4/1946	Hindle et al.	294/8
2,436,507	A *	2/1948	Ellwood	2/17
2,497,749	A *	2/1950	Wagner	2/16
2,755,477	A *	7/1956	Hubbman	2/17
4,089,379	A *	5/1978	Crownover	172/370

(Continued)

*Primary Examiner*—Elizabeth A Albert  
*Assistant Examiner*—Karen E Eldridge Powers

(74) *Attorney, Agent, or Firm*—Daniel L. Fitch; Wharton Aldhizer & Weaver, PLC

(57) **CLAIM**

The ornamental design for a heat protection glove for hand-gripping implements, as shown and described.

**DESCRIPTION**

FIG. 1 is a perspective view of a heat protection glove for hand-gripping implements showing my new design.

FIG. 2 is a left side elevation view thereof;

FIG. 3 is a right side elevation view thereof;

FIG. 4 is a top-plan view thereof;

FIG. 5 is a bottom-plan view thereof;

FIG. 6 is a front elevation view thereof; and

FIG. 7 is a rear elevation view thereof; and,

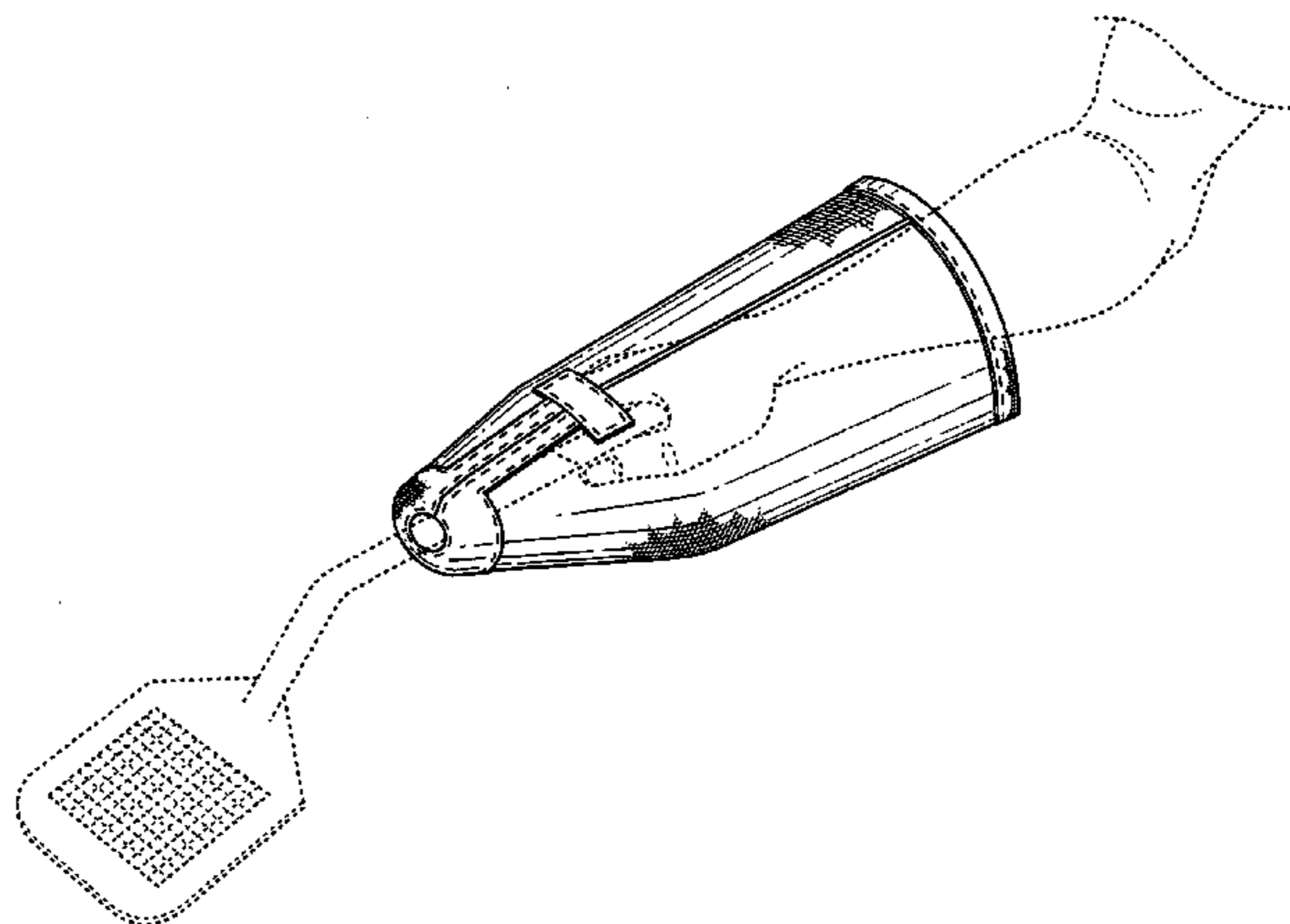
FIG. 8 is a top-plan view thereof with the hook and loop fastener for opening and closing the front end of the heat protection glove shown in an open position for accepting implements.

The short-segment broken lines showing a person's arm and hand holding a spatula illustrate the environment in which the claimed design is used and form no part of the claim. The longer-segmented broken lines shown on the surfaces of the claimed design illustrate features of the article to which the design is applied that form no part of the claim.

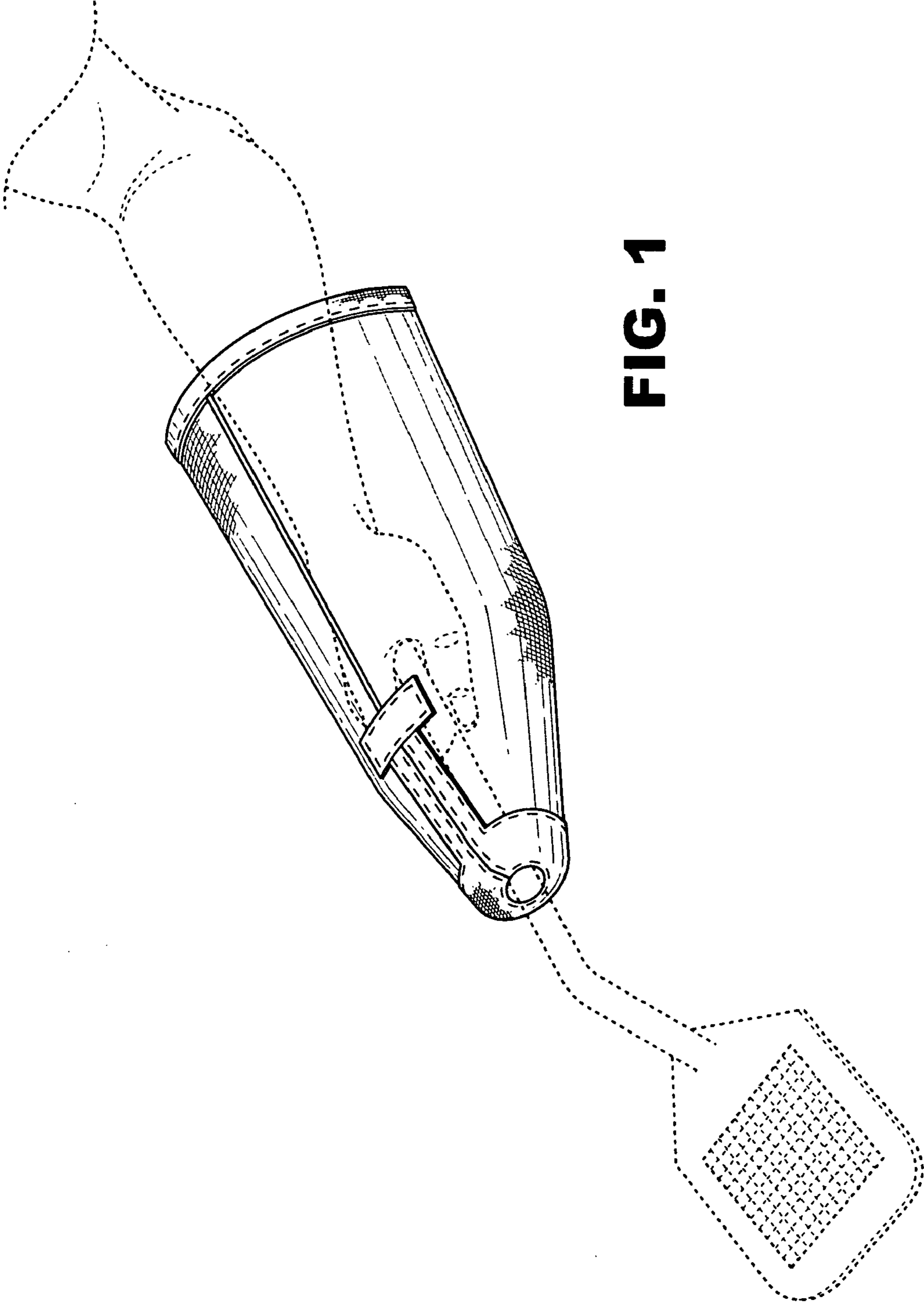
The crosshatched pattern, although shown intermittently, is meant to represent fabric, and is understood to be distributed uniformly over the surfaces of the claimed design on which the crosshatching resides. The stippling shown in the drawings represents shading.

The claimed heat protection glove for hand gripping implements is used for protecting the hand and arm of a person while hand-gripping an implement near a barbeque, a fire place, a stove or other heat source.

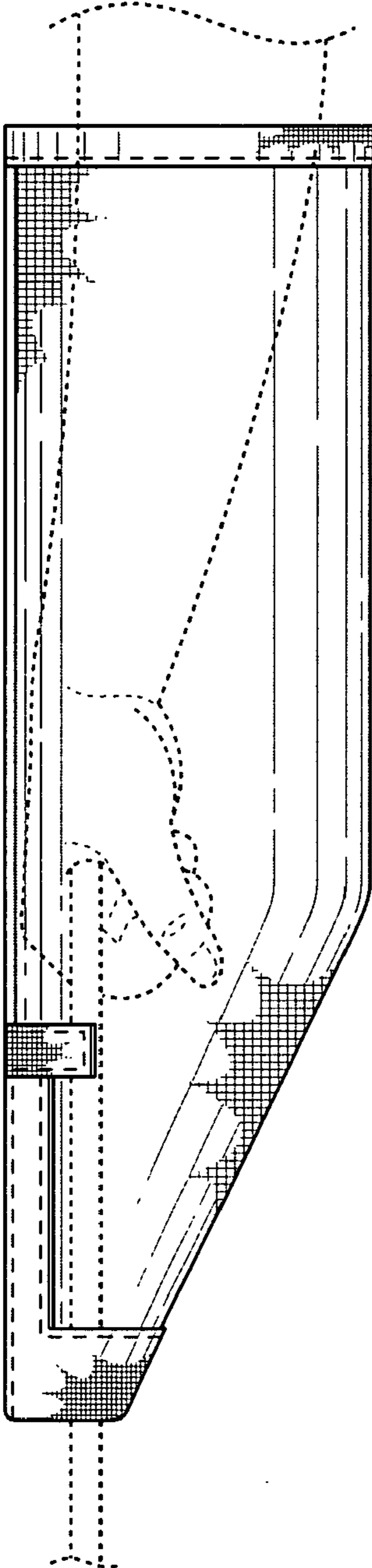
**1 Claim, 5 Drawing Sheets**



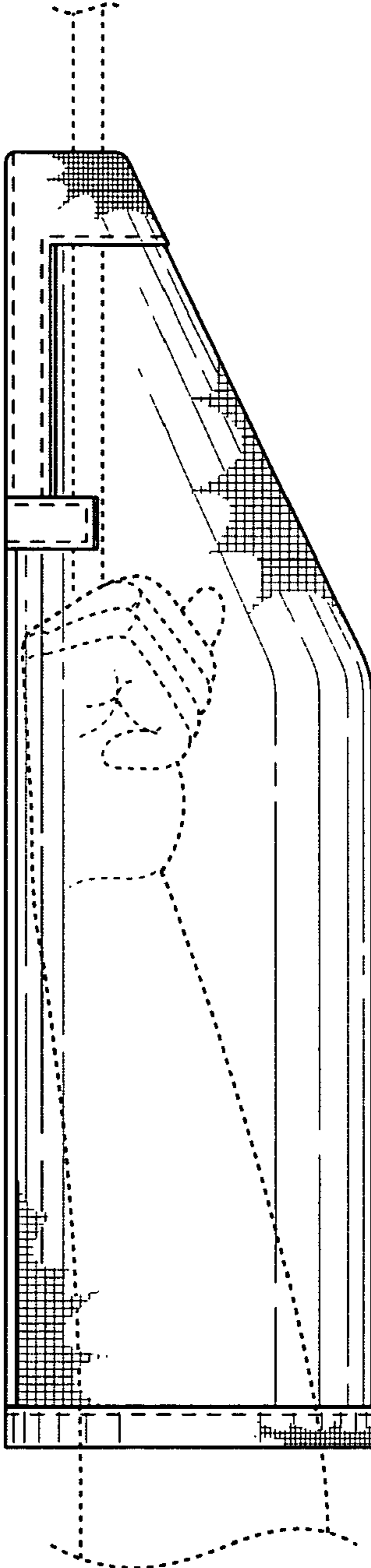




**FIG. 1**

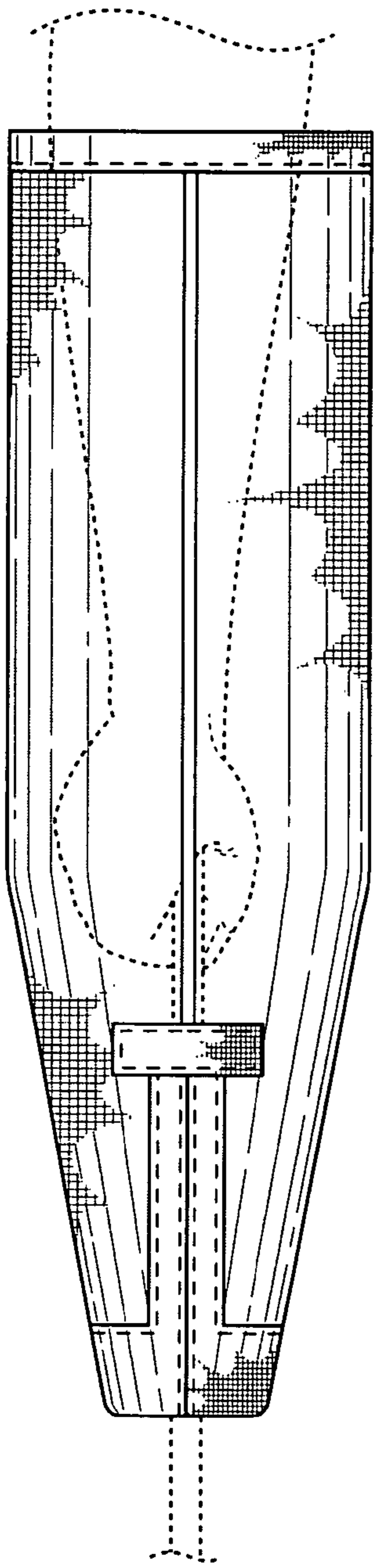


**FIG. 2**

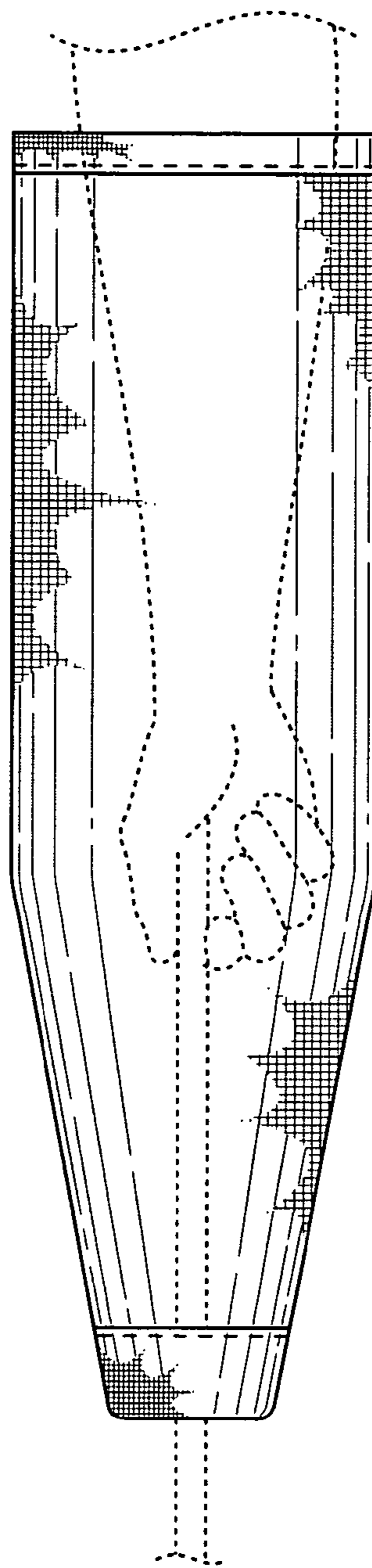


**FIG. 3**

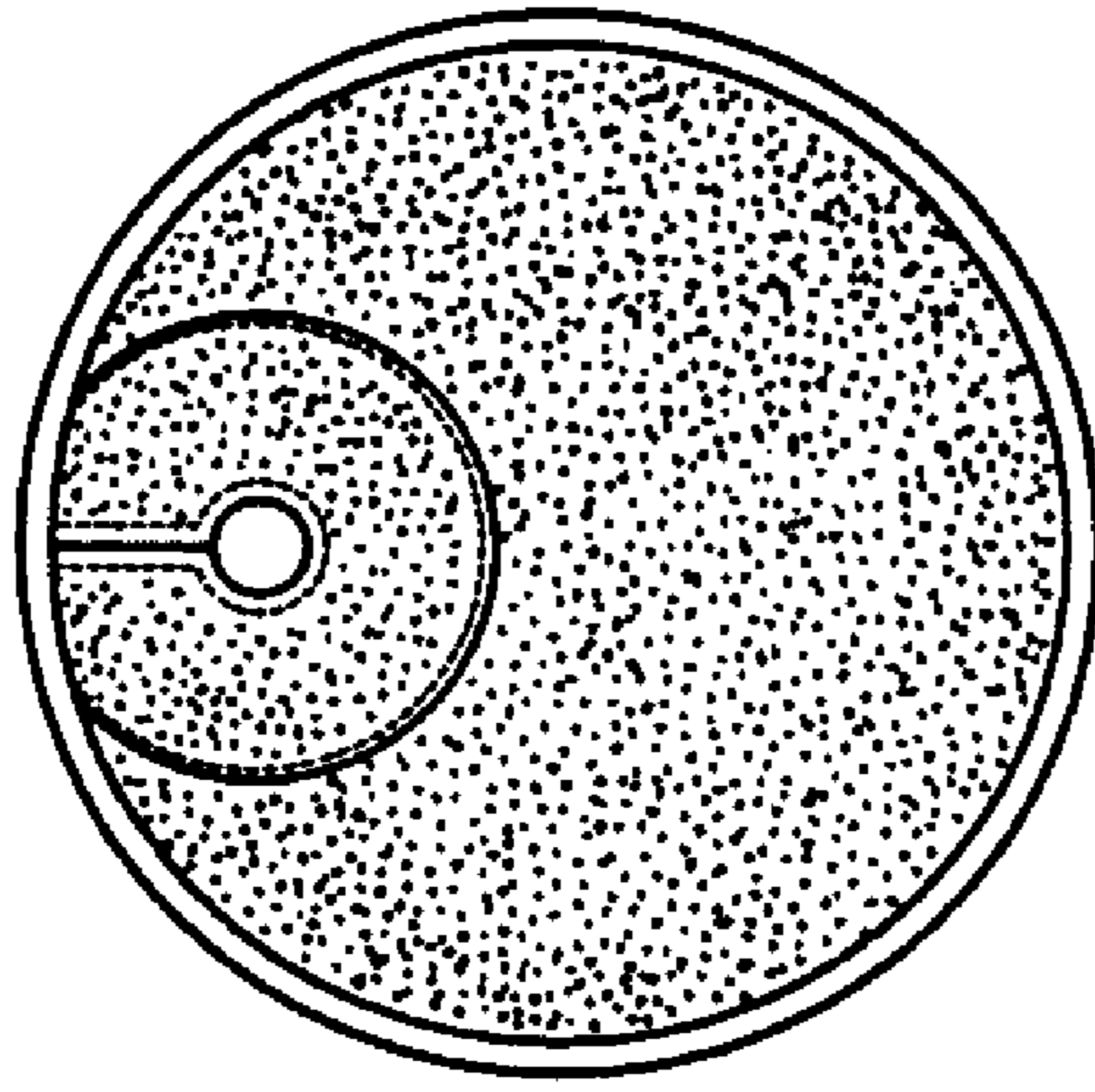




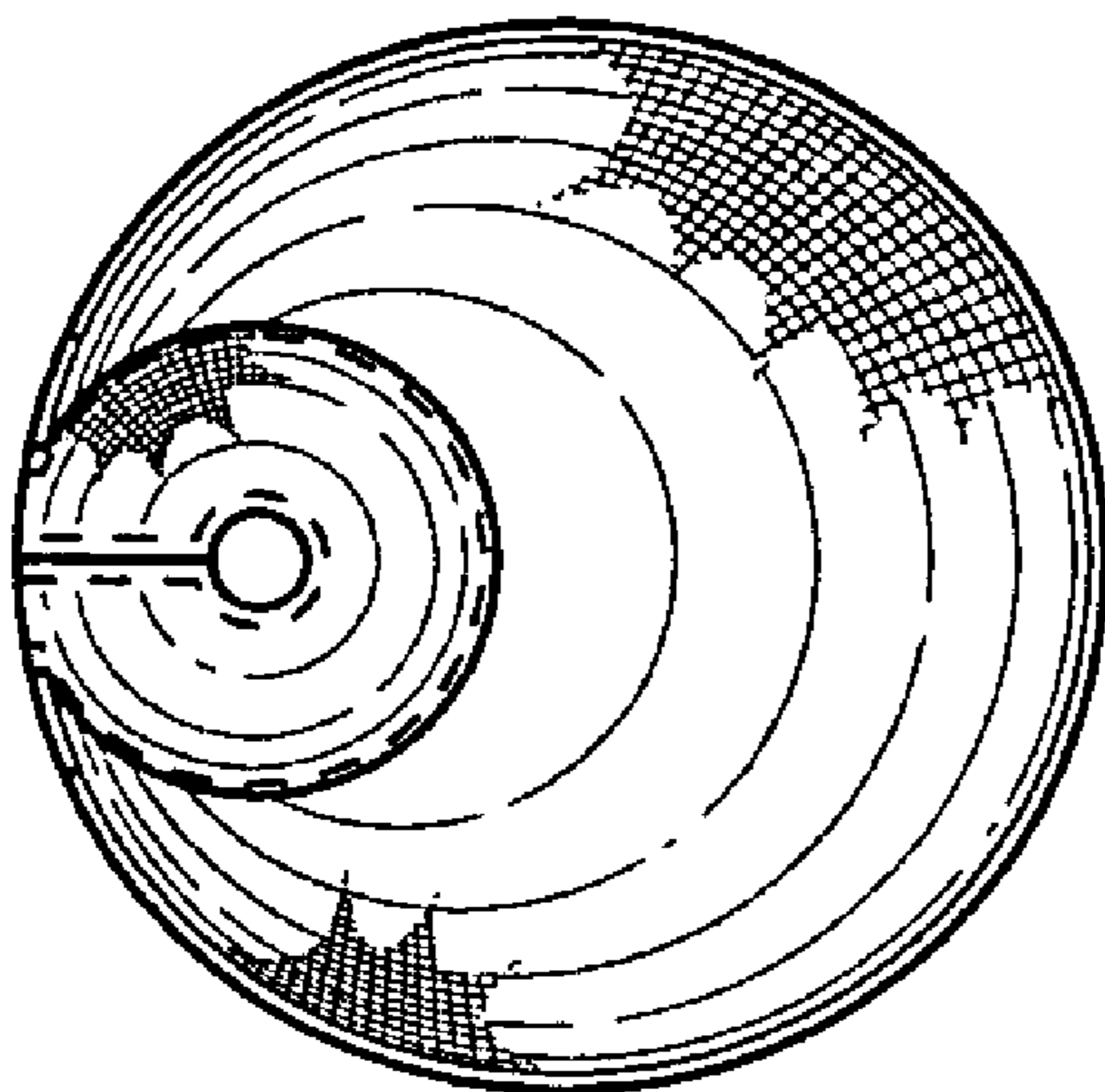
**FIG. 4**



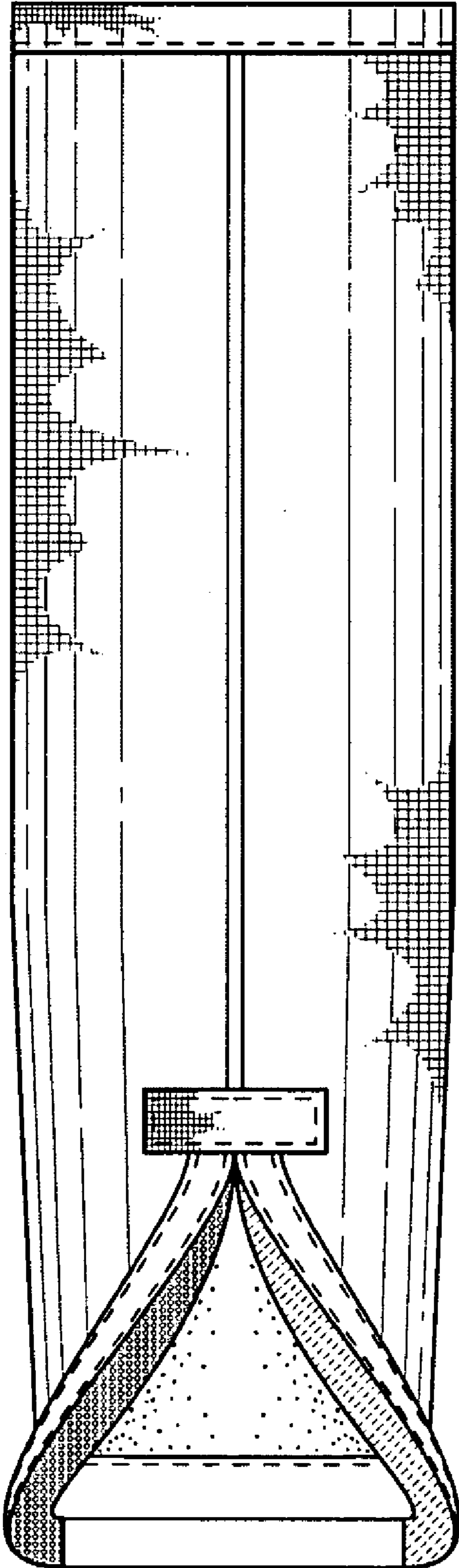
**FIG. 5**



**FIG. 6**



**FIG. 7**



**FIG. 8**