



US00D631203S

(12) **United States Design Patent**
Hall

(10) **Patent No.:** **US D631,203 S**

(45) **Date of Patent:** **** Jan. 18, 2011**

(54) **HAIR COLOR MIXING TRAY**

2007/0205129 A1* 9/2007 Kipry et al. 206/503
2008/0000800 A1* 1/2008 LaMarche et al. 206/564

(75) Inventor: **Jeffrey P. Hall**, Naples, FL (US)

* cited by examiner

(73) Assignee: **VexPro LLC**, Naples, FL (US)

Primary Examiner—Jennifer Rivard

(**) Term: **14 Years**

(74) *Attorney, Agent, or Firm*—Porter Wright Morris & Arthur LLP

(21) Appl. No.: **29/368,780**

(57) **CLAIM**

(22) Filed: **Aug. 30, 2010**

The ornamental design for a hair color mixing tray, as shown and described.

(51) **LOC (9) Cl.** **28-03**

(52) **U.S. Cl.** **D28/73; D7/553.6**

(58) **Field of Classification Search** D28/9,
D28/10, 73; 211/126.1, 126.14; D7/549,
D7/553.1–553.8, 555, 357; 206/581, 823,
206/557, 561–564, 81, 1.7–1.9
See application file for complete search history.

DESCRIPTION

FIG. 1 is a perspective view of a hair color mixing tray according to my new design;

FIG. 2 is a front view thereof;

FIG. 3 is a rear view thereof;

FIG. 4 is a left side view thereof;

FIG. 5 is a right side view thereof;

FIG. 6 is a top view thereof; and,

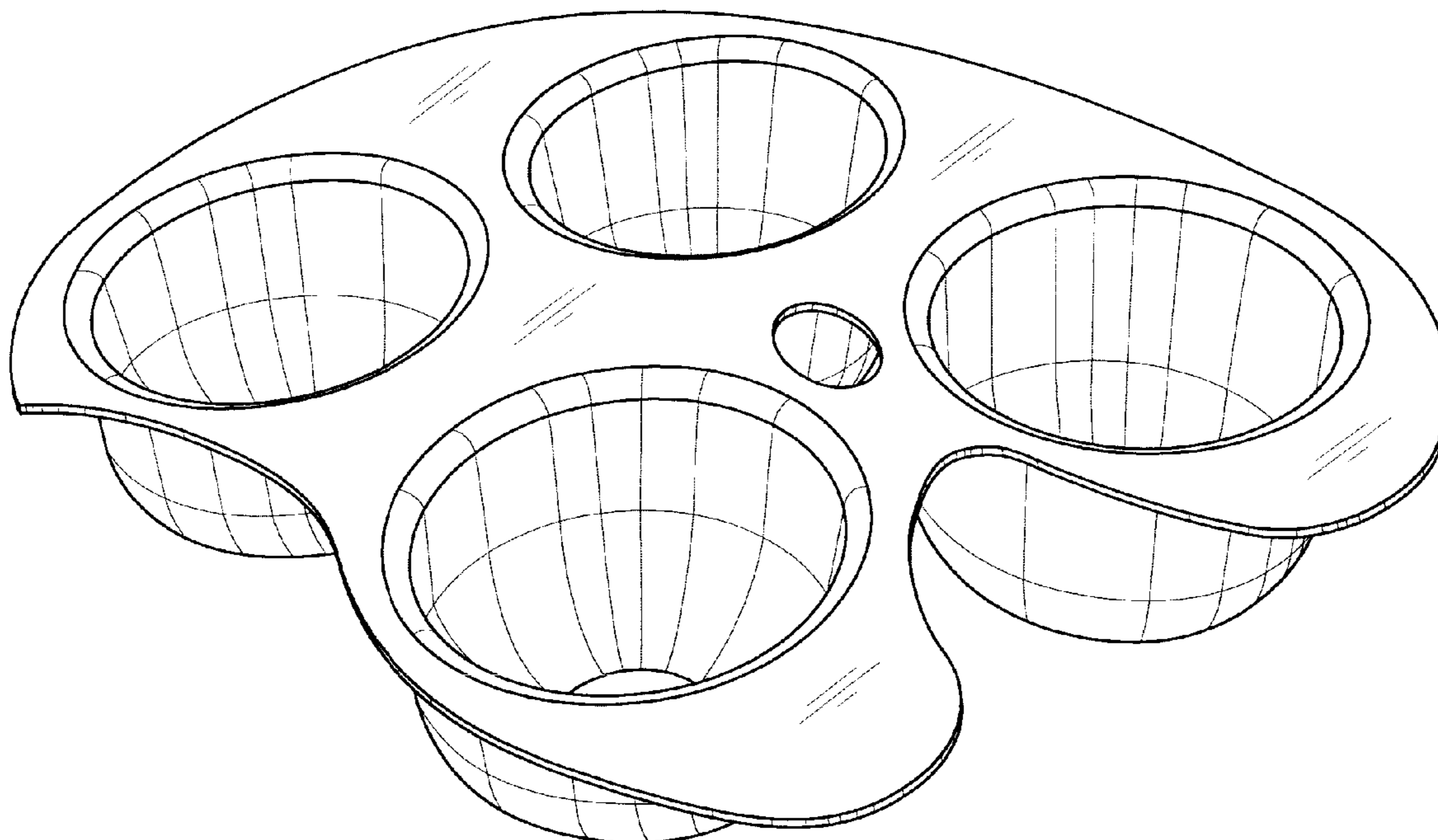
FIG. 7 is a bottom view thereof.

(56) **References Cited**

U.S. PATENT DOCUMENTS

5,775,507	A *	7/1998	Wood	206/581
6,745,907	B2 *	6/2004	Kjelgaard	206/1.7
D625,960	S *	10/2010	Lipfert et al.	D7/553.8
2006/0042991	A1 *	3/2006	White West	206/581
2006/0283767	A1 *	12/2006	White West	206/557

1 Claim, 5 Drawing Sheets



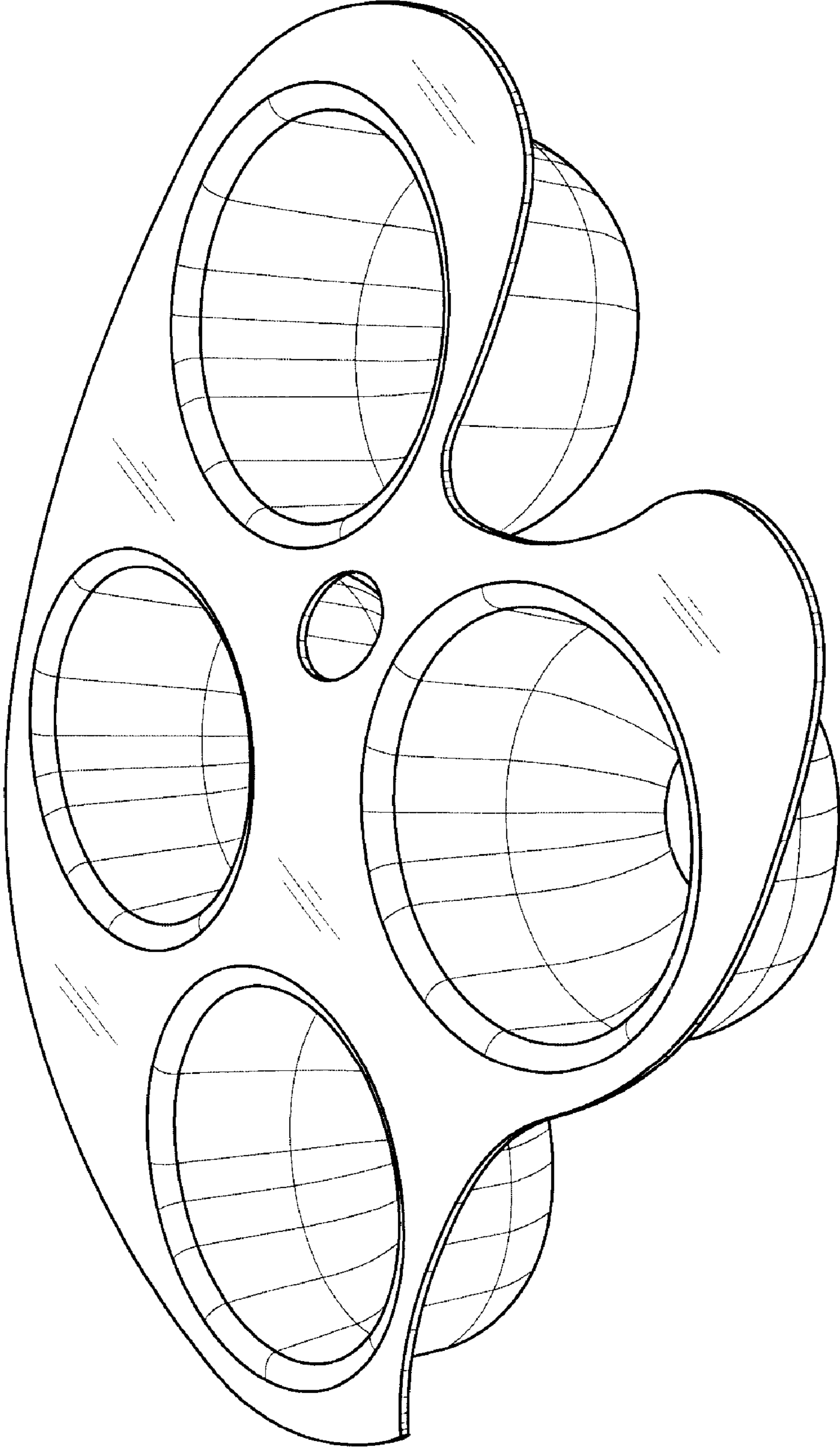


Fig. 1

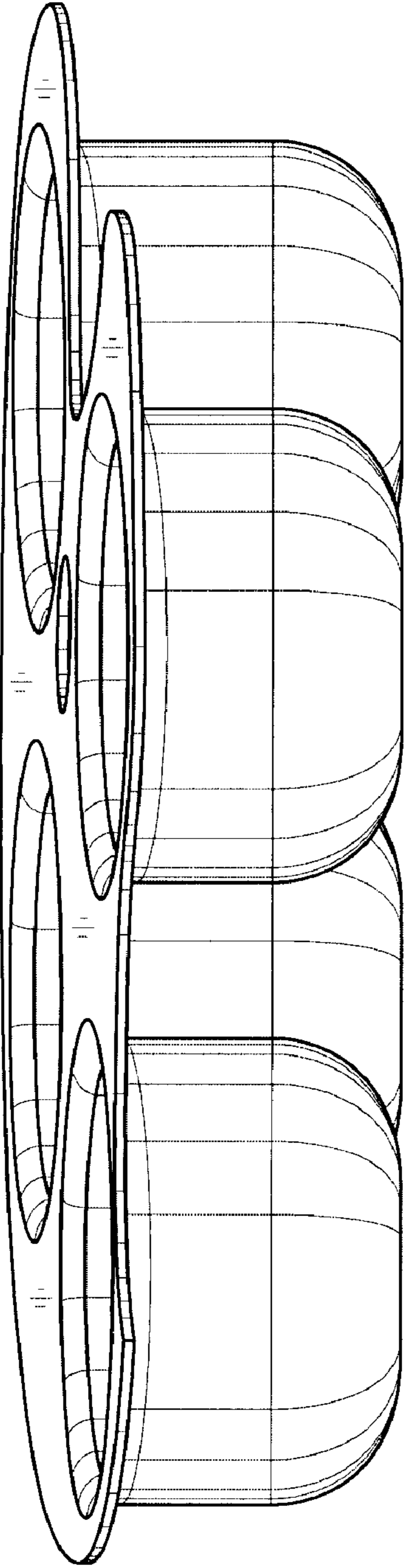


Fig. 2

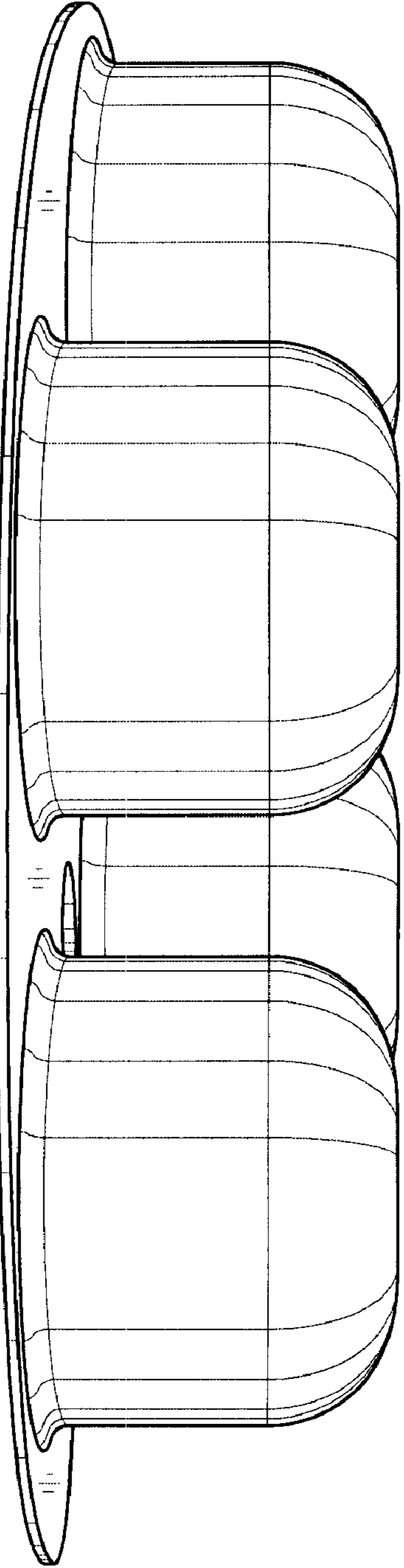


Fig. 3

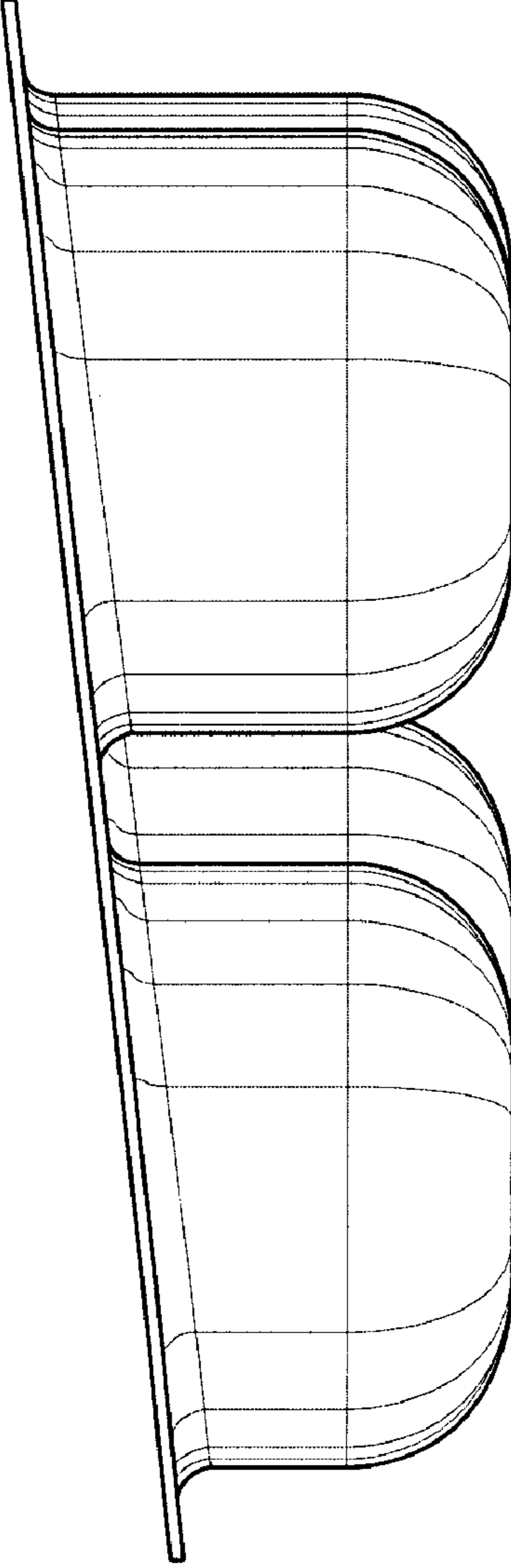


Fig. 4

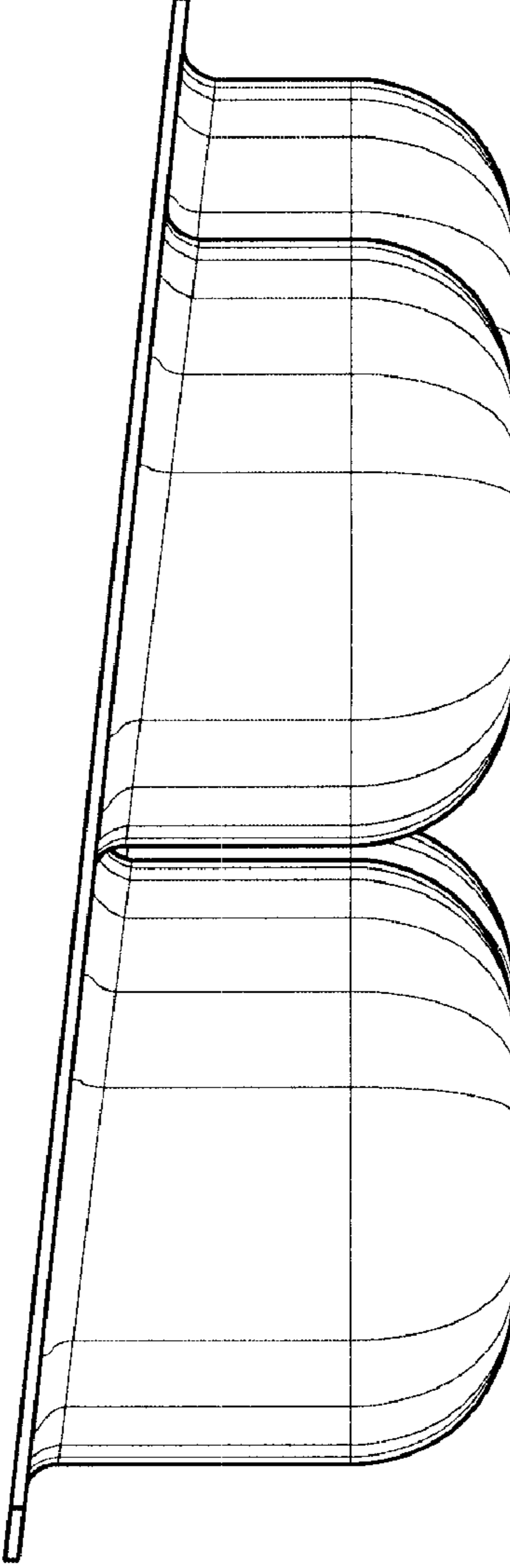


Fig. 5

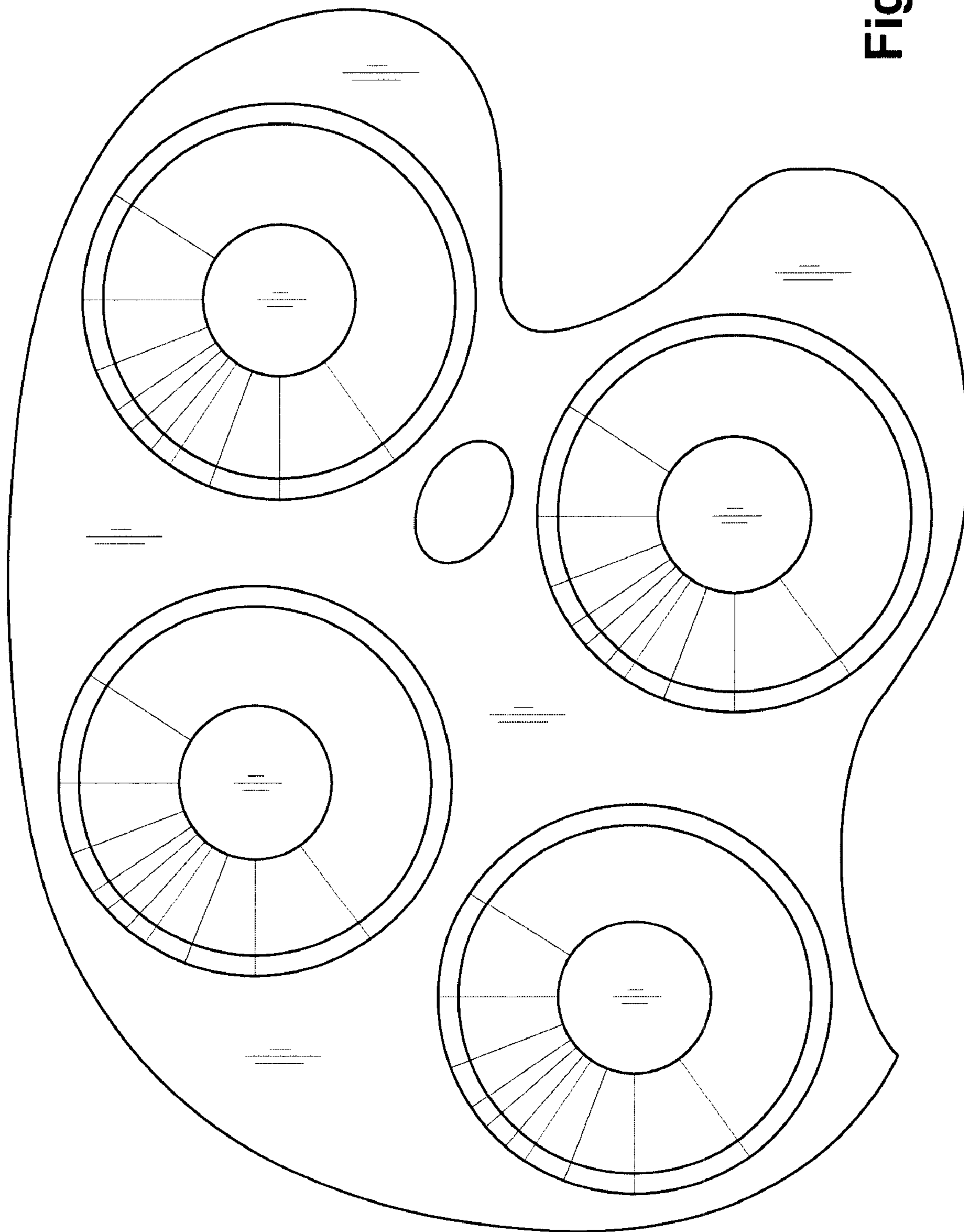


Fig. 6

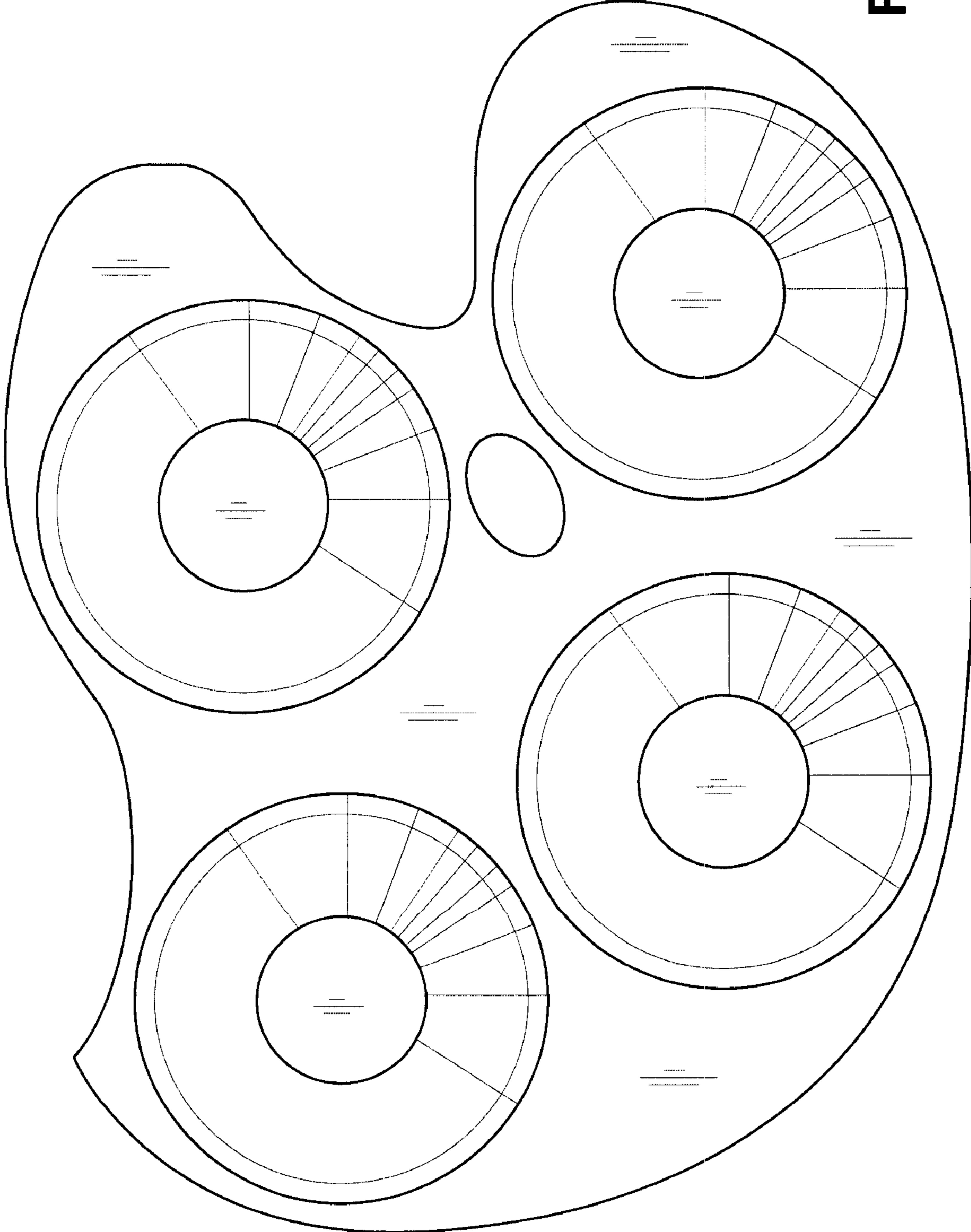


Fig. 7