



US00D631202S

(12) **United States Design Patent**
Chen

(10) **Patent No.:** **US D631,202 S**

(45) **Date of Patent:** **** Jan. 18, 2011**

(54) **COSMETIC CASE**

(75) Inventor: **Kuo-Ming Chen**, Conghua (CN)

(73) Assignee: **Jwu Ching(HK) Co. Limited**, Conghua, Guangdong Province (CN)

(**) Term: **14 Years**

(21) Appl. No.: **29/368,317**

(22) Filed: **Aug. 23, 2010**

(51) **LOC (9) Cl.** **28-03**

(52) **U.S. Cl.** **D28/73**

(58) **Field of Classification Search** D28/73,
D28/76, 77; 206/581, 823; 132/286, 287,
132/293–307, 314–318; D3/901

See application file for complete search history.

(56) **References Cited**

U.S. PATENT DOCUMENTS

D439,017 S *	3/2001	Fang	D28/77
D533,310 S *	12/2006	Kuo	D28/76
D560,312 S *	1/2008	Washington	D28/73
D570,050 S *	5/2008	Williams	D28/73
D607,153 S *	12/2009	Campbell et al.	D28/76
2002/0108628 A1 *	8/2002	Sheng	132/295

* cited by examiner

Primary Examiner—Jennifer Rivard

(74) *Attorney, Agent, or Firm*—Leong C. Lei

(57) **CLAIM**

The ornamental design for a cosmetic case, as shown and described.

DESCRIPTION

FIG. 1 is a front perspective view of a cosmetic case showing my new design;

FIG. 2 is a front elevational view thereof;

FIG. 3 is a rear elevational view thereof;

FIG. 4 is a left elevational view thereof;

FIG. 5 is a right elevational view thereof;

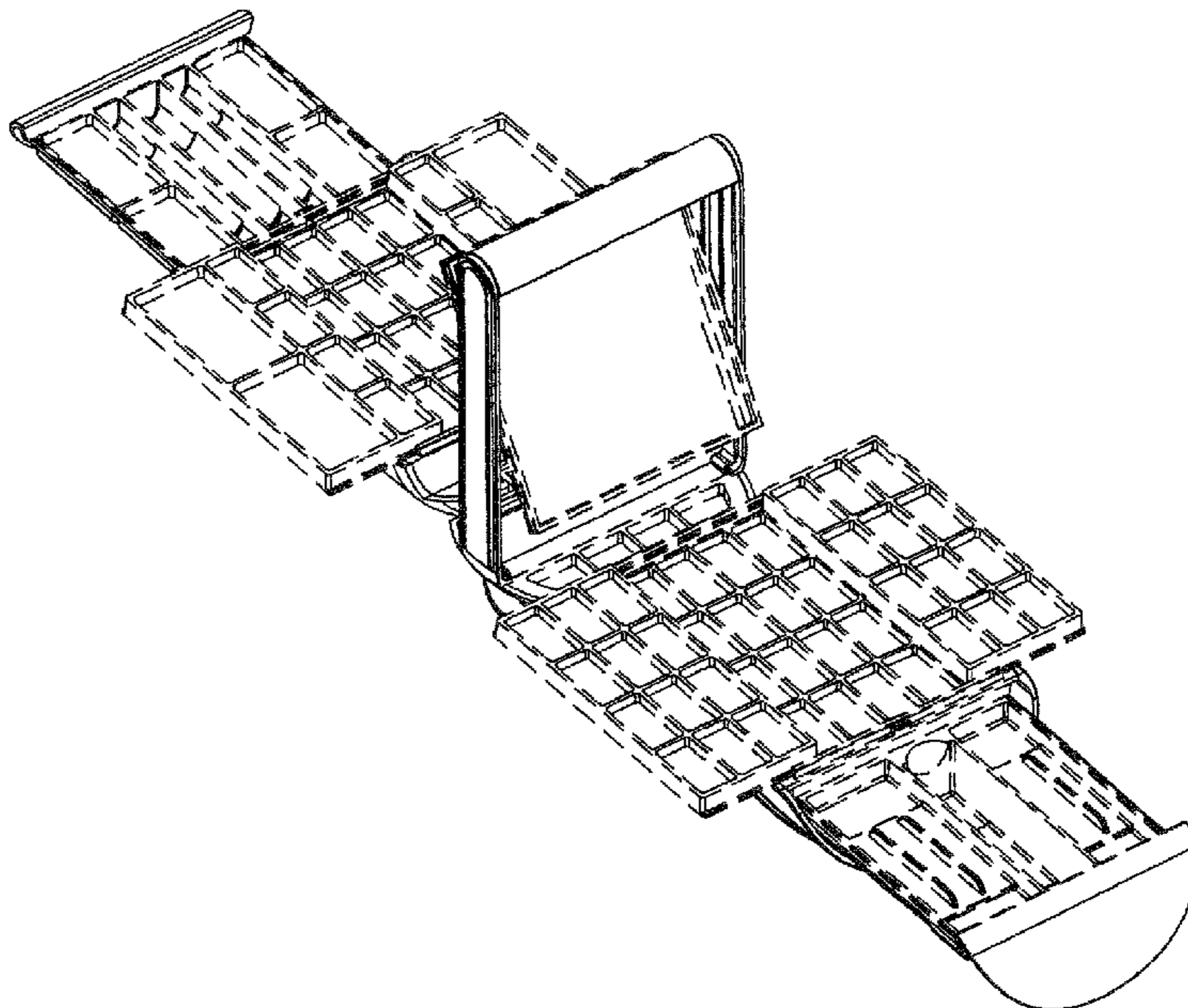
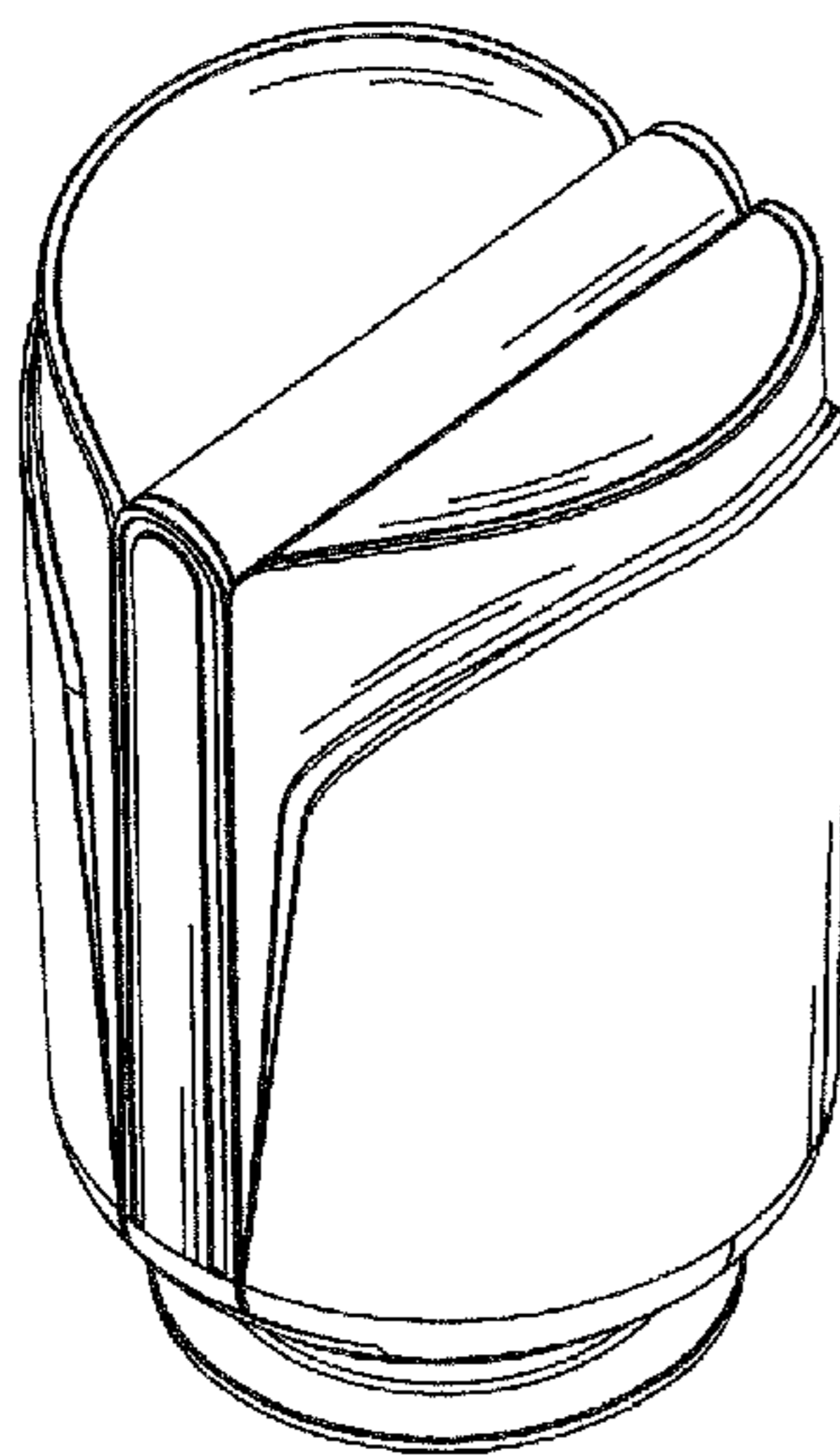
FIG. 6 is a top plan view thereof;

FIG. 7 is a bottom plan view thereof; and,

FIG. 8 is another perspective view thereof, showing the status while in use.

The broken lines shown in the drawings illustrate portions of the article and form no part of the claimed design.

1 Claim, 8 Drawing Sheets



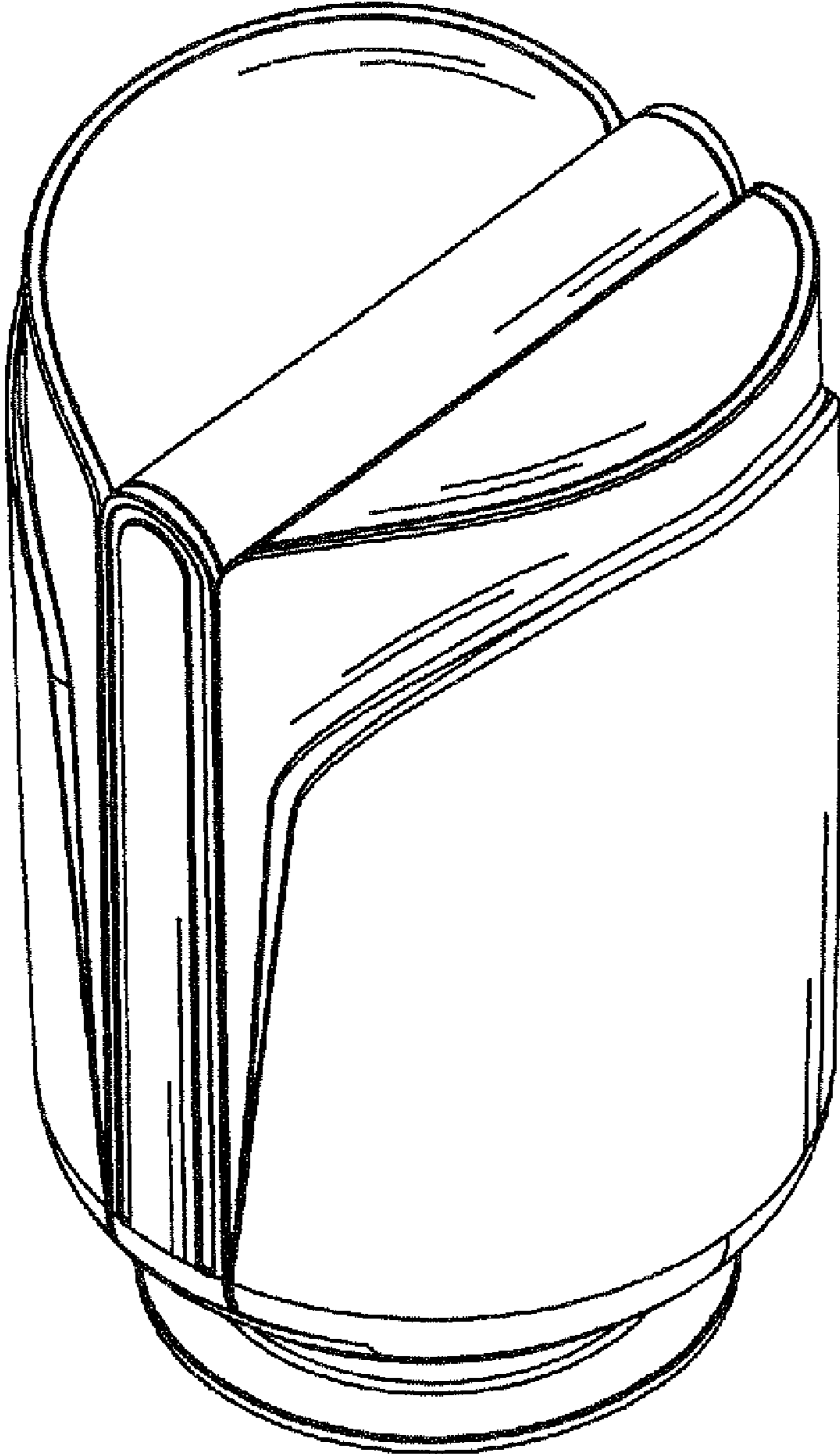


FIG. 1

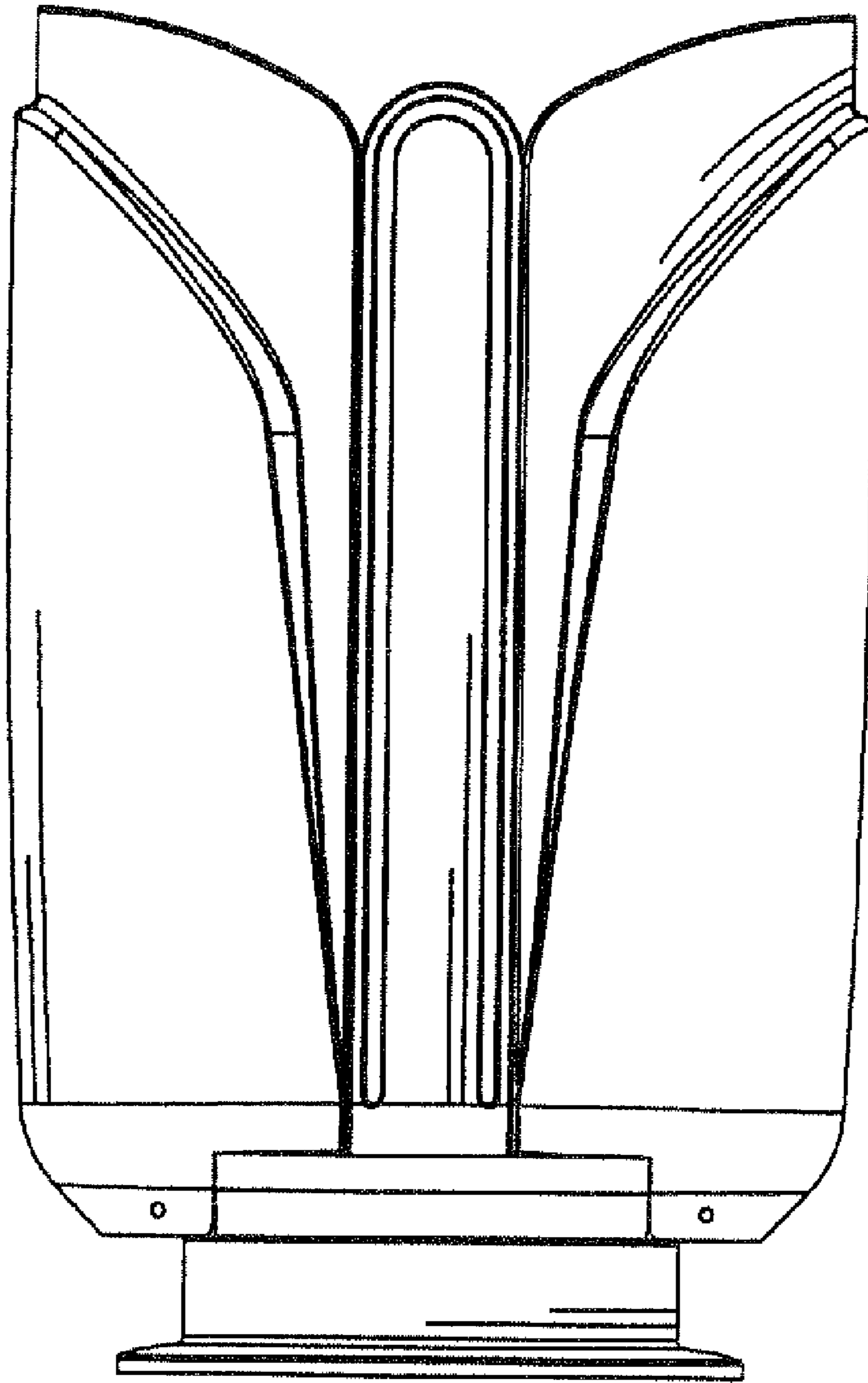


FIG.2

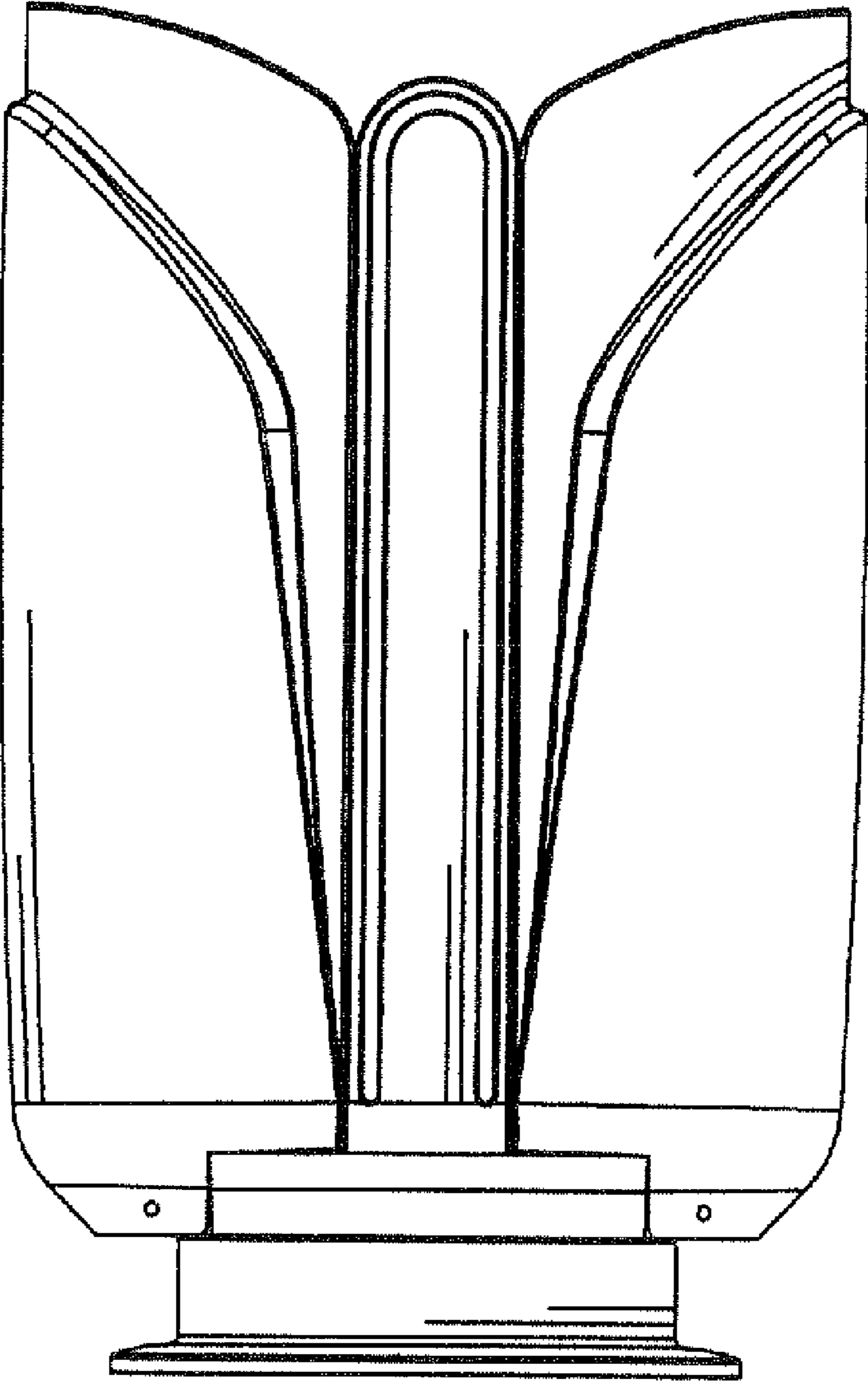


FIG. 3

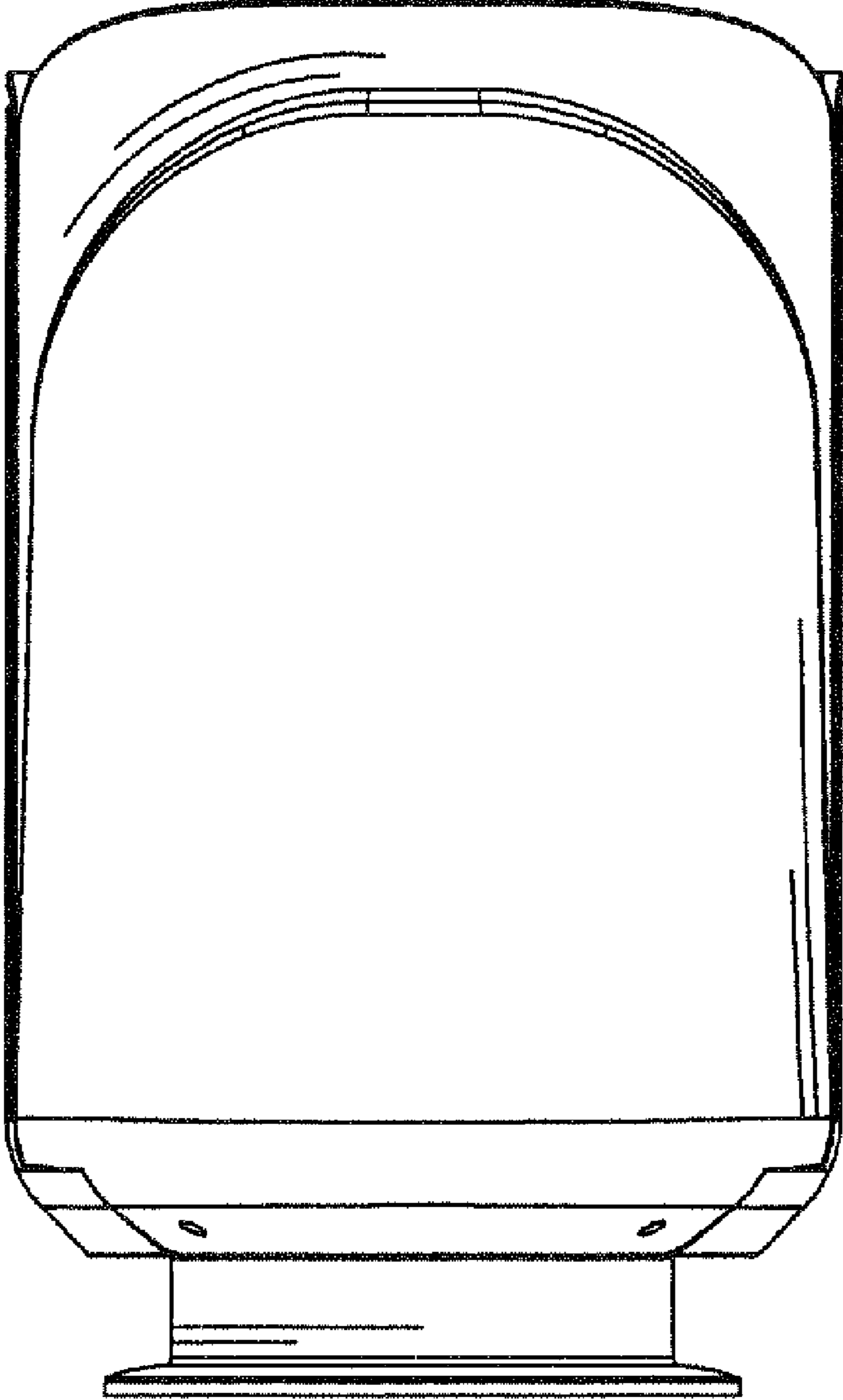


FIG. 4

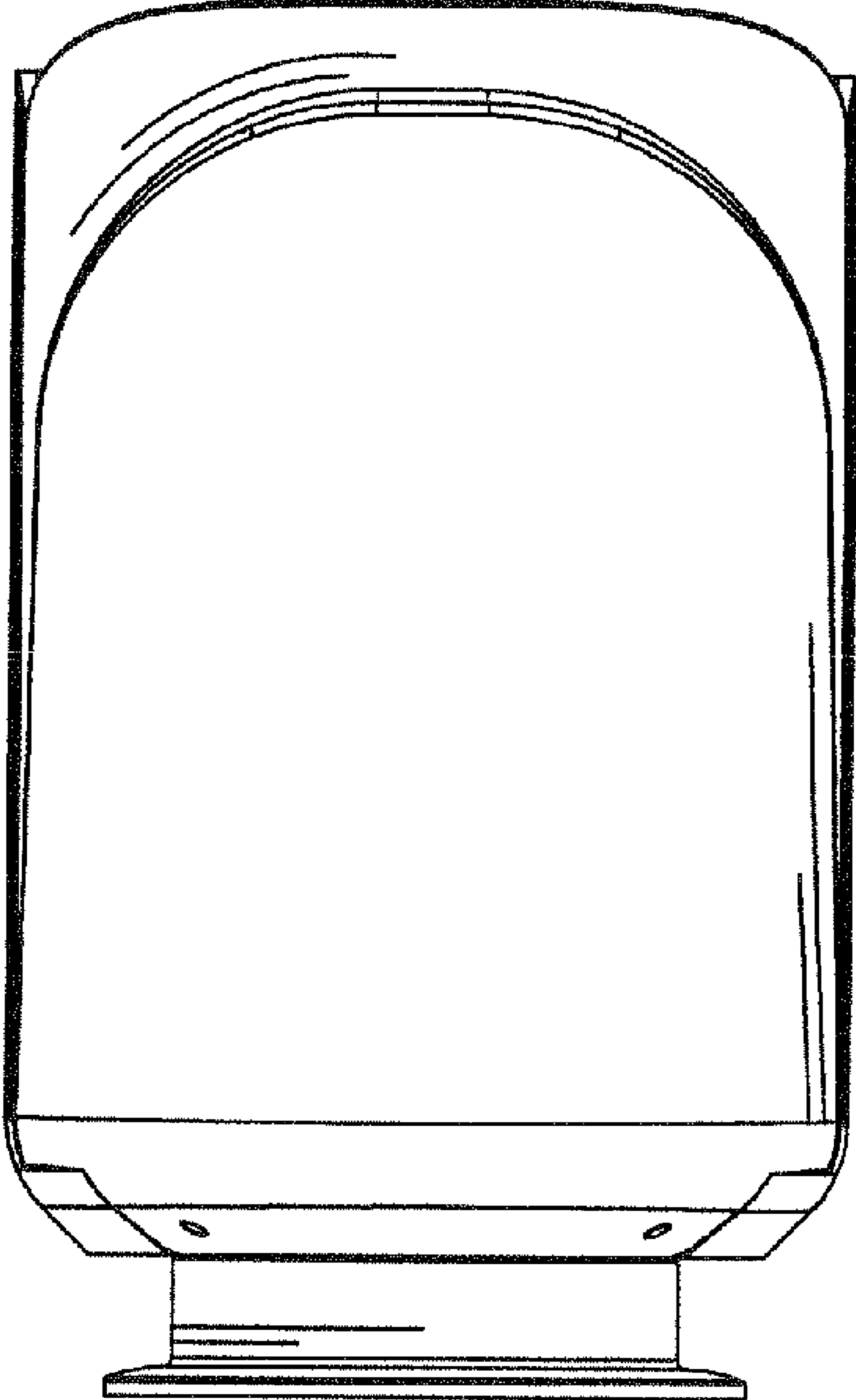


FIG. 5

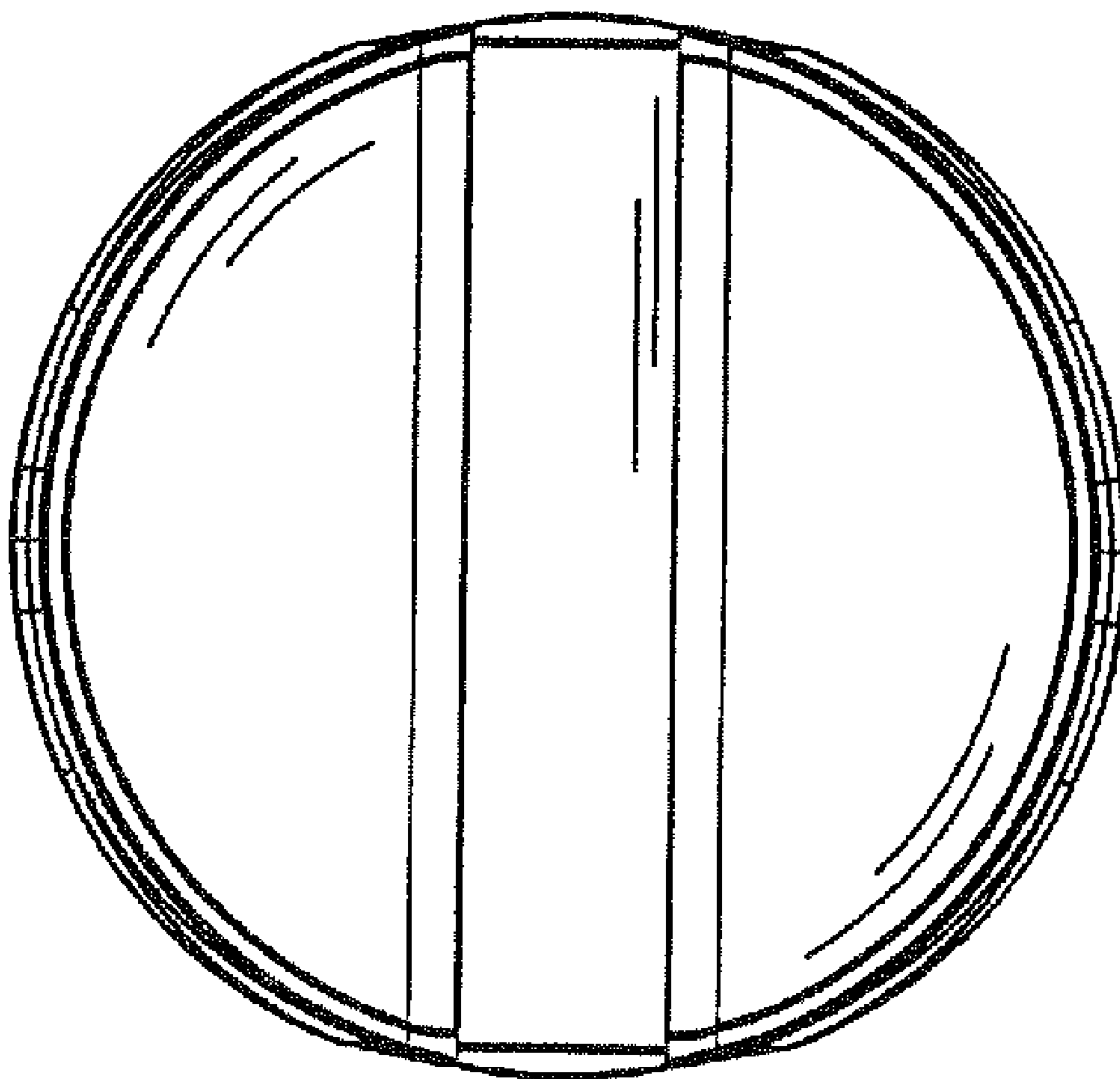


FIG. 6

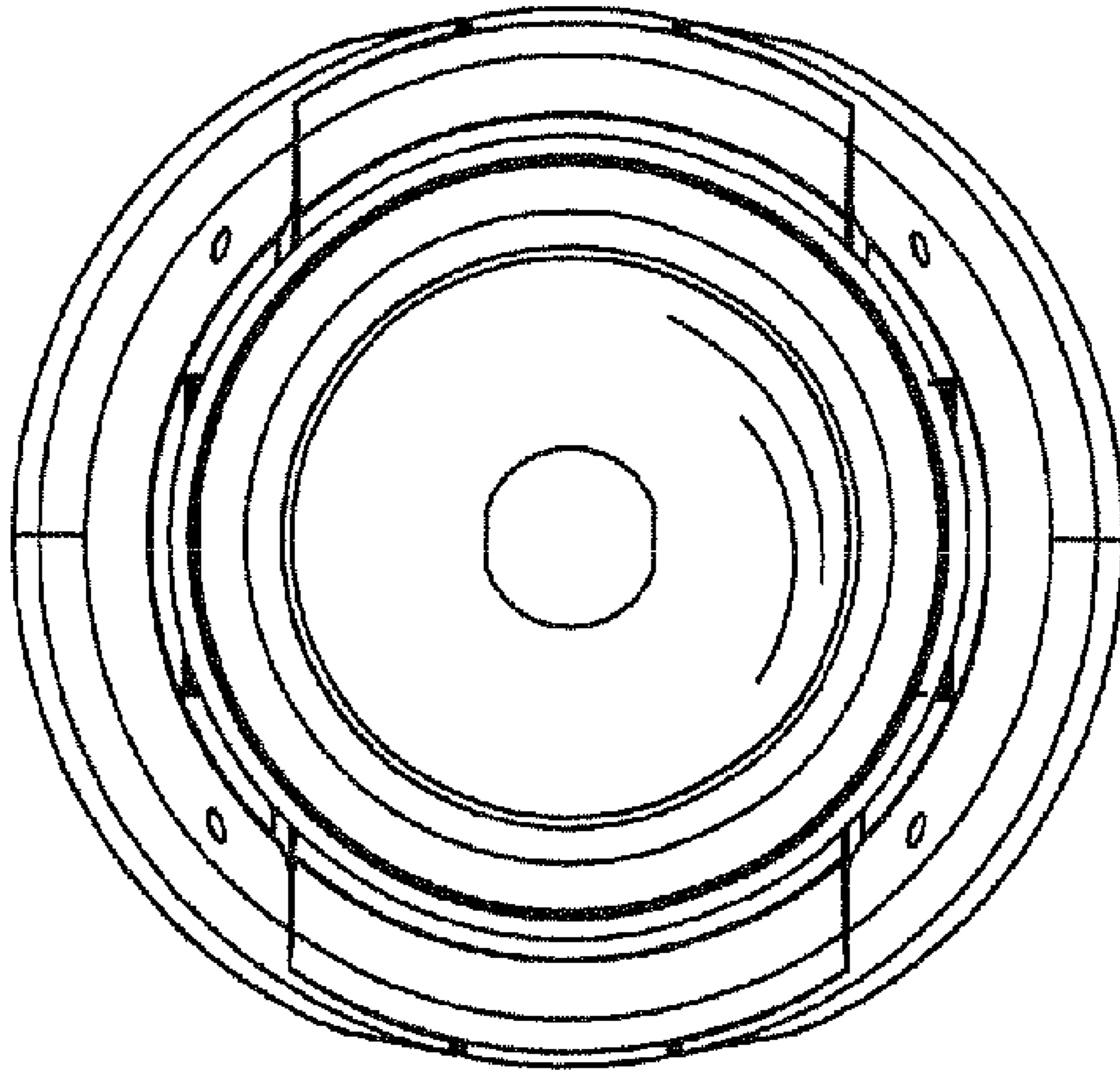


FIG. 7

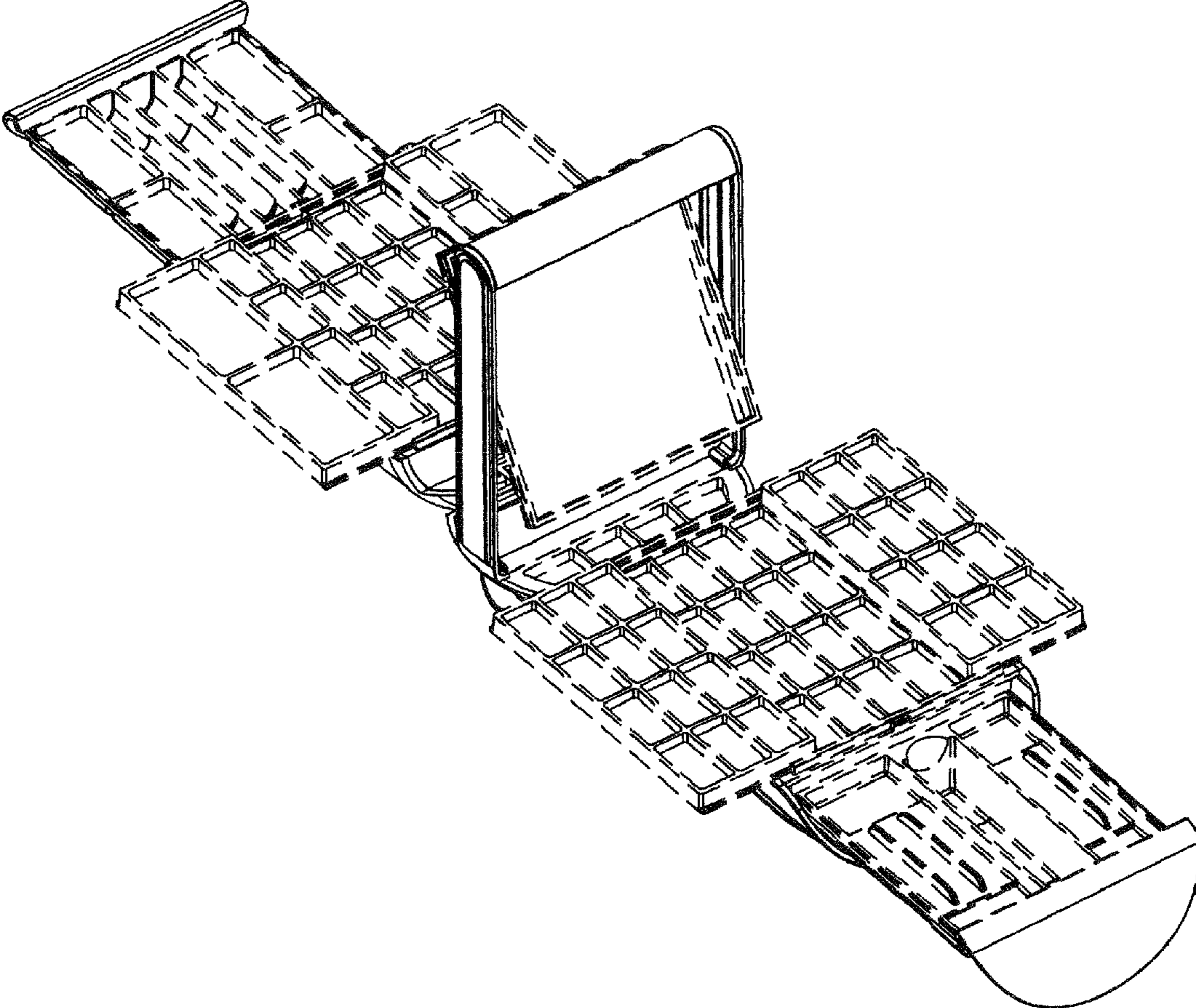


FIG.8