



US00D631197S

(12) **United States Design Patent**  
**Ljunggren et al.**

(10) **Patent No.:** **US D631,197 S**

(45) **Date of Patent:** **\*\* Jan. 18, 2011**

(54) **EYELASH CURLER**

(75) Inventors: **Anton Ljunggren**, New York, NY (US);  
**Joern Vicari**, Brooklyn, NY (US); **Tara Marchionna**, New York, NY (US);  
**Christian Stolarz**, Brooklyn, NY (US);  
**Anthony DiBitonto**, Brooklyn, NY (US)

(73) Assignee: **Coty S.A.S.**, Paris (FR)

(\*\*) Term: **14 Years**

(21) Appl. No.: **29/361,701**

(22) Filed: **May 13, 2010**

(51) **LOC (9) Cl.** ..... **28-03**

(52) **U.S. Cl.** ..... **D28/36**

(58) **Field of Classification Search** ..... D28/36;  
132/216-217

See application file for complete search history.

(56) **References Cited**

**U.S. PATENT DOCUMENTS**

D133,455 S \* 8/1942 Tuttle et al. .... D28/36  
4,305,412 A \* 12/1981 Nist ..... 132/217  
D328,504 S \* 8/1992 Davies ..... D28/36

5,673,712 A \* 10/1997 Nojiri ..... 132/217  
6,105,585 A \* 8/2000 Thomas ..... 132/217  
D437,660 S \* 2/2001 Kim ..... D28/36  
D559,449 S \* 1/2008 Lin ..... D28/36  
2007/0163613 A1 \* 7/2007 Lee ..... 132/216

\* cited by examiner

*Primary Examiner*—Jennifer Rivard

(74) *Attorney, Agent, or Firm*—Schwegman, Lundberg & Woessner, P.A.

(57) **CLAIM**

We claim the ornamental design for the eyelash curler, as shown and described.

**DESCRIPTION**

FIG. 1 is a perspective view of an eyelash curler, incorporating our new design;

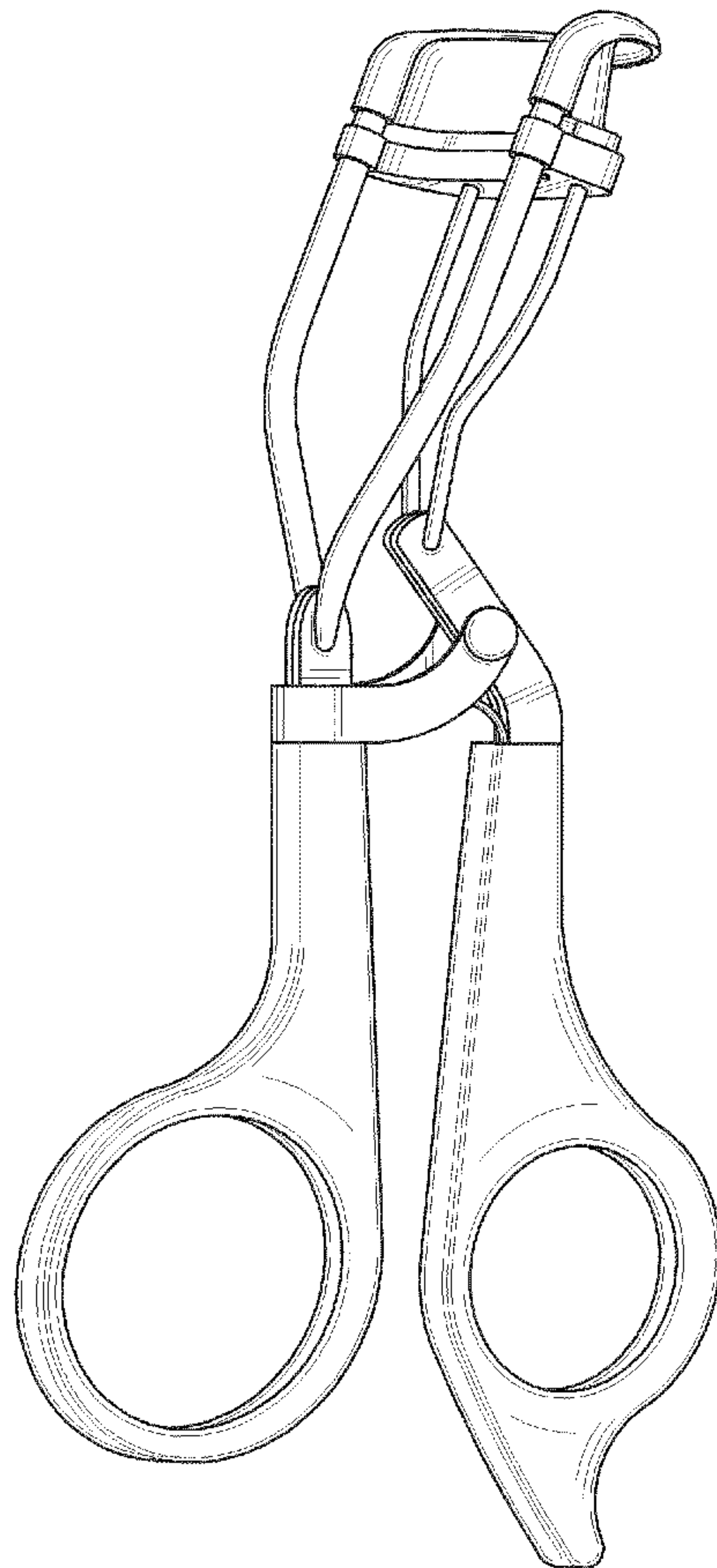
FIG. 2 is a front view of the eyelash curler of FIG. 1;

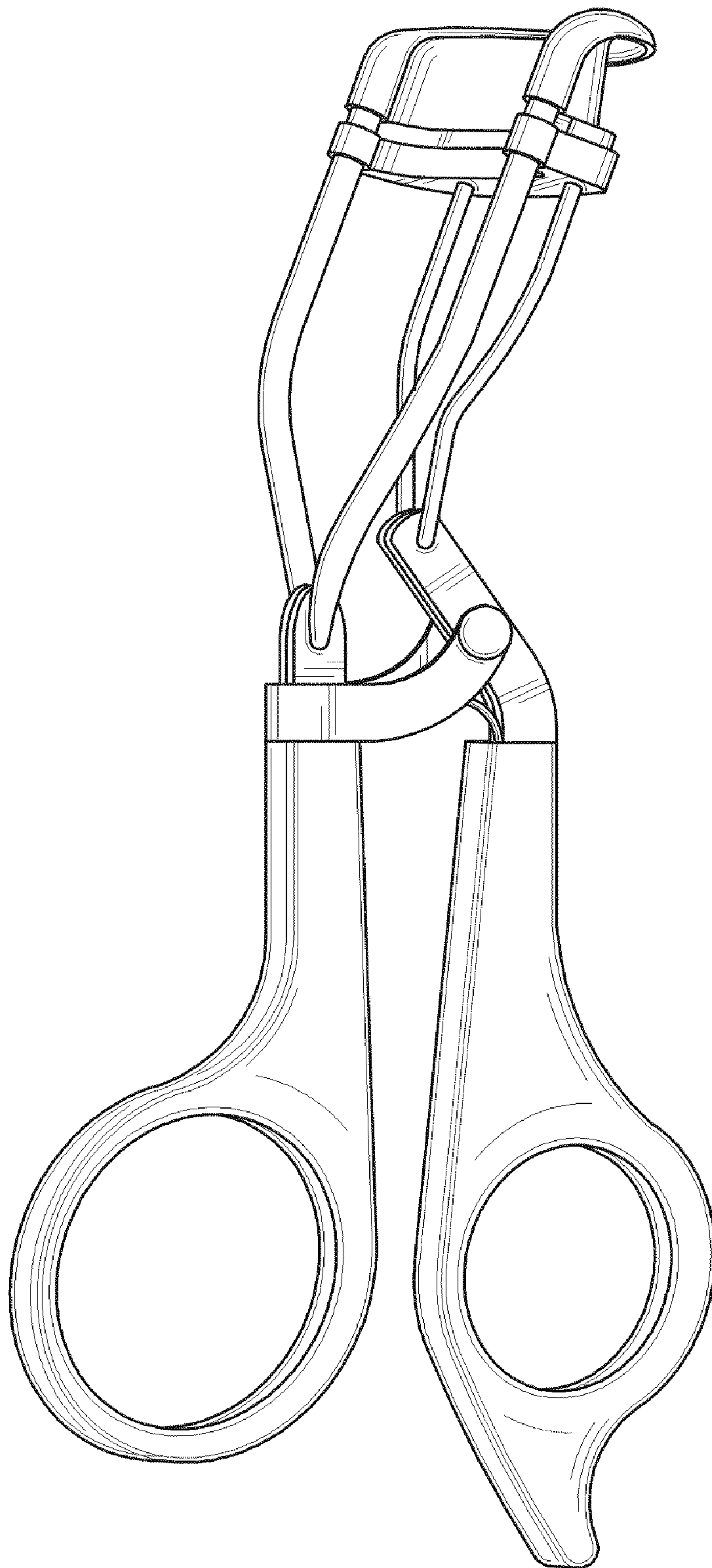
FIG. 3 is a rear view of the eyelash curler of FIG. 1;

FIG. 4 is a right side view of the eyelash curler of FIG. 1; and,

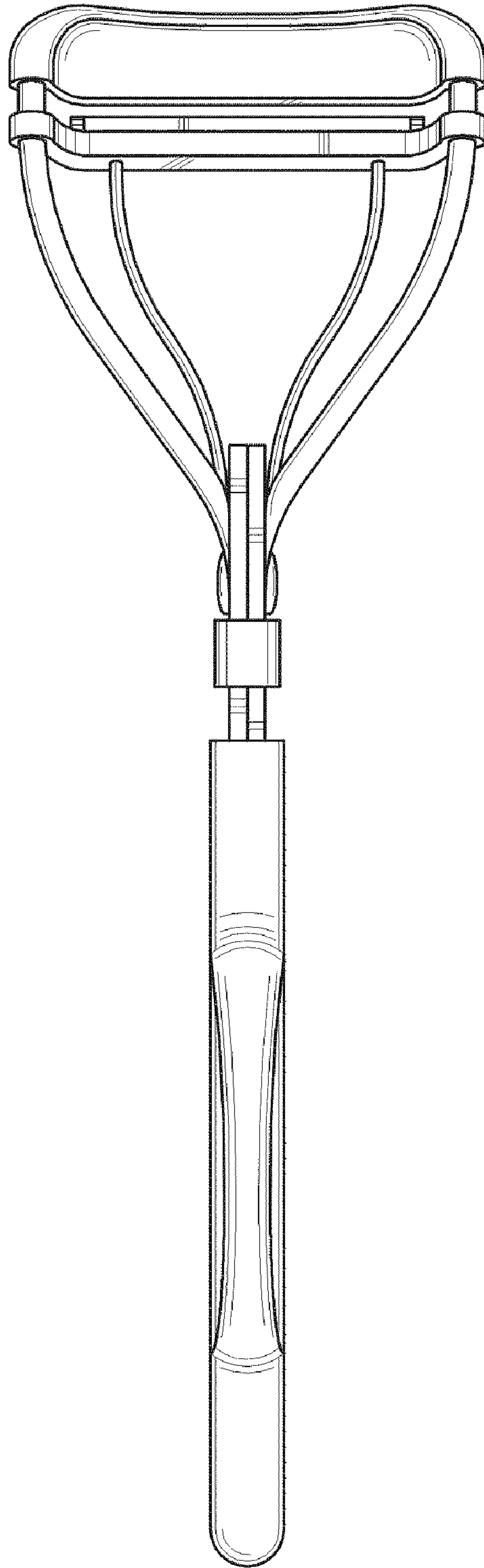
FIG. 5 is a left side view of the eyelash curler of FIG. 1.

**1 Claim, 5 Drawing Sheets**

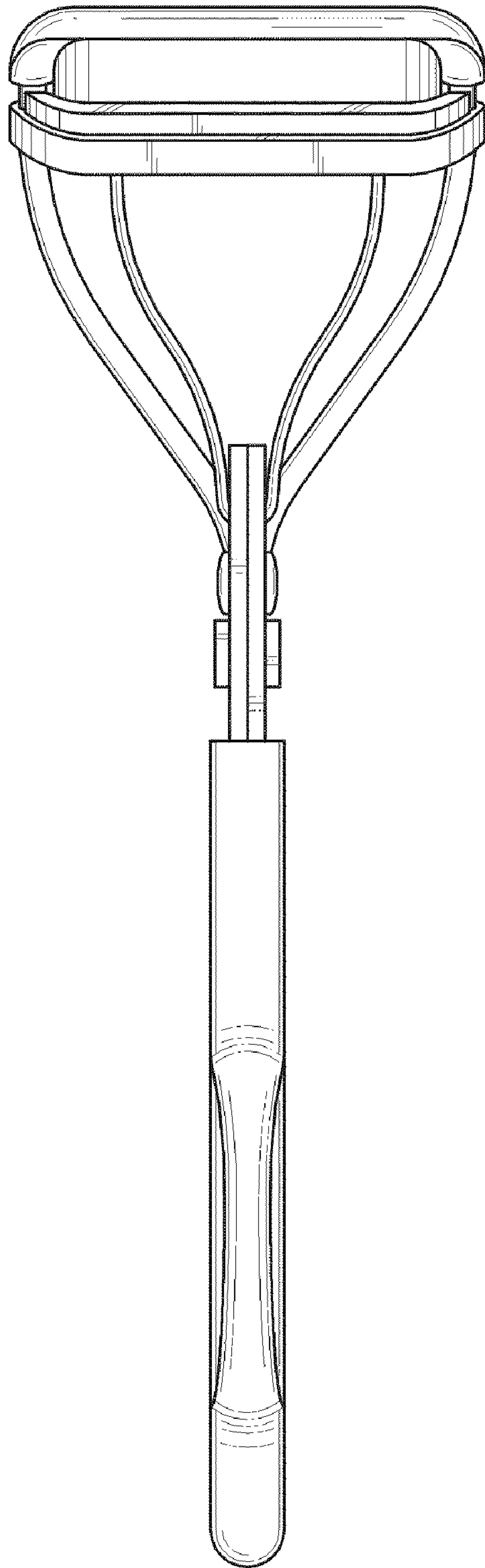




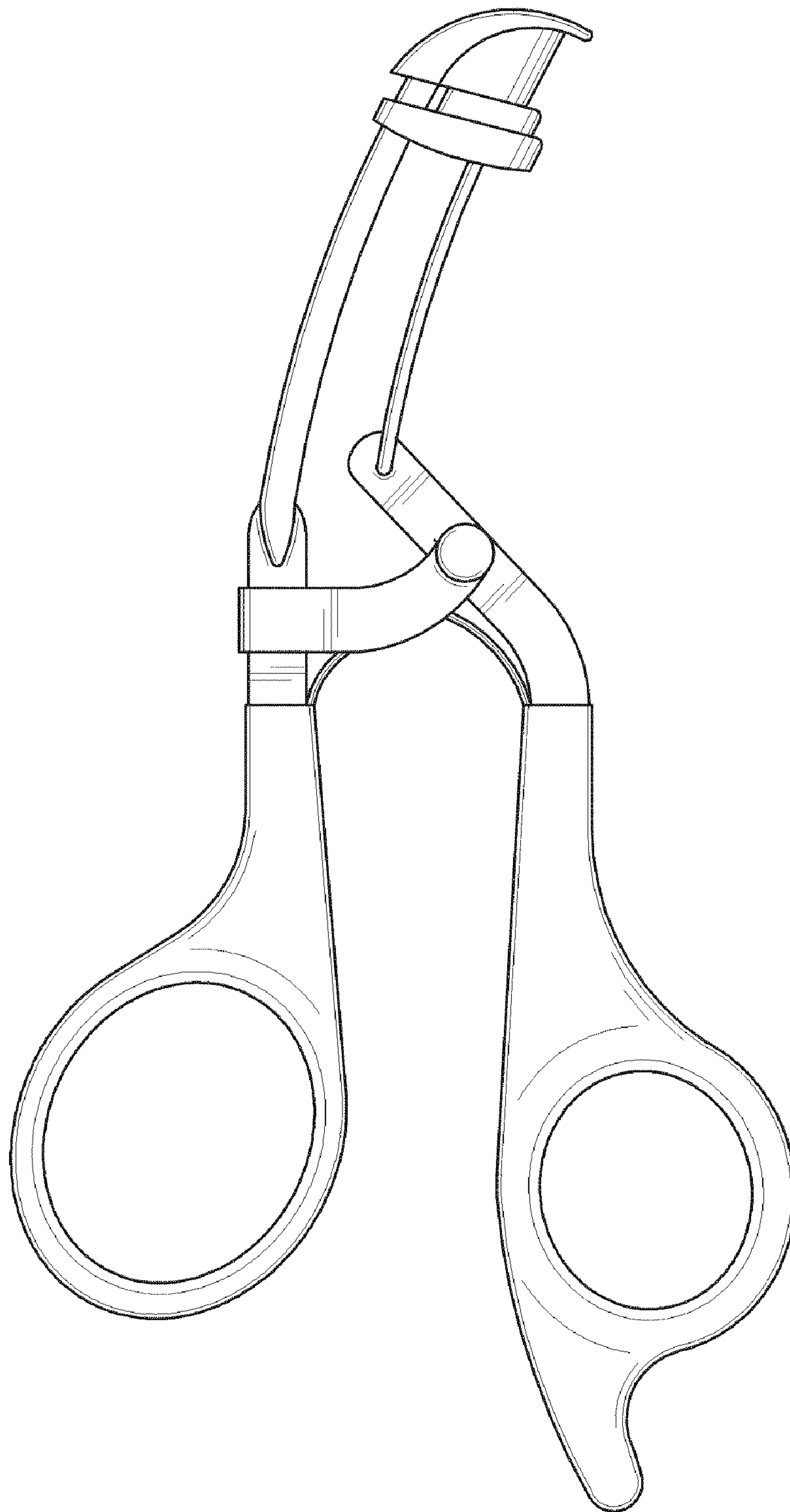
*FIG. 1*



*FIG. 2*

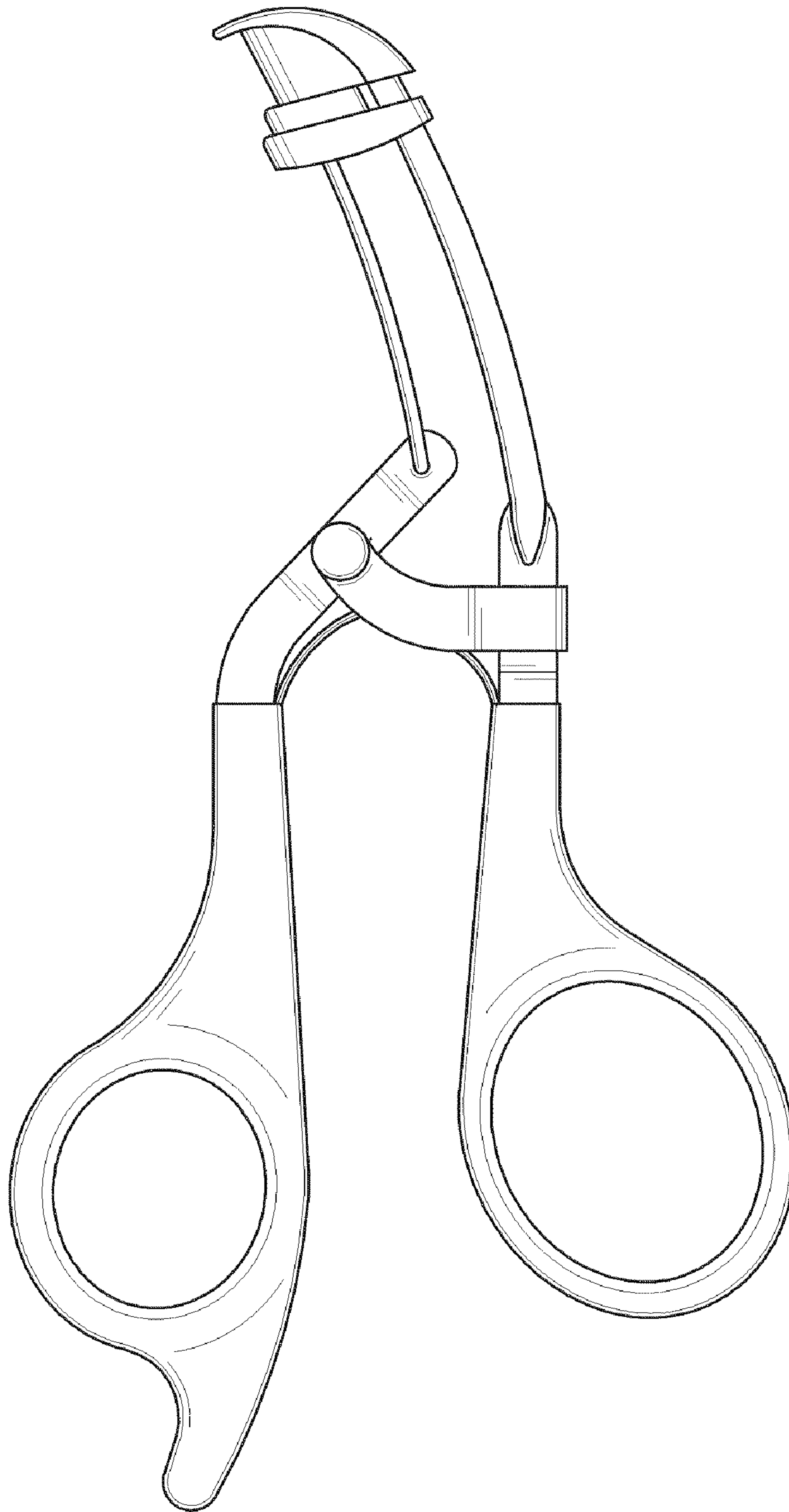


*FIG. 3*



*FIG. 4*





*FIG. 5*