



US00D631189S

(12) **United States Design Patent**
Urano

(10) **Patent No.:** **US D631,189 S**

(45) **Date of Patent:** **** Jan. 18, 2011**

(54) **CONNECTOR FOR BACKLIGHT**

2008/0002387 A1* 1/2008 Jung et al. 362/29
2009/0257216 A1* 10/2009 Cho et al. 362/97.1

(75) Inventor: **Tetsu Urano**, Tokyo (JP)

* cited by examiner

(73) Assignee: **Japan Aviation Electronics Industry, Ltd.**, Tokyo (JP)

Primary Examiner—Cathron C Brooks

Assistant Examiner—Kevin K Rudzinski

(**) Term: **14 Years**

(74) *Attorney, Agent, or Firm*—Cermak Nakajima LLP;
Tomoko Nakajima

(21) Appl. No.: **29/359,778**

(57) **CLAIM**

(22) Filed: **Apr. 15, 2010**

The ornamental design for a connector for backlight, as shown and described.

(30) **Foreign Application Priority Data**

Feb. 12, 2010 (JP) 2010-003302

DESCRIPTION

(51) **LOC (9) Cl.** **26-99**

FIG. 1 is a front elevational view of a connector for backlight showing my new design;

(52) **U.S. Cl.** **D26/142**

FIG. 2 is a top plan view thereof;

(58) **Field of Classification Search** D26/63,
D26/67, 136, 87, 92, 142, 145, 155, 1, 2,
D26/134, 154, 3, 138, 123, 118, 133, 129,
D26/130, 131, 28, 124, 144, 81, 84, 85, 120,
D26/128, 140, 141, 143; 362/291, 294, 414,
362/352, 260, 220, 218, 219, 221, 241, 147,
362/277, 326, 351, 355, 356, 357, 370, 405,
362/432; 439/235, 226, 239; D13/110, 179,
D13/180

FIG. 3 is a right side elevational view thereof; and

FIG. 4 is a left side elevational view thereof; and

FIG. 5 is a rear elevational view thereof;

FIG. 6 is a bottom plan view thereof.

See application file for complete search history.

FIG. 7 is a top, front, and left perspective view thereof.

FIG. 8 is a top, rear, and left perspective view thereof.

(56) **References Cited**

U.S. PATENT DOCUMENTS

4,504,891	A *	3/1985	Mazis	362/219
5,013,253	A *	5/1991	Aiello et al.	439/235
5,138,528	A *	8/1992	Altman et al.	361/760
5,368,495	A *	11/1994	Raby et al.	439/226
5,908,235	A *	6/1999	Petrozello et al.	362/260
6,217,190	B1 *	4/2001	Altman et al.	362/221
6,561,828	B2 *	5/2003	Henrici et al.	439/239
7,549,881	B2 *	6/2009	Cho et al.	439/235
7,628,506	B2 *	12/2009	Verfuerth et al.	362/218

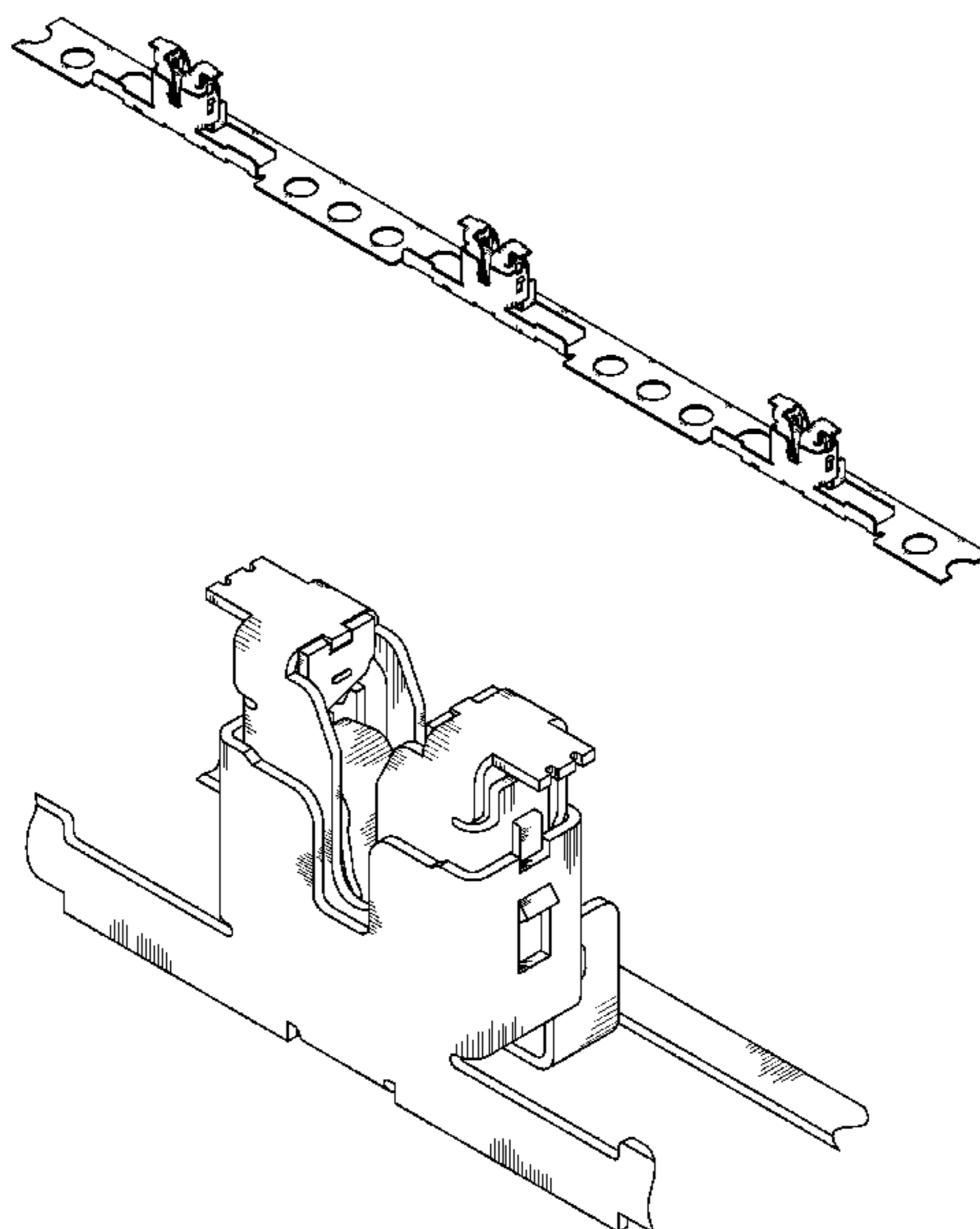
FIG. 9 is a partial and enlarged top, front and left perspective view of FIG. 2 taken along line 9—9, shown separately for completeness of illustration.

FIG. 10 is a partial and enlarged top, rear and left perspective view of FIG. 2 taken along line 9—9, shown separately for completeness of illustration.

FIG. 11 is an enlarged cross sectional view of FIG. 2 taken along line 11—11 between line 9—9; and,

FIG. 12 is an enlarged cross sectional view of FIG. 2 taken along line 12—12.

1 Claim, 12 Drawing Sheets



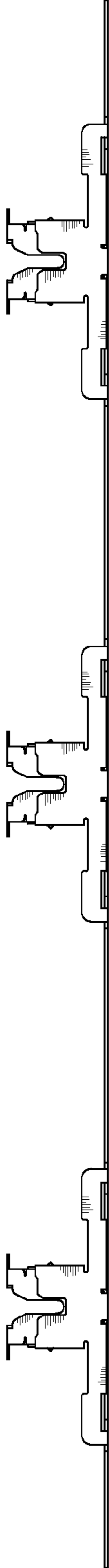


FIG.1

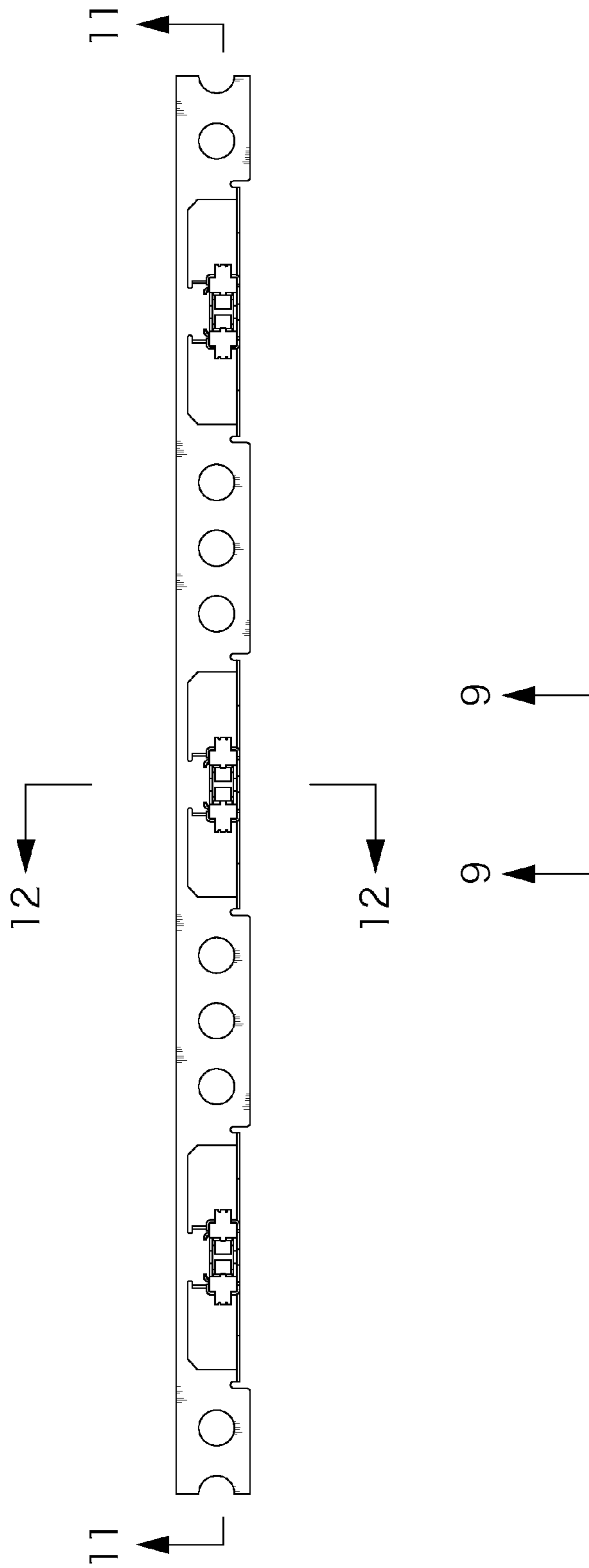


FIG.2

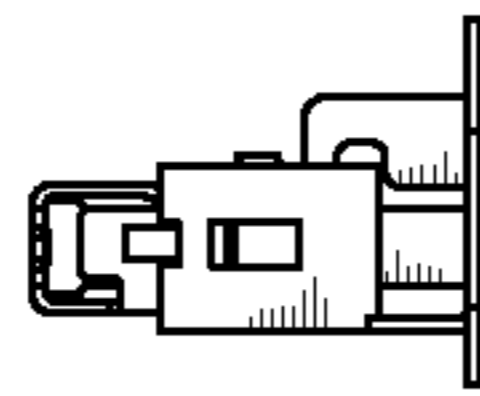


FIG.3

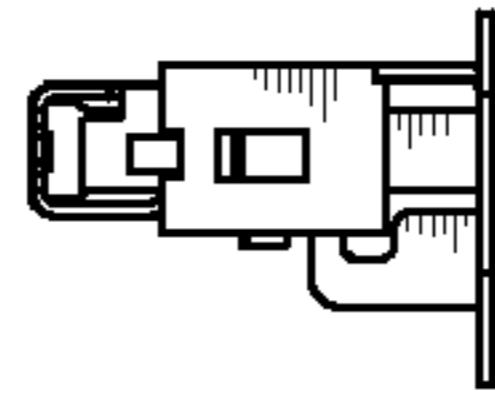


FIG.4

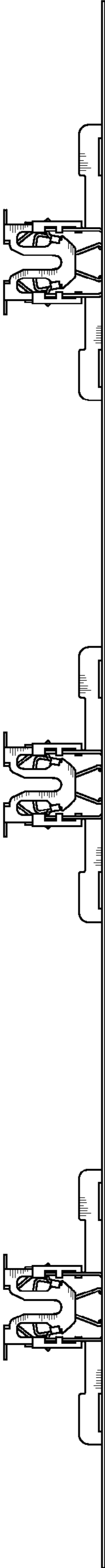


FIG.5

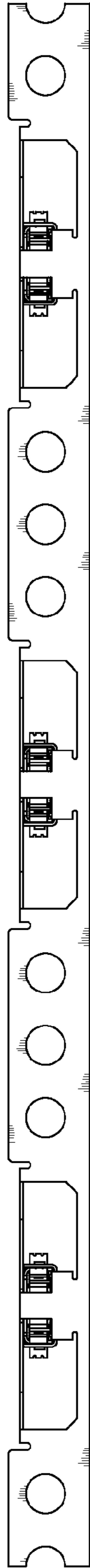


FIG.6

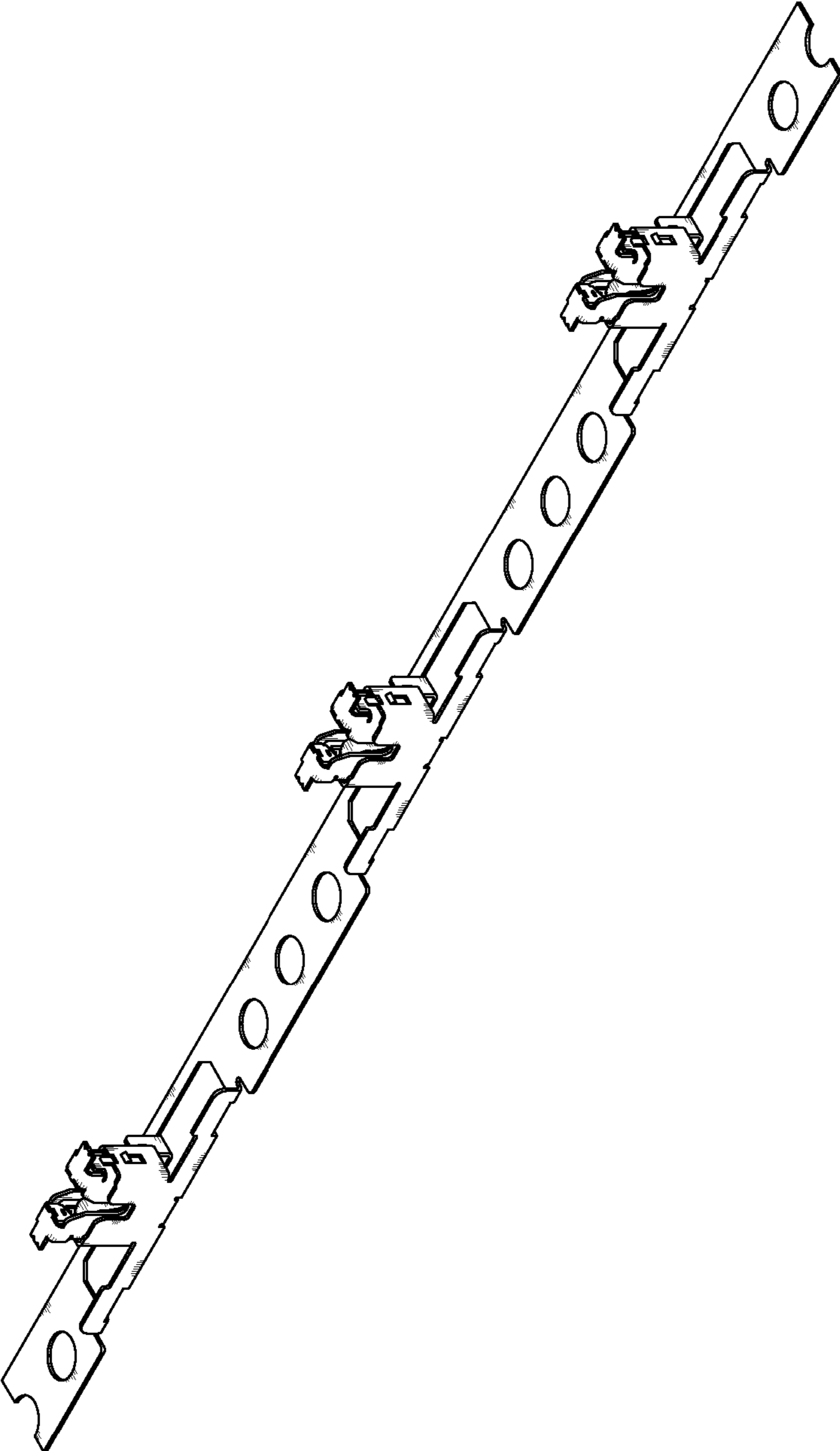


FIG.7

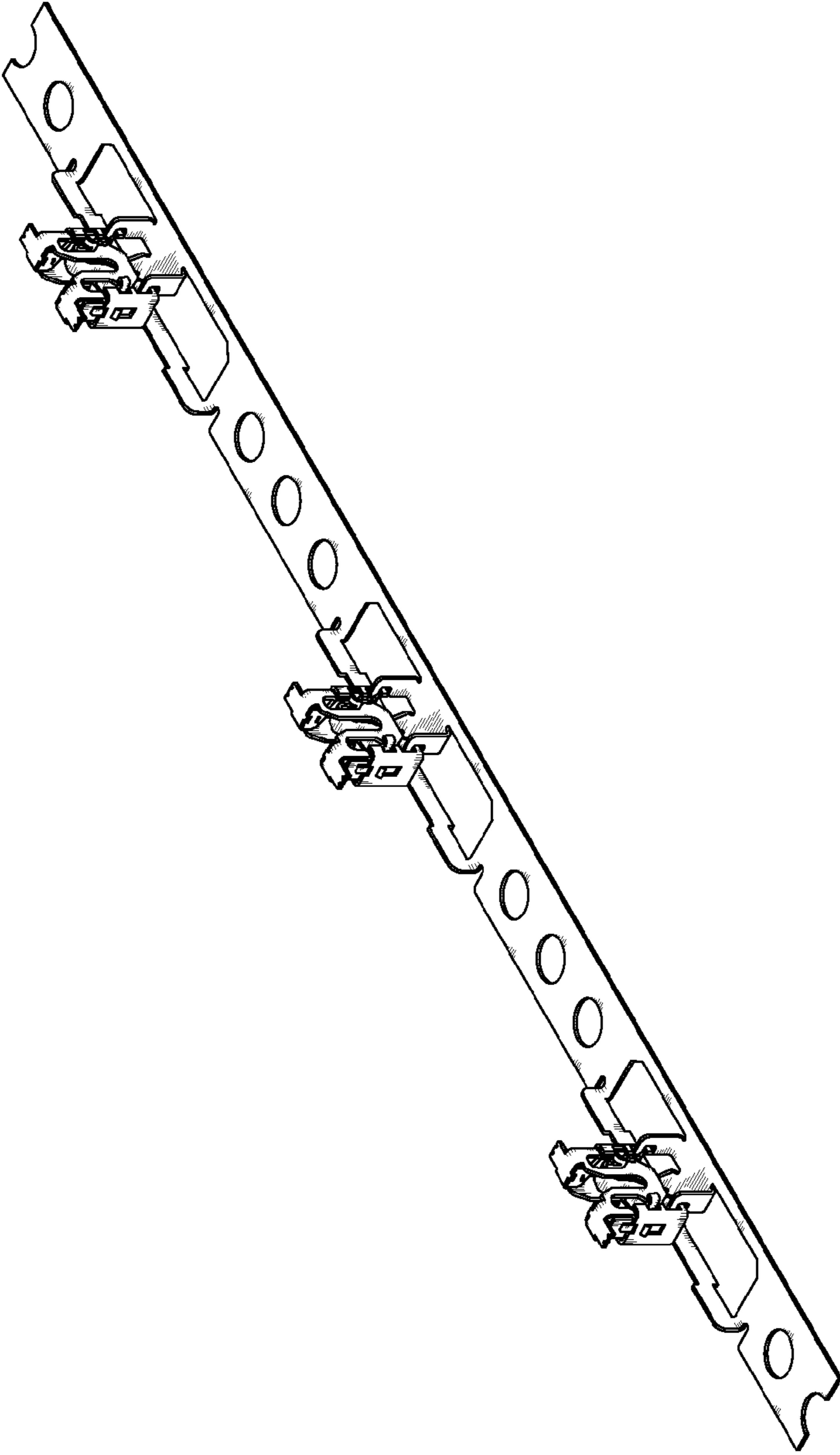


FIG.8

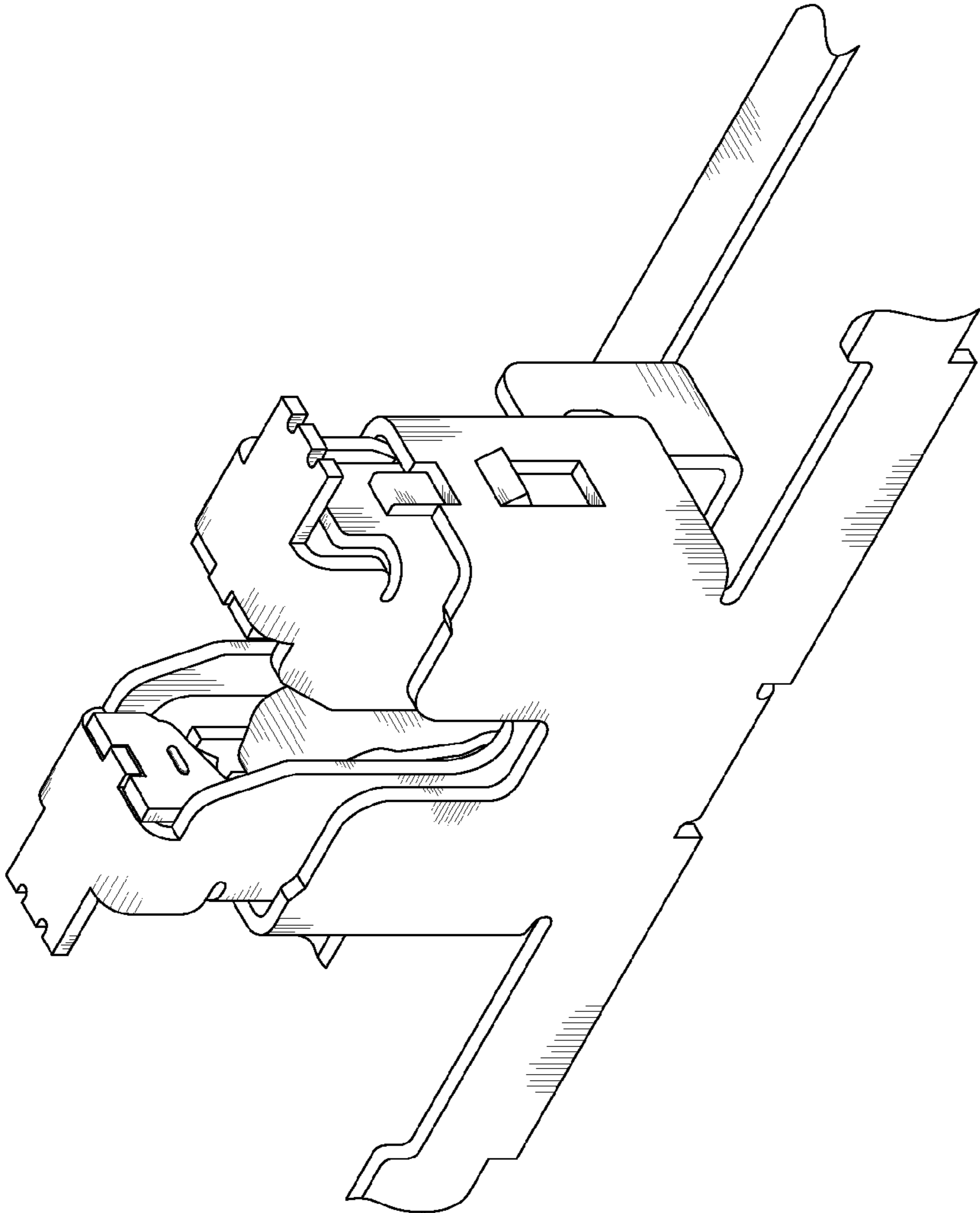


FIG.9

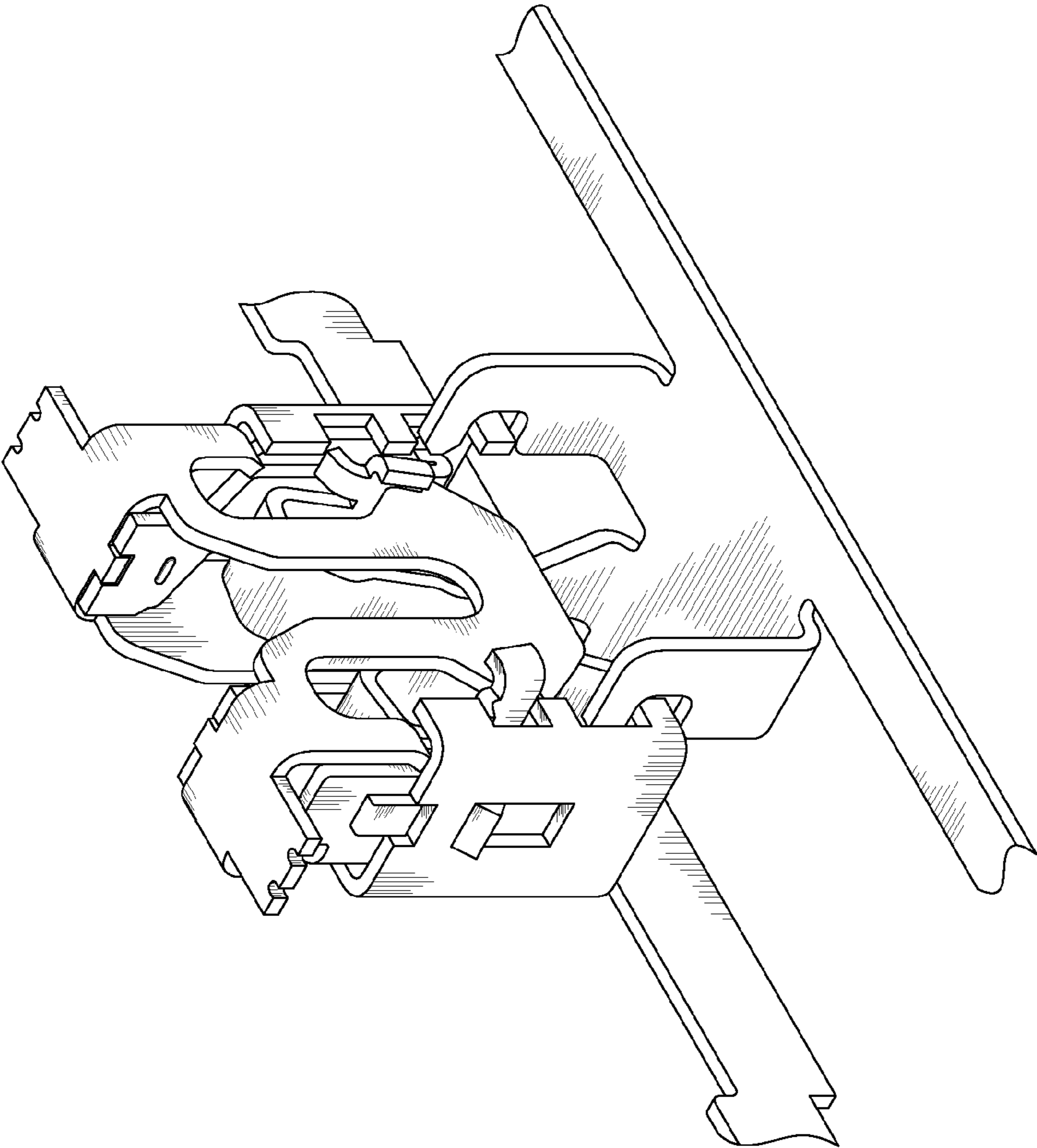


FIG.10

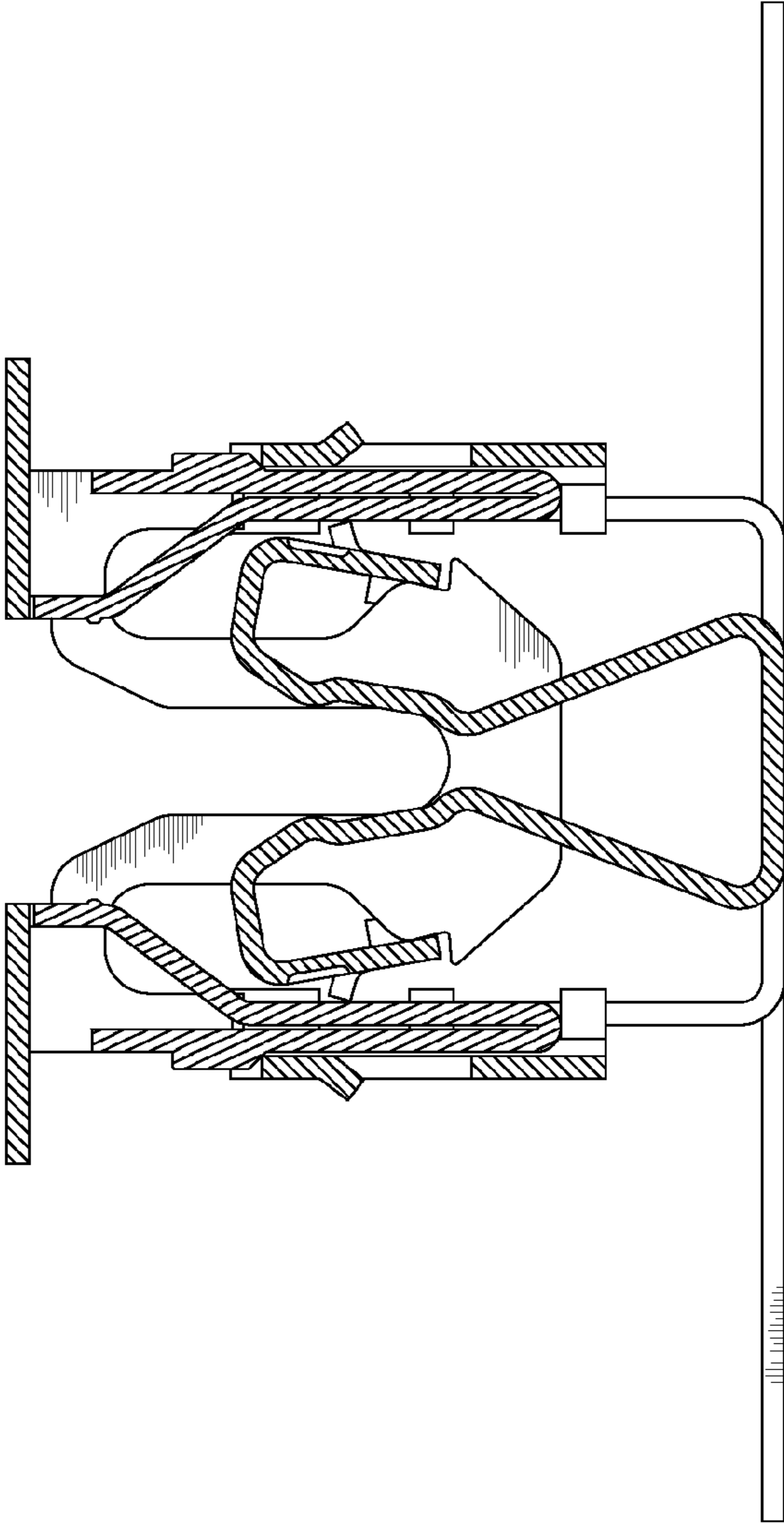


FIG.11

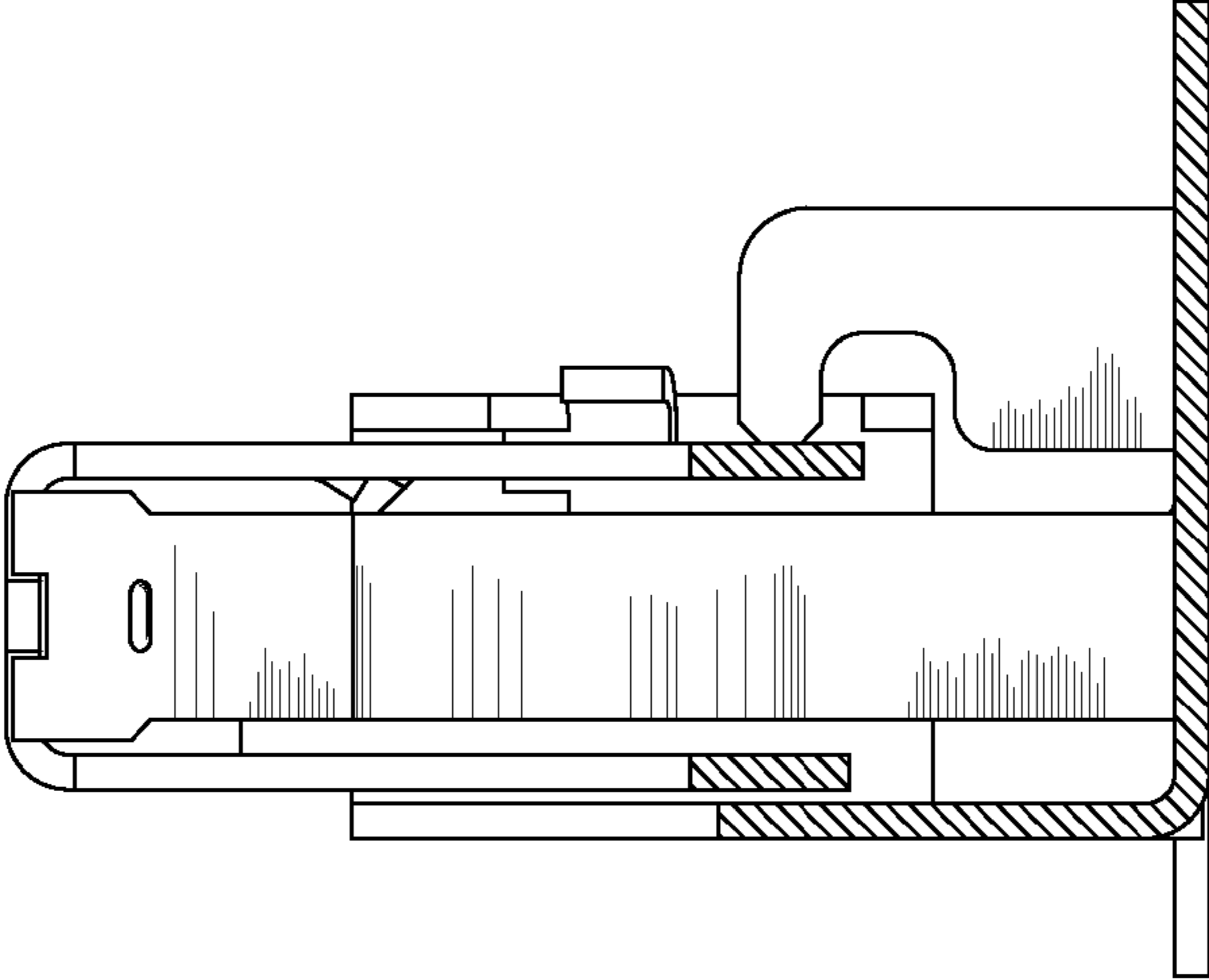


FIG.12