



US00D631188S

(12) **United States Design Patent**
Lovegrove

(10) **Patent No.:** **US D631,188 S**
(45) **Date of Patent:** **** Jan. 18, 2011**

(54) **ORNAMENT FOR LIGHT TUBE**

(57) **CLAIM**

(76) Inventor: **Ross Lovegrove**, 21 Powis Mews,
London (GB) W11 1JN

The ornamental design for an ornament for light tube, as shown and described.

(**) Term: **14 Years**

DESCRIPTION

(21) Appl. No.: **29/347,682**

FIG. 1 is a perspective view taken from the front and bottom of an ornament for light tube showing a first embodiment of the design;

(22) Filed: **Apr. 9, 2010**

FIG. 2 is a perspective view taken from the front and top of the ornament for light tube of FIG. 1;

(30) **Foreign Application Priority Data**

Oct. 12, 2009 (EM) 110943

FIG. 3 is a front elevation view of the ornament for light tube of FIG. 1, the rear, right and left side elevation views being identical;

(51) **LOC (9) Cl.** **26-99**

(52) **U.S. Cl.** **D26/138**

FIG. 4 is a bottom plan view of the ornament for light tube of FIG. 1;

(58) **Field of Classification Search** D26/136,
D26/63, 28, 60, 61, 142, 138, 141, 120, 118,
D26/88, 40, 37, 41, 42, 81, 84, 85, 113, 2,
D26/3, 123; 362/105, 475, 473, 219, 240,
362/244, 246, 294, 249.01-249.11, 179;
D13/147, 179, 180, 108, 134; 315/58; D34/27;
D9/425, 431, 756; D8/354; 40/553, 617,
40/492; D20/10, 42; D25/124; 439/22

FIG. 5 is a perspective view taken from the front and bottom of an ornament for light tube showing a second embodiment of the design;

See application file for complete search history.

FIG. 6 is a perspective view taken from the front and top of the ornament for light tube of FIG. 5;

(56) **References Cited**

U.S. PATENT DOCUMENTS

D41,377 S * 5/1911 Macbeth D26/88
D45,461 S * 3/1914 Humphrey D26/88
D45,539 S * 3/1914 Meyers D26/90

FIG. 7 is a front elevation of the ornament for light tube of FIG. 5, the rear, right and left side elevation views being identical;

FIG. 8 is a bottom plan view of the ornament for light tube of FIG. 5;

FIG. 9 is a perspective view taken from the front and bottom of an ornament for light tube showing a third embodiment of the design;

FIG. 10 is a perspective view taken from the front and top of the ornament for light tube of FIG. 9;

FIG. 11 is a front elevation of the ornament for light tube of FIG. 9, the rear, right and left side elevation views being identical; and,

FIG. 12 is a bottom plan view of the ornament for light tube of FIG. 9.

The broken lines shown in the drawings are included for the purpose of illustrating environment and form no part of the claimed design.

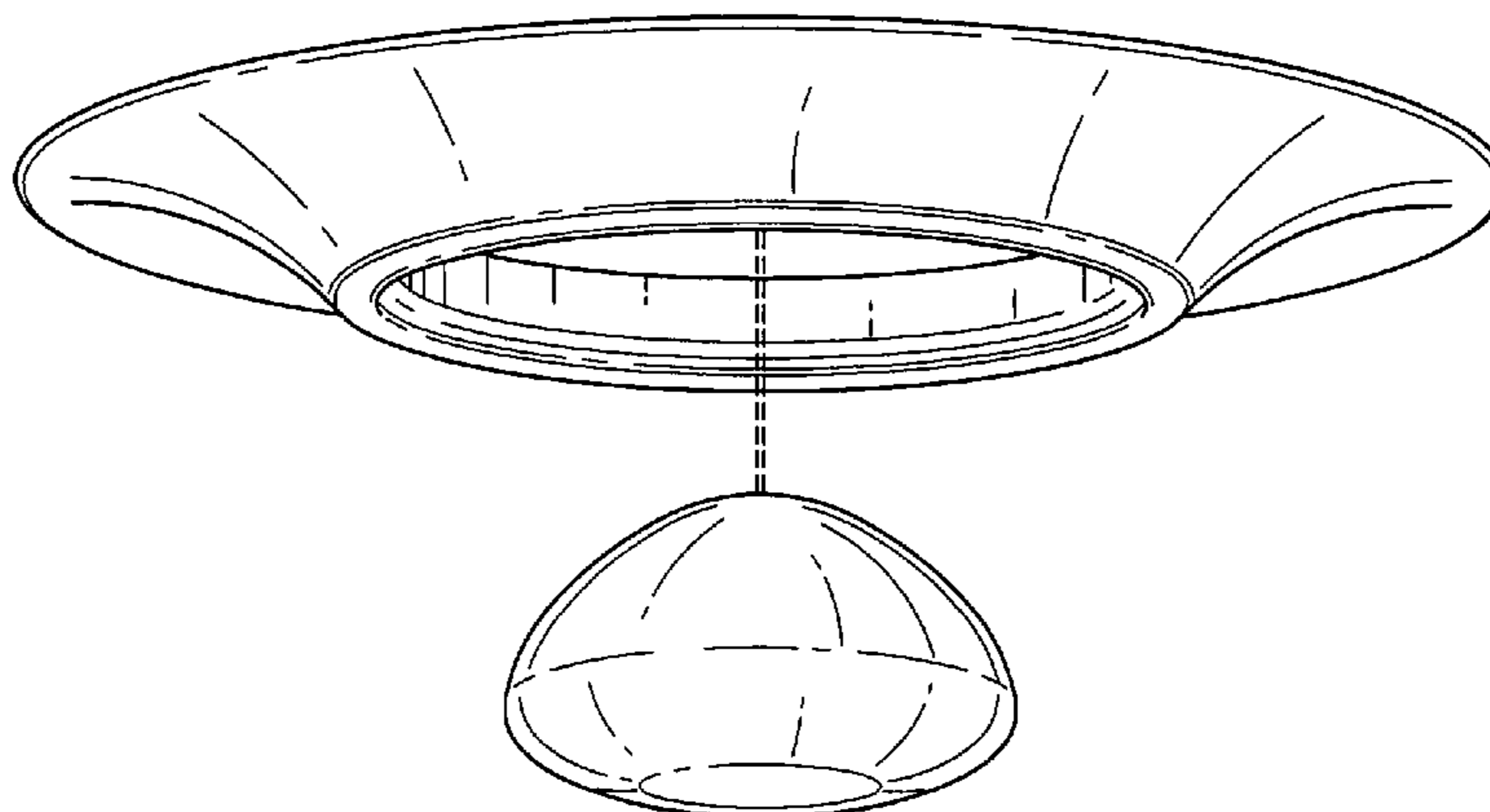
(Continued)

Primary Examiner—Cathron C Brooks

Assistant Examiner—Kevin K Rudzinski

(74) *Attorney, Agent, or Firm*—Merek, Blackmon & Voorhees, LLC

1 Claim, 6 Drawing Sheets



US D631,188 S

Page 2

U.S. PATENT DOCUMENTS

D48,358 S *	1/1916	Adam	D26/88	5,317,493 A *	5/1994	Muller et al.	362/407
D102,438 S *	12/1936	Montmartin	D26/88	D399,020 S *	9/1998	Lo	D26/90
D103,428 S *	3/1937	Guth	D26/88	D459,526 S *	6/2002	Dolan	D26/88
D110,505 S *	7/1938	Stewart	D26/86	D469,562 S *	1/2003	Crasset	D26/90
D119,203 S *	2/1940	Krueger	D26/88	6,814,471 B1 *	11/2004	Stoner	362/364
D264,136 S *	4/1982	Castiglioni	D26/85	D548,830 S *	8/2007	Pickett	D23/411
D303,435 S *	9/1989	Mason	D26/86	D567,986 S *	4/2008	Meise et al.	D26/84
D337,392 S *	7/1993	Lin	D26/106	D578,244 S *	10/2008	Porter	D26/90
D341,442 S *	11/1993	Shapiro	D26/118	D588,300 S *	3/2009	Sabernig	D26/89

* cited by examiner

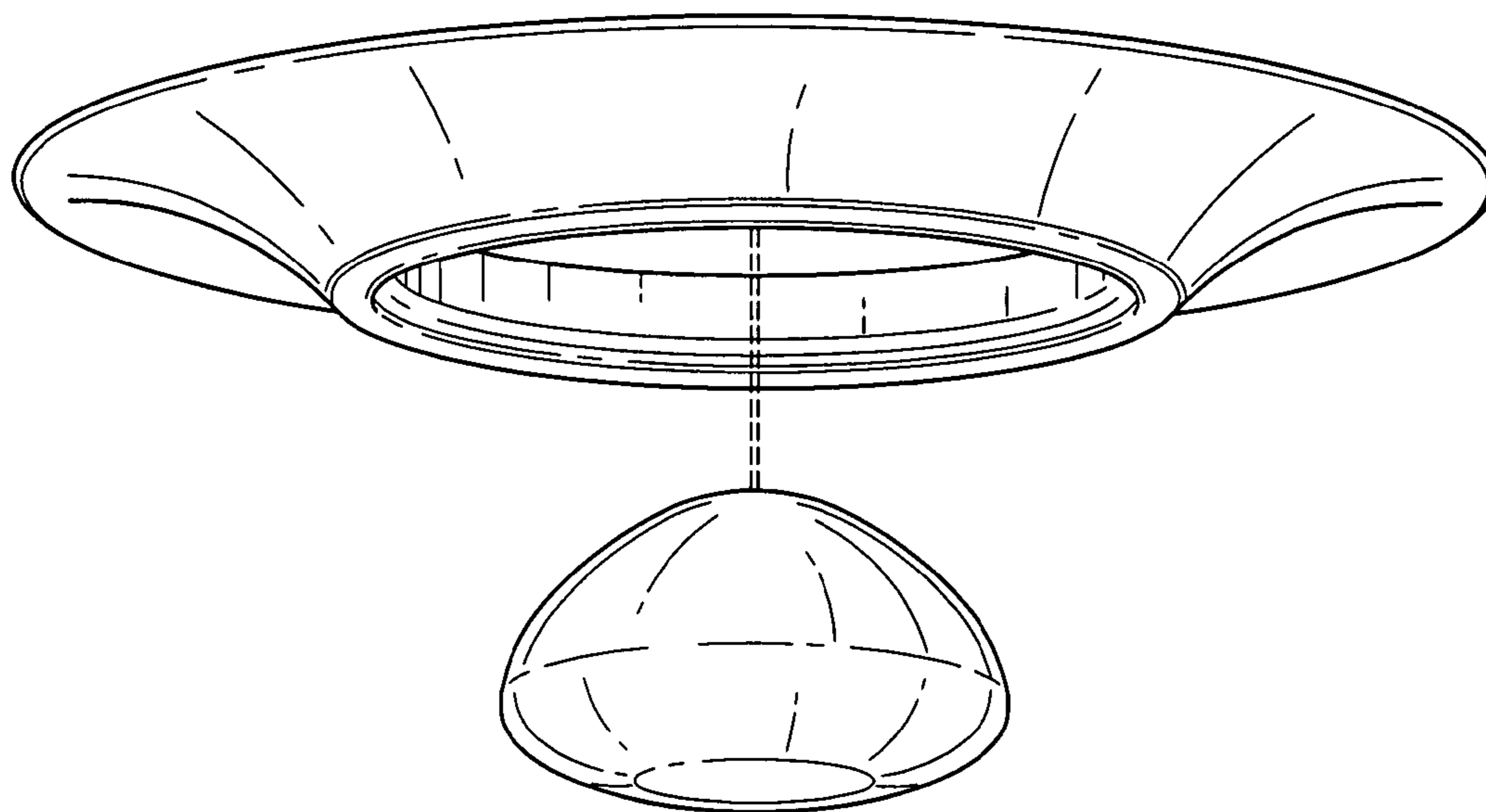


FIG. 1

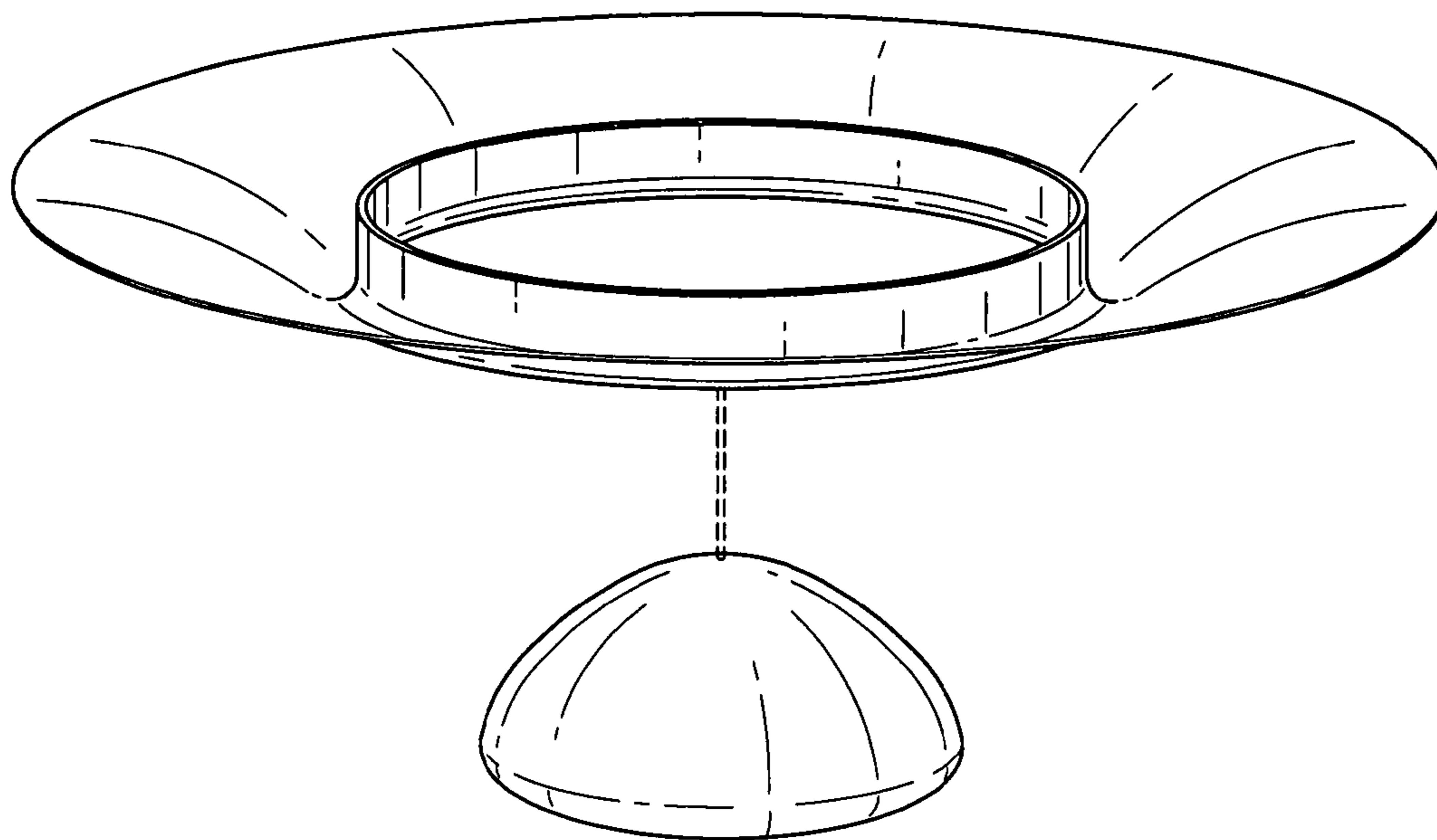


FIG. 2

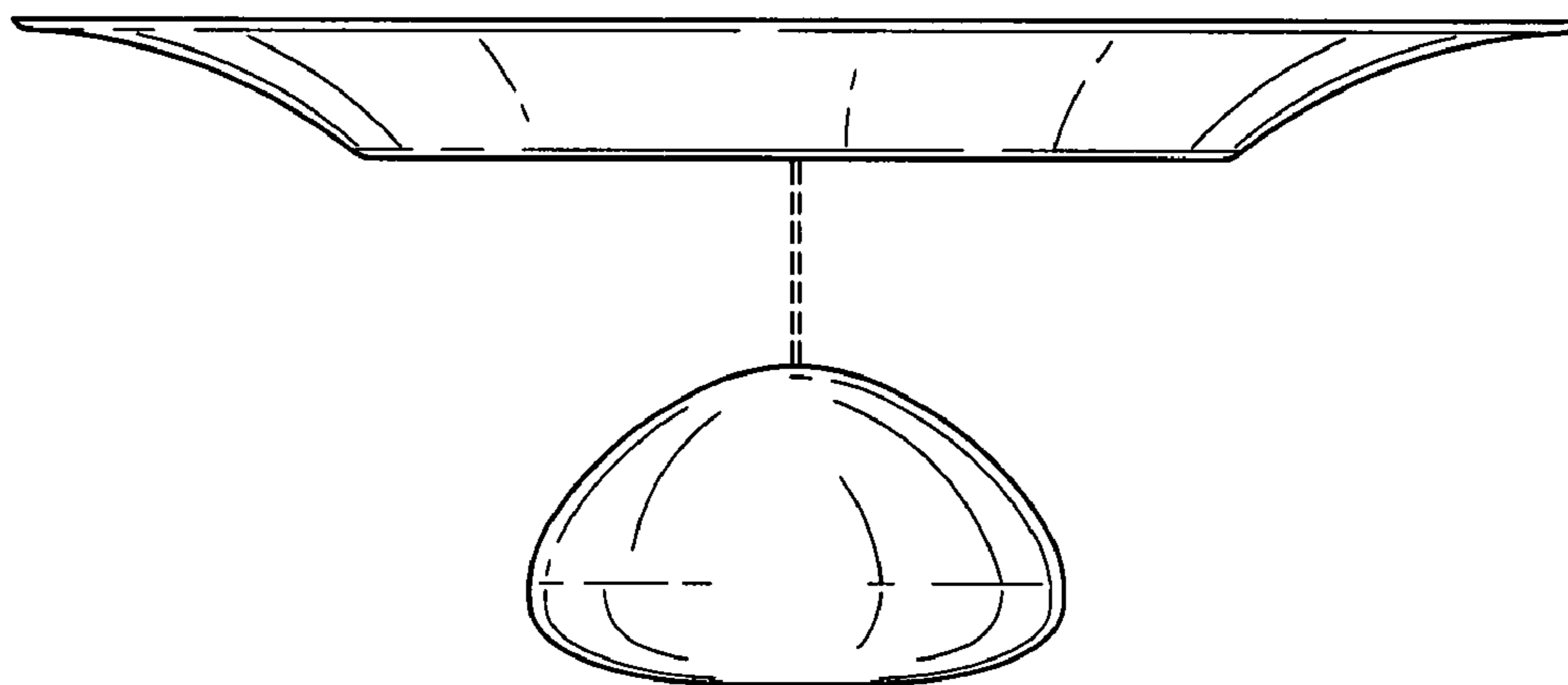


FIG. 3

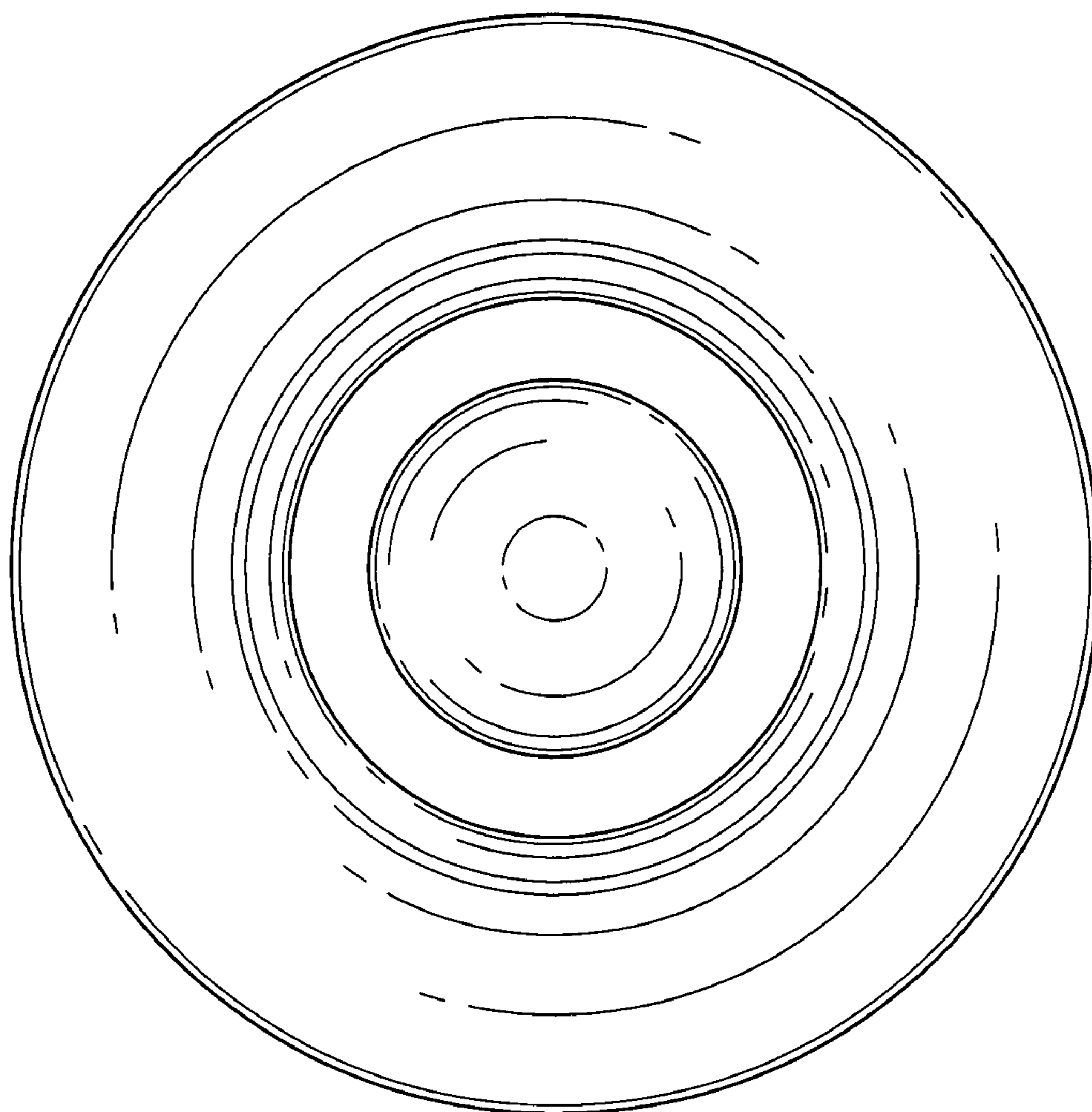


FIG. 4

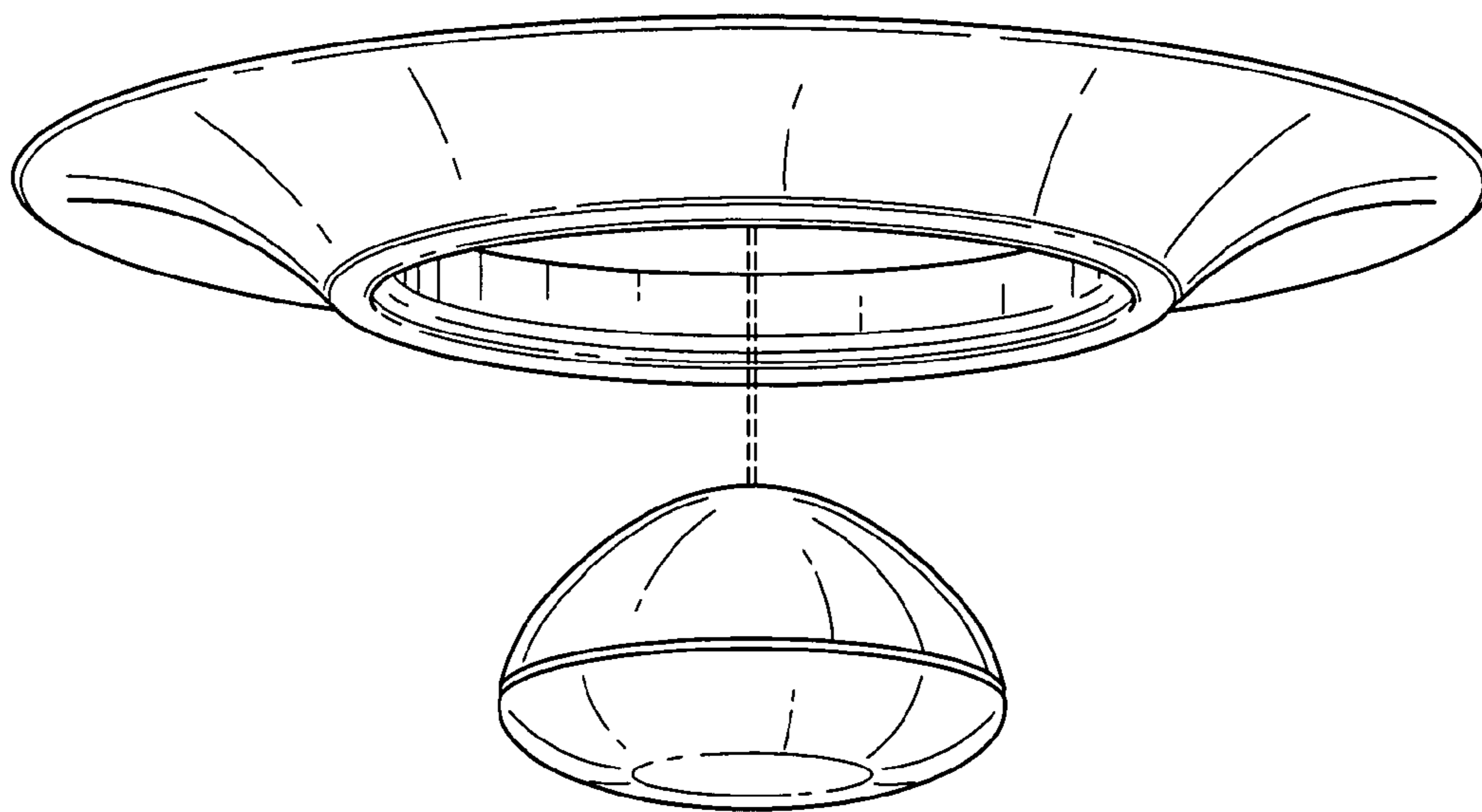


FIG. 5

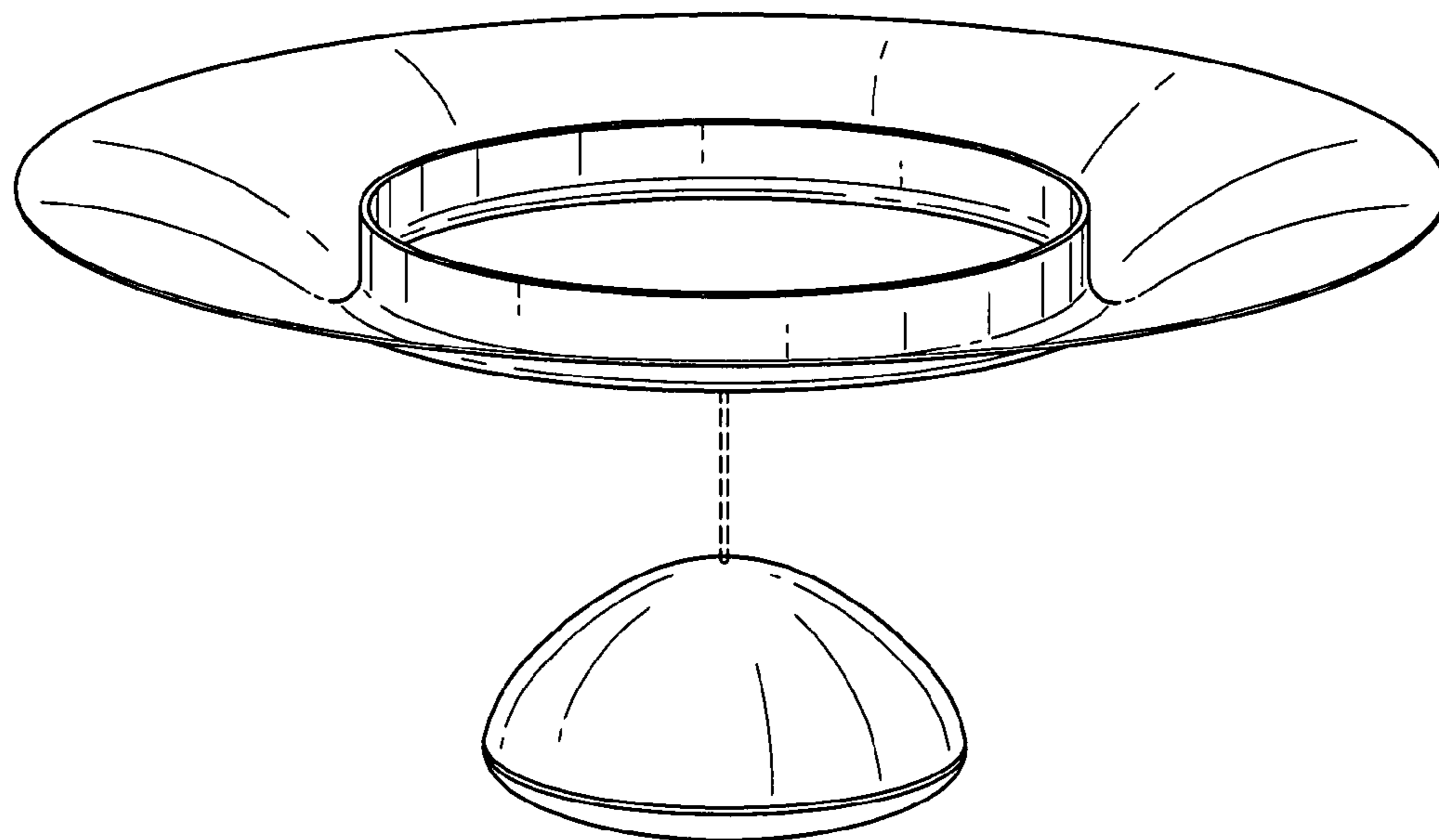


FIG. 6

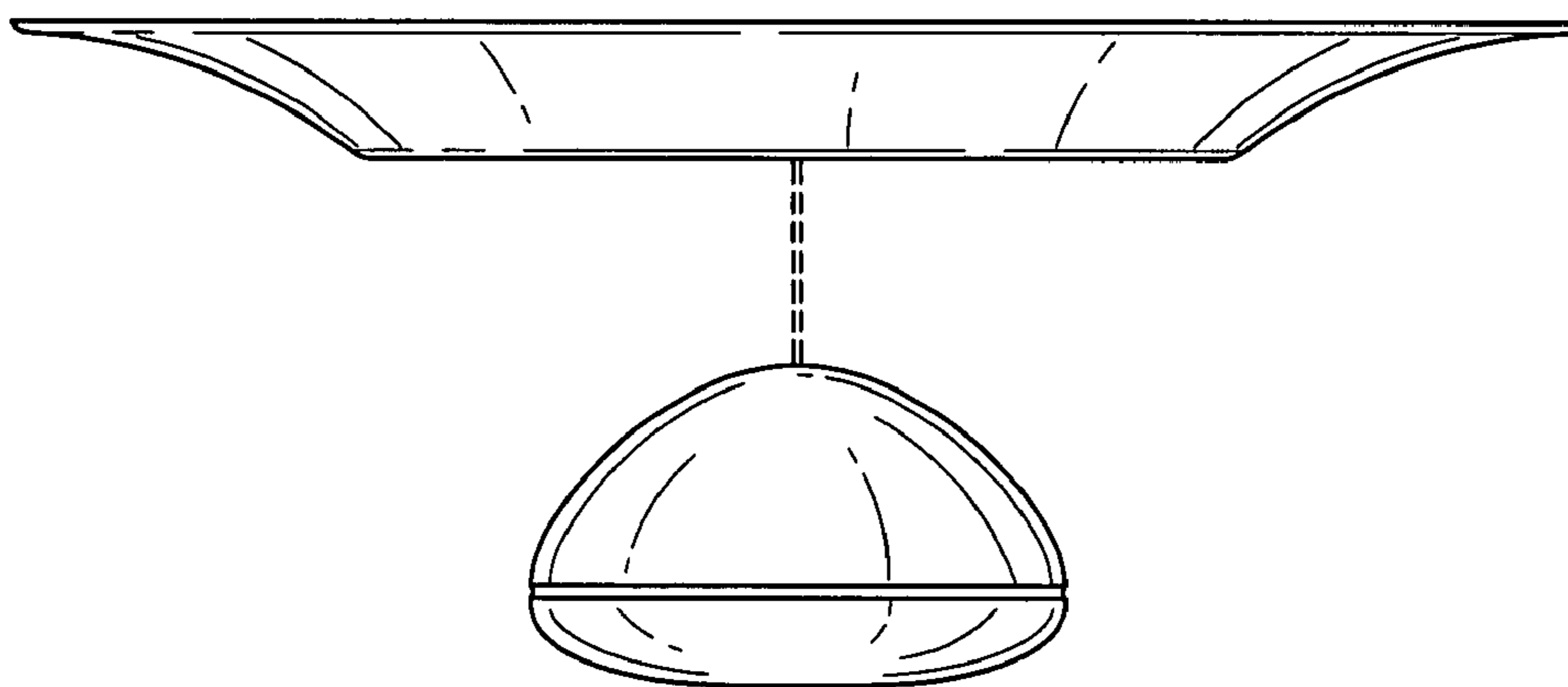


FIG. 7

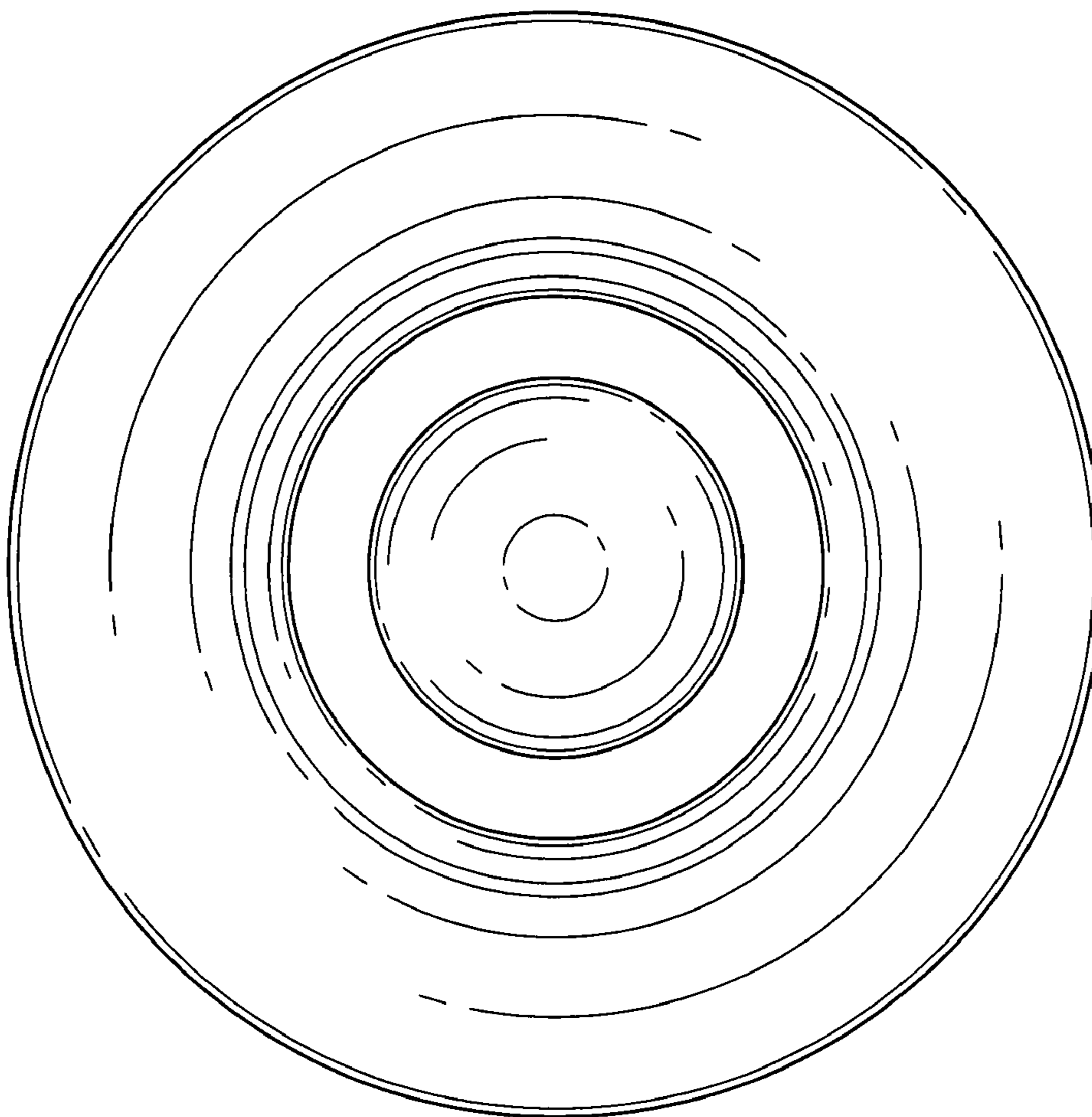


FIG. 8

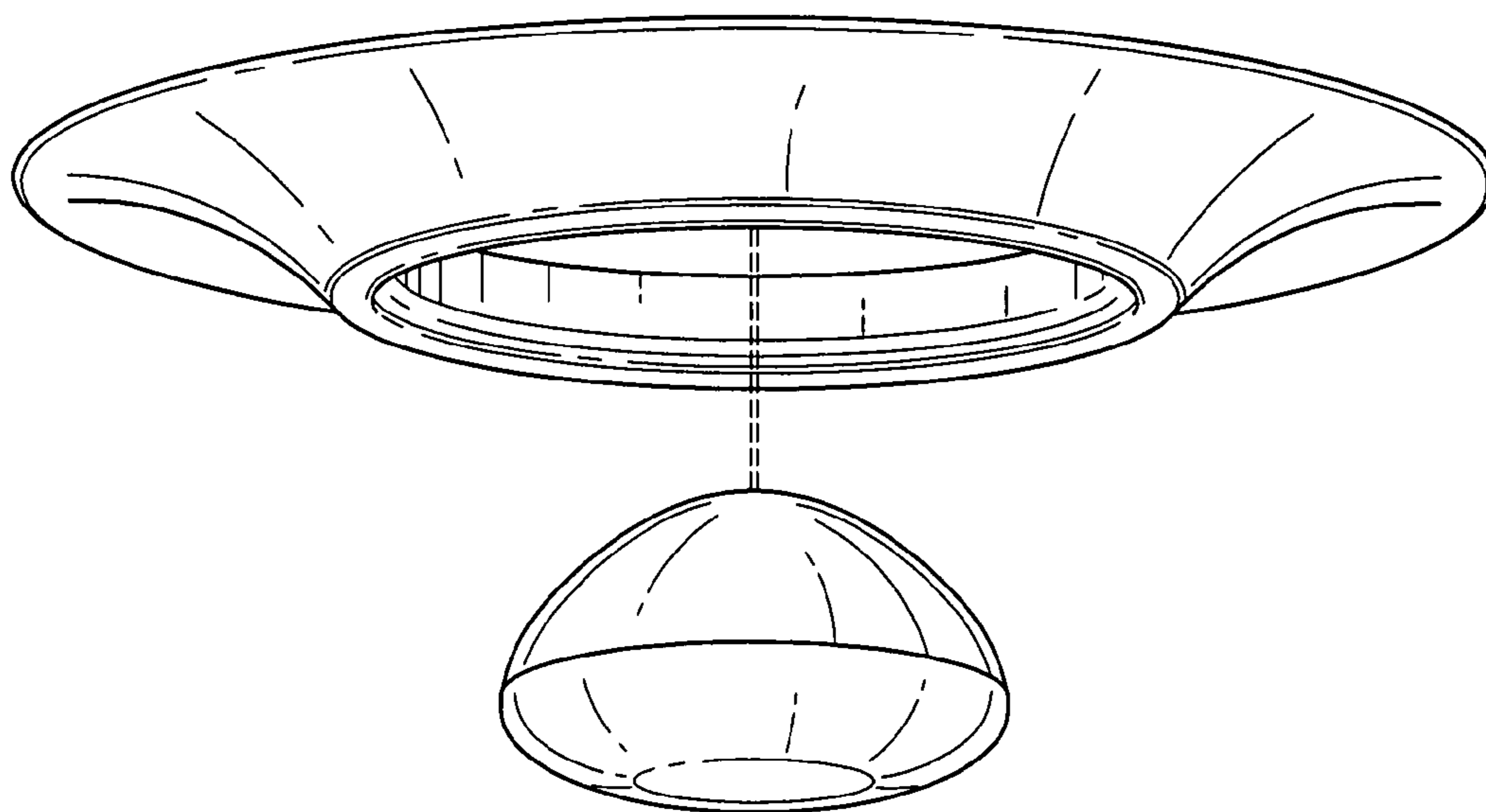


FIG. 9

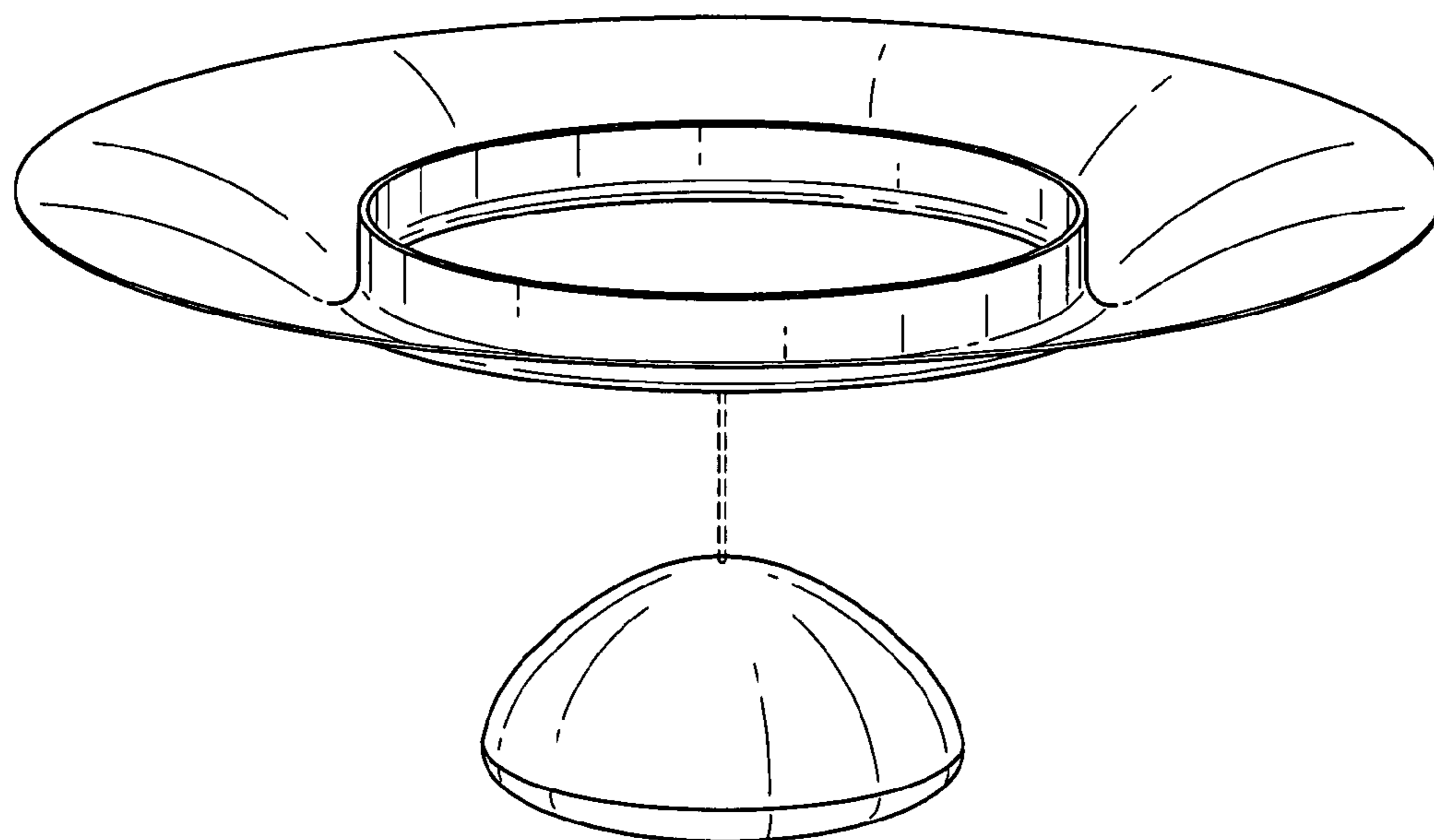


FIG. 10

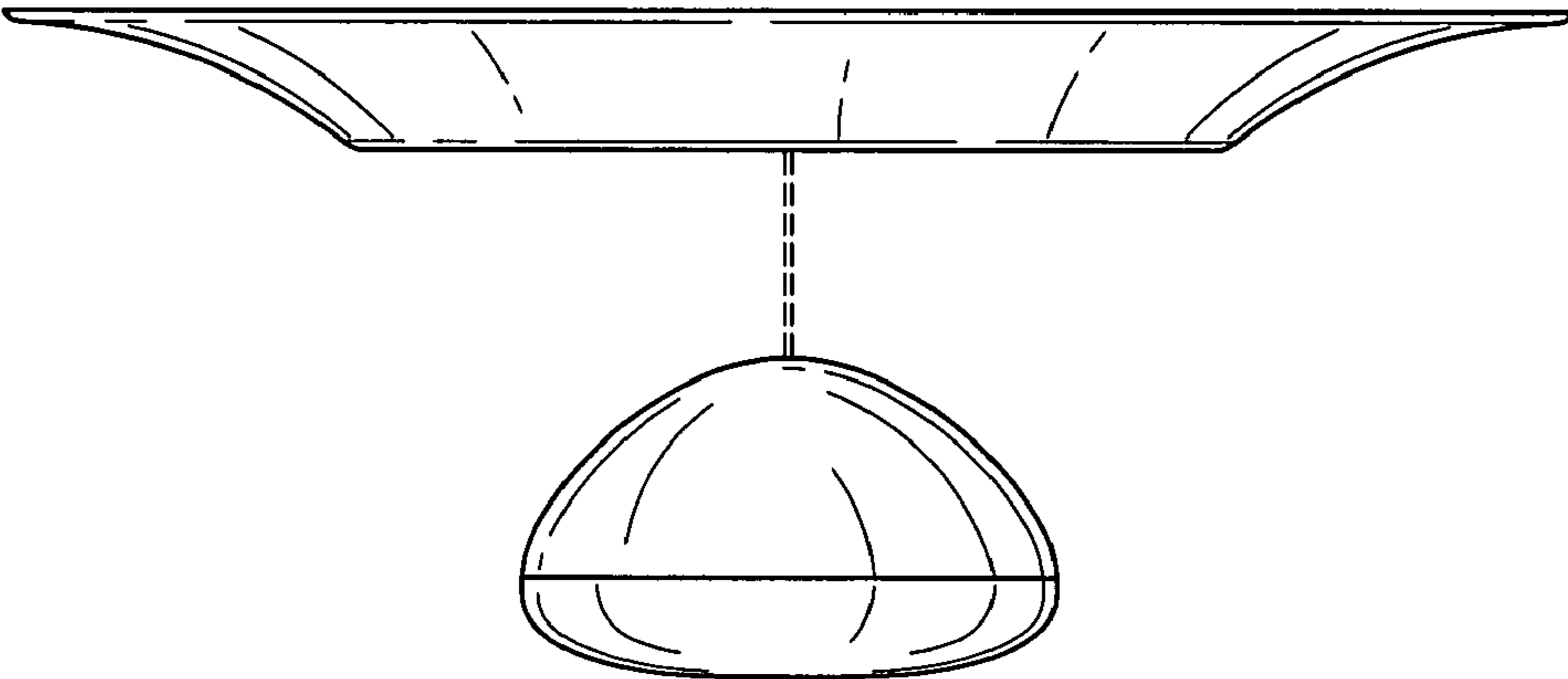


FIG. 11

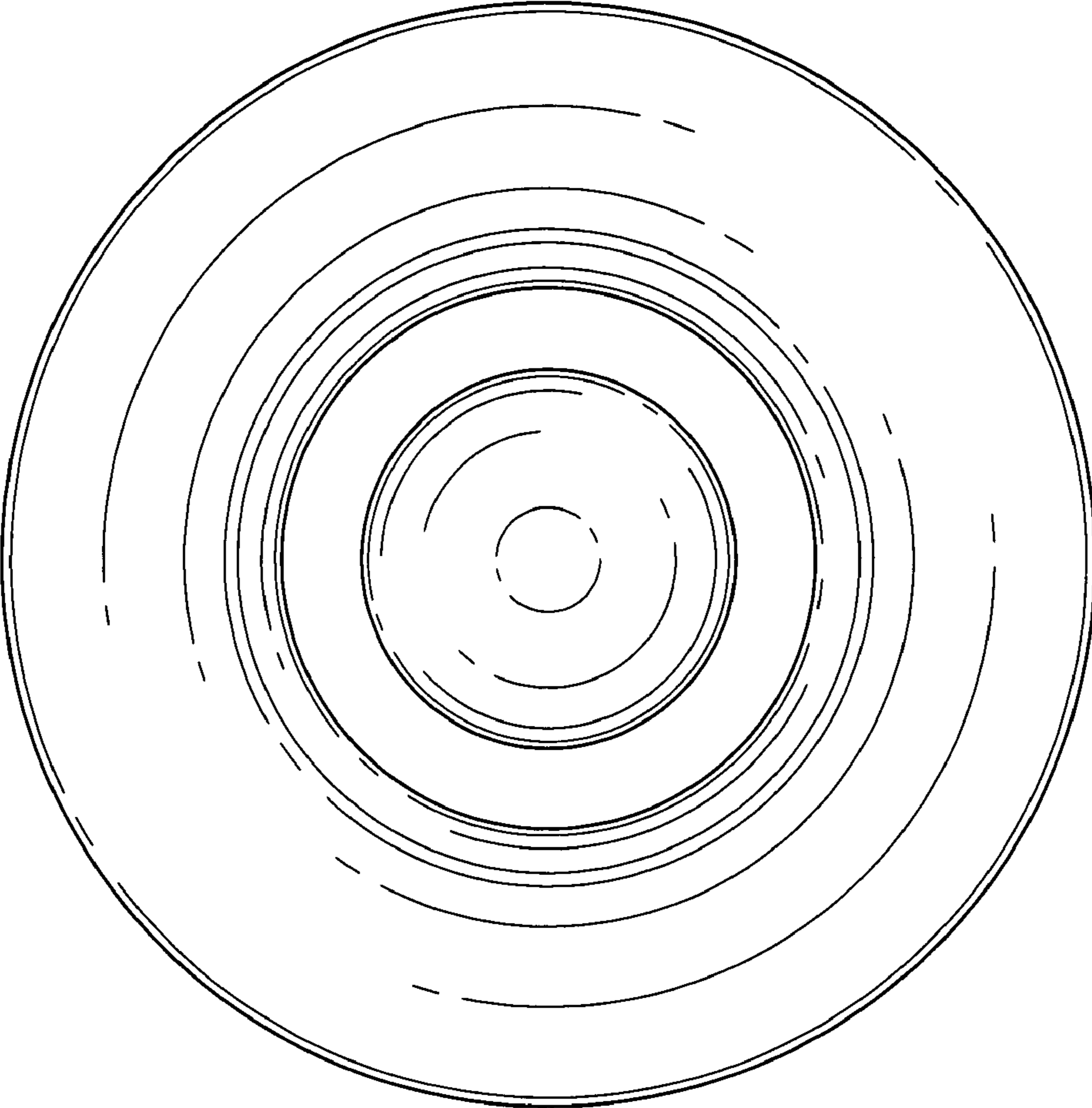


FIG. 12

UNITED STATES PATENT AND TRADEMARK OFFICE
CERTIFICATE OF CORRECTION

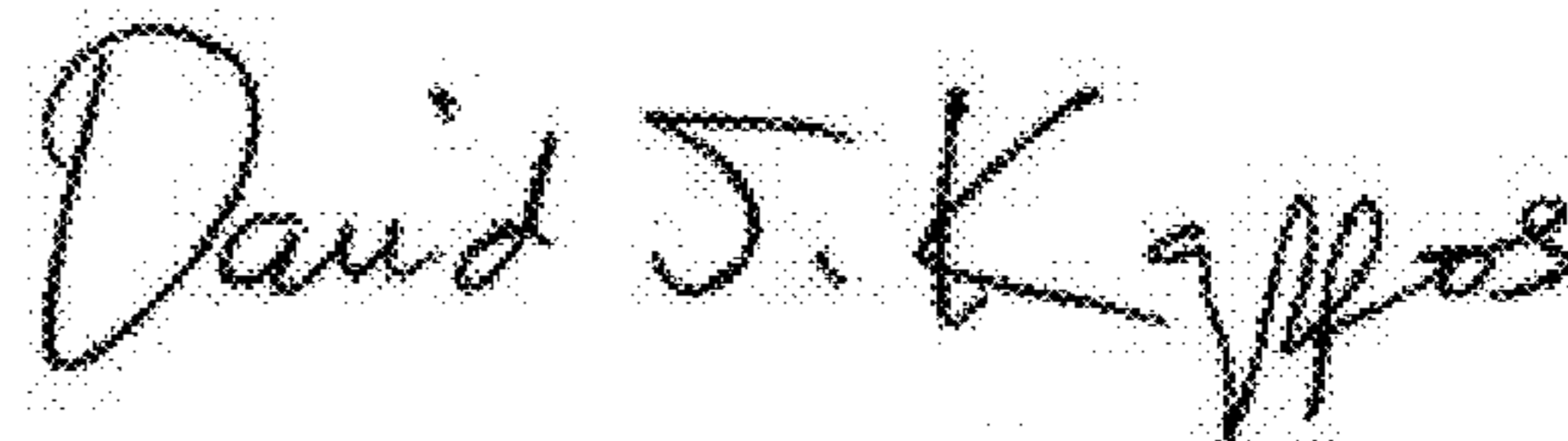
PATENT NO. : D631,188 S
APPLICATION NO. : 29/347682
DATED : January 18, 2011
INVENTOR(S) : Lovegrove

Page 1 of 1

It is certified that error appears in the above-identified patent and that said Letters Patent is hereby corrected as shown below:

Column 1, Item 30, Foreign Application Priority Data, "110943" should be -- 001622507 --

Signed and Sealed this
Seventeenth Day of January, 2012

A handwritten signature in black ink that reads "David J. Kappos". The signature is written in a cursive, slightly slanted style.

David J. Kappos
Director of the United States Patent and Trademark Office