



US00D631187S

(12) **United States Design Patent**
Blum et al.

(10) **Patent No.:** **US D631,187 S**
(45) **Date of Patent:** **** Jan. 18, 2011**

(54) **OLED LUMINAIRE**
(75) Inventors: **Darren Blum**, Foster City, CA (US);
Peter Y. Y. Ngai, Alamo, CA (US);
Michael Trung Tran, Oakland, CA (US)

D595,887 S * 7/2009 Blom D26/76
D601,742 S * 10/2009 Sabernig D26/84
D601,745 S * 10/2009 Sabernig D26/90
D613,445 S * 4/2010 Beghelli D26/74
2007/0023769 A1 * 2/2007 Nishimoto et al. 257/88

(73) Assignee: **ABL IP Holding, LLC**, Conyers, GA (US)

* cited by examiner

(**) Term: **14 Years**

Primary Examiner—Cathron C Brooks

Assistant Examiner—Kevin K Rudzinski

(21) Appl. No.: **29/361,229**

(74) *Attorney, Agent, or Firm*—Beeson Skinner Beverly, LLP

(22) Filed: **May 7, 2010**

(57) **CLAIM**

The ornamental design for an OLED luminaire, as shown and described.

(51) **LOC (9) Cl.** **26-99**

(52) **U.S. Cl.** **D26/120**

(58) **Field of Classification Search** D26/136,
D26/63, 28, 60, 61, 142, 138, 141, 120, 118,
D26/88, 40, 37, 41, 42, 81, 84, 85, 113, 2,
D26/3, 123; 362/105, 475, 473, 219, 240,
362/244, 246, 294, 249.01–249.11, 179;
D13/147, 179, 180, 108, 134; 315/58; D34/27;
D9/425, 431, 756; D8/354; 40/553, 617,
40/492; D20/10, 42; D25/124; 439/22

See application file for complete search history.

DESCRIPTION

FIG. 1 is a bottom perspective view of an OLED luminaire showing our new design;

FIG. 2 is a top perspective view thereof;

FIG. 3 is a side elevational view thereof; the other three sides being identical thereto;

FIG. 4 is a top plan view thereof; and,

FIG. 5 is a bottom plan view thereof.

“OLED” means Organic Light-Emitting Diode. The characteristic feature of the design resides in the overall shape of the OLED luminaire in combination with an array of OLED light sources on the bottom of the luminaire.

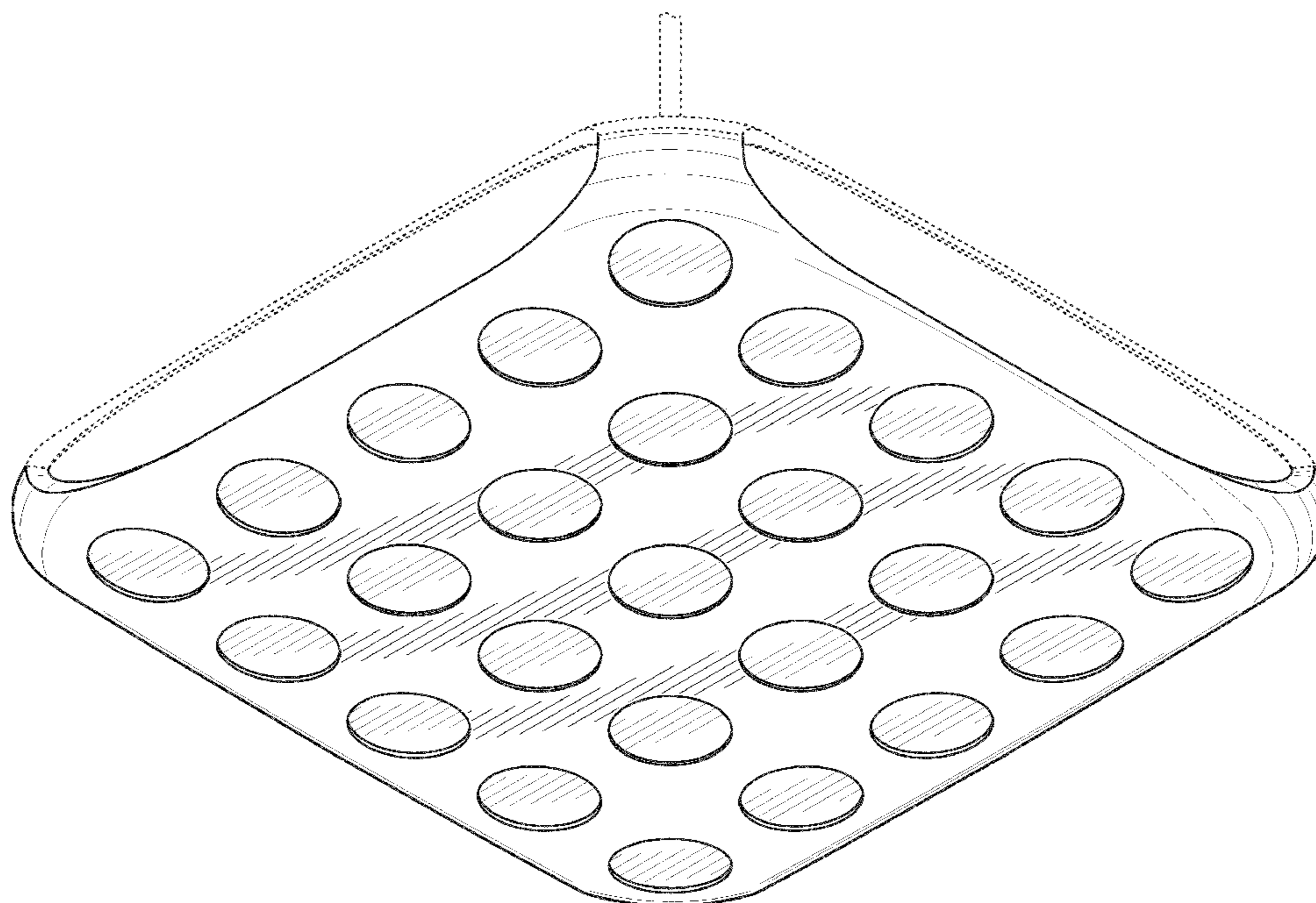
The broken line showing of the top of the luminaire including the OLED light sources thereon, and the broken line showing of suspension elements for the OLED luminaire, is provided to show environmental structure and forms no part of the claimed design.

(56) **References Cited**

U.S. PATENT DOCUMENTS

D99,847 S * 6/1936 Abramson D26/131
D139,670 S * 12/1944 Lippincott D26/76
D150,095 S * 6/1948 Novin D26/131
6,788,541 B1 * 9/2004 Hsiung 361/719
D534,301 S * 12/2006 Roland D26/118
D539,943 S * 4/2007 Egawa et al. D26/24
D541,761 S * 5/2007 Saito et al. D13/180
D580,087 S * 11/2008 Couture et al. D26/76

1 Claim, 4 Drawing Sheets



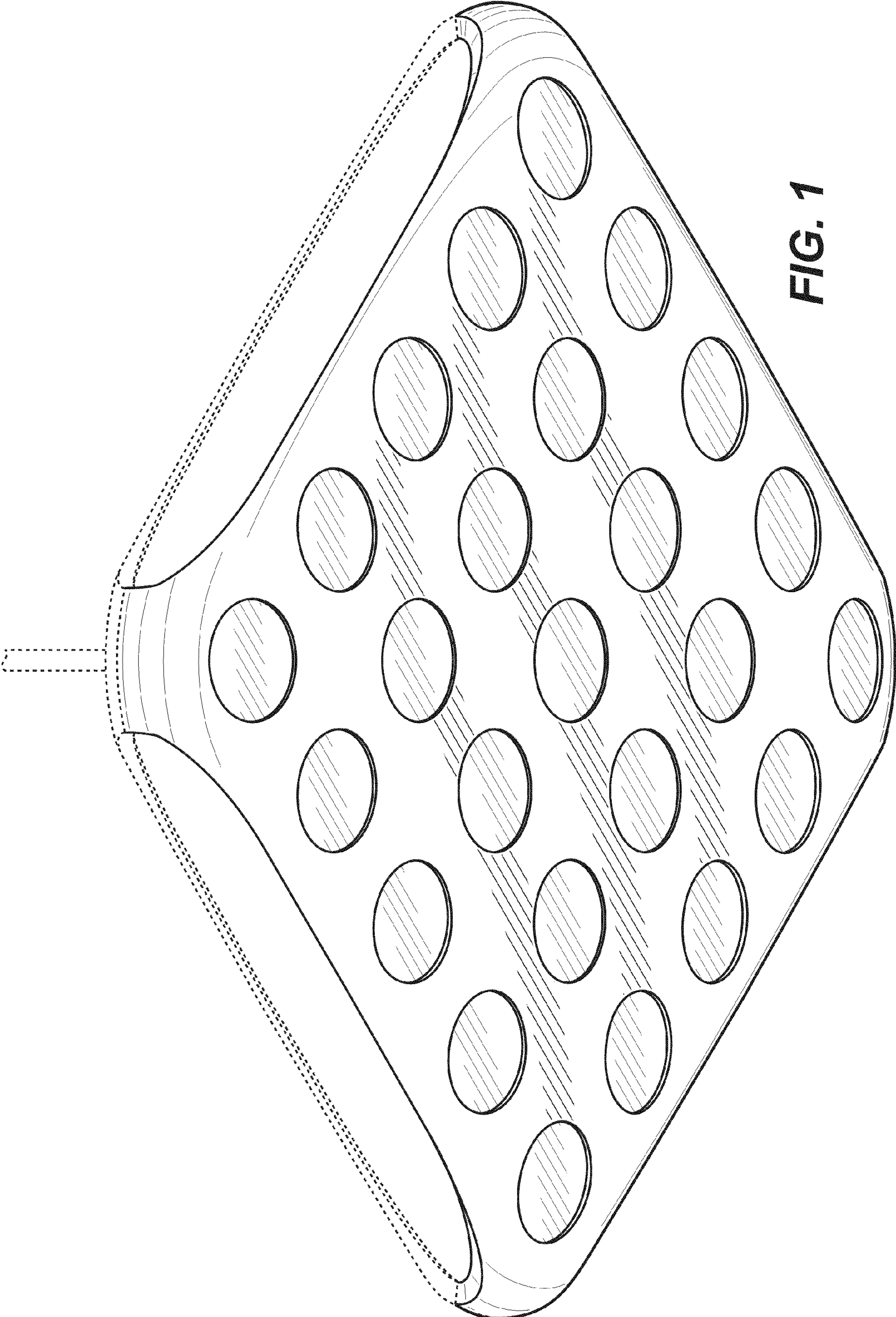


FIG. 1

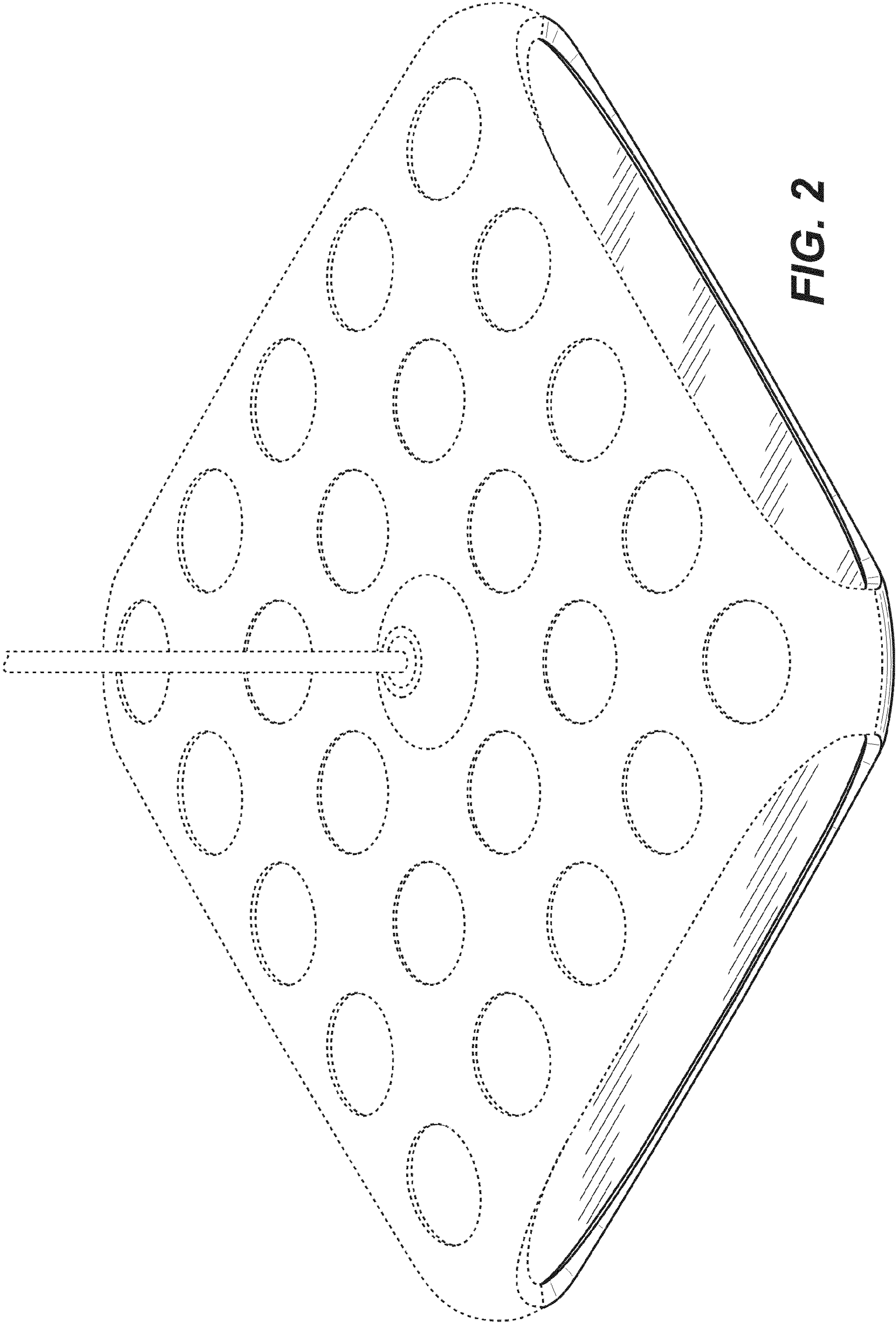


FIG. 2

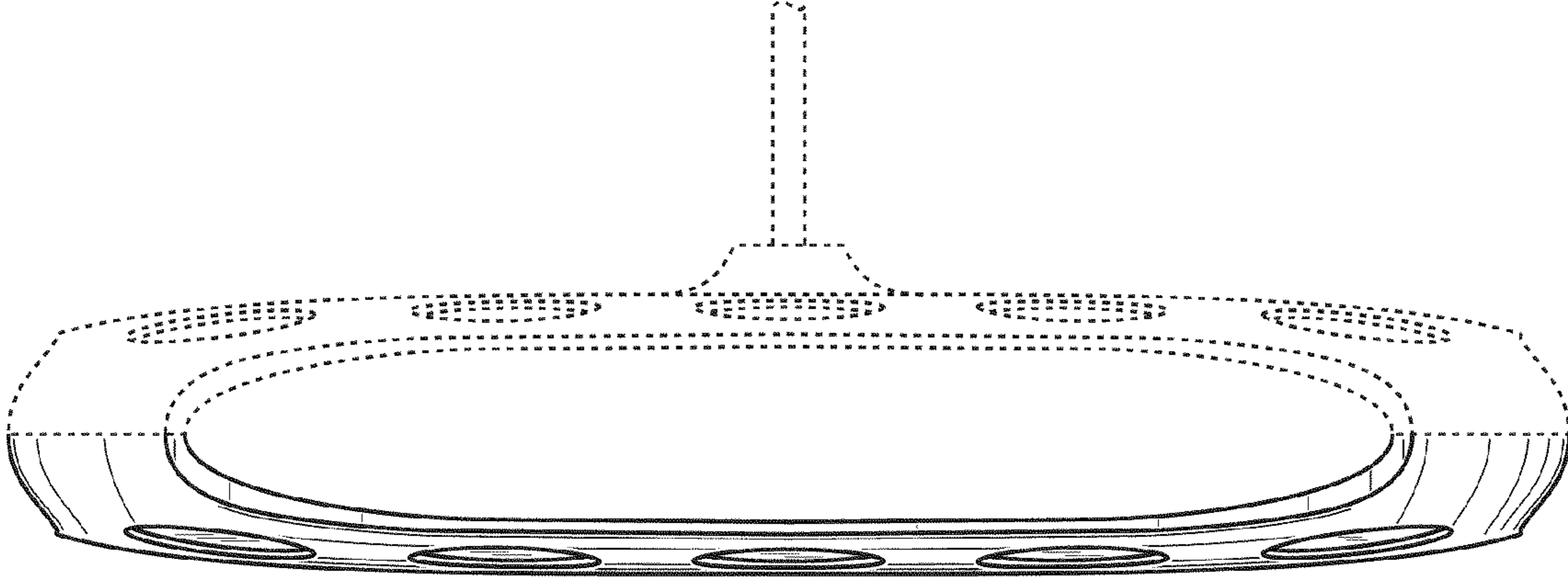


FIG. 3

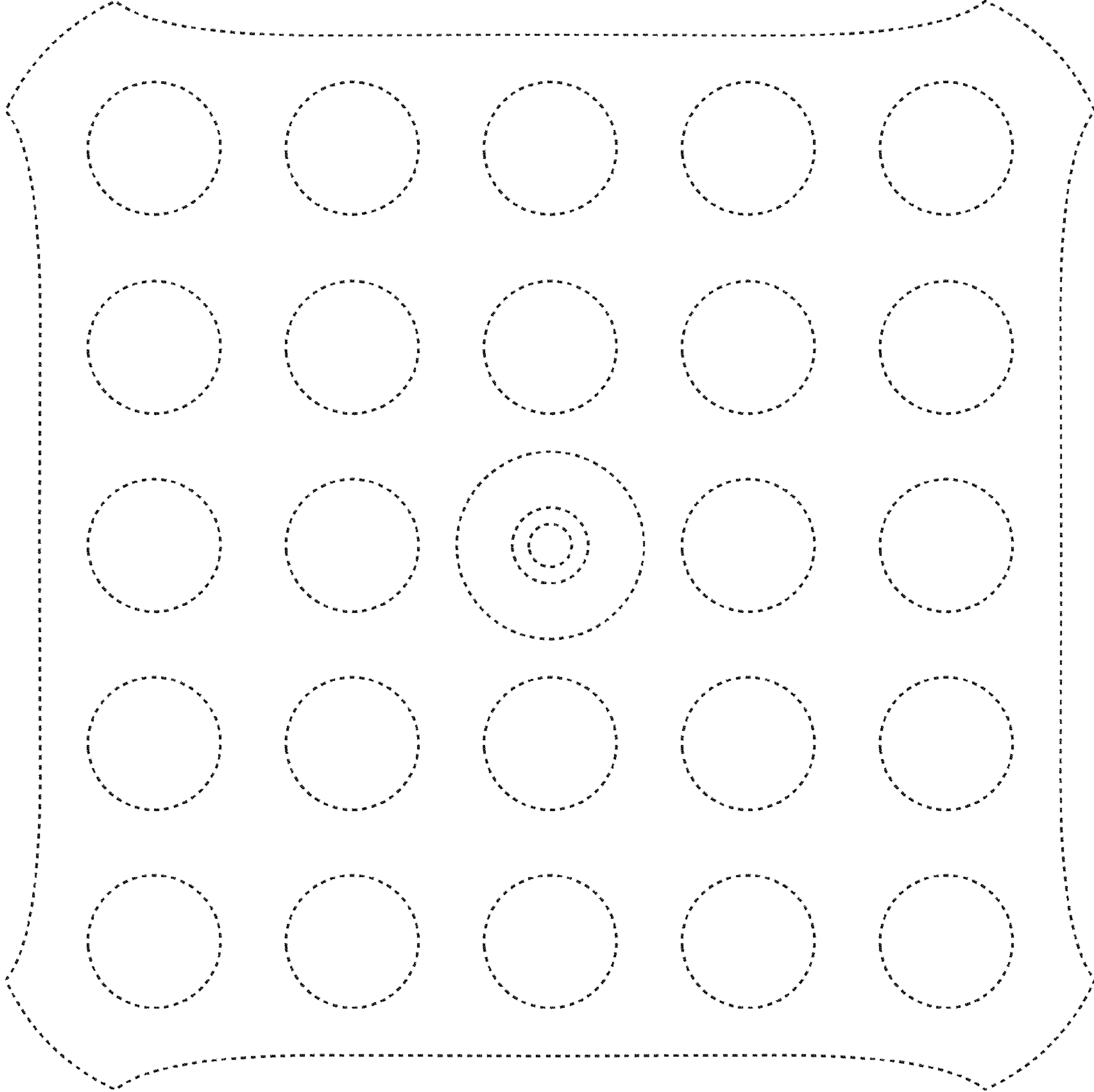


FIG. 4

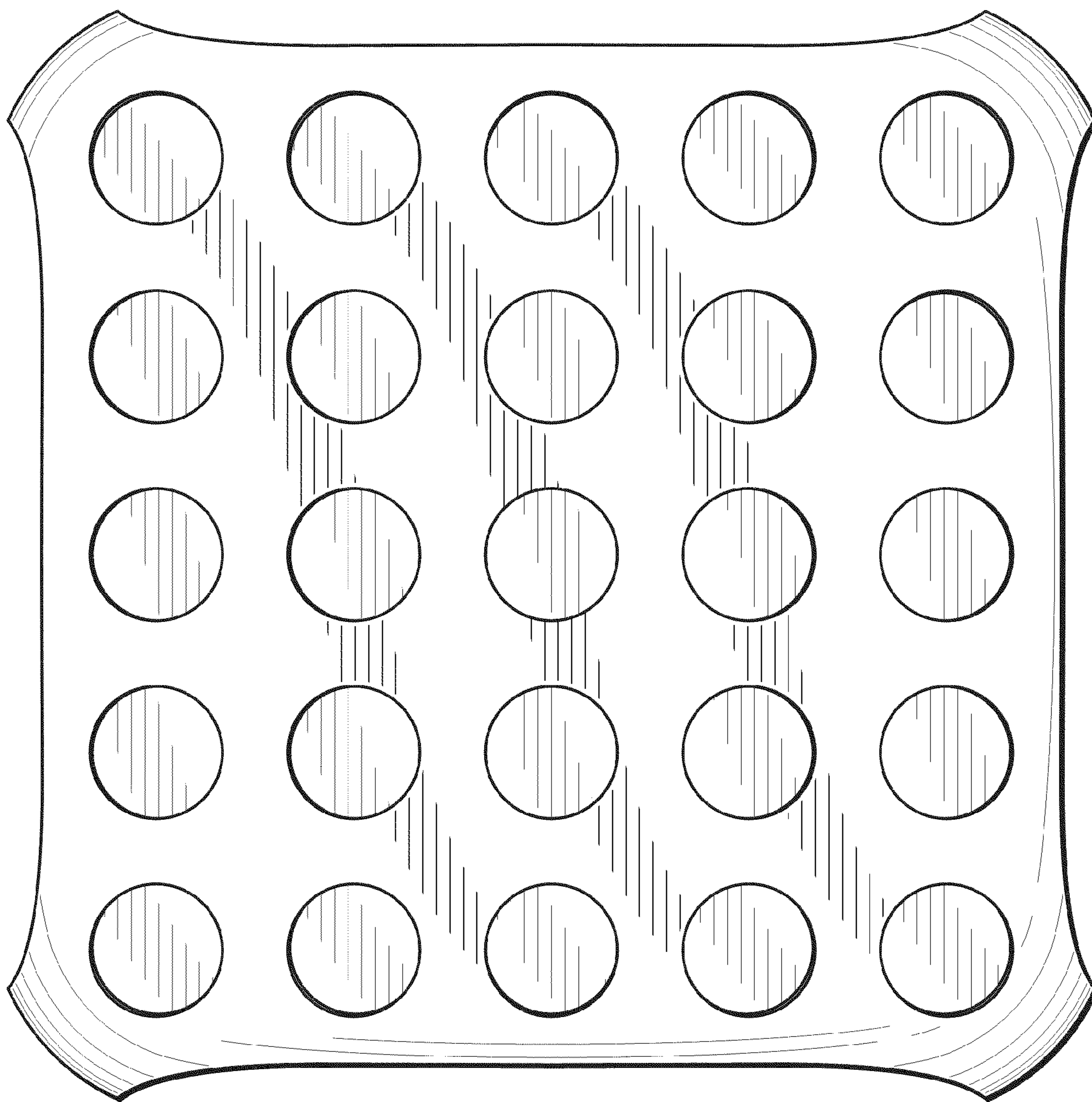


FIG. 5