



US00D631186S

(12) **United States Design Patent**
Chen et al.

(10) **Patent No.:** **US D631,186 S**
(45) **Date of Patent:** **** Jan. 18, 2011**

- (54) **LED LENS**
- (75) Inventors: **Chin-Chung Chen**, Taipei Hsien (TW);
Shi-Yu Song, Shenzhen (CN)
- (73) Assignee: **Foxconn Technology Co., Ltd.**,
Tucheng, Taipei County (TW)
- (**) Term: **14 Years**
- (21) Appl. No.: **29/353,861**
- (22) Filed: **Jan. 15, 2010**
- (51) **LOC (9) Cl.** **26-99**
- (52) **U.S. Cl.** **D26/120**
- (58) **Field of Classification Search** D26/120,
D26/144, 88, 71, 152, 124, 113, 118, 128,
D26/135, 121, 25, 27, 72, 78, 132, 137, 74,
D26/77, 80, 85, 86, 90, 119, 122, 123, 125,
D26/127, 129, 130, 83, 28; D16/135, 101;
D10/353; D13/156, 180, 133, 110, 147,
D13/134; 362/364, 365, 147, 235, 257, 290,
362/296, 330, 335, 351, 354, 355, 404; D9/418;
439/552, 121

See application file for complete search history.

(56) **References Cited**

U.S. PATENT DOCUMENTS

- D140,840 S * 4/1945 Cressaty D26/124
- D255,883 S * 7/1980 Ferenc D10/121
- D283,555 S * 4/1986 Levi D26/85
- D297,717 S * 9/1988 Chu D10/104
- 5,905,599 A * 5/1999 Nomura et al. 359/819
- 6,034,827 A * 3/2000 Nomura et al. 359/811
- 6,055,111 A * 4/2000 Nomura et al. 359/642
- D465,599 S * 11/2002 Thompson D26/89
- 6,474,831 B1 * 11/2002 Ruuttu et al. 362/148
- D491,897 S * 6/2004 Kamada D13/180
- D491,898 S * 6/2004 Kamada D13/180
- D495,822 S * 9/2004 Yoneda D26/124
- D506,280 S * 6/2005 Chen D26/67
- D511,787 S * 11/2005 Galli D16/134
- 6,972,439 B1 * 12/2005 Kim et al. 257/98
- 7,019,334 B2 * 3/2006 Yatsuda et al. 257/98

- D520,143 S * 5/2006 Yoneda D24/209
- D523,826 S * 6/2006 Kamada D13/180
- D524,260 S * 7/2006 Ishizaka et al. D13/180
- D525,949 S * 8/2006 Kamada D13/180
- 7,153,000 B2 * 12/2006 Park et al. 362/268
- 7,217,004 B2 * 5/2007 Park et al. 362/240
- D555,111 S * 11/2007 Yen D13/180
- D563,588 S * 3/2008 Mullen D26/85
- D567,773 S * 4/2008 Kamada D13/180
- D568,830 S * 5/2008 Park et al. D13/180
- D573,554 S * 7/2008 Kobayakawa D13/180
- D576,569 S * 9/2008 Chen et al. D13/180
- D576,572 S * 9/2008 Hata et al. D13/180
- D579,424 S * 10/2008 Kim et al. D13/180
- 7,431,480 B2 * 10/2008 Godo 362/311.06
- 7,458,703 B2 * 12/2008 Han et al. 362/267
- D592,615 S * 5/2009 Imai et al. D13/180
- D596,592 S * 7/2009 Yong et al. D13/180

(Continued)

Primary Examiner—Cathron C Brooks
Assistant Examiner—Kevin K Rudzinski
(74) *Attorney, Agent, or Firm*—Frank R. Niranjan

(57) **CLAIM**

The ornamental design for an LED lens, as shown and described.

DESCRIPTION

FIG. 1 is a perspective view of an LED lens showing our new design.

FIG. 2 is a front elevational view thereof.

FIG. 3 is a rear elevational view thereof.

FIG. 4 is a left-side, elevational view thereof.

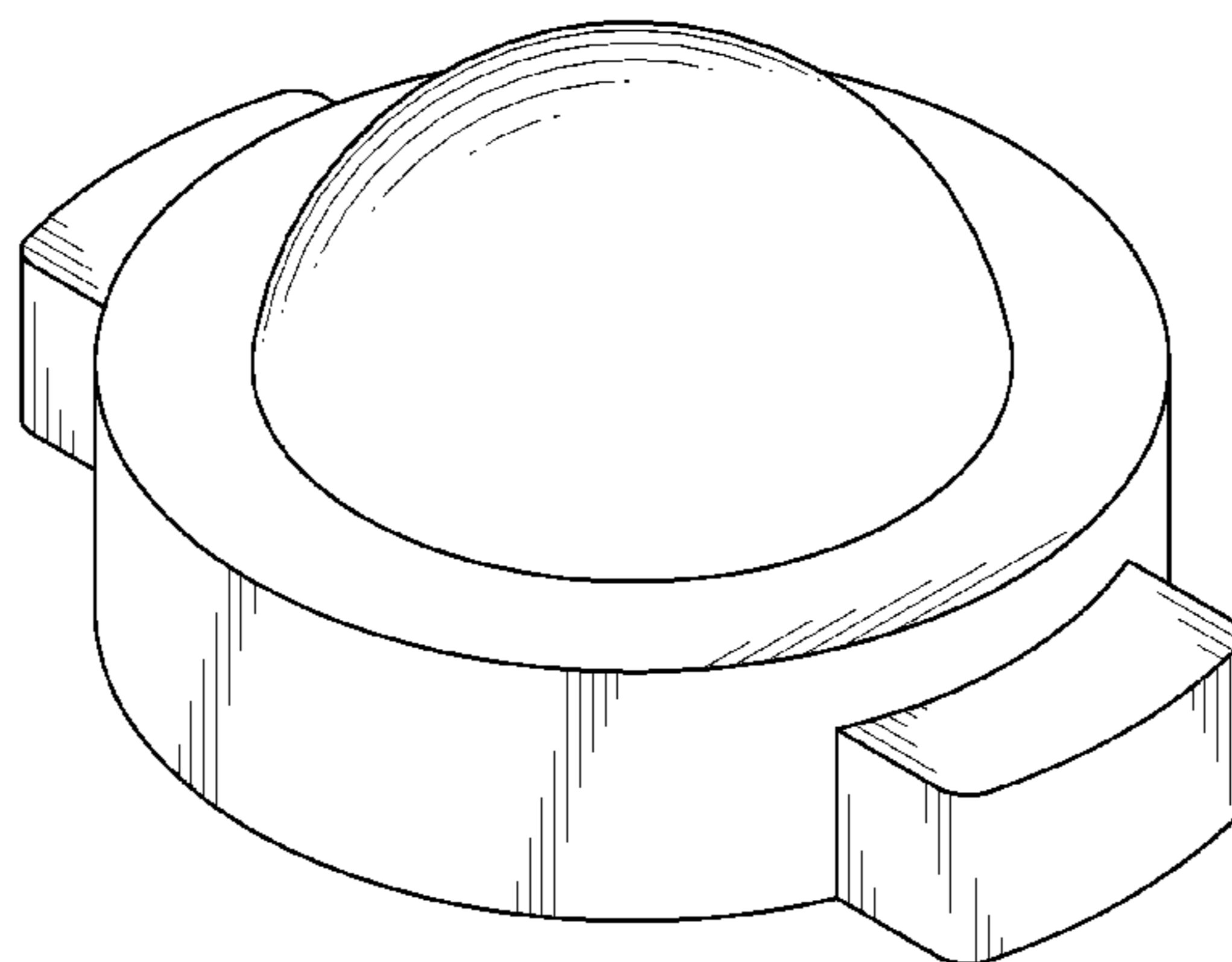
FIG. 5 is a right-side, elevational view thereof.

FIG. 6 is a top plan view thereof; and,

FIG. 7 is a bottom plan view thereof.

The broken lines shown are included for the purpose of illustrating environmental structures and forming no part of the claimed design.

1 Claim, 7 Drawing Sheets



US D631,186 S

Page 2

U.S. PATENT DOCUMENTS

2004/0212998	A1*	10/2004	Mohacsi	362/294	2007/0063321	A1*	3/2007	Han et al.	257/675
2005/0023538	A1*	2/2005	Ishii et al.	257/79	2007/0114559	A1*	5/2007	Sayers et al.	257/100
2006/0284209	A1*	12/2006	Kim et al.	257/100	2007/0126020	A1*	6/2007	Lin et al.	257/100
2006/0284305	A1*	12/2006	Yen et al.	257/708	2008/0203412	A1*	8/2008	Shyu et al.	257/98
2007/0045823	A1*	3/2007	Miller	257/706	2009/0129097	A1*	5/2009	Ewert et al.	362/328

* cited by examiner

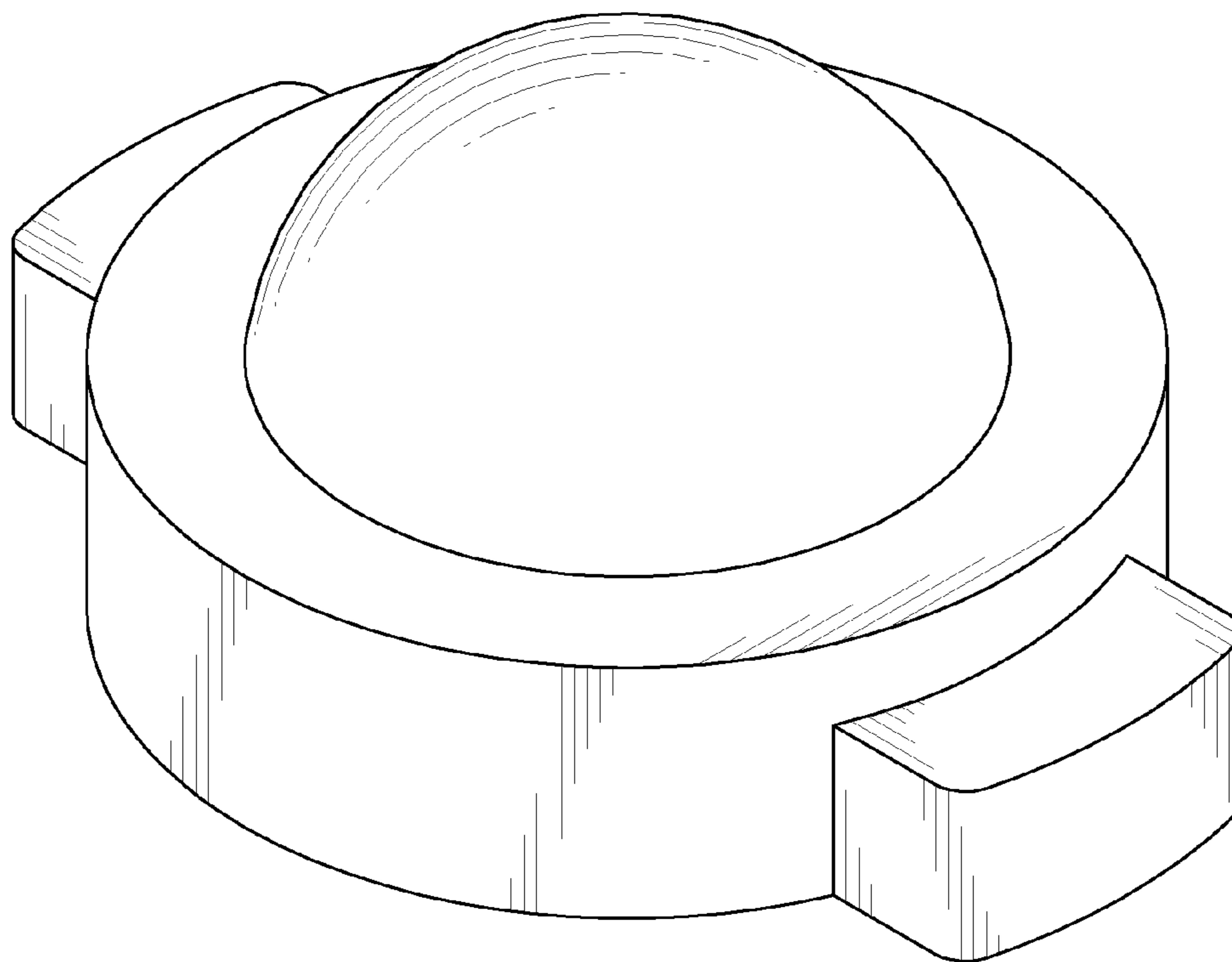


FIG. 1

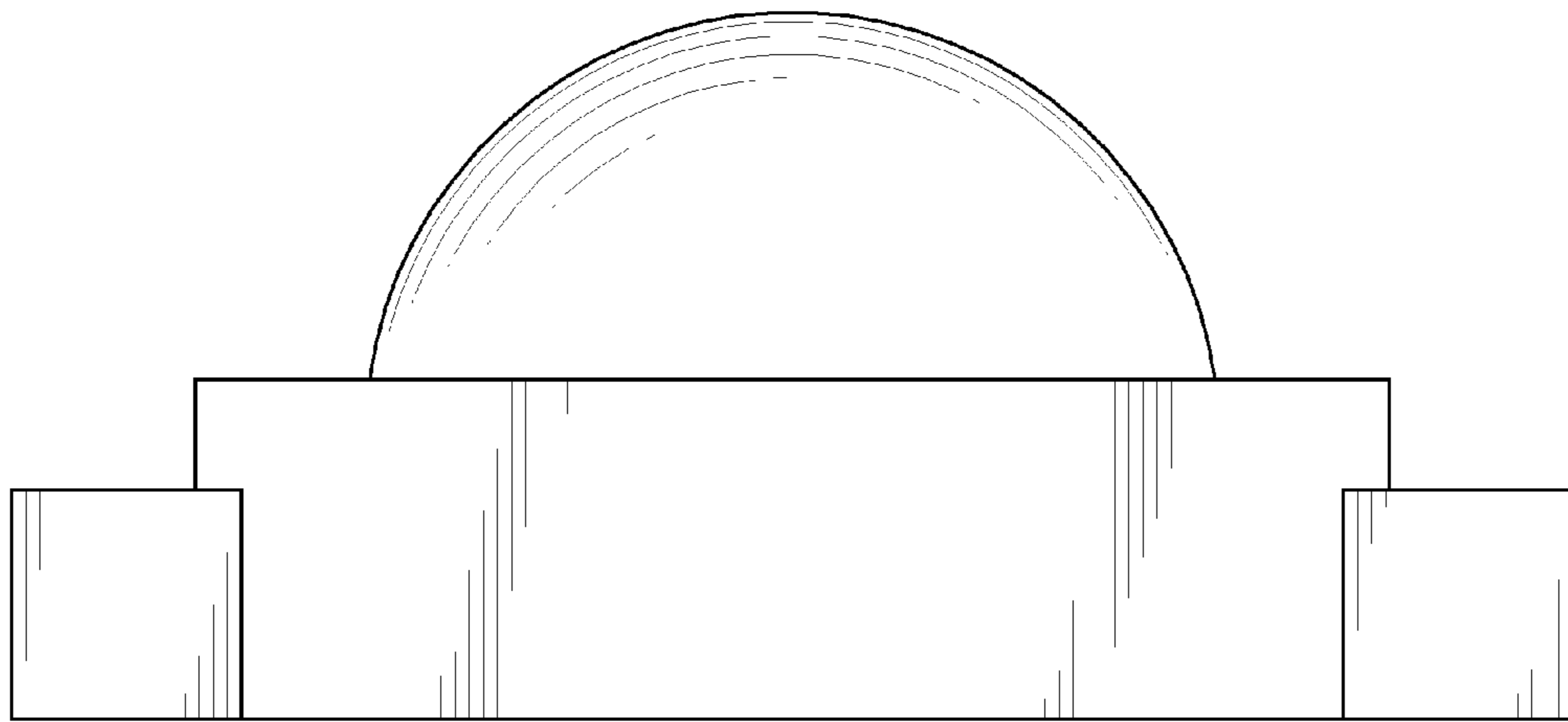


FIG. 2

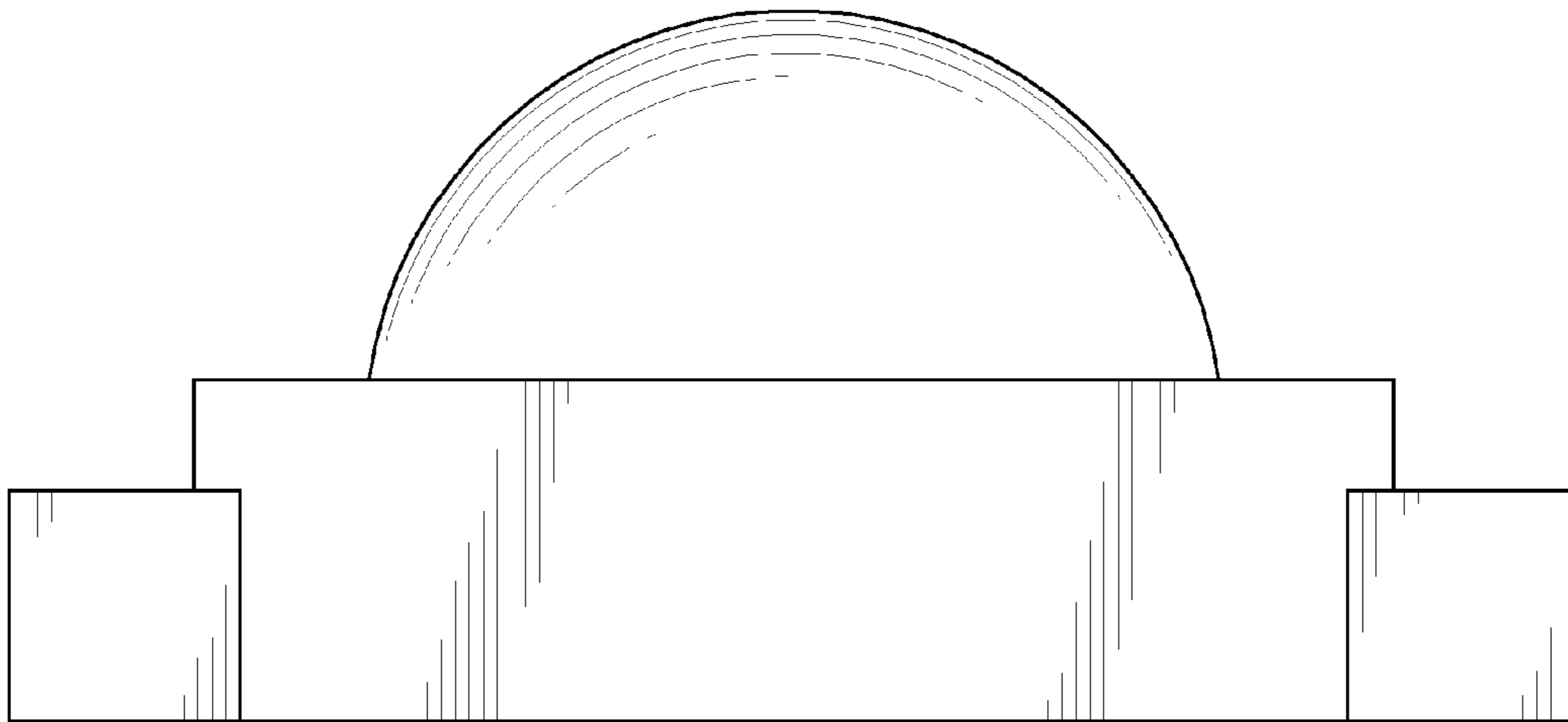


FIG. 3

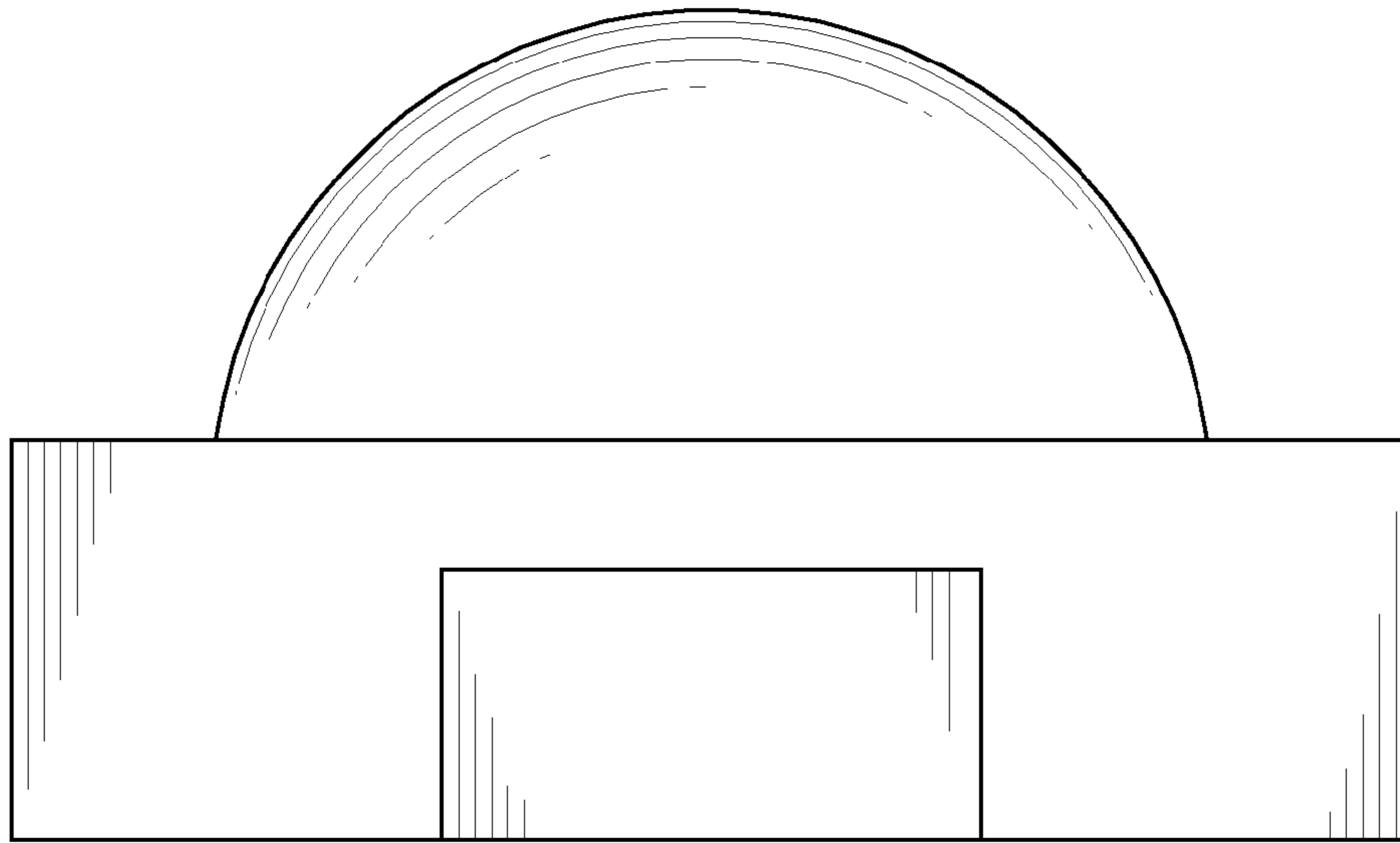


FIG. 4

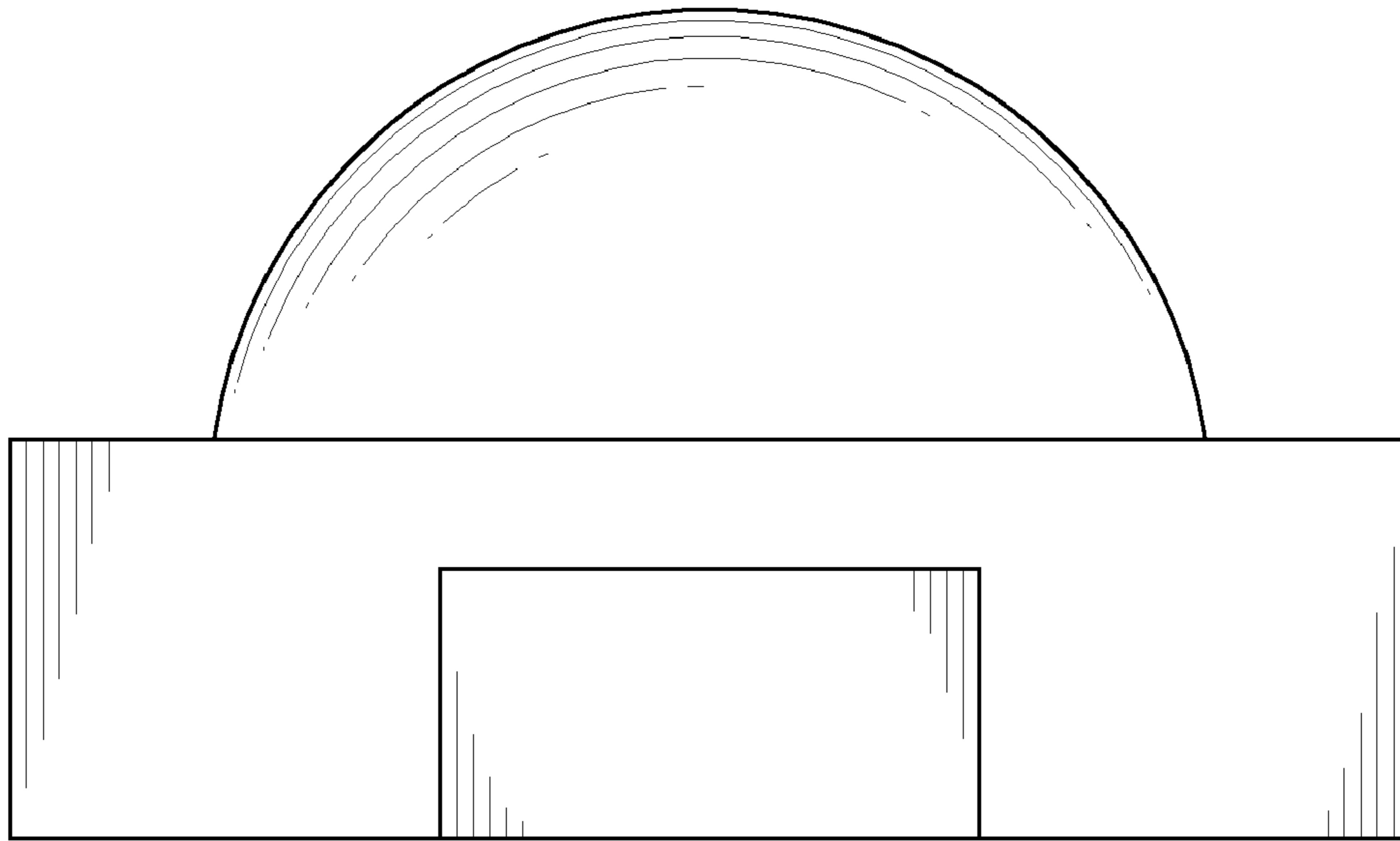


FIG. 5

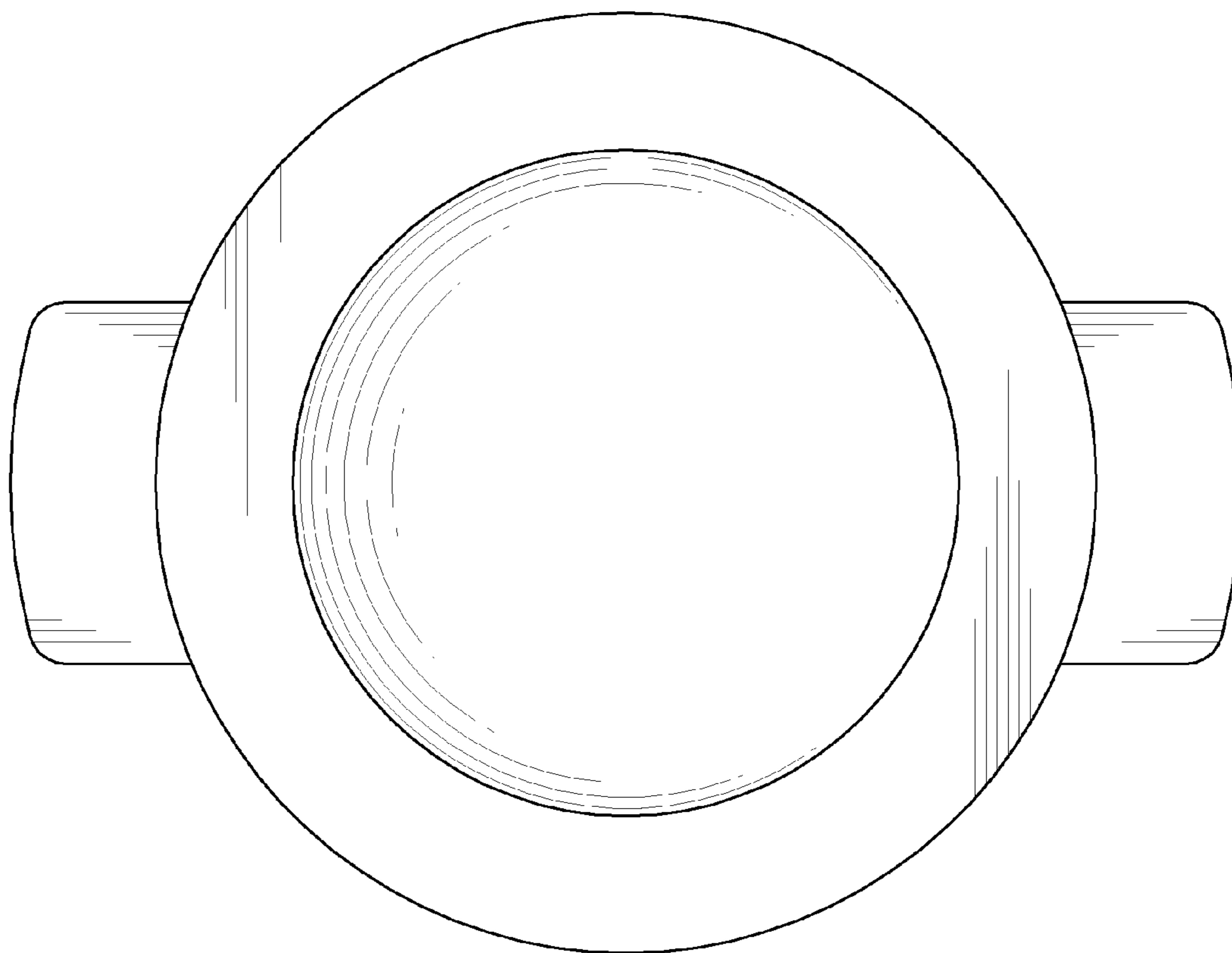


FIG. 6

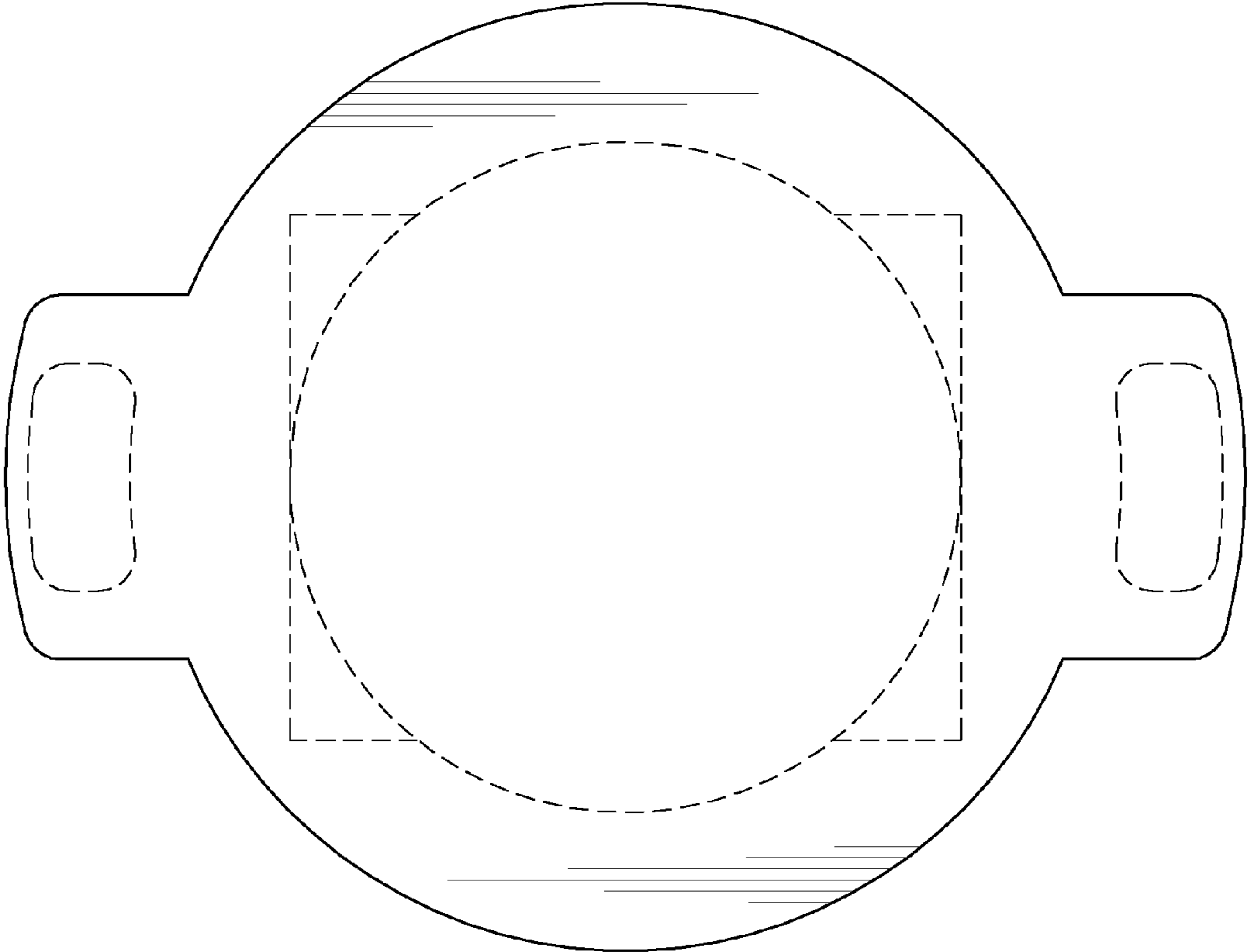


FIG. 7