



US00D631184S

(12) **United States Design Patent**  
**Feng et al.**

(10) **Patent No.:** **US D631,184 S**  
(45) **Date of Patent:** **\*\* Jan. 18, 2011**

(54) **LENS**  
(75) Inventors: **Jia-Chi Feng**, Taipei County (TW);  
**Cheng-Hung Yu**, Taipei County (TW)

(73) Assignee: **Cal-Comp Electronics & Communications Company Limited**, Taipei County (TW)

(\*\*) Term: **14 Years**

(21) Appl. No.: **29/341,132**

(22) Filed: **Jul. 31, 2009**

(51) **LOC (9) Cl.** ..... **26-99**

(52) **U.S. Cl.** ..... **D26/120; D16/134**

(58) **Field of Classification Search** ..... D16/130,  
D16/134, 135, 136, 137; D13/180; D26/113,  
D26/118, 119, 120, 139; 359/362, 824, 642;  
362/267, 487, 364, 363, 105, 327  
See application file for complete search history.

(56) **References Cited**

**U.S. PATENT DOCUMENTS**

5,050,963	A *	9/1991	Murakami	.....	359/808
5,054,886	A *	10/1991	Ozaki et al.	.....	359/823
5,218,484	A *	6/1993	Terai	.....	359/823
5,373,431	A *	12/1994	Hayman et al.	.....	362/364
5,461,444	A *	10/1995	Okura et al.	.....	396/529
5,826,970	A *	10/1998	Keller et al.	.....	362/147
6,447,145	B1 *	9/2002	Thomas et al.	.....	362/267
6,923,560	B2 *	8/2005	Huang	.....	362/486

D511,149	S *	11/2005	Suenaga	.....	D13/180
D574,336	S *	8/2008	Okada et al.	.....	D13/180
D599,390	S *	9/2009	Takishima	.....	D16/135
D600,729	S *	9/2009	Takishima	.....	D16/135
D602,060	S *	10/2009	Takishima	.....	D16/135
D603,438	S *	11/2009	Takishima	.....	D16/135
D619,154	S *	7/2010	Feng et al.	.....	D16/134
D623,151	S *	9/2010	Hwang et al.	.....	D13/180
D623,152	S *	9/2010	Hwang et al.	.....	D13/180
D623,212	S *	9/2010	Chen et al.	.....	D16/135

\* cited by examiner

*Primary Examiner*—Paula Greene

(74) *Attorney, Agent, or Firm*—Jianq Chyun IP Office

(57) **CLAIM**

The ornamental design for a lens, as shown and described.

**DESCRIPTION**

FIG. 1 is a perspective view of a lens showing the new design; FIG. 2 is a front view thereof, the rear view, right side view and left side view being identical to the front view;

FIG. 3 is a top view thereof;

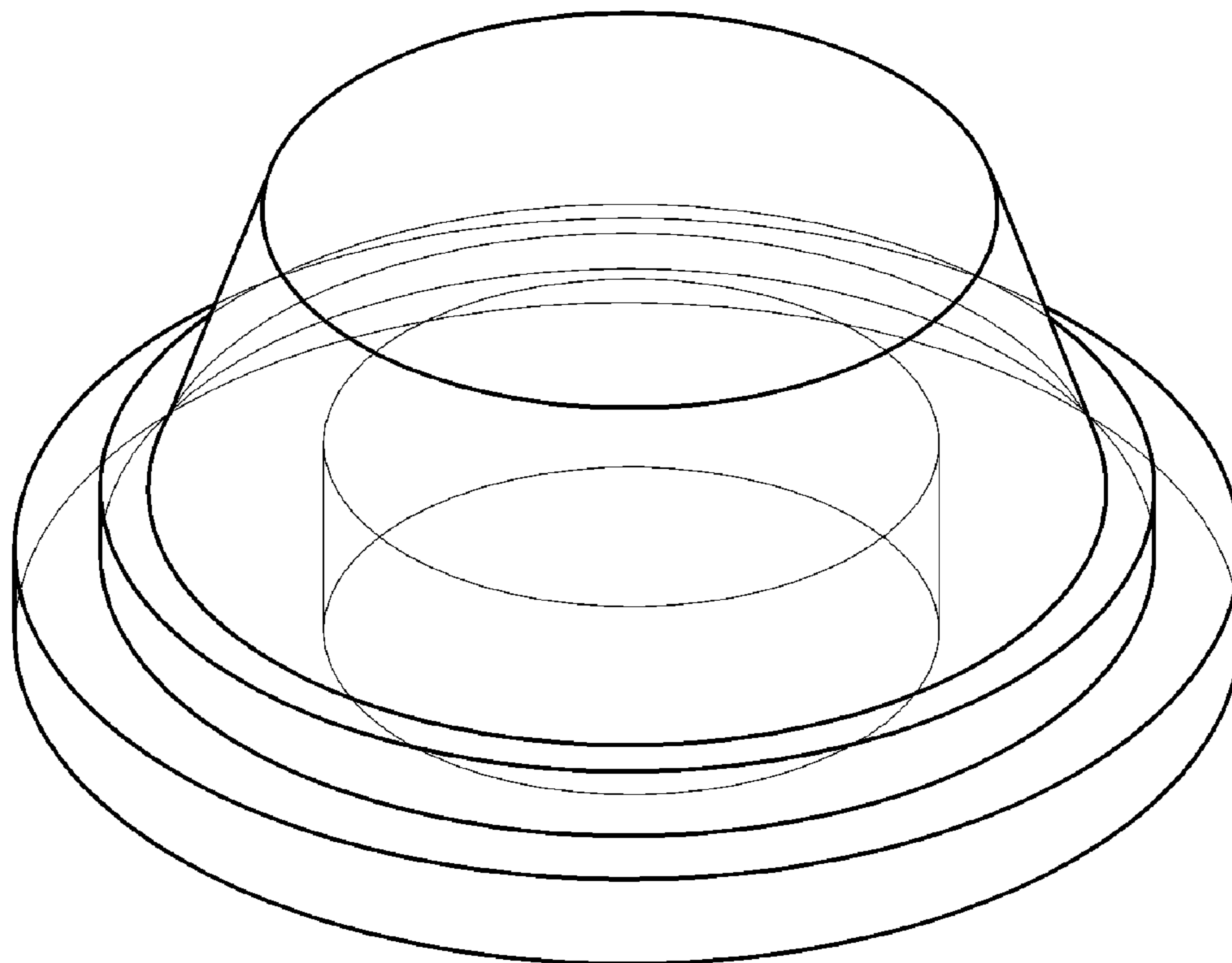
FIG. 4 is a bottom view thereof;

FIG. 5 is a cross-sectional view taken along line 5—5 in FIG. 2; and,

FIG. 6 is a reference view thereof showing the lens applying to a light source.

The broken lines form no part of the claimed design.

**1 Claim, 6 Drawing Sheets**



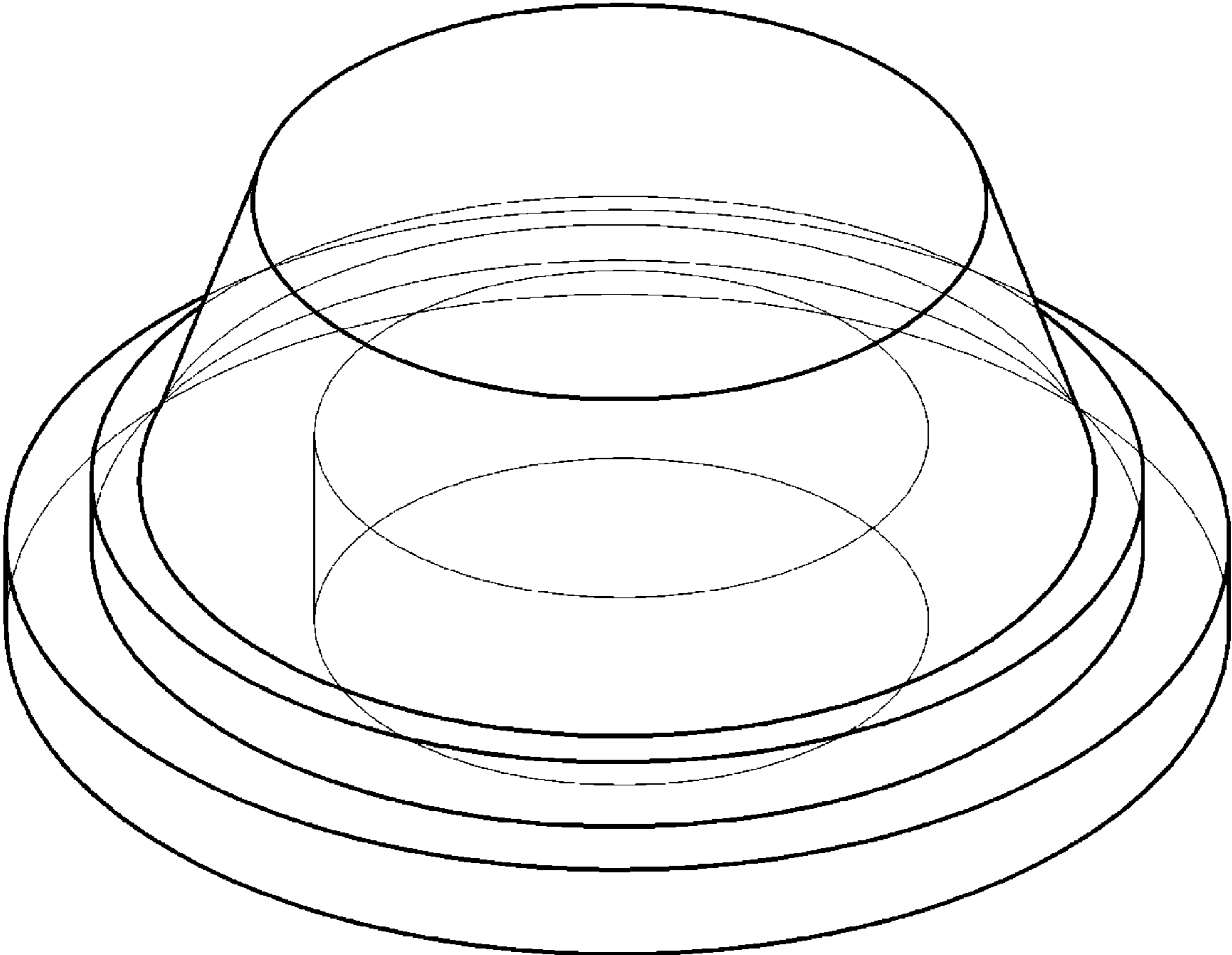


FIG. 1

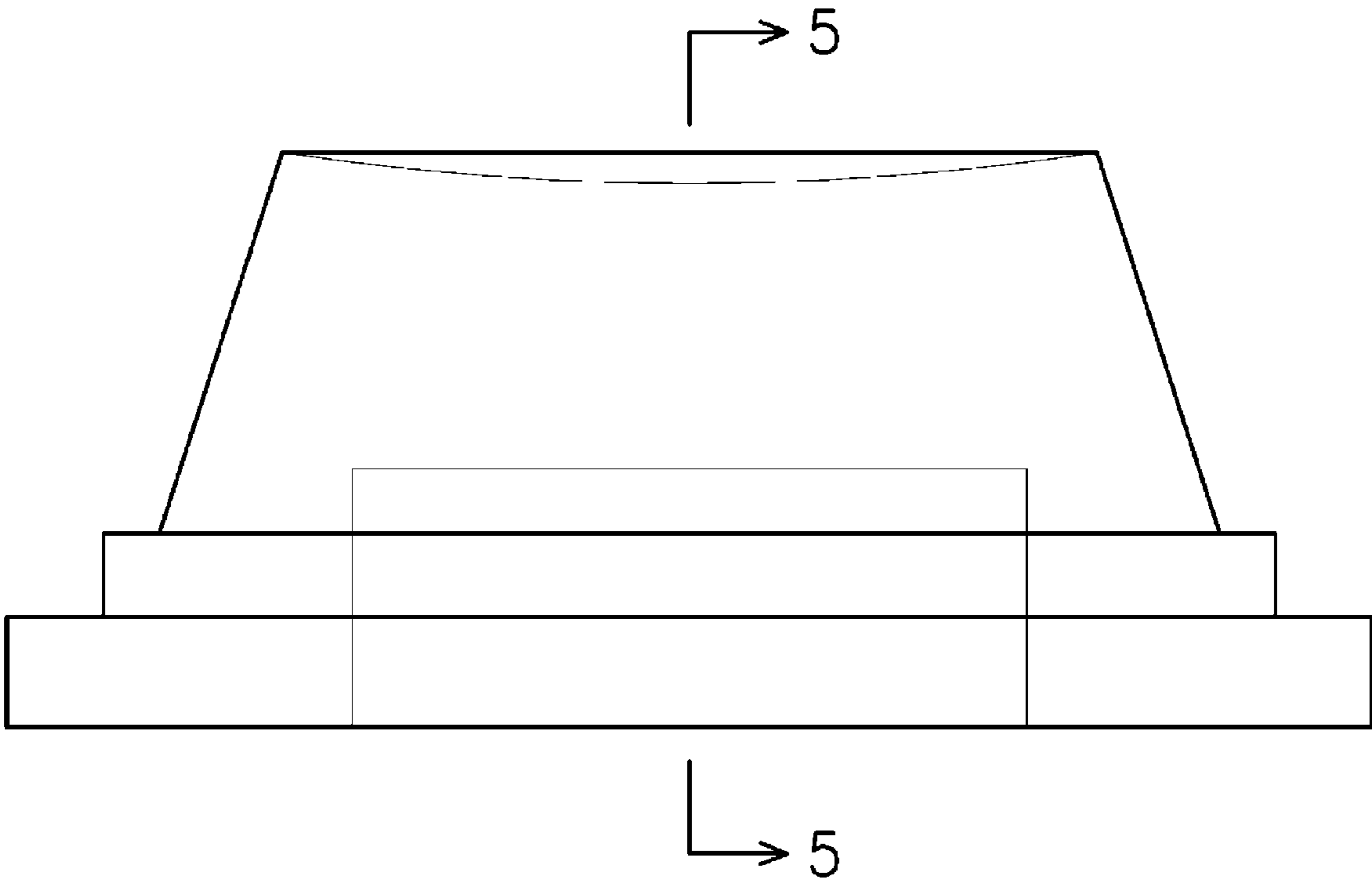


FIG. 2

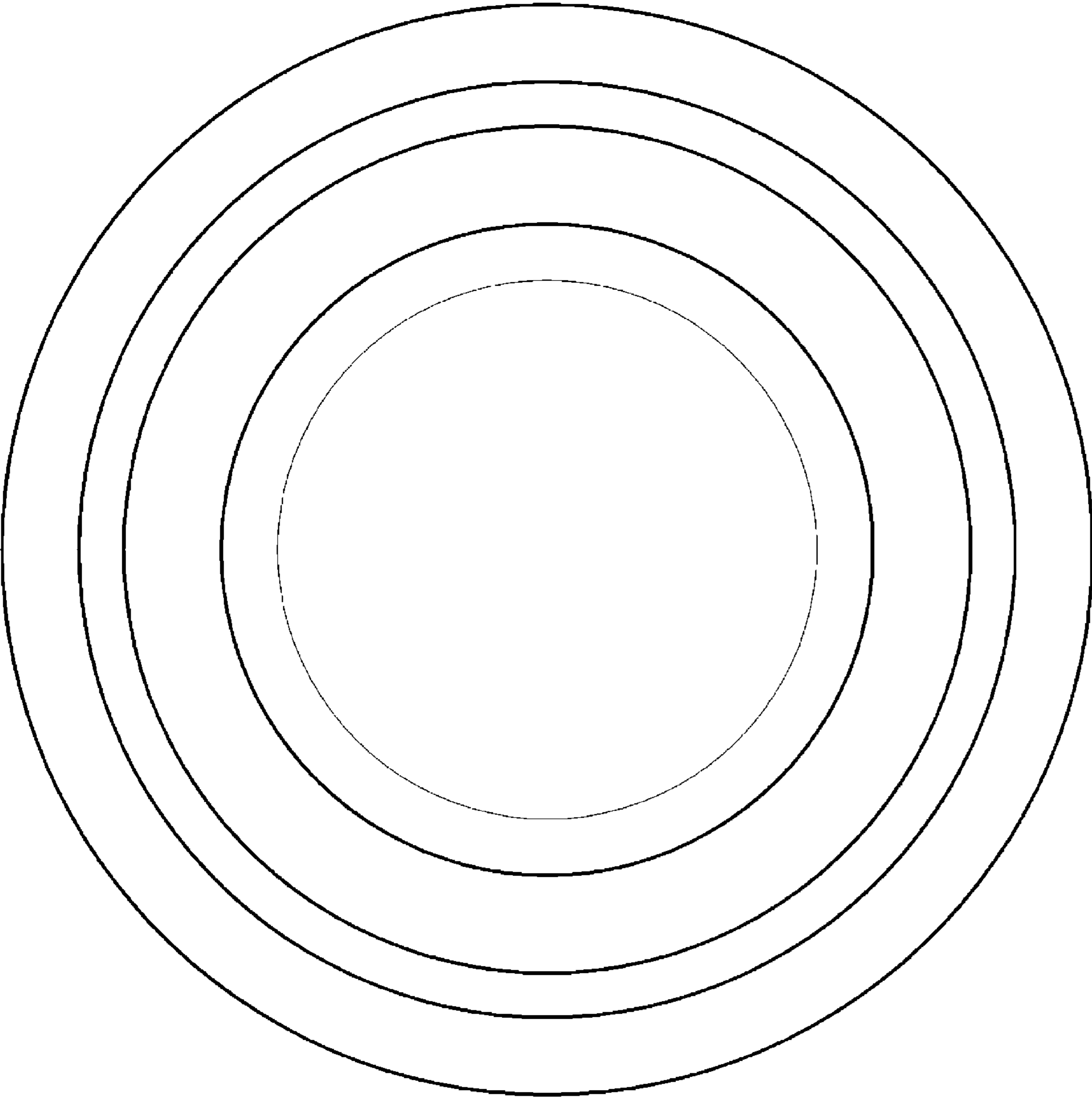


FIG. 3

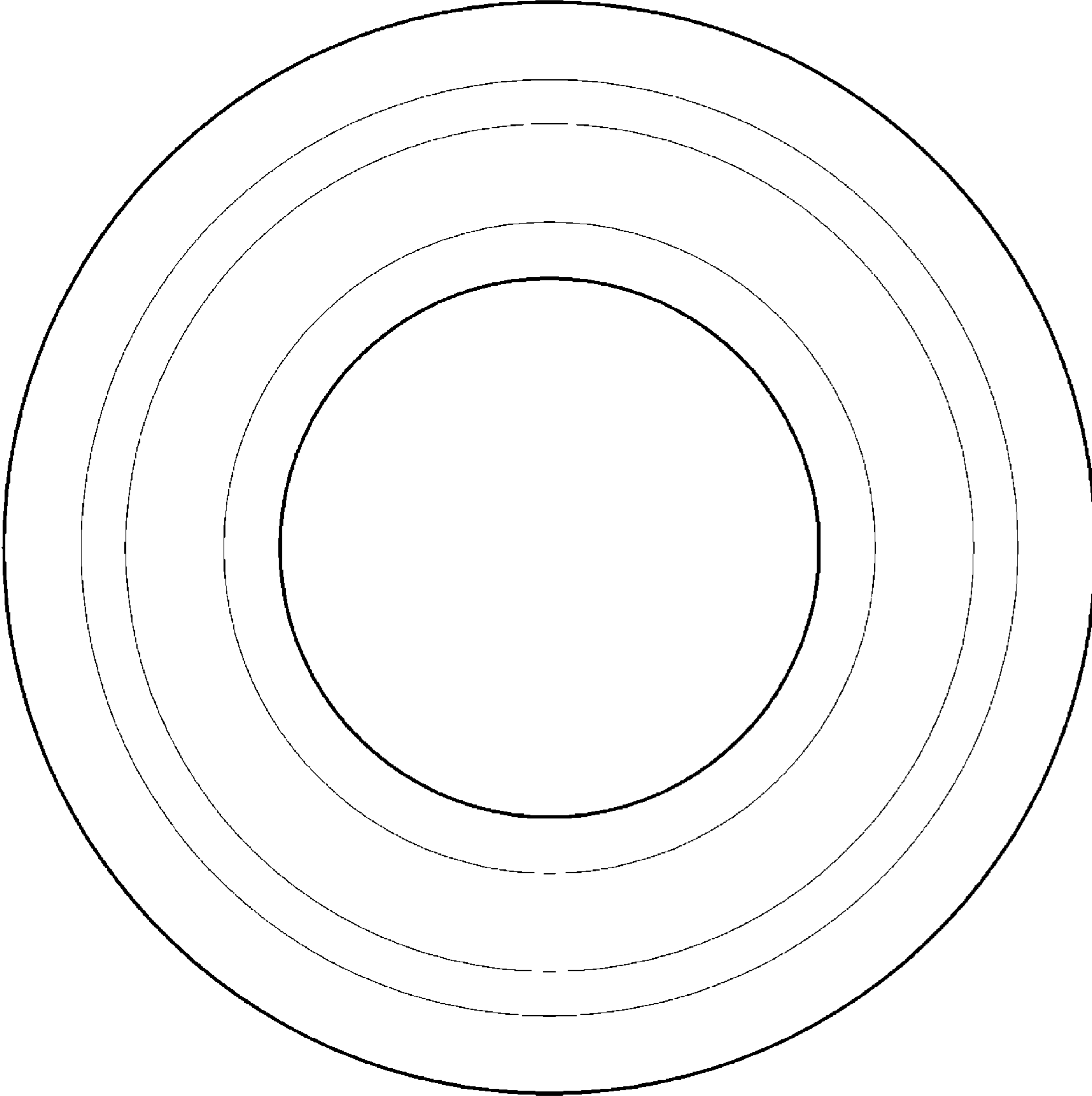


FIG. 4

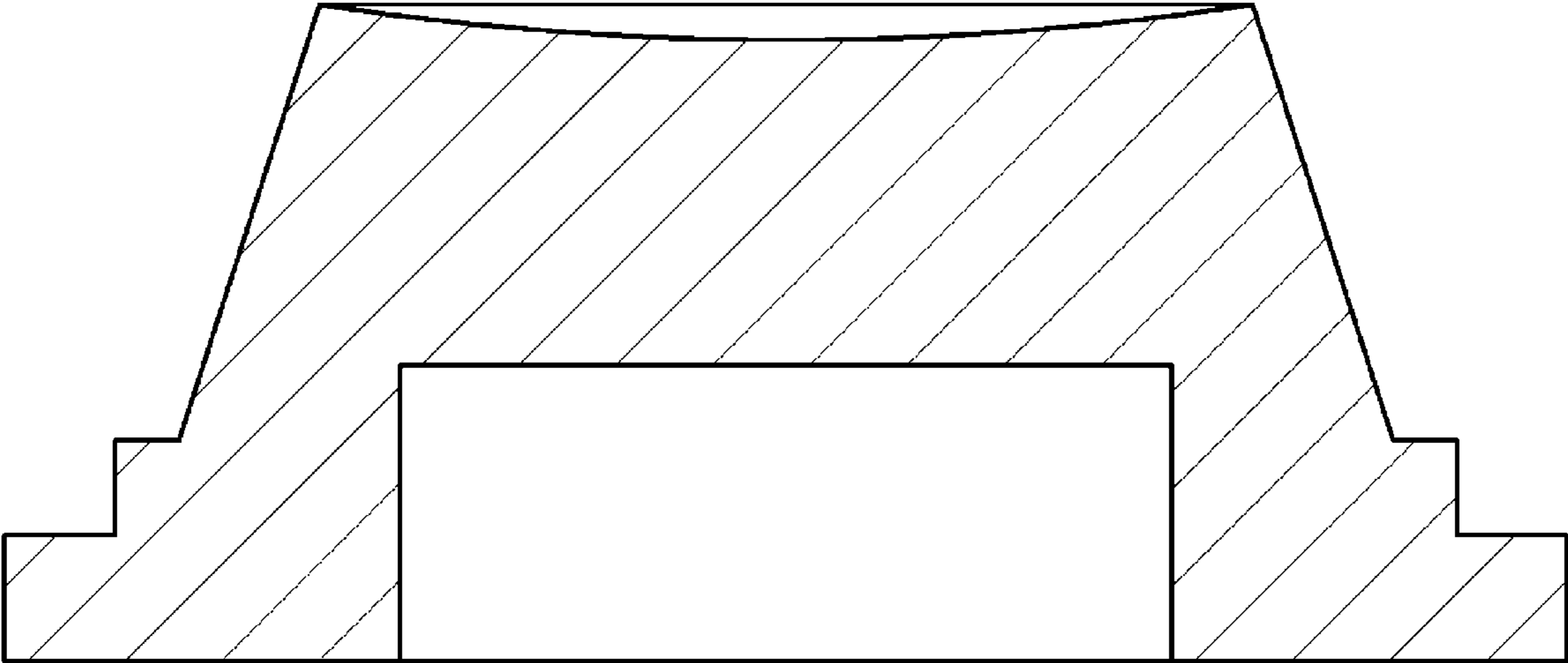


FIG. 5

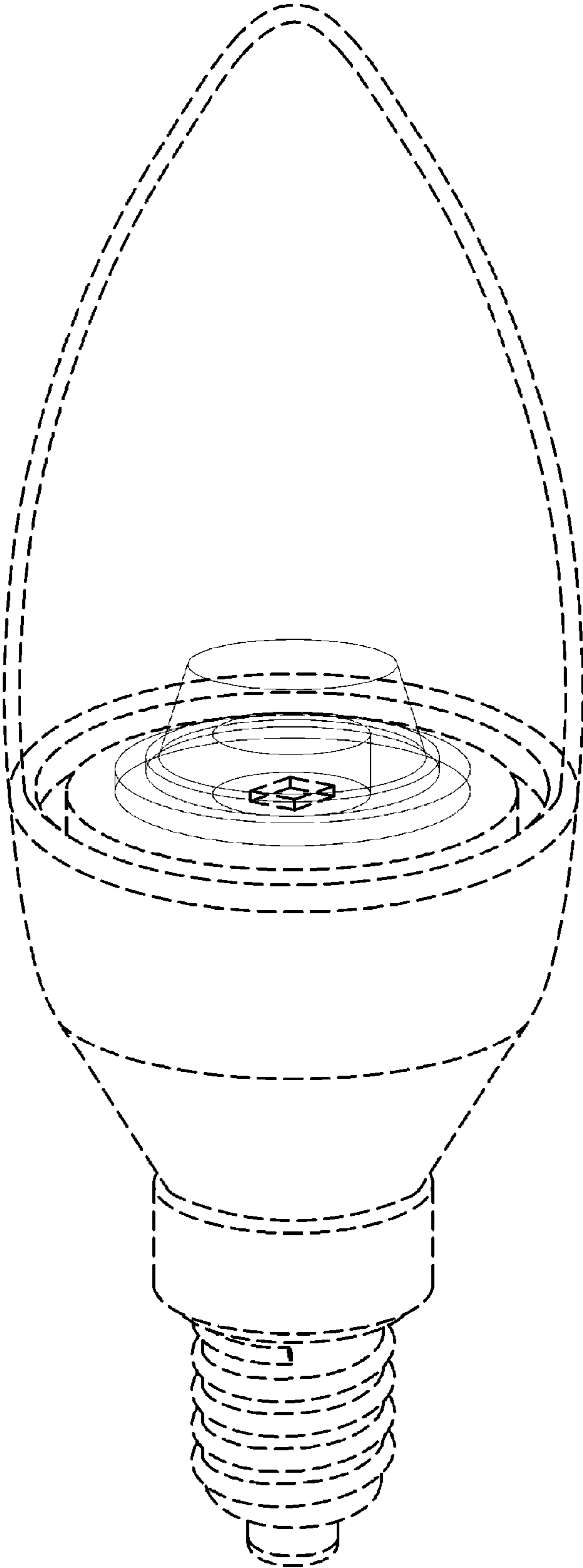


FIG. 6