



US00D631182S

(12) **United States Design Patent**
Areh

(10) **Patent No.:** **US D631,182 S**
(45) **Date of Patent:** **** Jan. 18, 2011**

(54) **STREET LAMP**

(75) Inventor: **Marko Areh**, Radlje (SI)

(73) Assignee: **GRAH Automotive d.o.o.**, Slovenske Konjice (SI)

(**) Term: **14 Years**

(21) Appl. No.: **29/359,997**

(22) Filed: **Apr. 19, 2010**

(30) **Foreign Application Priority Data**

Feb. 23, 2010 (EP) 1673336

(51) **LOC (9) Cl.** **26-05**

(52) **U.S. Cl.** **D26/71**

(58) **Field of Classification Search** D26/67-71,
D26/85, 92; 362/145, 183, 231, 240, 249.02,
362/249.03, 249.04, 249.06, 249.16, 431
See application file for complete search history.

(56) **References Cited**

U.S. PATENT DOCUMENTS

- D192,041 S * 1/1962 Izzi D26/71
- D202,212 S * 9/1965 Izzi D26/71
- D203,065 S * 11/1965 Izzi D26/71
- D209,081 S * 10/1967 Netland D26/71

- D220,778 S * 5/1971 Jablonski D26/71
- D346,237 S * 4/1994 Schreder D26/71
- D578,697 S * 10/2008 Zheng et al. D26/71
- D601,292 S * 9/2009 Yan et al. D26/71
- D609,383 S * 2/2010 Chang D26/71
- D614,791 S * 4/2010 Nibaldi D26/71
- D619,748 S * 7/2010 Jong D26/71
- D622,888 S * 8/2010 Chakravarty et al. D26/71
- 2009/0034257 A1 * 2/2009 Liu et al. 362/252

* cited by examiner

Primary Examiner—Clare E Heflin

(74) *Attorney, Agent, or Firm*—Laurence A. Green; Werner H. Stemer; Ralph E. Locher

(57) **CLAIM**

The ornamental design for a street lamp, as shown and described.

DESCRIPTION

FIG. 1 is a right side, elevational view of the street lamp showing my new design;

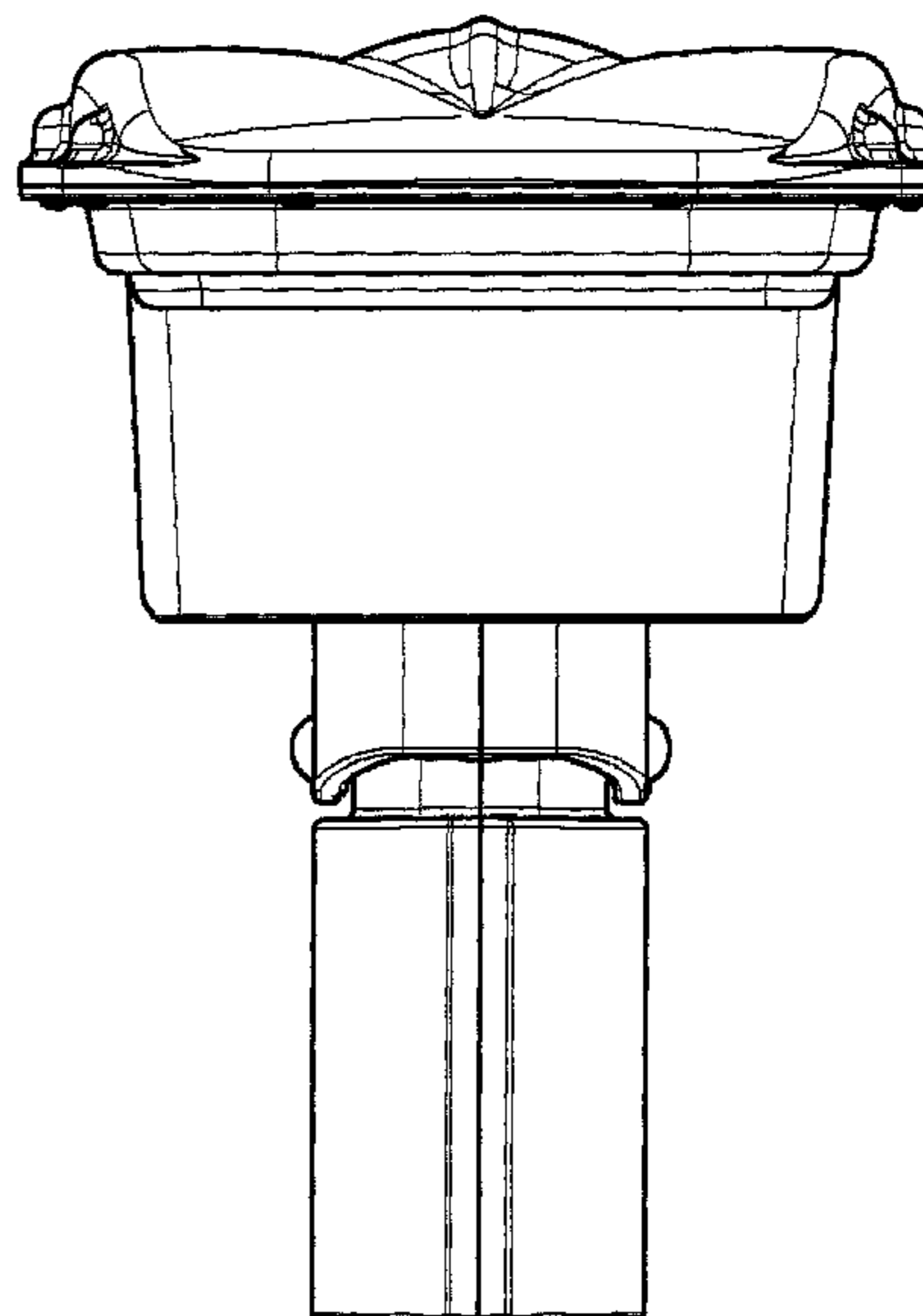
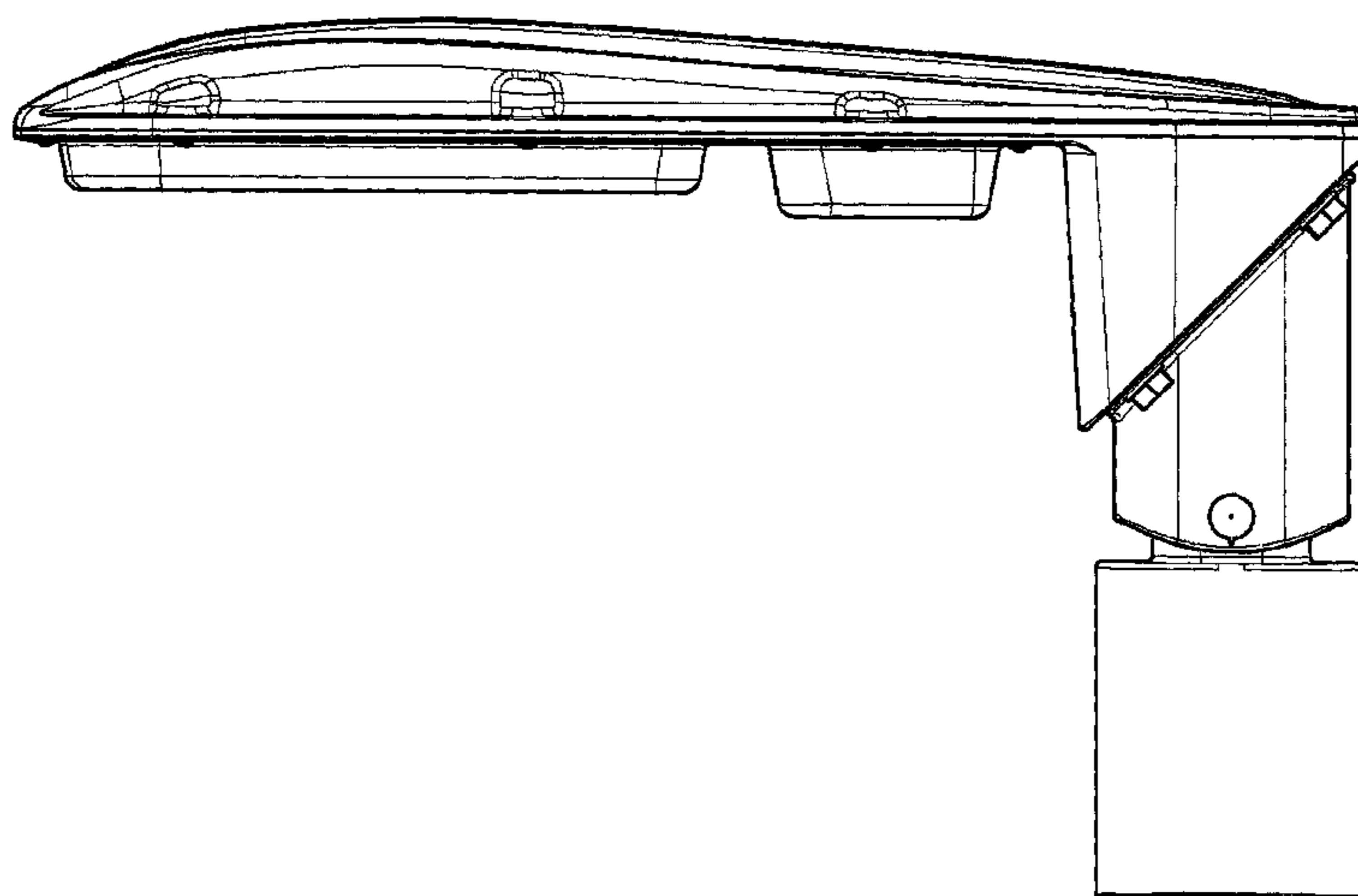
FIG. 2 is a left side, perspective view thereof;

FIG. 3 is a bottom plan view thereof;

FIG. 4 is a front elevational view thereof; and,

FIG. 5 is a top plan view thereof.

1 Claim, 5 Drawing Sheets



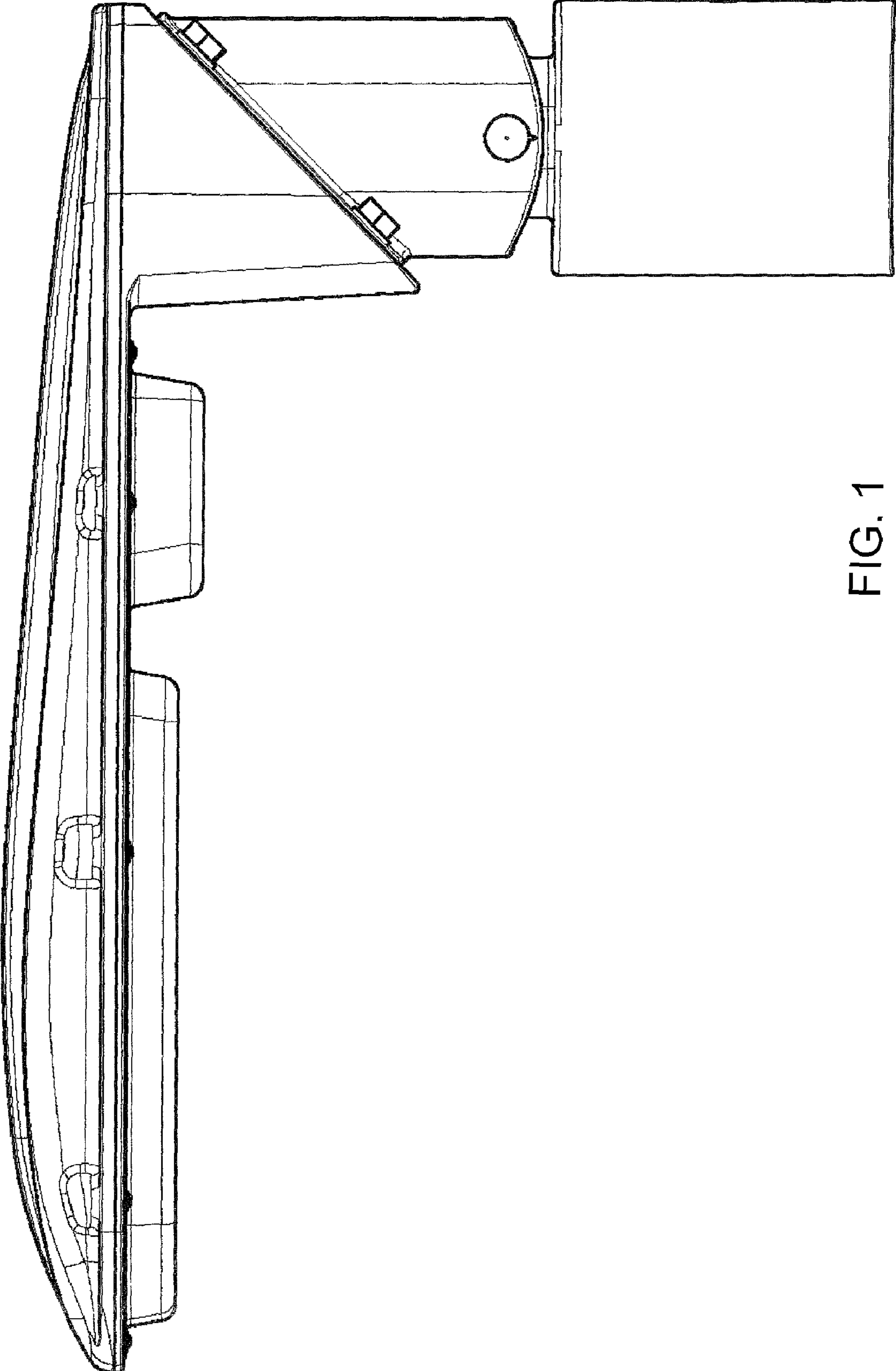


FIG. 1

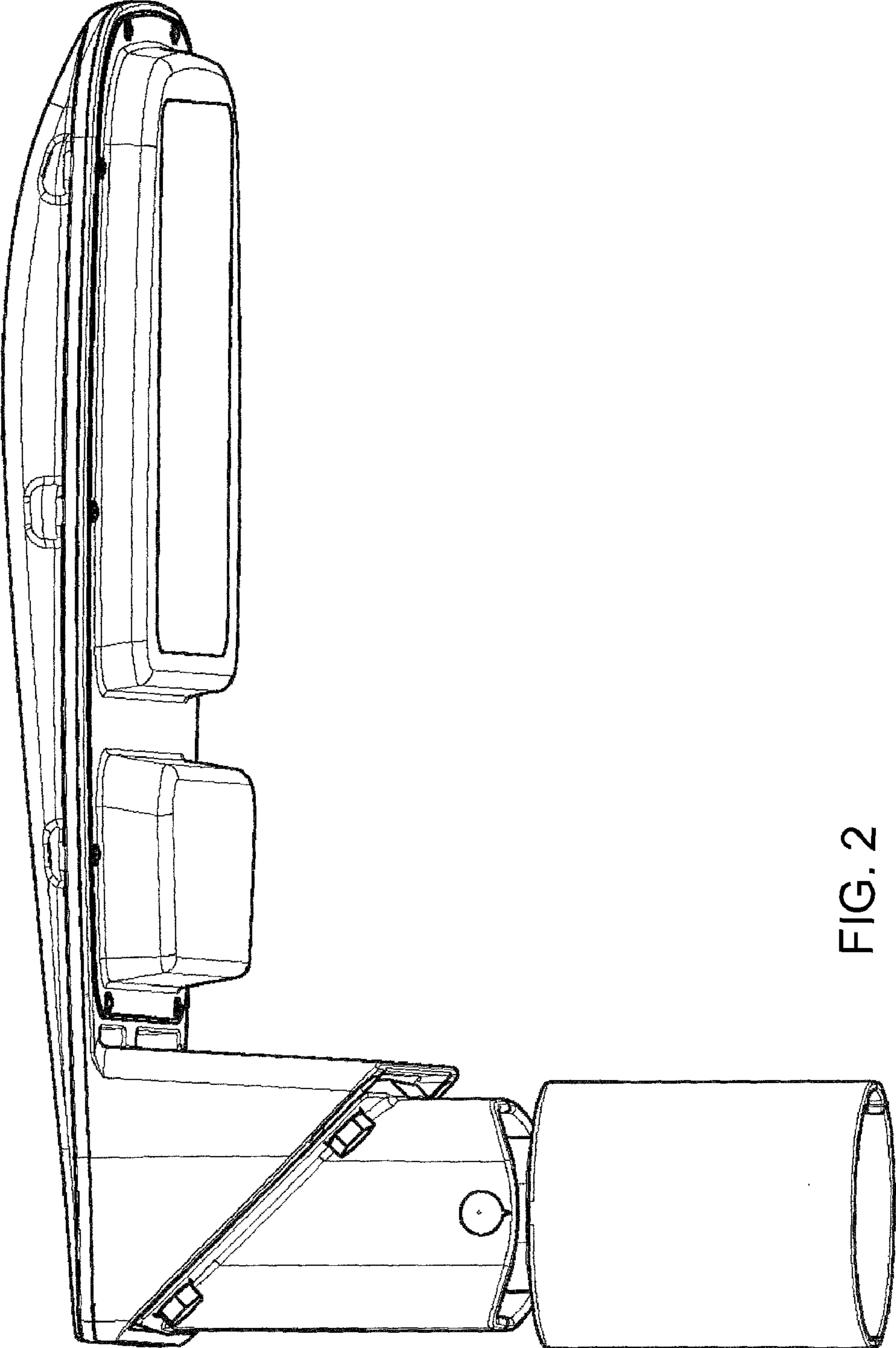


FIG. 2

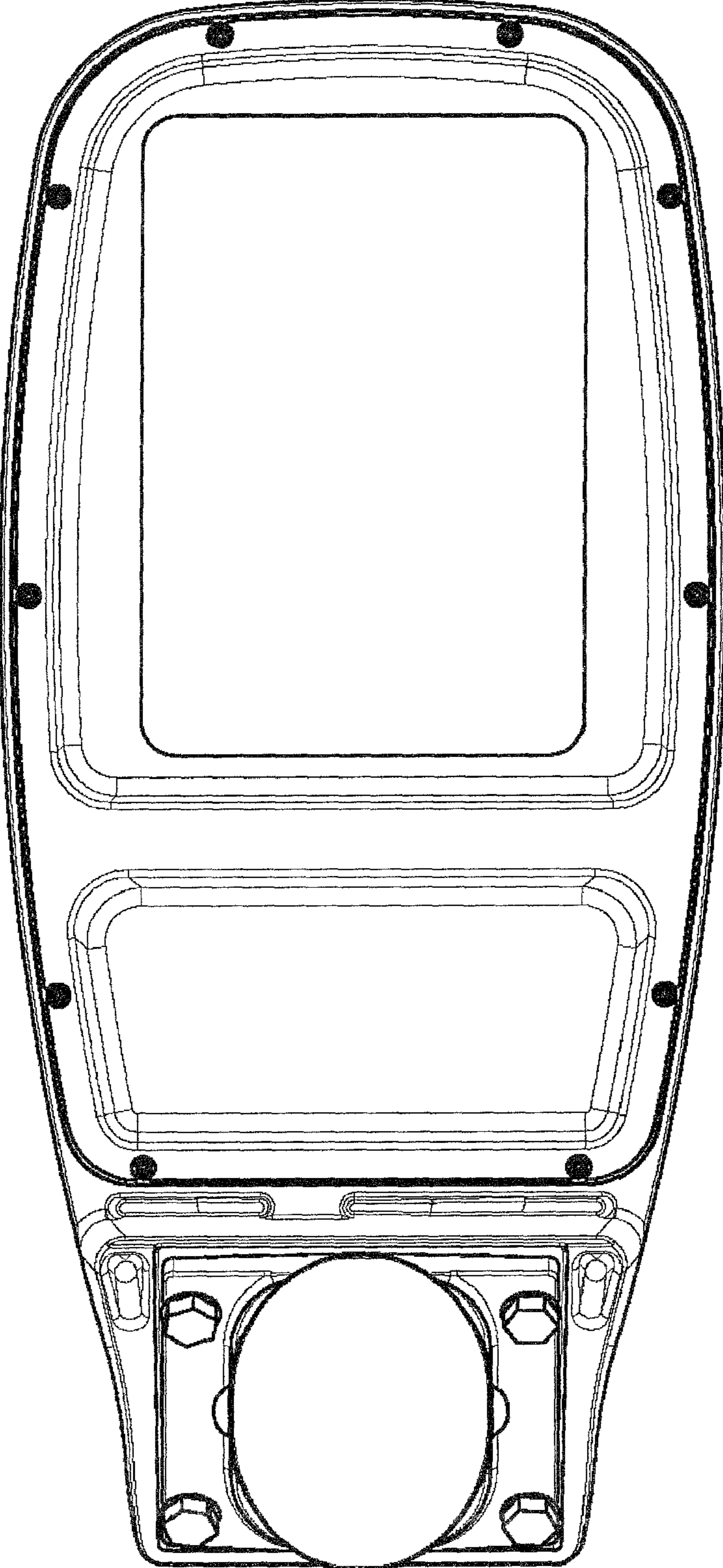


FIG. 3

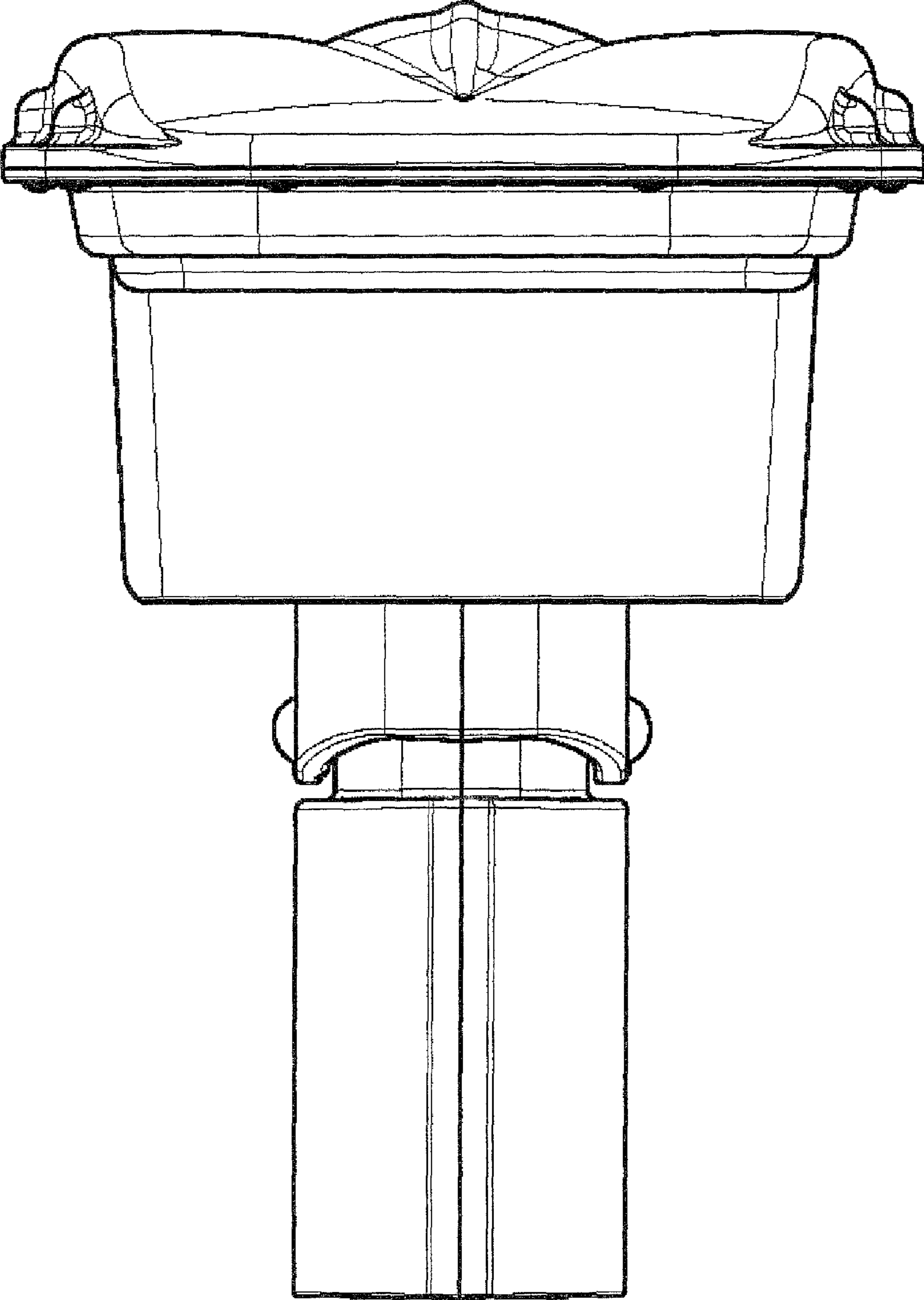


FIG. 4

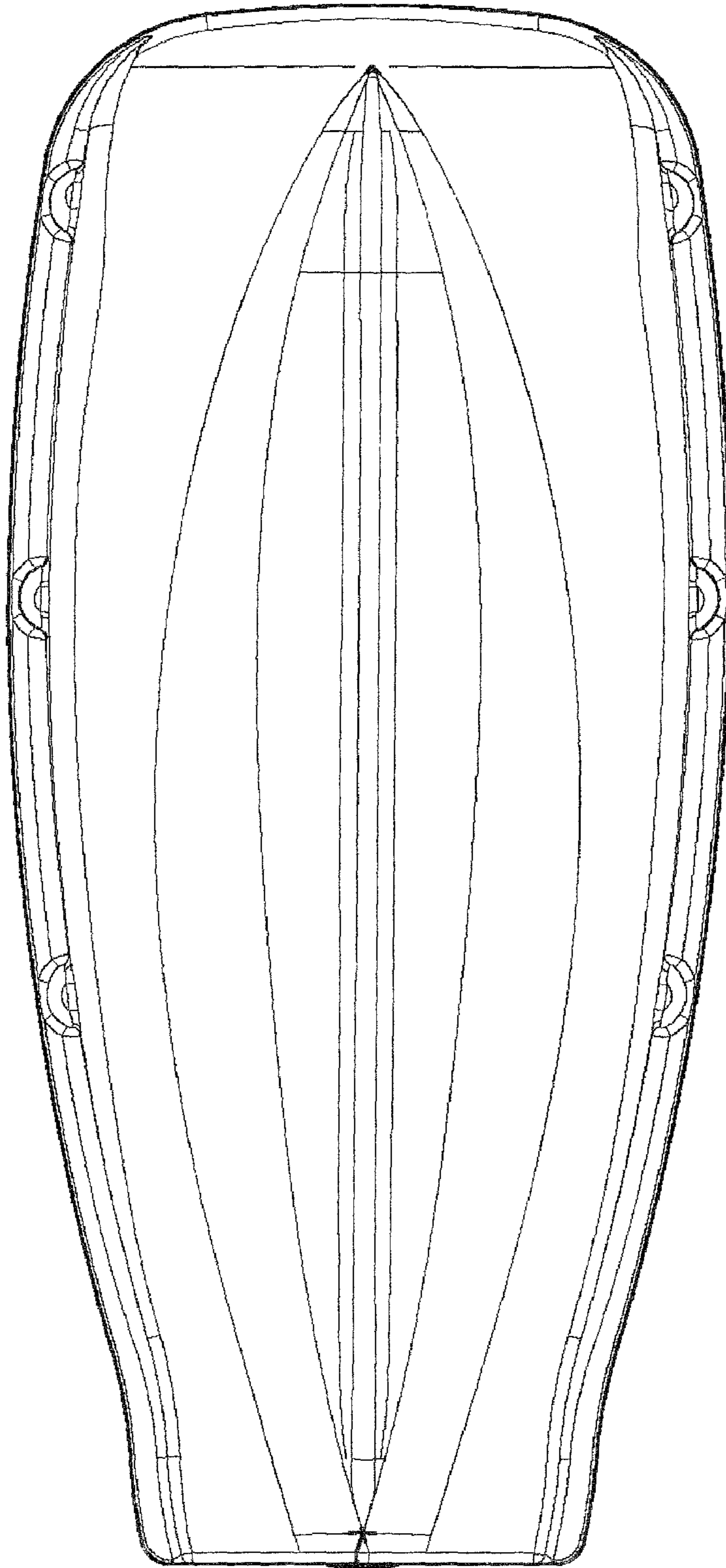


FIG. 5