



US00D631180S

(12) **United States Design Patent**  
**Leroux**

(10) **Patent No.:** **US D631,180 S**  
(45) **Date of Patent:** **\*\* Jan. 18, 2011**

(54) **LUMINAIRE FOR ROAD LIGHTING**

(75) Inventor: **Guillaume Leroux**, St. Etienne (FR)

(73) Assignee: **Koninklijke Philips Electronics N.V.**,  
Eindhoven (NL)

(\*\*) Term: **14 Years**

(21) Appl. No.: **29/345,253**

(22) Filed: **Oct. 13, 2009**

(30) **Foreign Application Priority Data**

Apr. 22, 2009 (EM) ..... 001503194

(51) **LOC (9) Cl.** ..... **26-05**

(52) **U.S. Cl.** ..... **D26/71**

(58) **Field of Classification Search** ..... D26/67-71,  
D26/85, 92; 362/145, 183, 231, 240, 249.02,  
362/249.03, 249.06, 249.16, 373, 431  
See application file for complete search history.

(56) **References Cited**

**U.S. PATENT DOCUMENTS**

D199,367 S \* 10/1964 Wierzbicki ..... D26/71  
D203,764 S \* 2/1966 Rutter ..... D26/71  
D204,618 S \* 5/1966 Rutter ..... D26/71

D205,003 S \* 6/1966 de Vos ..... D26/71  
D205,411 S \* 8/1966 Pettengill ..... D26/71  
D302,047 S \* 7/1989 Flannery et al. .... D26/71  
D313,483 S \* 1/1991 Blake ..... D26/71  
D580,085 S \* 11/2008 Svensson ..... D26/71  
D614,791 S \* 4/2010 Nibaldi ..... D26/71  
D615,229 S \* 5/2010 van Klinken ..... D26/63  
D615,230 S \* 5/2010 van Klinken ..... D26/63  
D615,231 S \* 5/2010 van Klinken ..... D26/63

\* cited by examiner

*Primary Examiner*—Clare E Heflin

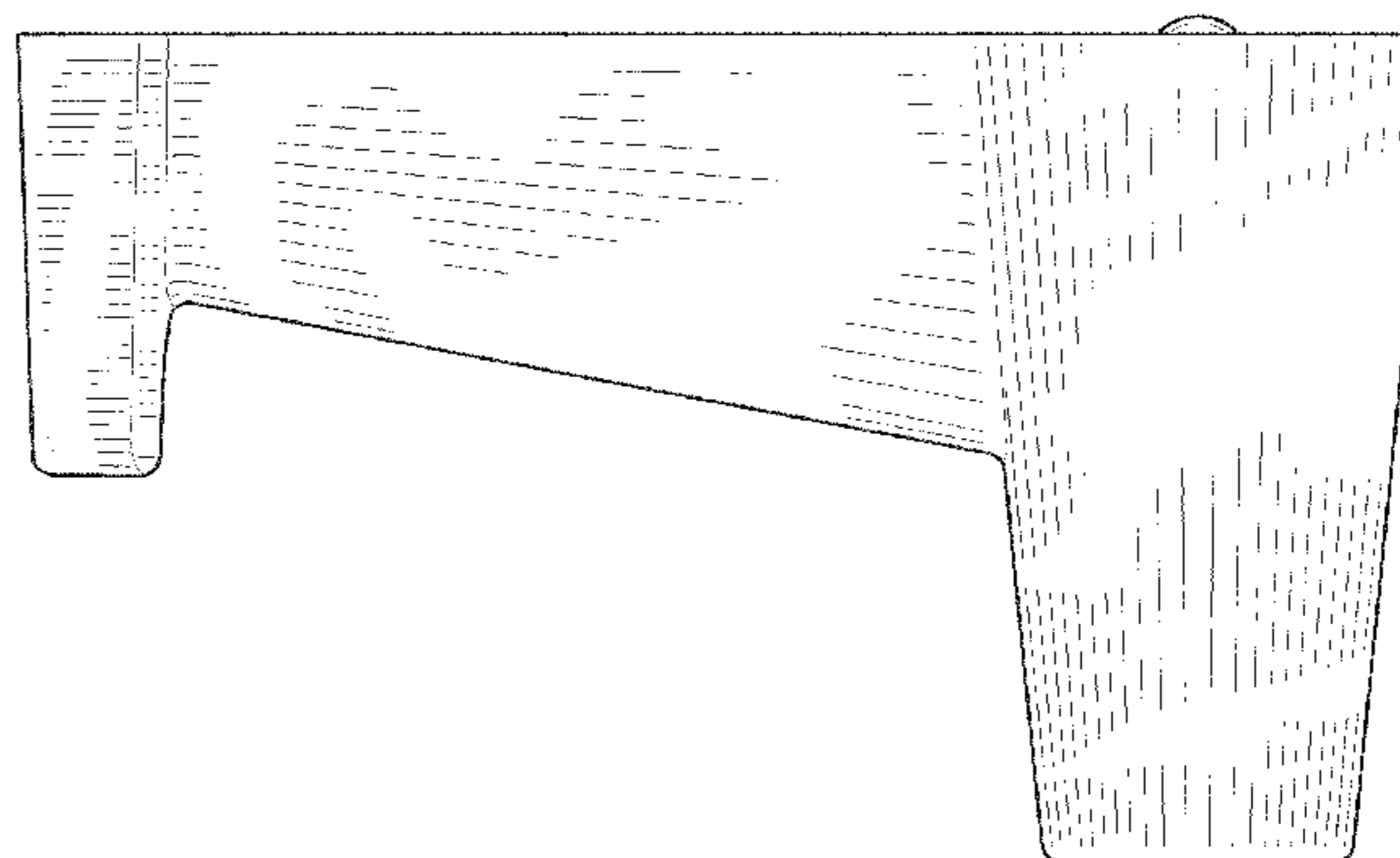
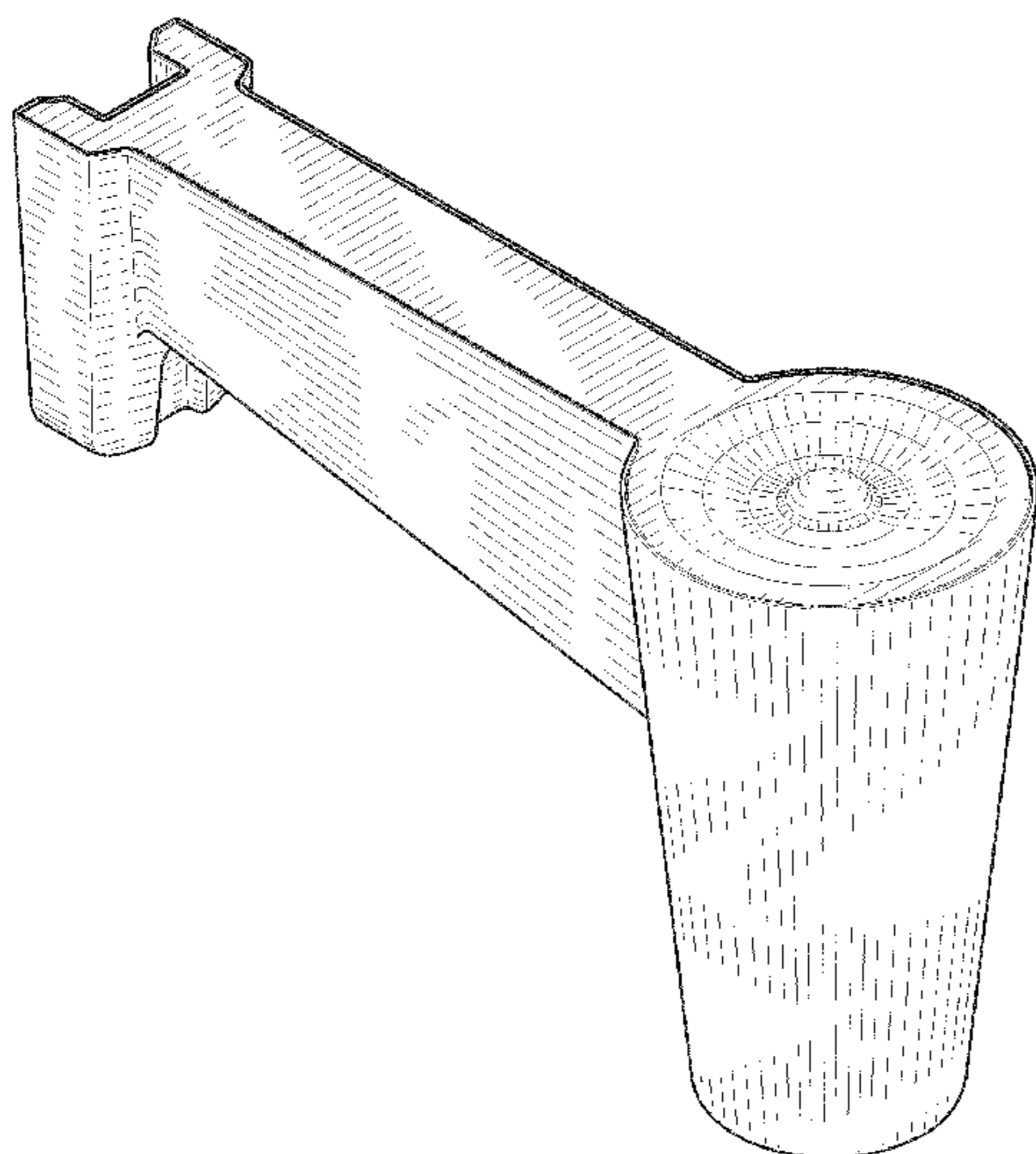
(57) **CLAIM**

The ornamental design for a luminaire for road lighting, as shown.

**DESCRIPTION**

FIG. 1 is a perspective view showing my design;  
FIG. 2 is a front elevational view thereof;  
FIG. 3 is a rear elevational view thereof;  
FIG. 4 is a right side elevational view thereof;  
FIG. 5 is a left side elevational view thereof;  
FIG. 6 is a top plan view thereof; and,  
FIG. 7 is a bottom plan view thereof.

**1 Claim, 4 Drawing Sheets**



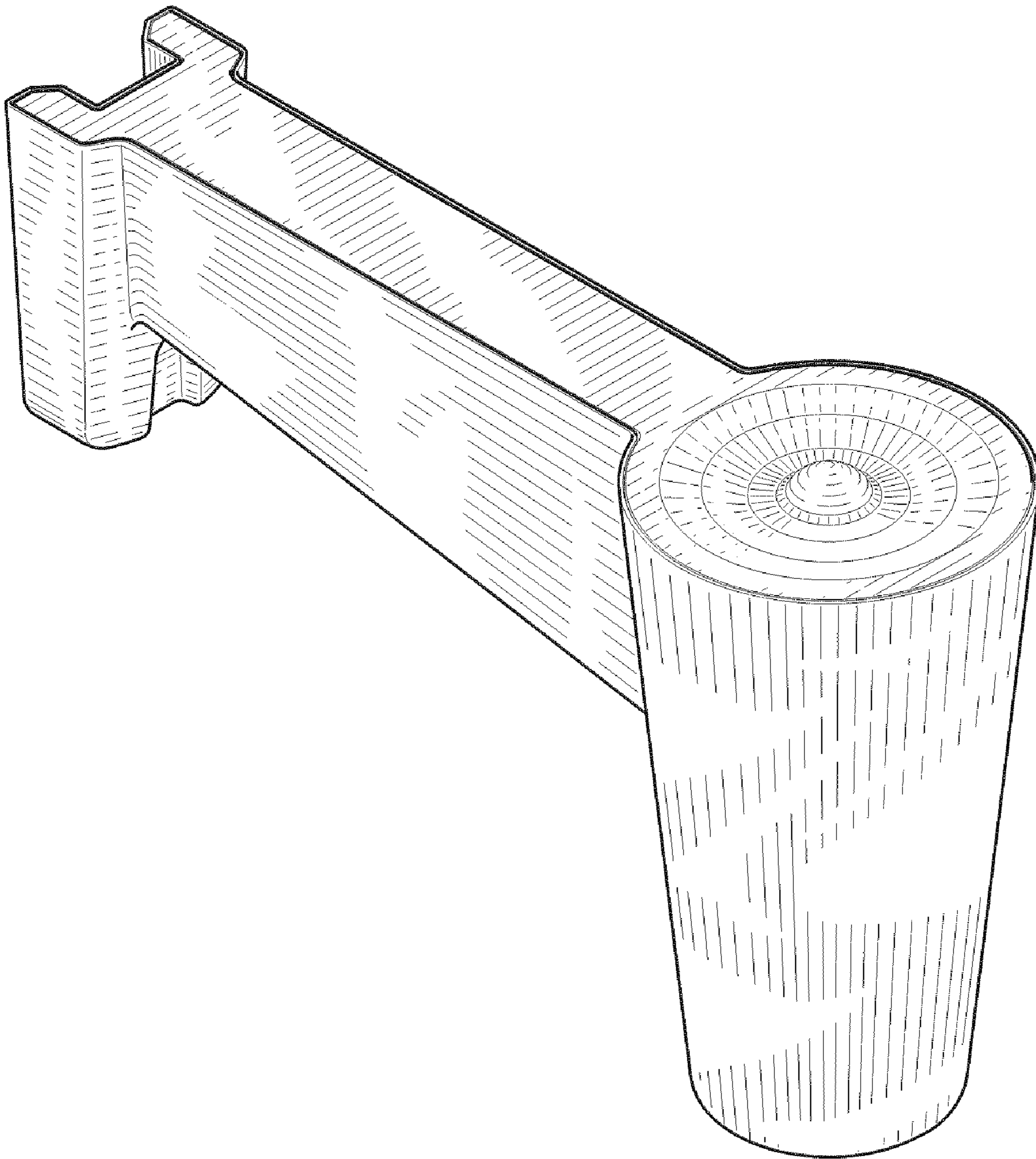


FIG. 1

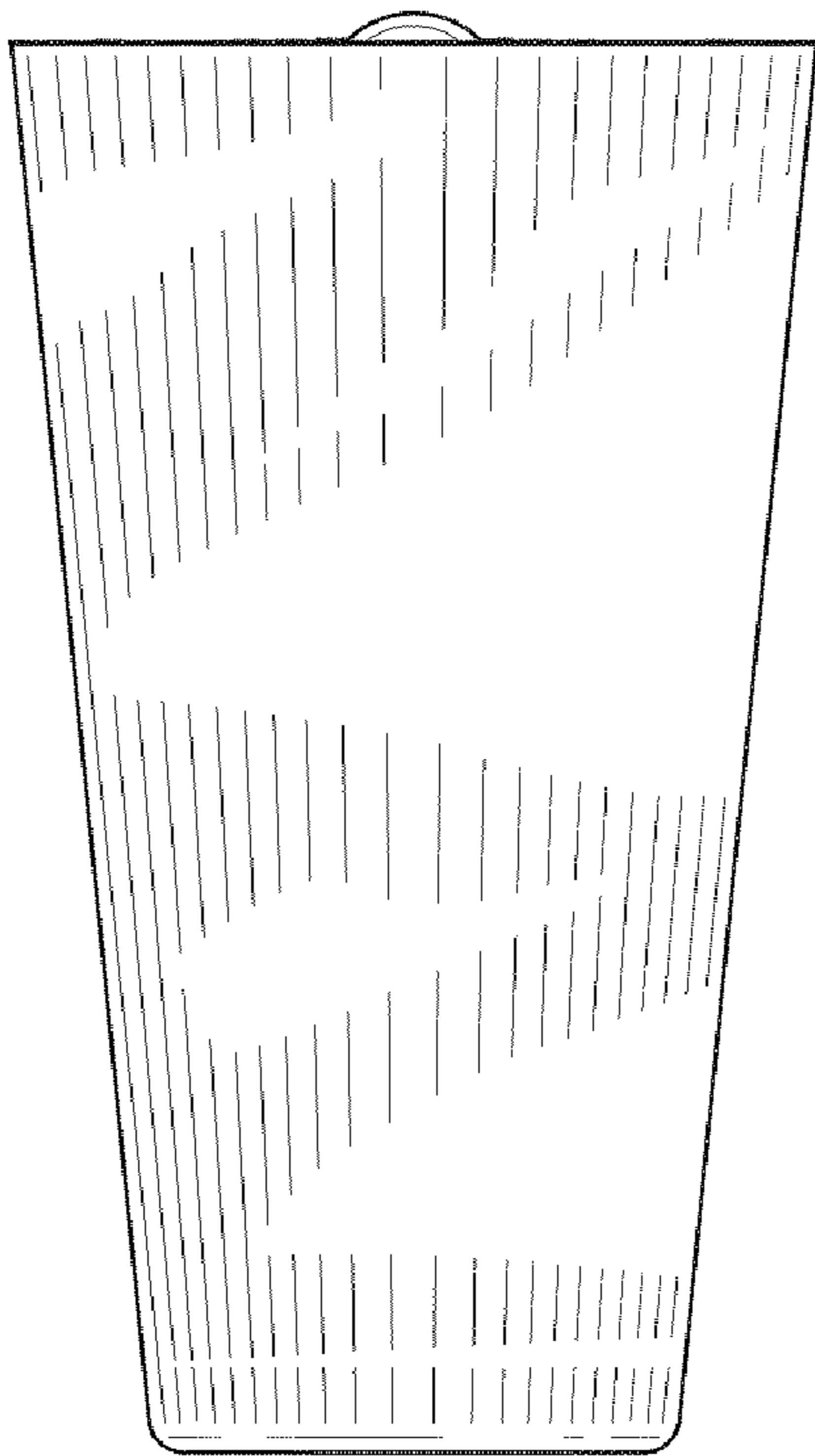


FIG. 2

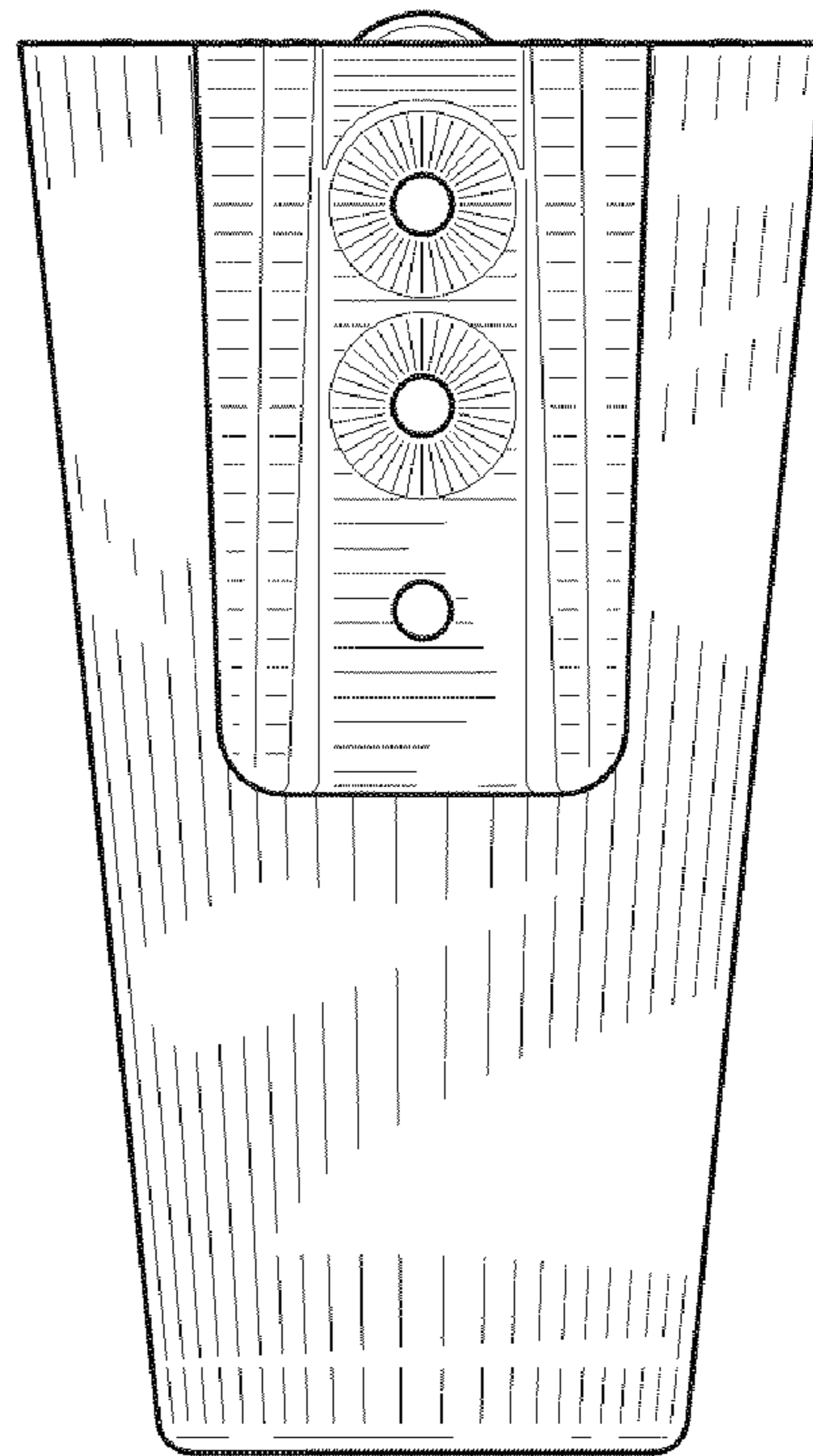


FIG. 3

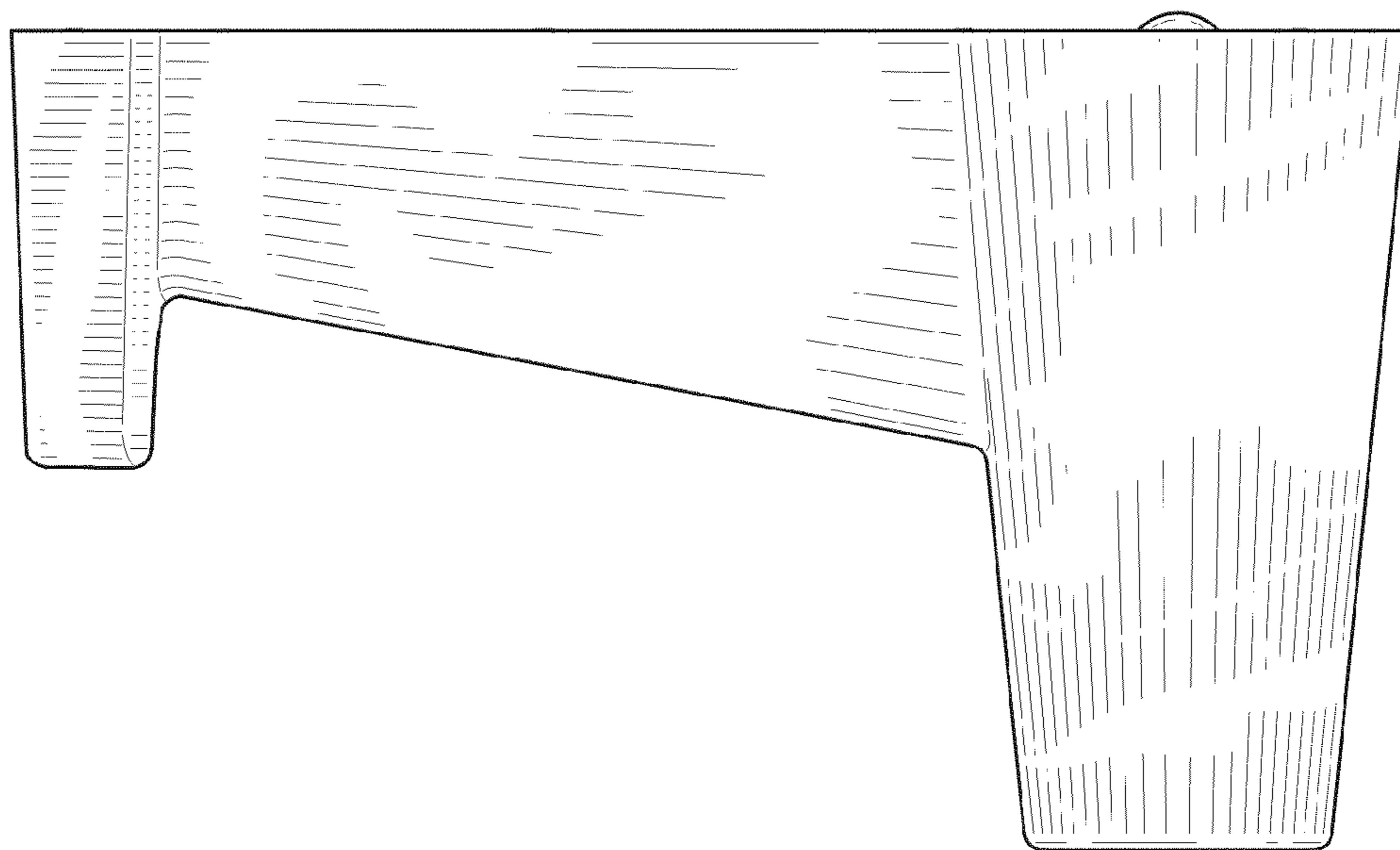


FIG. 4

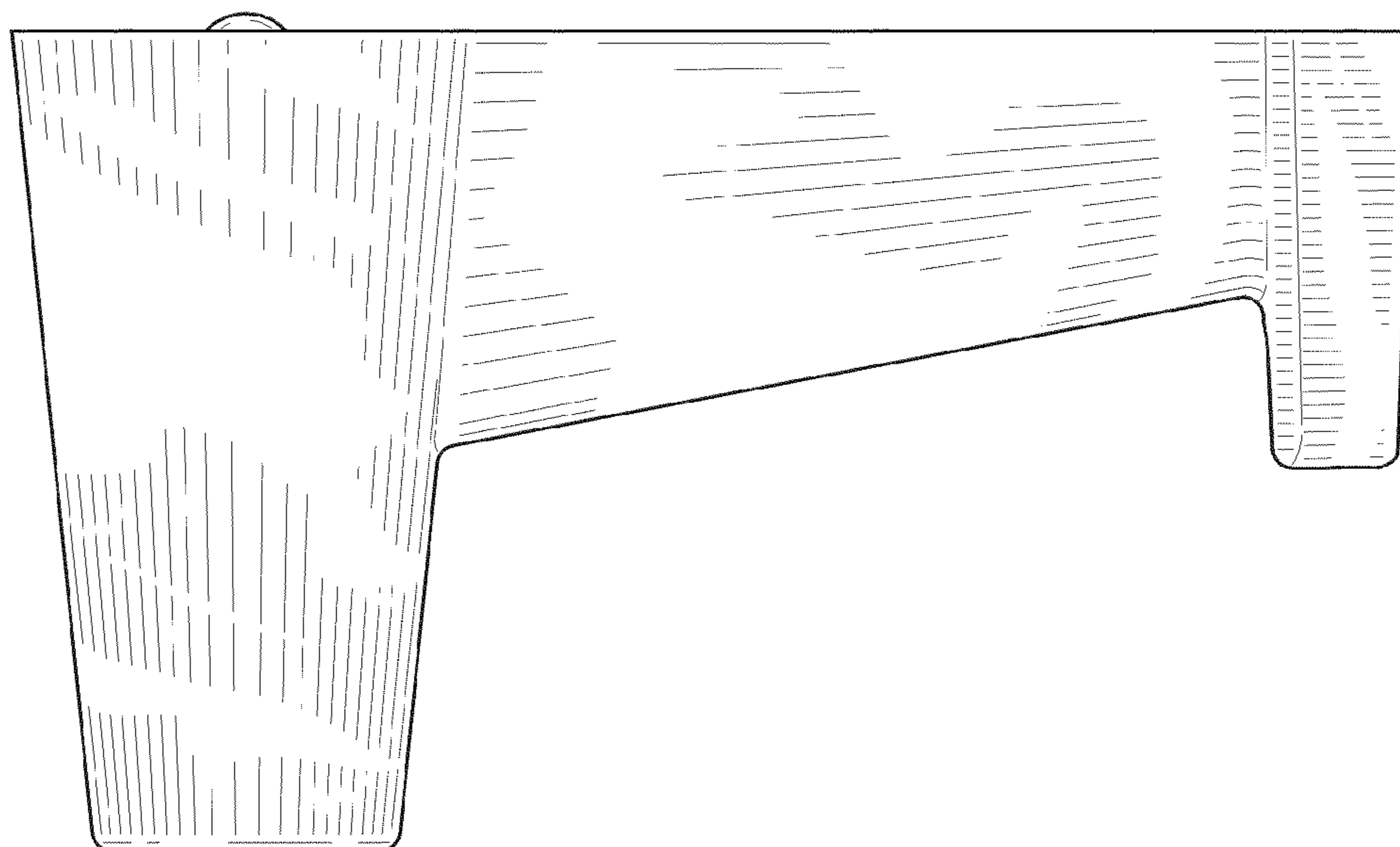


FIG. 5

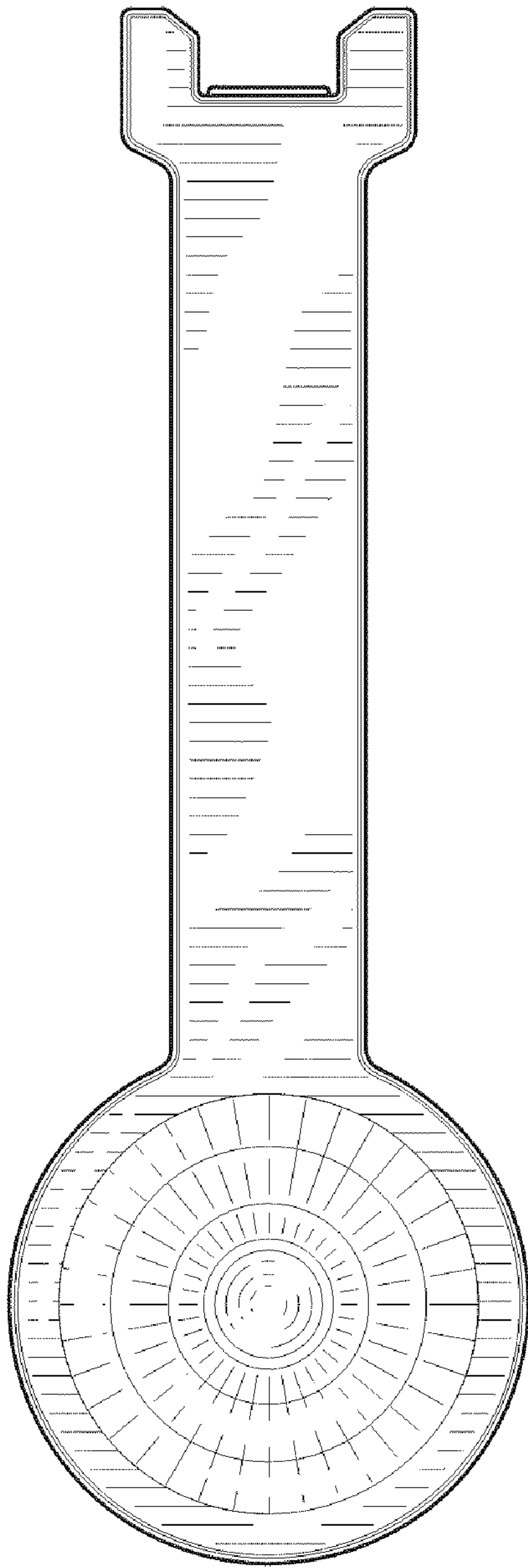


FIG. 6

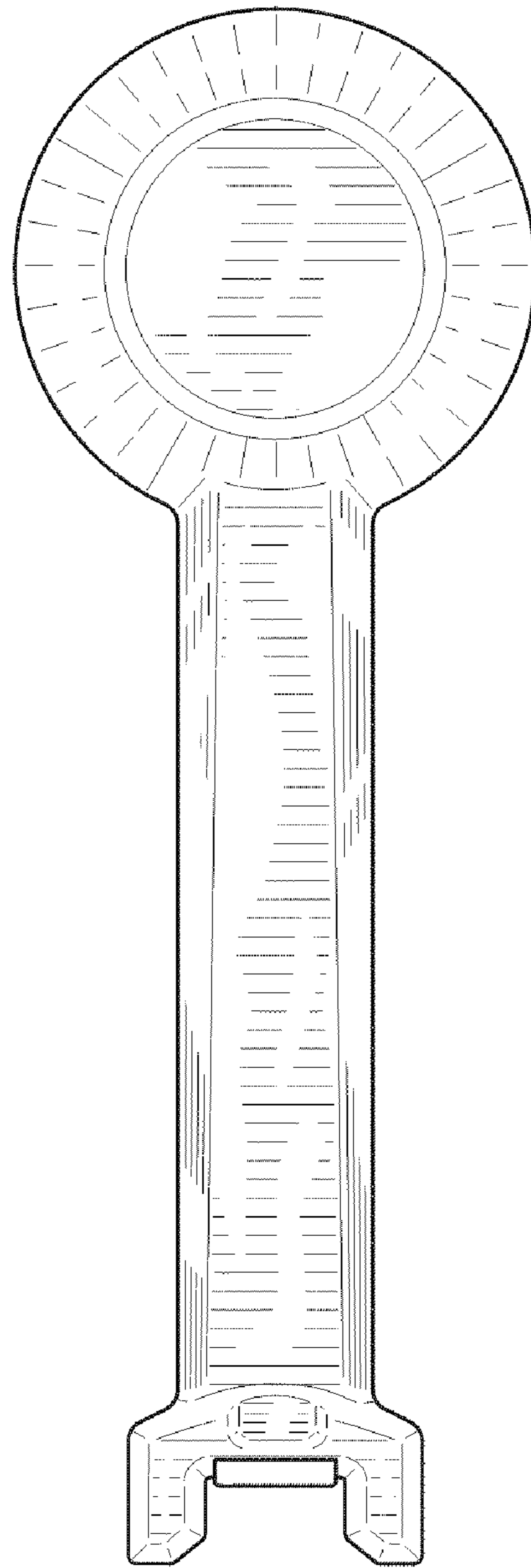


FIG. 7