



US00D631179S

(12) **United States Design Patent**
Kim et al.

(10) **Patent No.:** **US D631,179 S**
(45) **Date of Patent:** **** Jan. 18, 2011**

(54) **LED LAMP WITH A BRACKET**

(76) Inventors: **Min Kong Kim**, 102ho Sangji Villa,
1-61 Bangbae-dong, Seocho-gu, Seoul
(KR) 137-060; **Min Sup Yoon**, 203dong
806ho, Hyundai-Yeonyein Apt. 685-70,
Guro-dong, Guro-gu, Seoul (KR)
152-050

(**) Term: **14 Years**

(21) Appl. No.: **29/316,616**

(22) Filed: **Oct. 14, 2009**

(30) **Foreign Application Priority Data**

Aug. 4, 2009 (KR) 30-2009-0034500

(51) **LOC (9) Cl.** **26-05**

(52) **U.S. Cl.** **D26/63**

(58) **Field of Classification Search** D26/51,
D26/61-66, 71, 68; 362/18, 184, 278, 320,
362/352

See application file for complete search history.

(56) **References Cited**

U.S. PATENT DOCUMENTS

5,347,432 A * 9/1994 Chiavetta 362/18
D418,618 S * 1/2000 Shuenn-Fa D26/65
D523,984 S * 6/2006 Cai D26/61
D571,032 S * 6/2008 Chen D26/61

D598,598 S * 8/2009 Zhou et al. D26/68
D615,235 S * 5/2010 Zheng D26/71
D615,681 S * 5/2010 Thomson et al. D26/63
D616,590 S * 5/2010 Huang et al. D26/63
D617,928 S * 6/2010 Fredricks D26/51

* cited by examiner

Primary Examiner—Mitchell I Siegel
(74) *Attorney, Agent, or Firm*—Harness, Dickey & Pierce,
P.L.C.

(57) **CLAIM**

The ornamental design for a LED lamp with a bracket, as shown and described.

DESCRIPTION

FIG. 1 is a front perspective view of a LED lamp with a bracket embodying our new design;

FIG. 2 is a front view thereof;

FIG. 3 is a rear view thereof;

FIG. 4 is a left side view thereof (the right side being symmetrical with the left side);

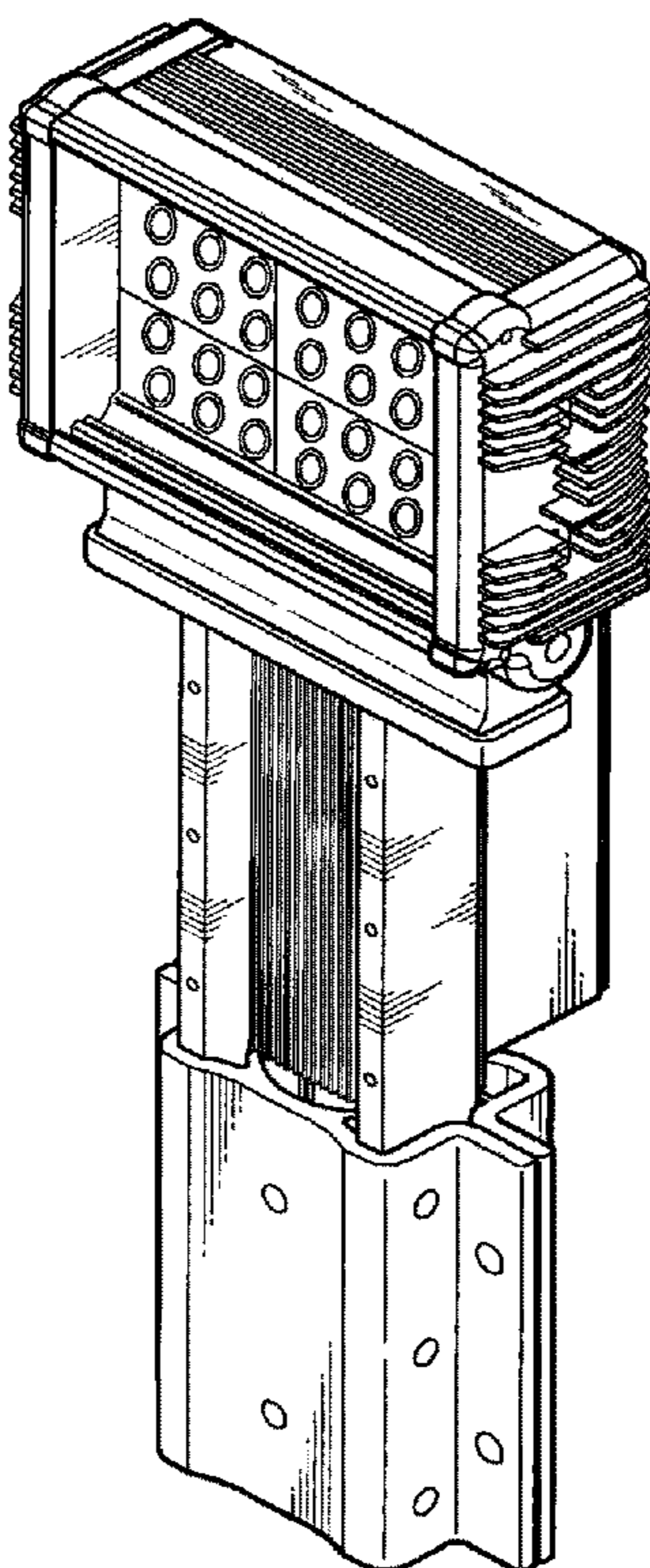
FIG. 5 is a top view thereof;

FIG. 6 is a bottom view thereof; and,

FIG. 7 is a rear perspective view thereof.

The broken lines are for illustrative purposes only and form no part of the claimed design.

1 Claim, 6 Drawing Sheets



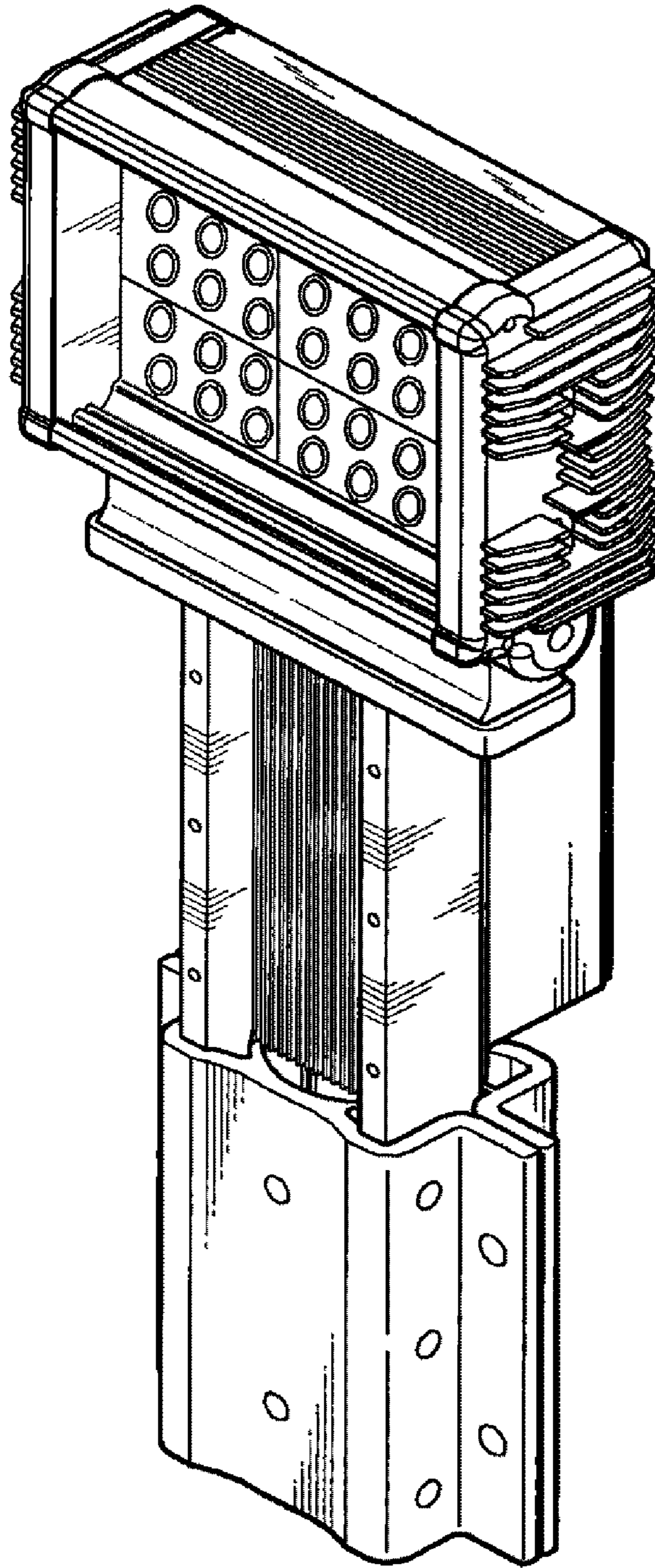


FIG. 1

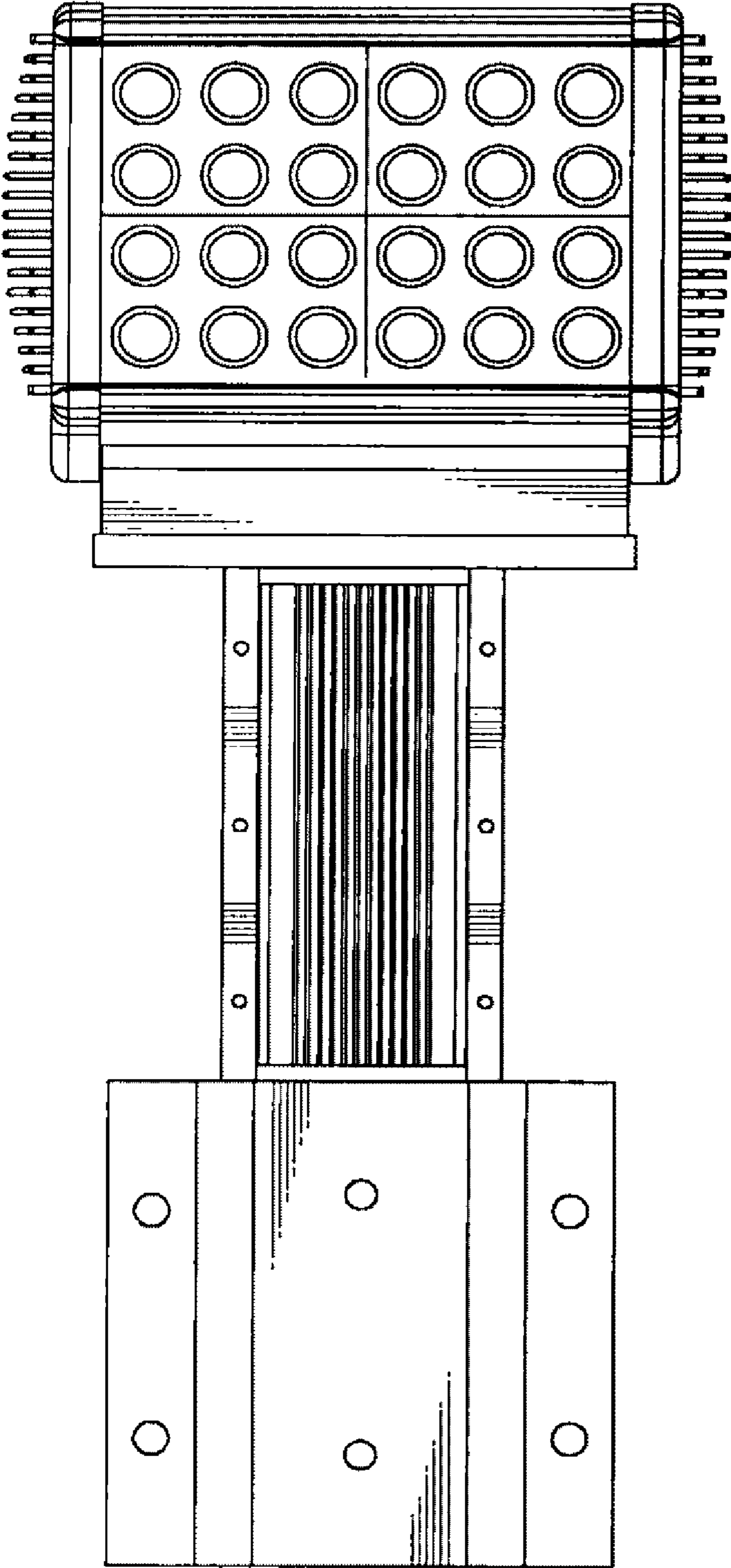


FIG. 2

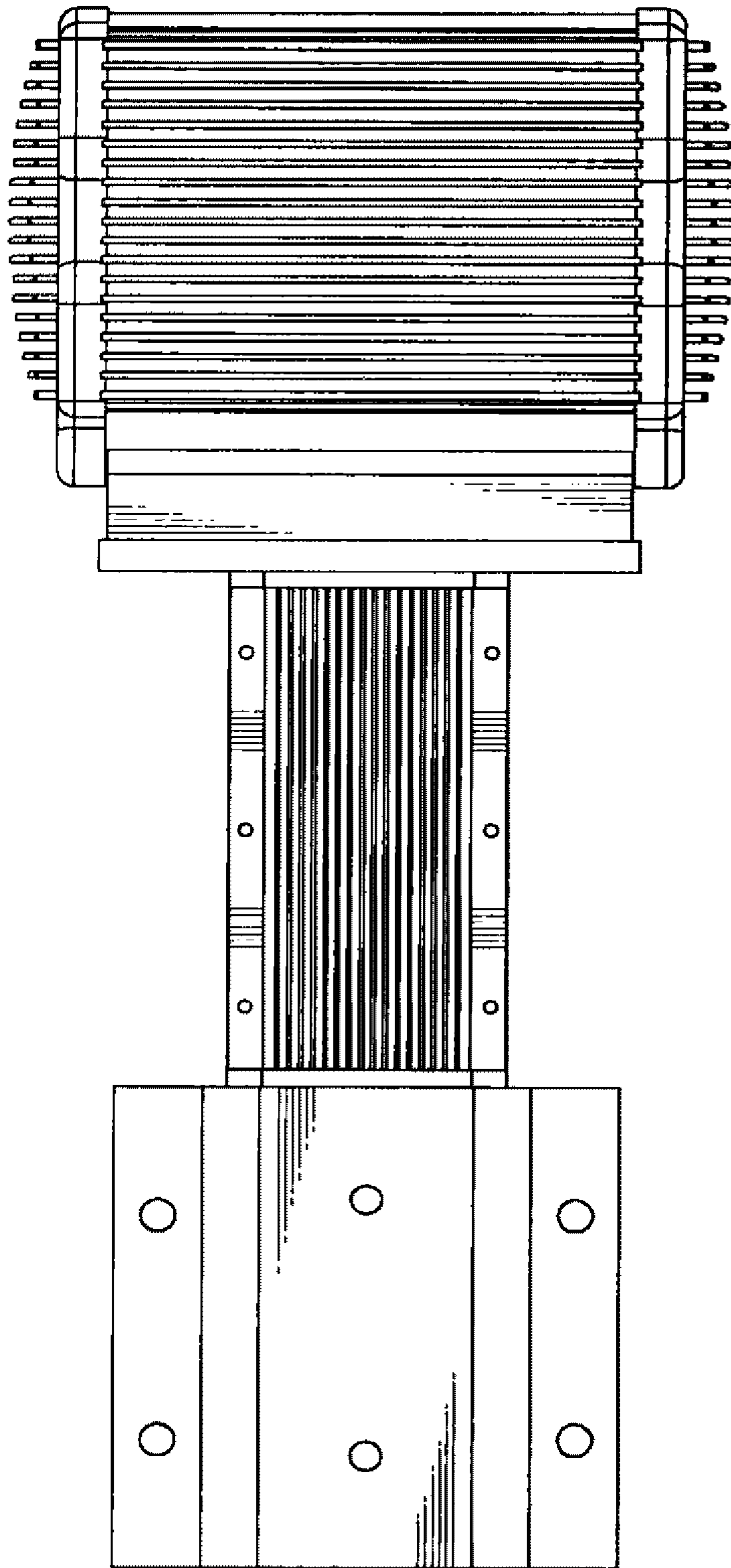


FIG. 3

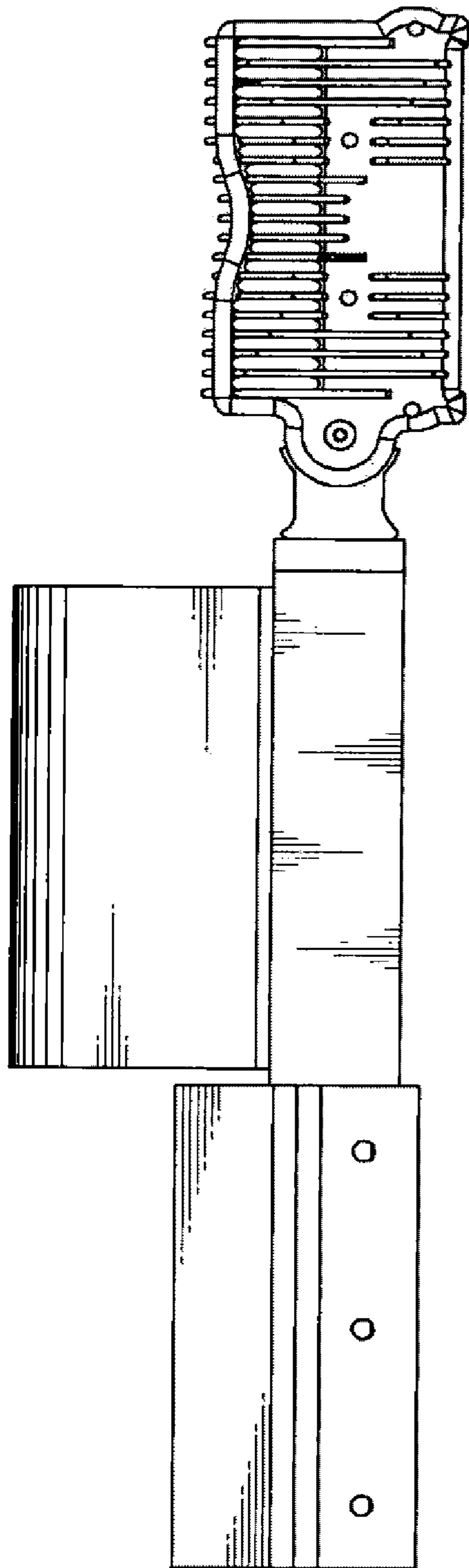


FIG. 4

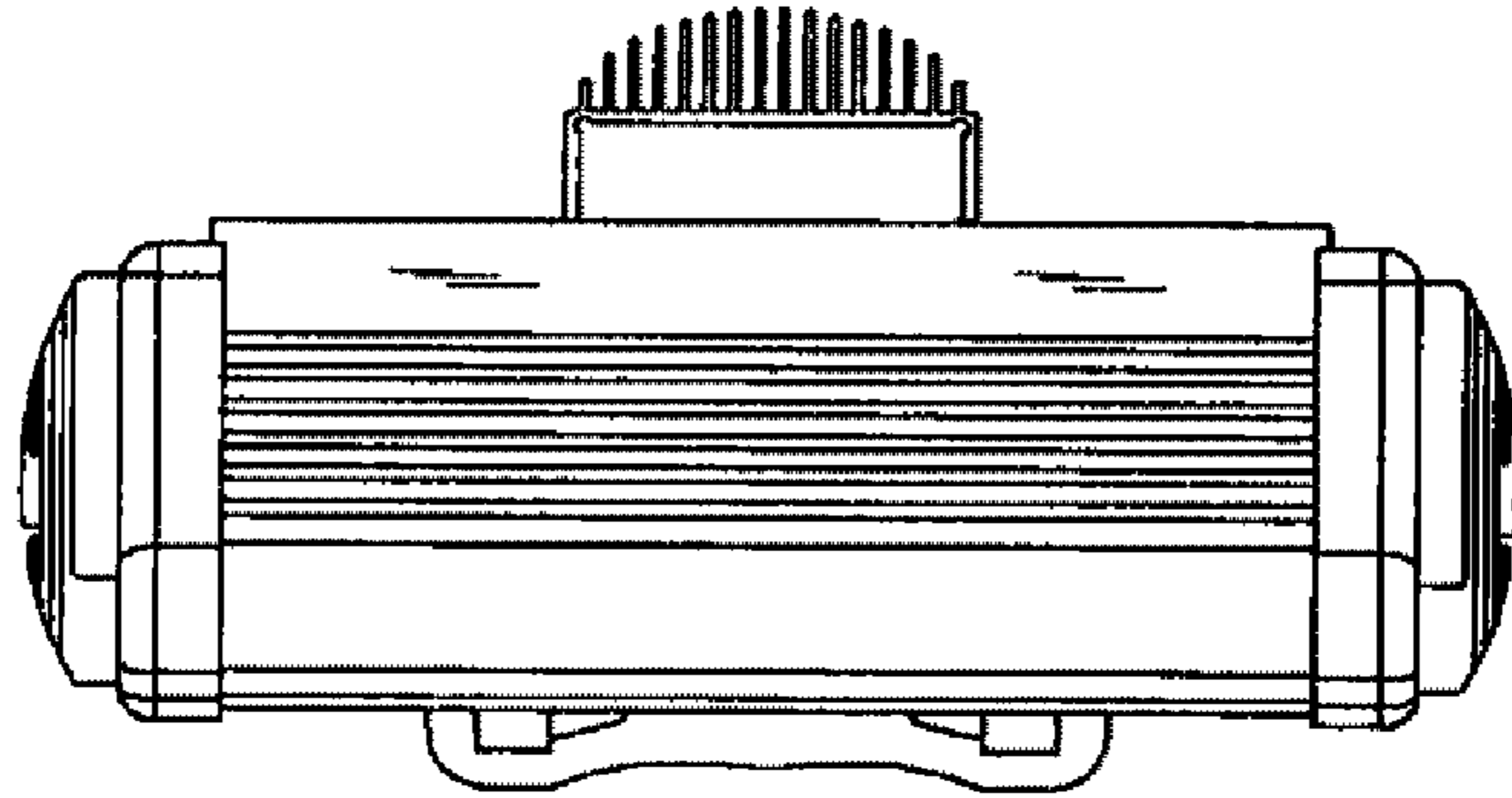


FIG. 5

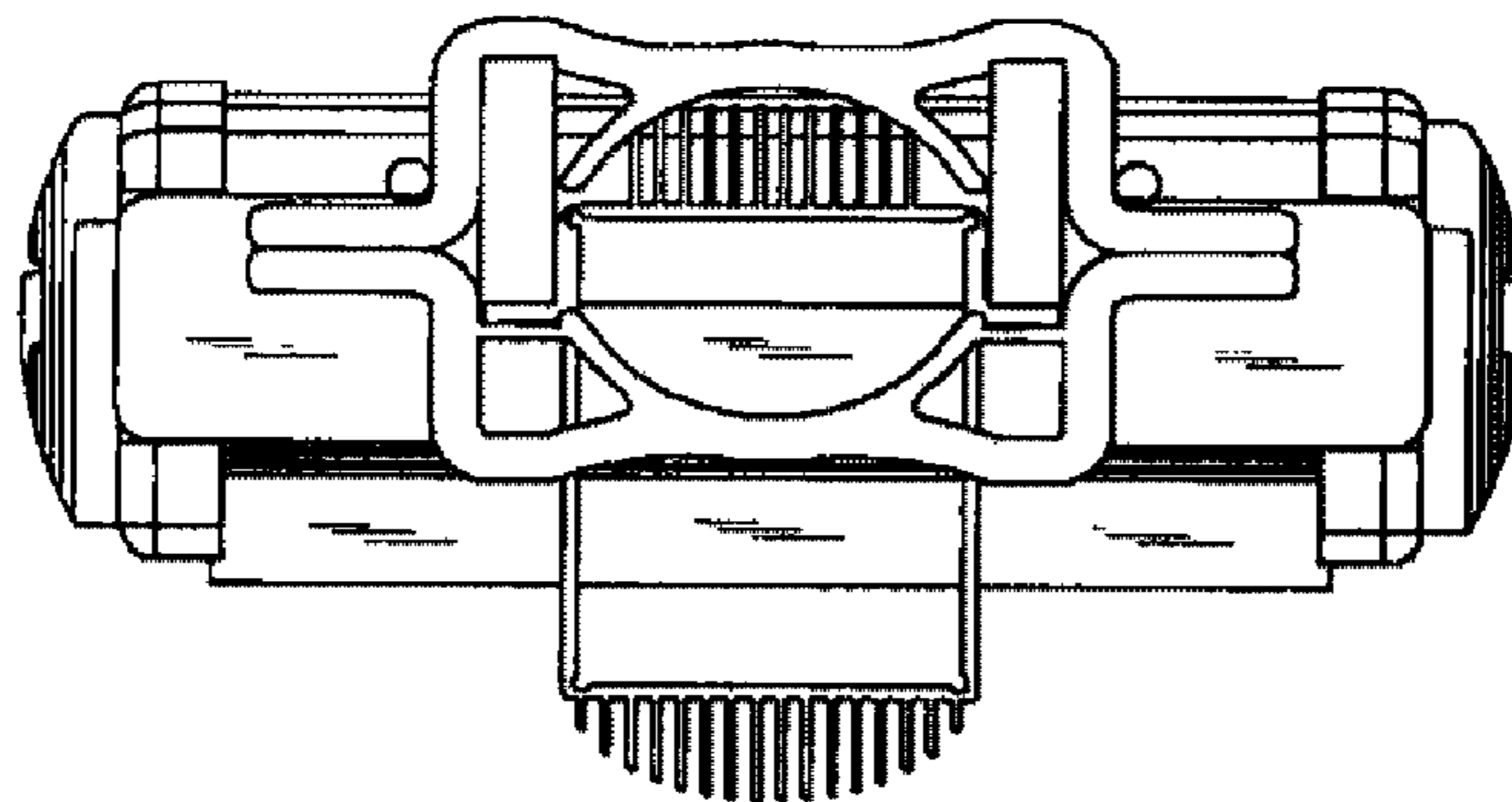


FIG. 6

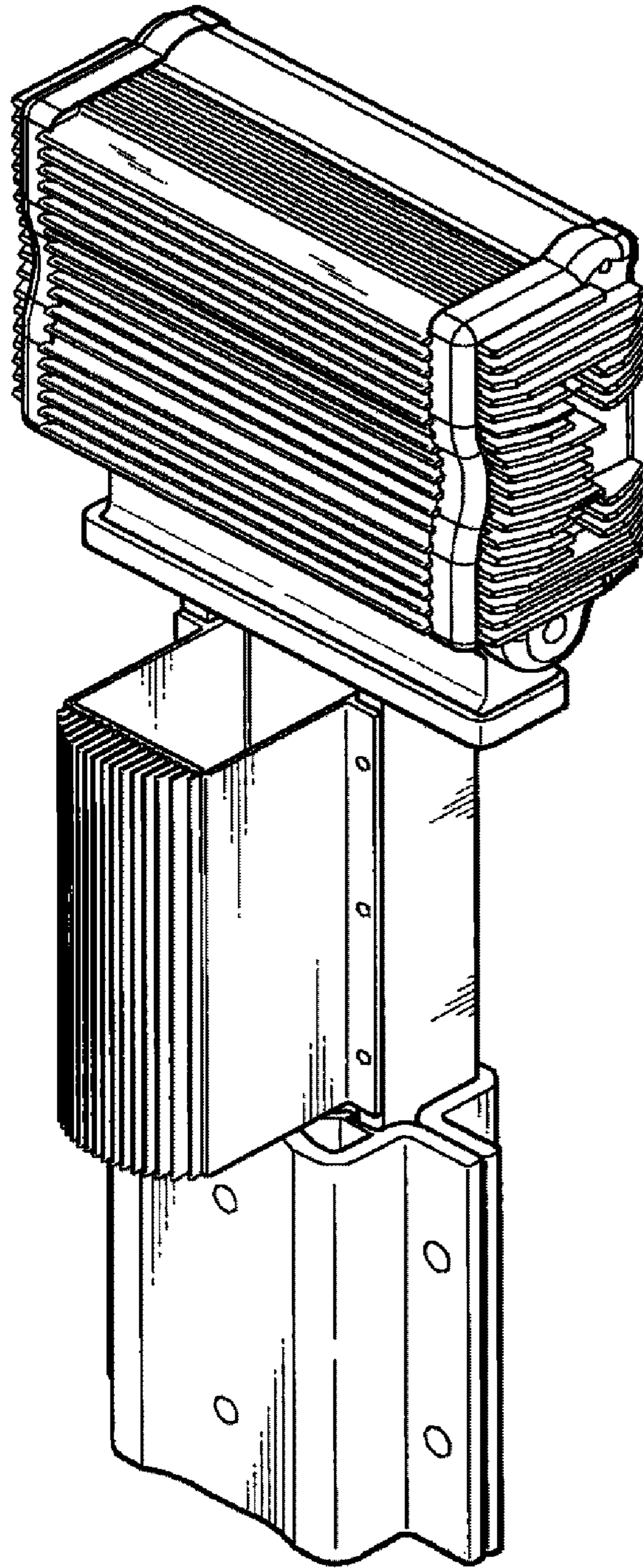


FIG. 7