



US00D631175S

(12) **United States Design Patent**  
**Muñoz Escribano**

(10) **Patent No.:** **US D631,175 S**

(45) **Date of Patent:** **\*\* Jan. 18, 2011**

(54) **SLAT FOR ROLLER SHUTTERS**

(76) **Inventor:** **José Antonio Muñoz Escribano,**  
Apartado de Correos, 10, E-46900  
Torrente, (Valencia) (ES)

(\*\*) **Term:** **14 Years**

(21) **Appl. No.:** **29/347,513**

(22) **Filed:** **Feb. 17, 2010**

(30) **Foreign Application Priority Data**

Aug. 18, 2009 (EM) ..... 001159321-0002

(51) **LOC (9) Cl.** ..... **25-01**

(52) **U.S. Cl.** ..... **D25/119; D25/49**

(58) **Field of Classification Search** ..... D25/119,  
D25/124, 49; 160/133, 238

See application file for complete search history.

(56) **References Cited**

**U.S. PATENT DOCUMENTS**

3,642,050 A \* 2/1972 Piana ..... 160/133  
D274,267 S \* 6/1984 Cushing ..... D25/124  
D288,131 S \* 2/1987 Magro ..... D25/49  
D299,966 S \* 2/1989 Litchfield et al. .... D25/124

D328,139 S \* 7/1992 Boer ..... D25/119  
5,456,305 A \* 10/1995 Snarli ..... 160/133  
5,476,130 A \* 12/1995 Cheng ..... 160/133  
D408,553 S \* 4/1999 Lai ..... D25/49  
D421,137 S \* 2/2000 Marshall ..... D25/119  
6,095,225 A \* 8/2000 Miller ..... 160/133  
D450,857 S \* 11/2001 Schoeren ..... D25/49  
D472,332 S \* 3/2003 Wenrick et al. .... D25/119  
6,742,563 B2 \* 6/2004 Belanger ..... 160/133

\* cited by examiner

*Primary Examiner*—Doris Clark

(74) *Attorney, Agent, or Firm*—Breiner & Breiner, LLC

(57) **CLAIM**

The ornamental design for slat for roller shutters, as shown and described.

**DESCRIPTION**

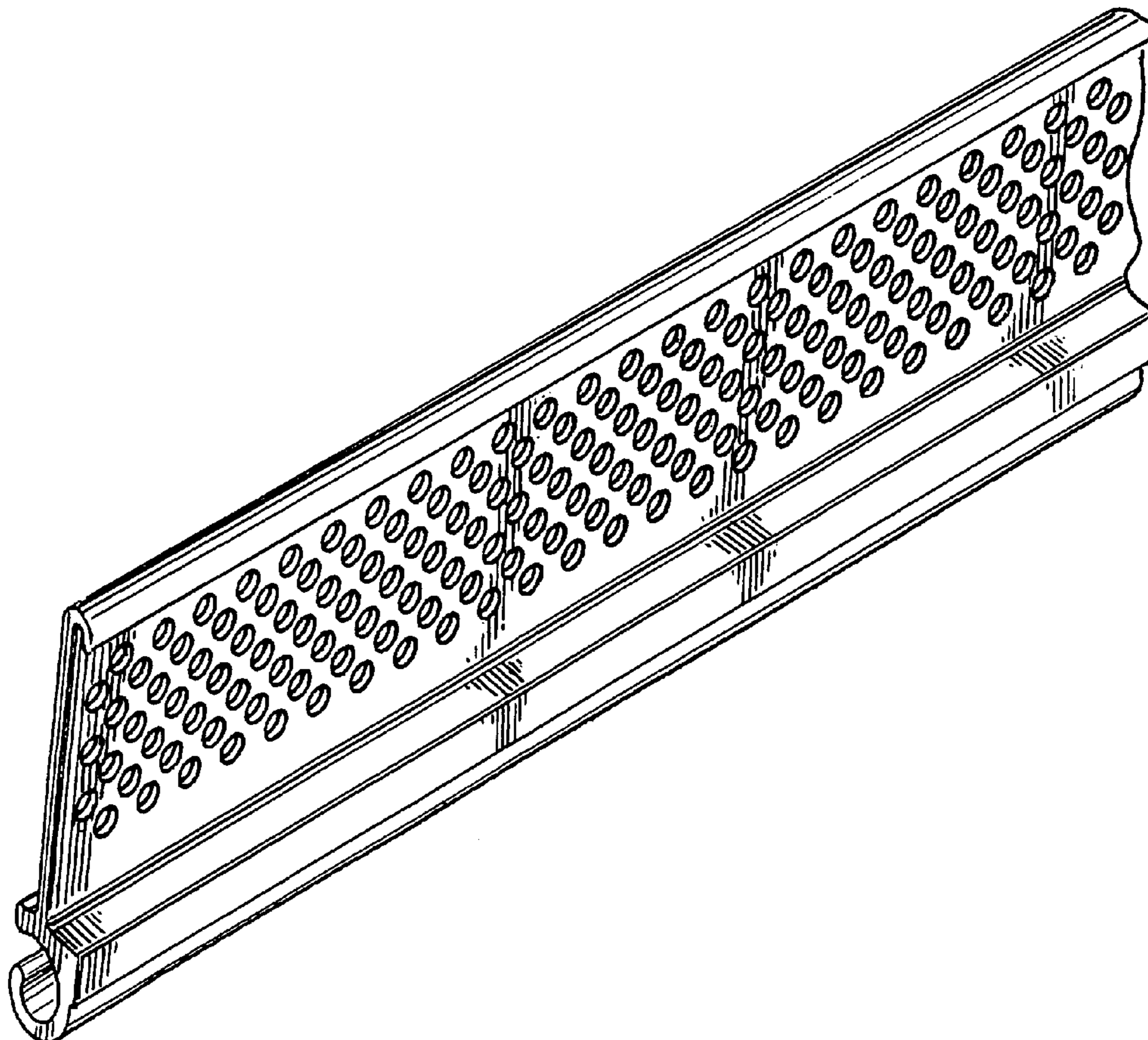
FIG. 1 is an end view of the invention, wherein the opposite end view is a mirror image thereof;

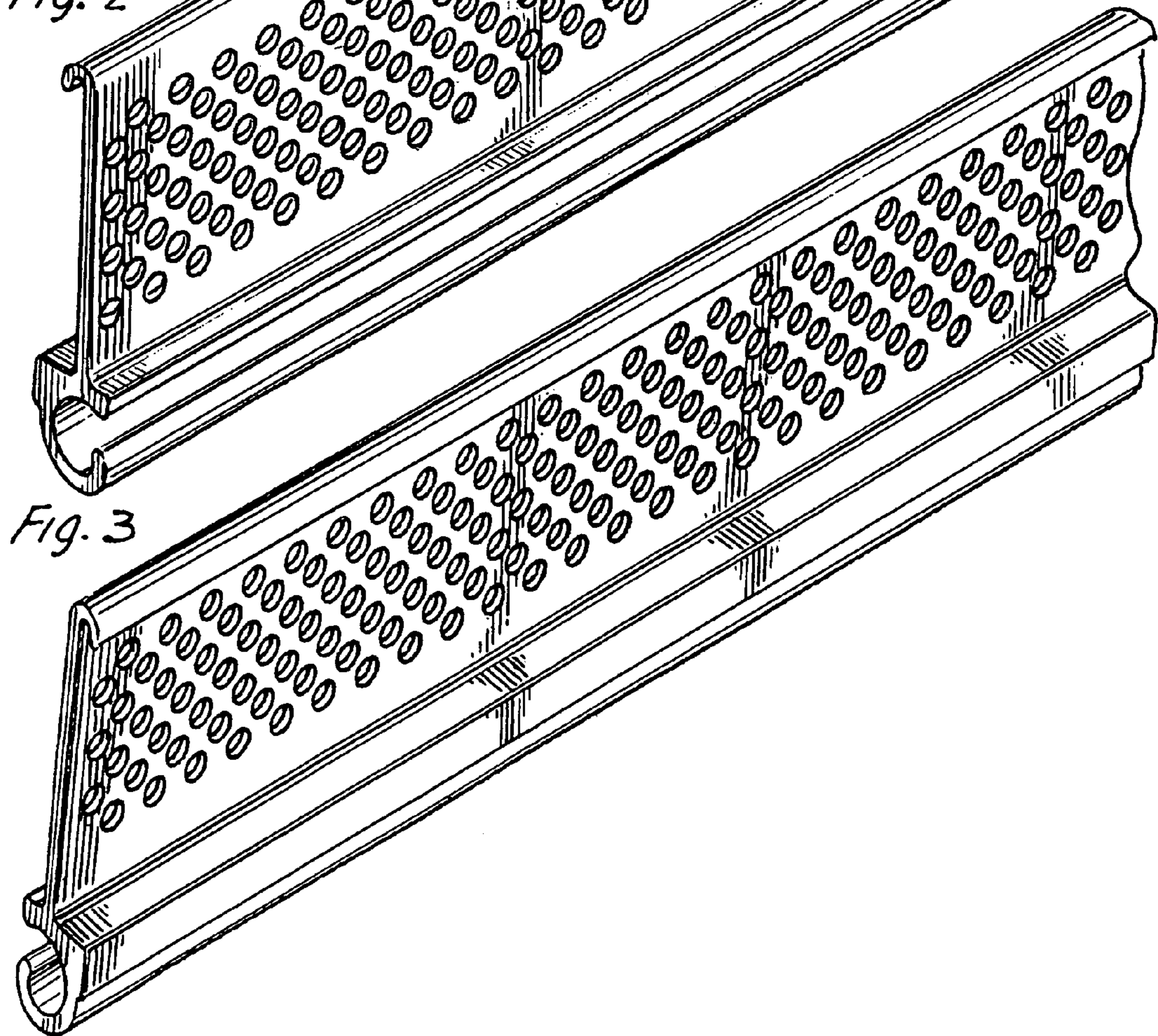
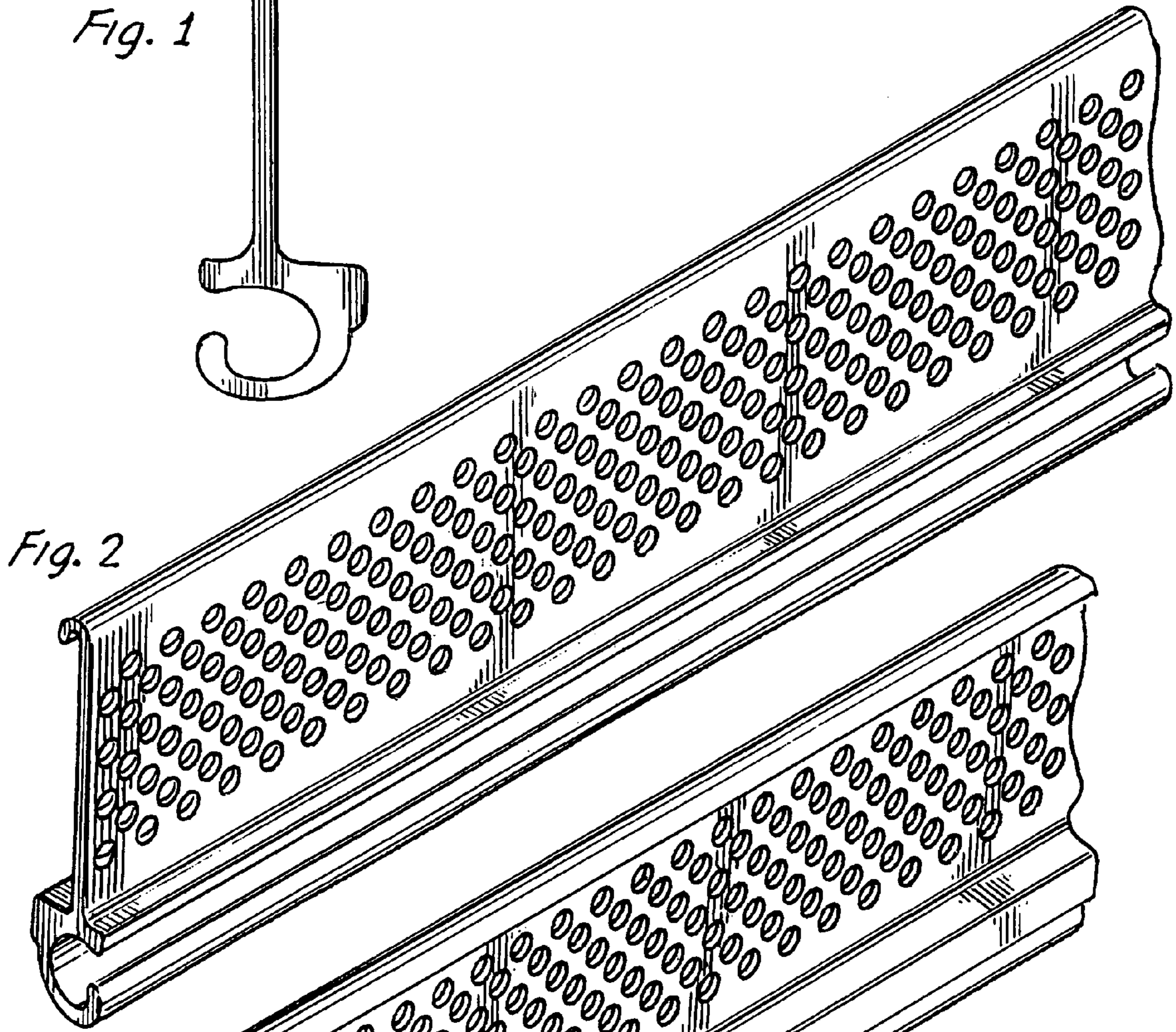
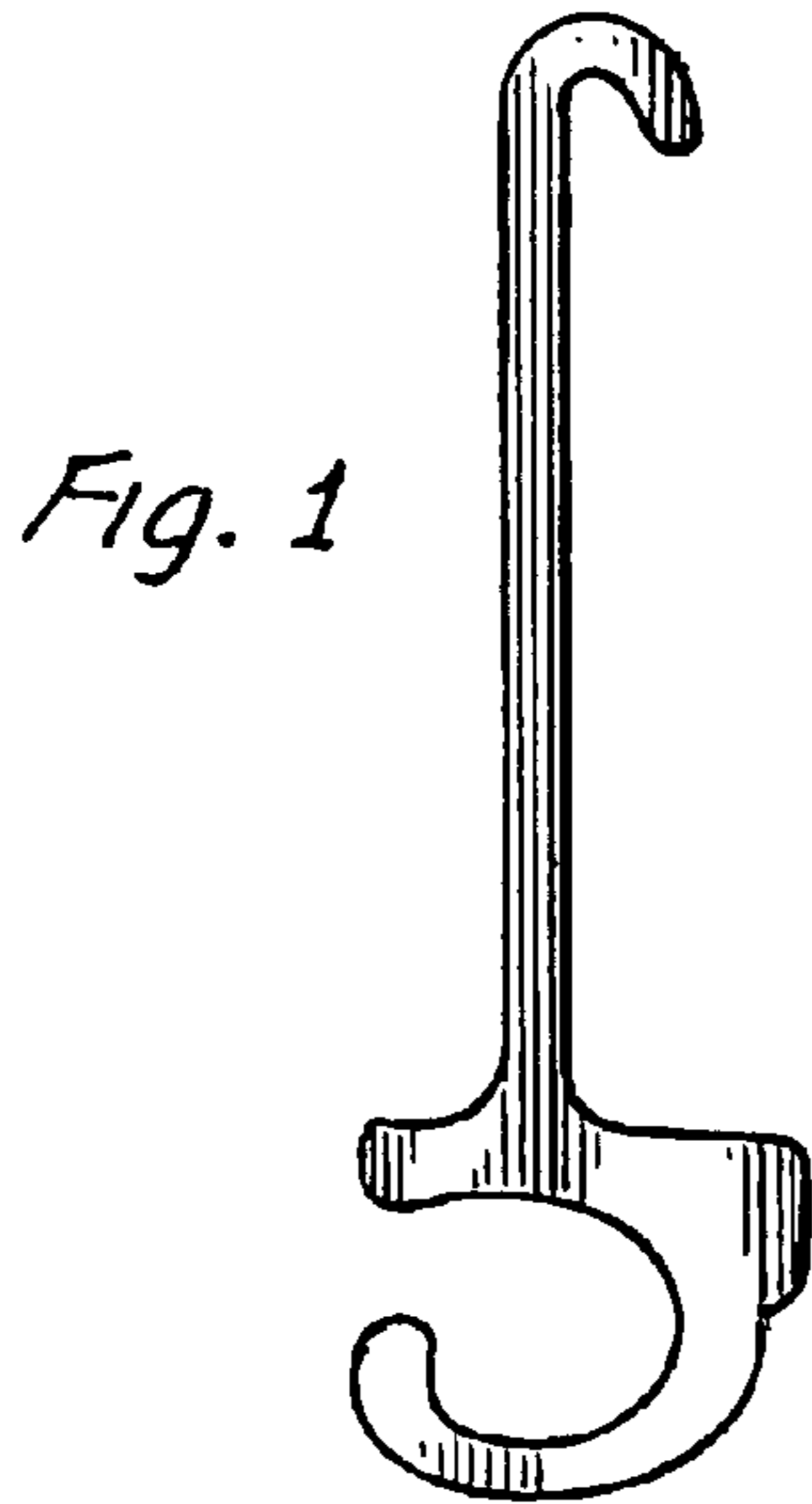
FIG. 2 is a back perspective view of the invention; and,

FIG. 3 is a front perspective view of the invention.

The claimed design has been illustrated broken on one end to indicate indeterminate length.

**1 Claim, 1 Drawing Sheet**







UNITED STATES PATENT AND TRADEMARK OFFICE  
**CERTIFICATE OF CORRECTION**

PATENT NO. : D631,175 S  
APPLICATION NO. : 29/347513  
DATED : January 18, 2011  
INVENTOR(S) : José Antonio Muñoz Escribano

Page 1 of 1

It is certified that error appears in the above-identified patent and that said Letters Patent is hereby corrected as shown below:

Column 2, in the Description,

“FIG. 1 is an end view of the invention, wherein the opposite end view is a mirror image thereof;”  
should read -- FIG. 1 is an end view of the slat for roller shutters, wherein the opposite  
end view is a mirror image thereof; --;

“FIG. 2 is a back perspective view of the invention; and” should read  
-- FIG. 2 is a back perspective view of the slat for roller shutters; and --;

“FIG. 3 is a front perspective view of the invention.” should read  
-- FIG. 3 is a front perspective view of the slat for roller shutters. --;

Signed and Sealed this  
Fifth Day of April, 2011



David J. Kappos  
*Director of the United States Patent and Trademark Office*