



US00D631171S

(12) **United States Design Patent**
Konrad

(10) **Patent No.:** **US D631,171 S**
(45) **Date of Patent:** **** Jan. 18, 2011**

(54) **ROLLING SHUTTER SIDE RAIL**
(76) Inventor: **Walter Martin Konrad**, 2120
Wimbelton Ct., Houston, TX (US) 77581
(**) Term: **14 Years**
(21) Appl. No.: **29/348,671**
(22) Filed: **Jan. 28, 2010**

D408,553 S * 4/1999 Lai D25/49
D421,137 S * 2/2000 Marshall D25/119
6,095,225 A 8/2000 Miller
D450,857 S * 11/2001 Schoeren D25/49
D472,332 S * 3/2003 Wenrick et al. D25/119
6,631,749 B1 10/2003 Zabala
6,742,563 B2 * 6/2004 Belanger 160/133
6,951,236 B2 10/2005 Schlater et al.
7,100,665 B2 9/2006 Miller

* cited by examiner

Primary Examiner—Doris Clark

(51) **LOC (9) Cl.** **25-02**
(52) **U.S. Cl.** **D25/49; D25/124**
(58) **Field of Classification Search** D25/119,
D25/124, 49; 160/133, 238
See application file for complete search history.

(57) **CLAIM**

The ornamental design for a rolling shutter side rail, as shown.

(56) **References Cited**

U.S. PATENT DOCUMENTS

3,642,050 A * 2/1972 Piana 160/133
D274,267 S * 6/1984 Cushing D25/124
D288,131 S * 2/1987 Magro D25/49
D299,966 S * 2/1989 Litchfield et al. D25/124
D328,139 S * 7/1992 Boer D25/119
5,456,305 A * 10/1995 Snarli 160/133
5,476,130 A * 12/1995 Cheng 160/133
5,839,493 A 11/1998 Quasius

DESCRIPTION

FIG. 1 is an end view of a rolling shutter side rail showing our new design/the opposite end view being a mirror image; and, FIG. 2 is a perspective front view thereof.

The characteristic feature of the design resides in the outer silhouette of the profile.

1 Claim, 1 Drawing Sheet

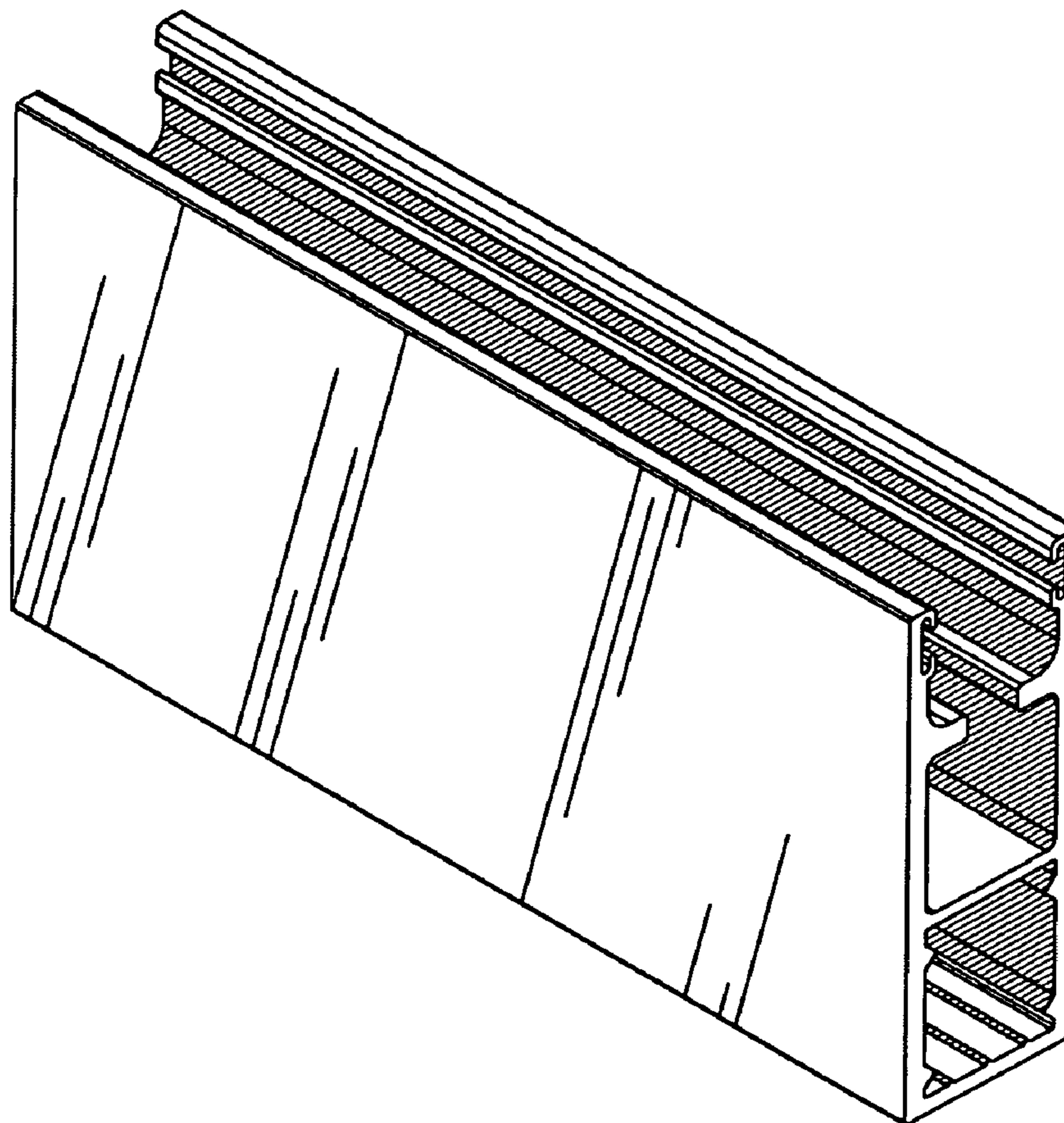


FIG1.

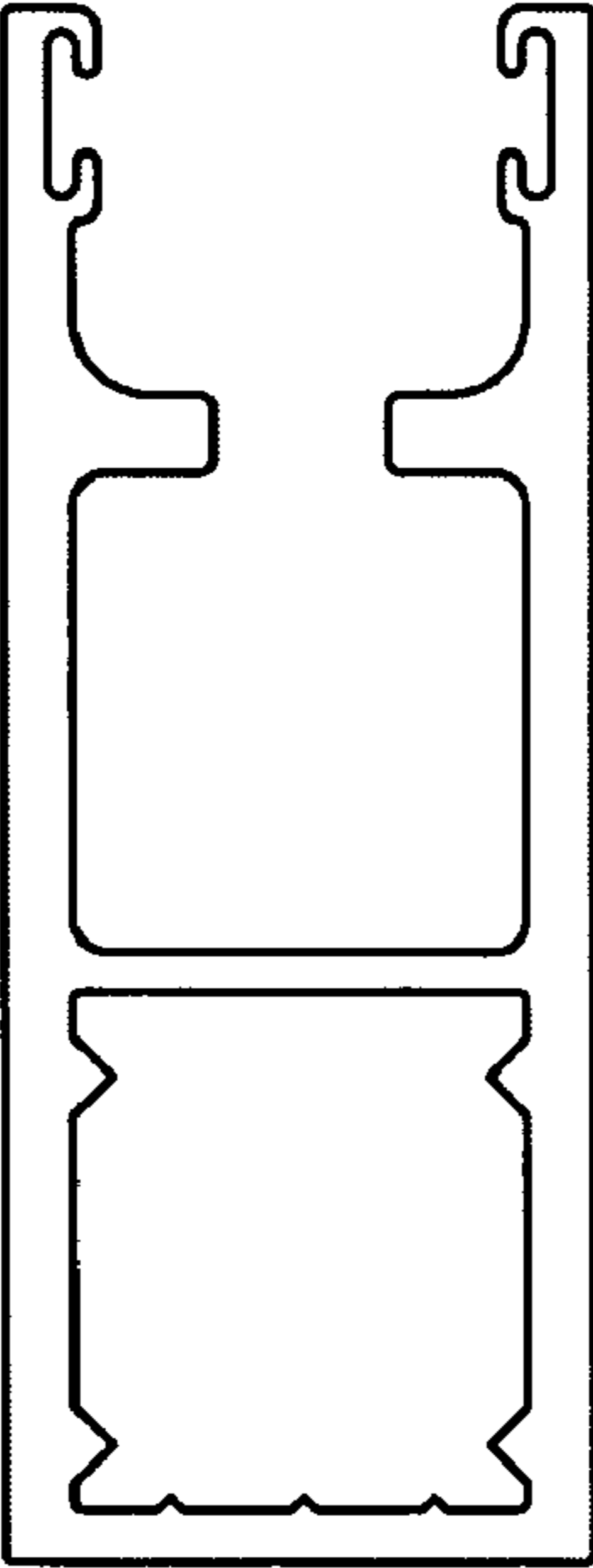


FIG2.

