



US00D631169S

(12) **United States Design Patent**
Cheeley et al.

(10) **Patent No.:** **US D631,169 S**
(45) **Date of Patent:** **** Jan. 18, 2011**

(54) **BIOLOGICAL SPECIMEN CONTAINER**

(75) Inventors: **Robert D. Cheeley**, Duluth, GA (US);
Robert M. Lloyd, Jr., Suwanee, GA
(US)

(73) Assignee: **ViveBio, LLC**, Norcross, GA (US)

(**) Term: **14 Years**

(21) Appl. No.: **29/350,608**

(22) Filed: **Nov. 19, 2009**

(51) **LOC (9) Cl.** **24-01**

(52) **U.S. Cl.** **D24/224**

(58) **Field of Classification Search** D24/216,
D24/222-226, 231, 232, 169; D10/81; D3/203.1-203.8;
422/99, 102; D9/503, 504, 505, 529, 530,
D9/549; 435/288.1, 288.3, 288.4, 304.1,
435/305.1, 305.3, 305.4

See application file for complete search history.

(56) **References Cited**

U.S. PATENT DOCUMENTS

D254,242 S * 2/1980 Morin D9/504
D310,781 S * 9/1990 Scott, III D9/529

D322,218 S * 12/1991 Lynd D9/556
D383,851 S * 9/1997 Wong D24/224
5,672,321 A * 9/1997 Daykin 422/102
5,948,307 A * 9/1999 Stalling 422/102
D425,625 S * 5/2000 Niermann D24/224
6,562,300 B2 * 5/2003 Rosen et al. 422/102

* cited by examiner

Primary Examiner—T. Chase Nelson

Assistant Examiner—Anhdao Doan

(74) *Attorney, Agent, or Firm*—Sutherland Asbill & Brennan
LLP

(57) **CLAIM**

The ornamental design for a biological specimen container,
as shown and described.

DESCRIPTION

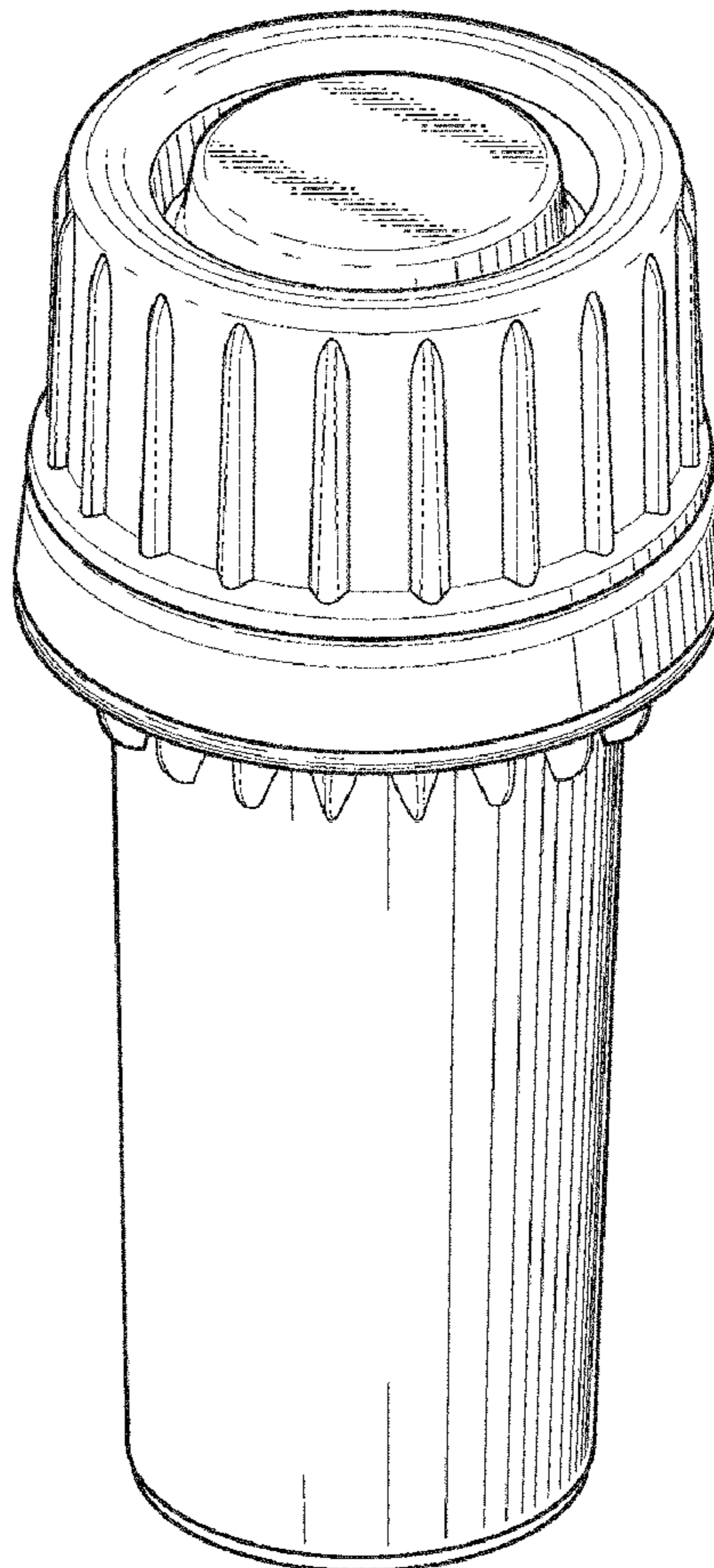
FIG. 1 is a top perspective view of our new biological speci-
men container;

FIG. 2 is a side view thereof (the opposite side view being a
mirror image);

FIG. 3 is a top view thereof; and,

FIG. 4 is bottom view thereof.

1 Claim, 3 Drawing Sheets



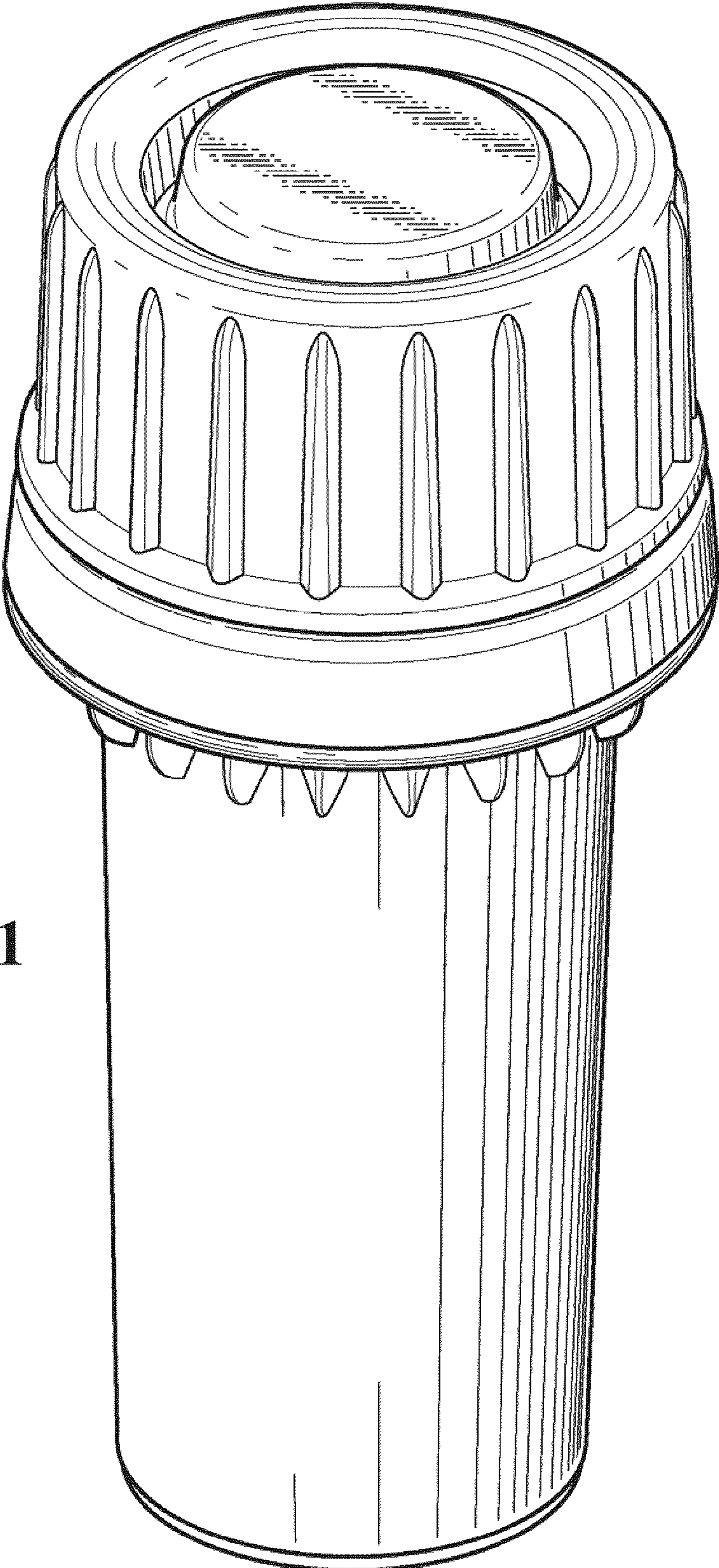


FIG. 1

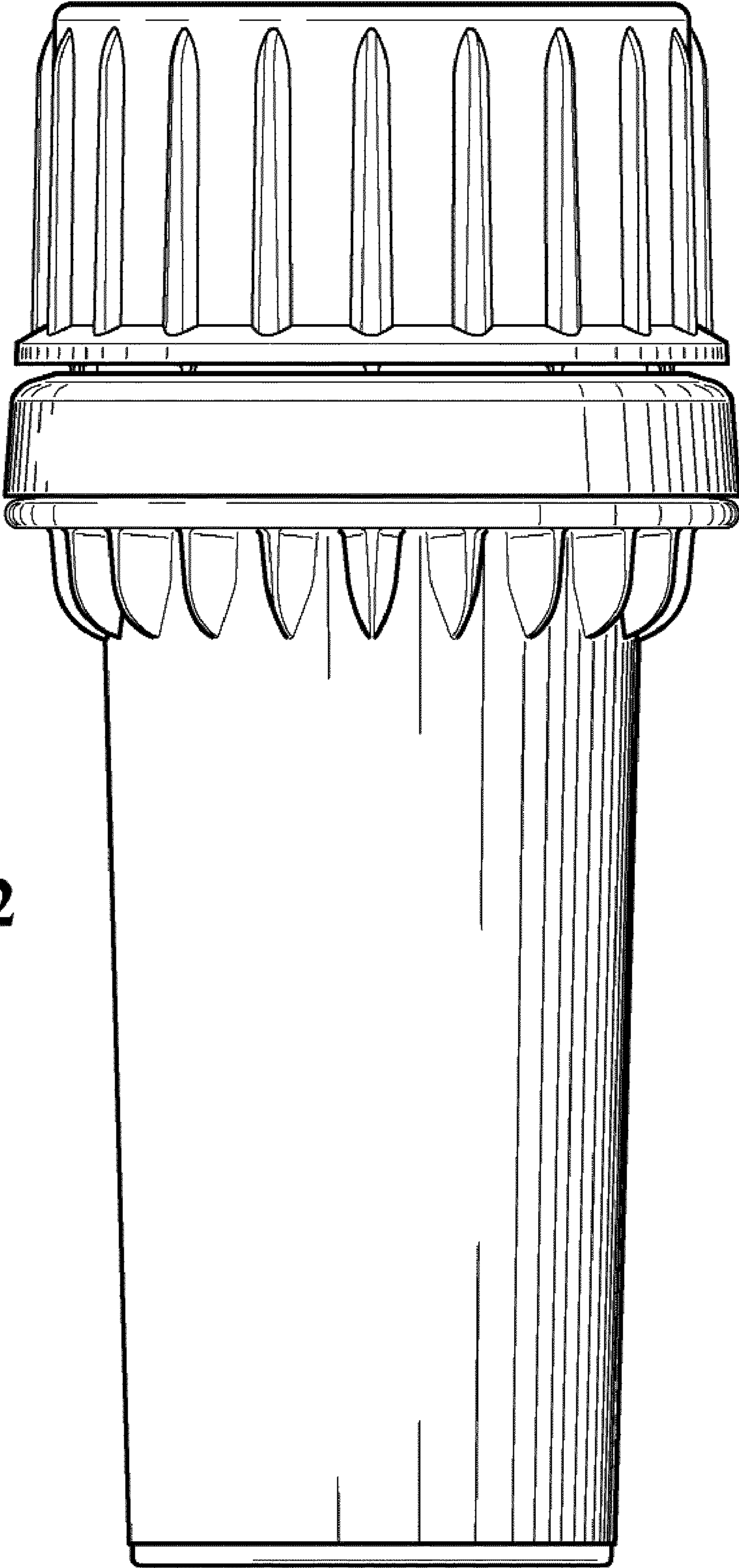


FIG. 2

FIG. 3

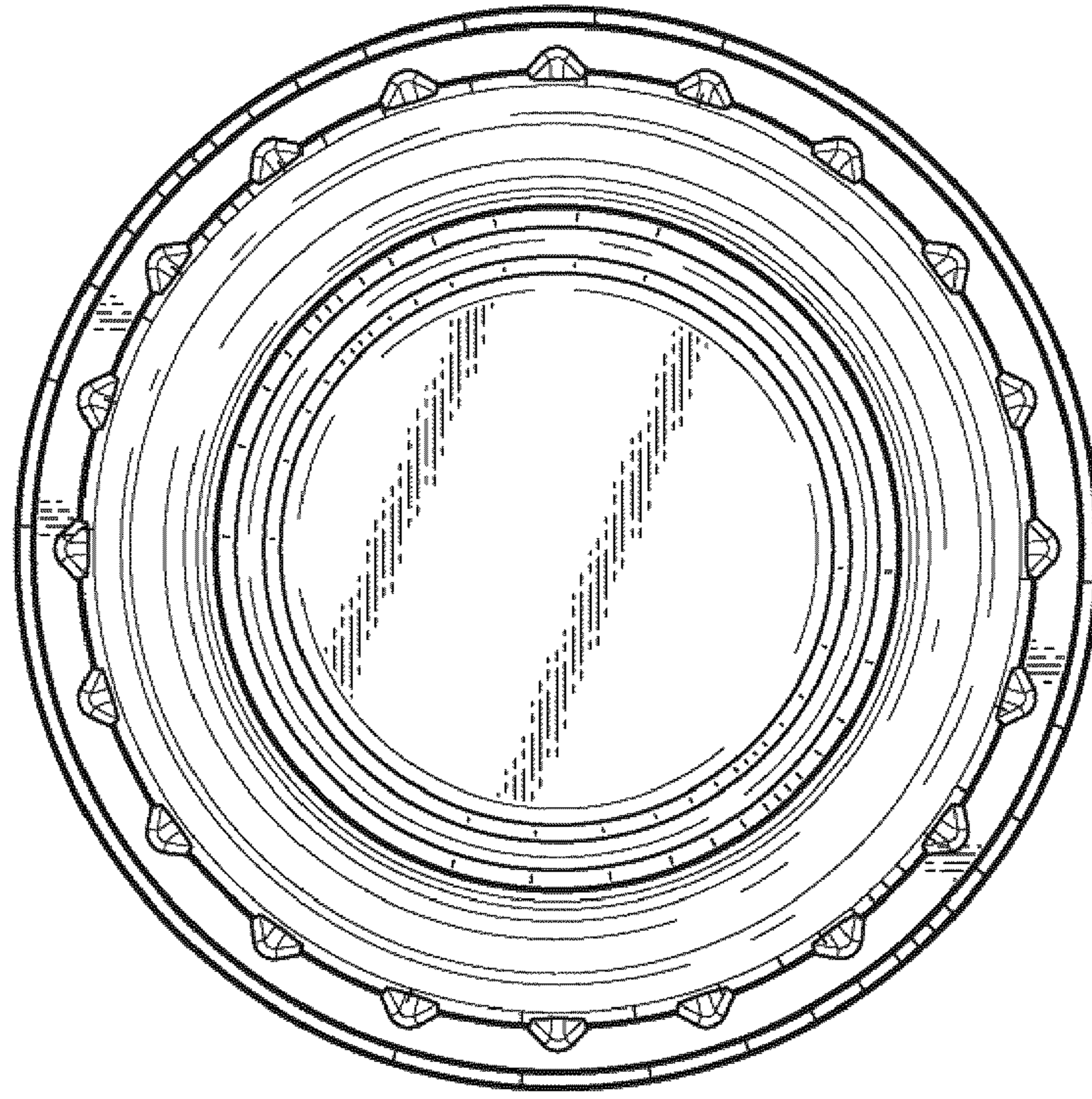


FIG. 4

