



US00D631159S

(12) **United States Design Patent**
Doll

(10) **Patent No.:** **US D631,159 S**
(45) **Date of Patent:** **** Jan. 18, 2011**

(54) **HANDGRIP FOR MEDICAL DEVICE**

6,974,458 B2 * 12/2005 Muller et al. 606/46

(75) Inventor: **Frank Doll**, Talheim (DE)

(Continued)

(73) Assignee: **Karl Storz GmbH & Co. KG**,
Tuttlingen (DE)

FOREIGN PATENT DOCUMENTS

(**) Term: **14 Years**

EM 000340971-0001 * 5/2005

(21) Appl. No.: **29/350,531**

(Continued)

(22) Filed: **Nov. 18, 2009**

Primary Examiner—Bridget L Eland

(30) **Foreign Application Priority Data**

(74) *Attorney, Agent, or Firm*—Muncy, Geissler, Olds &
Lowe, PLLC

May 18, 2009 (EM) 001516550-0014

(51) **LOC (9) Cl.** **24-02**

(52) **U.S. Cl.** **D24/138**

(58) **Field of Classification Search** D24/133,
D24/134, 135, 136, 137, 138, 139, 140, 141,
D24/142, 143, 146, 150, 152, 144, 145, 147,
D24/148, 149, 151, 153, 154, 127, 128, 129,
D24/130, 106–108, 112, 111, 200; D23/233,
D23/235; D8/40, 47, 57, 60, 67, 68, 69,
D8/80, 82, 83, 84, 93, 94, 97, 107; 600/184,
600/201–203, 210–218, 220–223, 224, 225–227;
606/7, 86 A, 86 B, 119

See application file for complete search history.

(57) **CLAIM**

The ornamental design for a handgrip for medical device, as shown and described.

DESCRIPTION

FIG. 1 is a left side perspective view of a handgrip for medical device of the present invention.

FIG. 2 is a right side perspective view of the handgrip for medical device of FIG. 1.

FIG. 3 is a front perspective view of the handgrip for medical device of FIG. 1.

FIG. 4 is a rear perspective view of the handgrip for medical device of FIG. 1.

FIG. 5 is a top perspective view of the handgrip for medical device of FIG. 1.

FIG. 6 is a bottom perspective view of the handgrip for medical device of FIG. 1; and,

FIG. 7 is a three-quarter perspective view of the handgrip for medical device of FIG. 1.

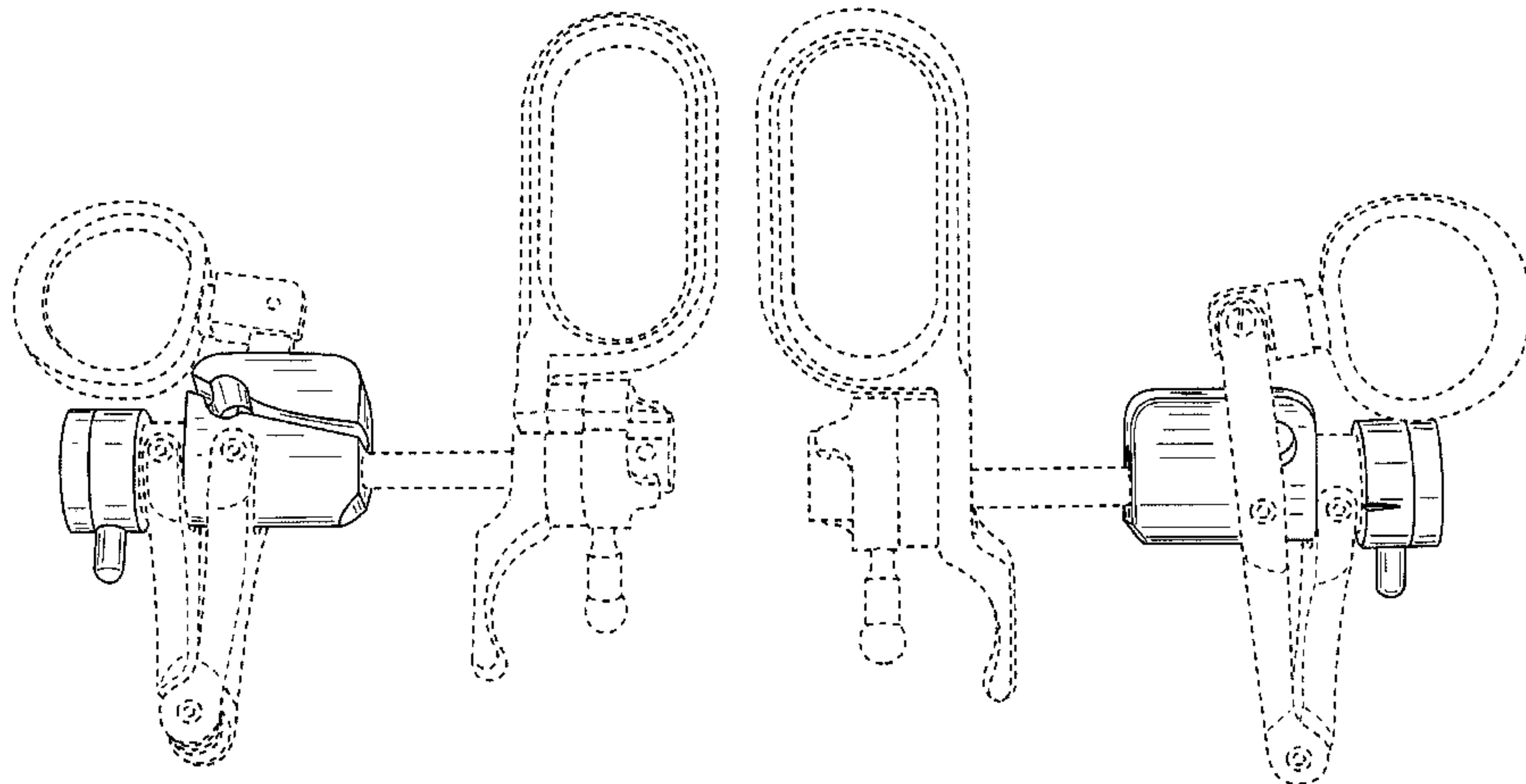
The broken line showing of the remainder of the handgrip is directed to environment and is for illustrative purposes only; the broken lines form no part of the claimed design.

(56) **References Cited**

U.S. PATENT DOCUMENTS

- 4,726,370 A * 2/1988 Karasawa et al. 606/46
- 5,014,708 A * 5/1991 Hayashi et al. 600/436
- 5,024,212 A * 6/1991 Bonnet et al. 600/119
- 5,307,804 A * 5/1994 Bonnet 600/109
- 5,423,795 A * 6/1995 Eckert et al. 606/1
- 5,685,853 A * 11/1997 Bonnet 604/164.01
- 5,807,240 A * 9/1998 Muller et al. 600/135
- 6,113,597 A * 9/2000 Eggers et al. 606/46
- 6,322,494 B1 * 11/2001 Bullivant et al. 600/104
- D458,368 S * 6/2002 Berberich et al. D24/133
- D458,370 S * 6/2002 Berberich et al. D24/133

1 Claim, 7 Drawing Sheets



US D631,159 S

Page 2

U.S. PATENT DOCUMENTS

D536,447 S * 2/2007 Rehbein et al. D24/133
D536,787 S * 2/2007 Rehbein et al. D24/133
7,300,447 B2 * 11/2007 Eliachar et al. 606/170
2002/0007109 A1 * 1/2002 Gminder et al. 600/157
2002/0072651 A1 * 6/2002 Vilos 600/105
2003/0073902 A1 * 4/2003 Hauschild et al. 600/431
2003/0144663 A1 * 7/2003 Berberich et al. 606/46
2005/0267469 A1 * 12/2005 Blocher 606/46

2008/0188711 A1* 8/2008 Eliachar et al. 600/106

FOREIGN PATENT DOCUMENTS

EM 000340971-0002 * 5/2005
EM 000340971-0003 * 5/2005
EM 000340971-0004 * 5/2005
EM 001516550-0014 * 5/2009
WO DM/054993 * 12/2000

* cited by examiner

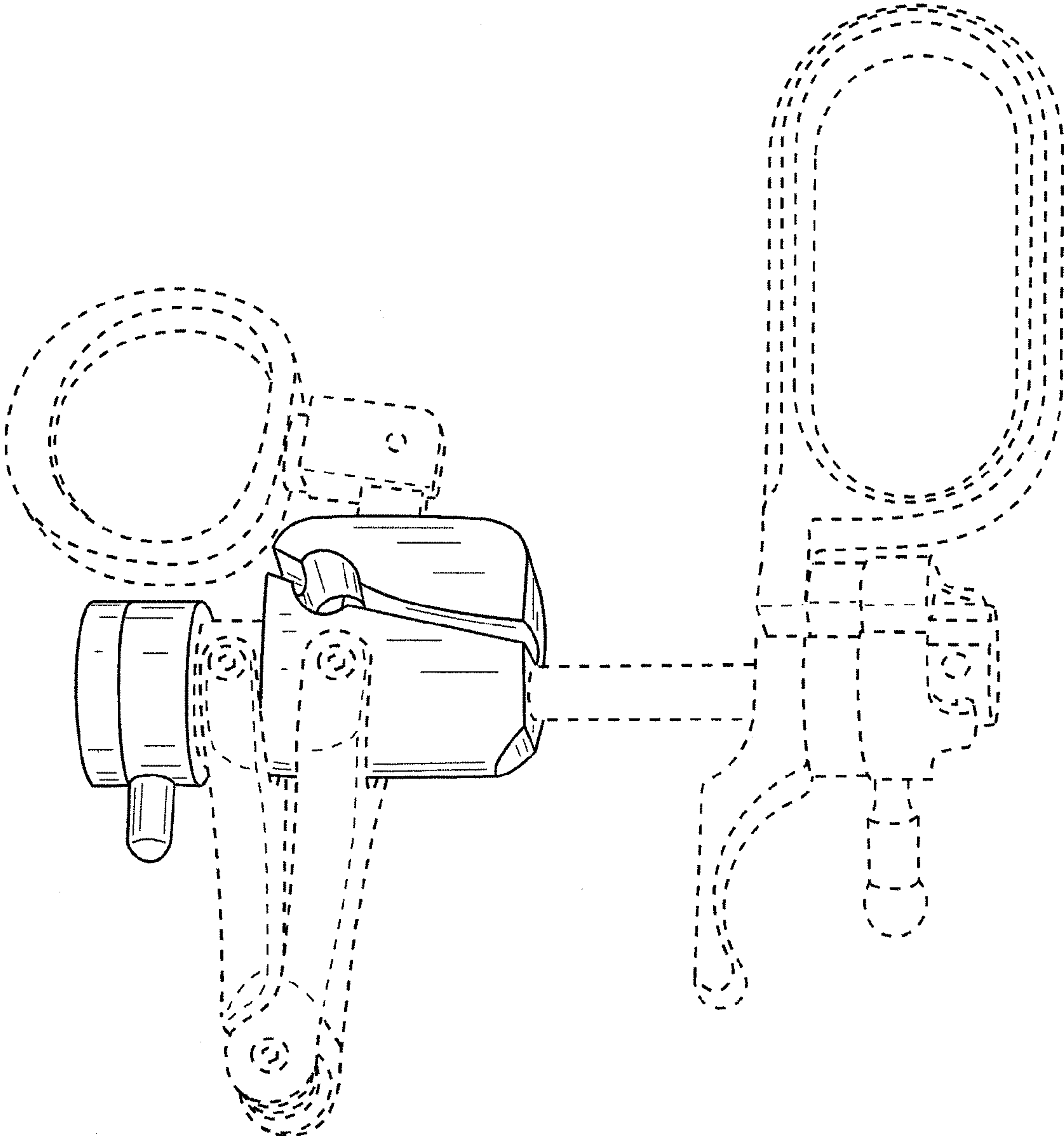


FIG. 1

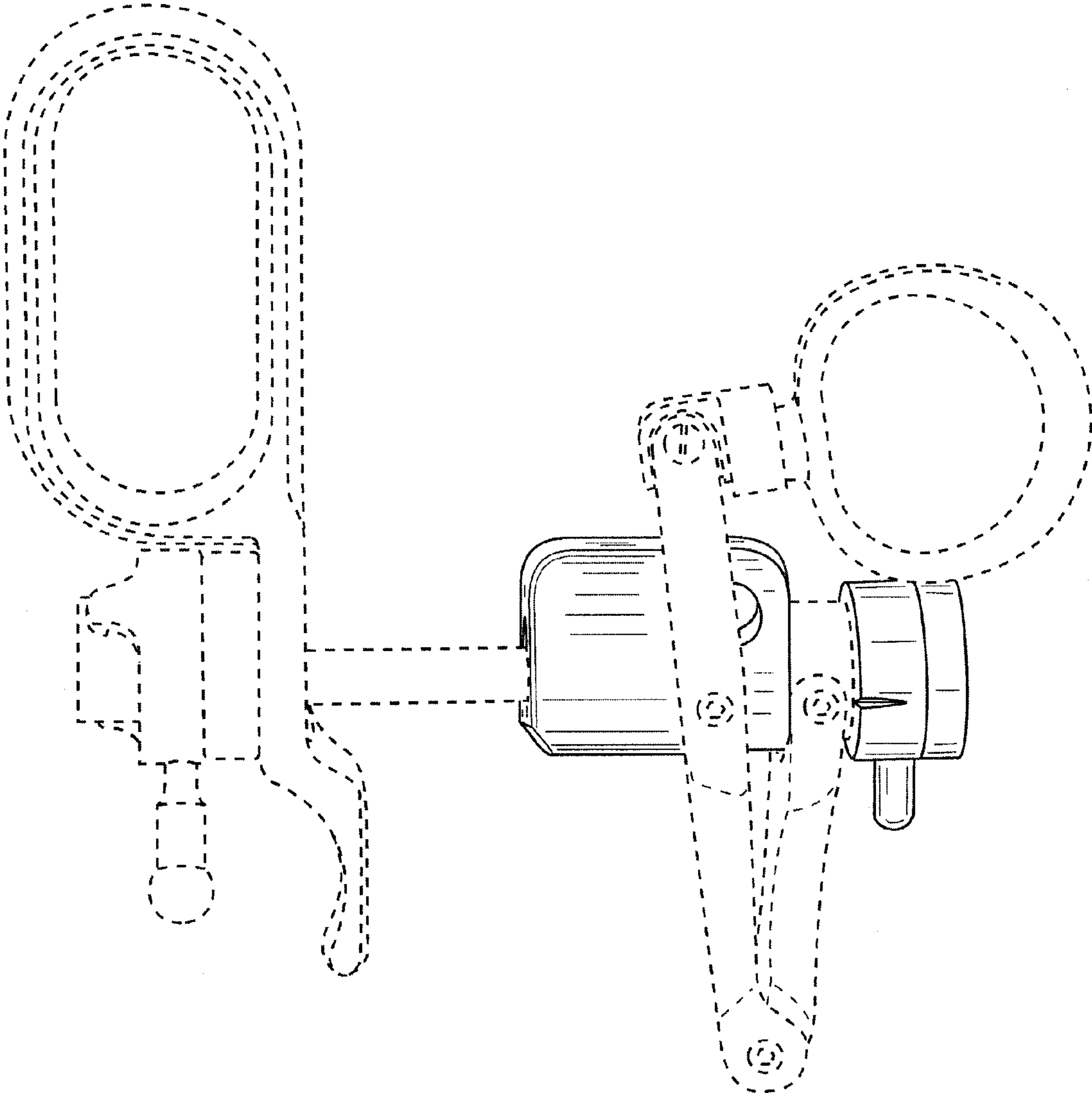


FIG. 2

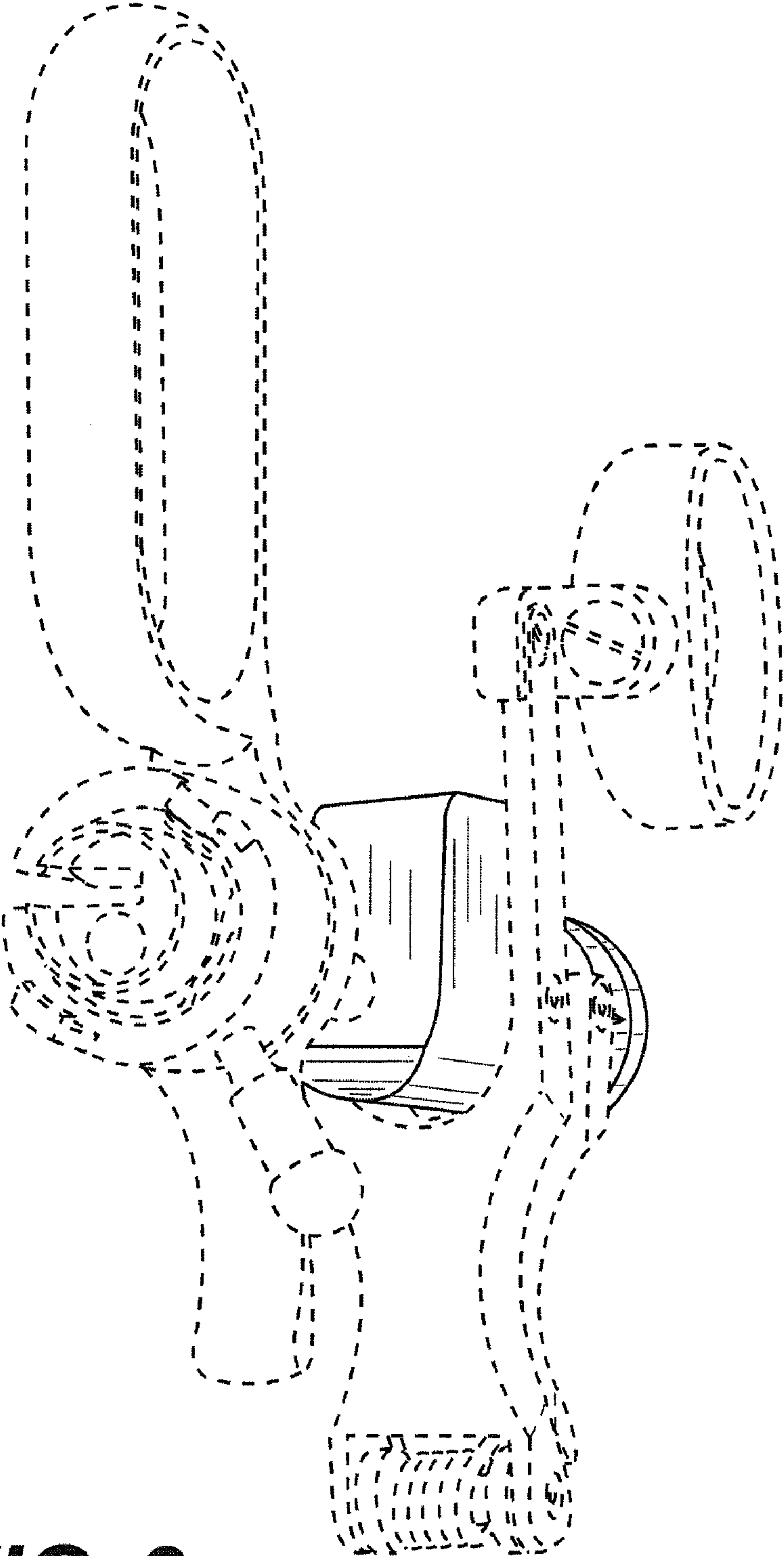


FIG. 3

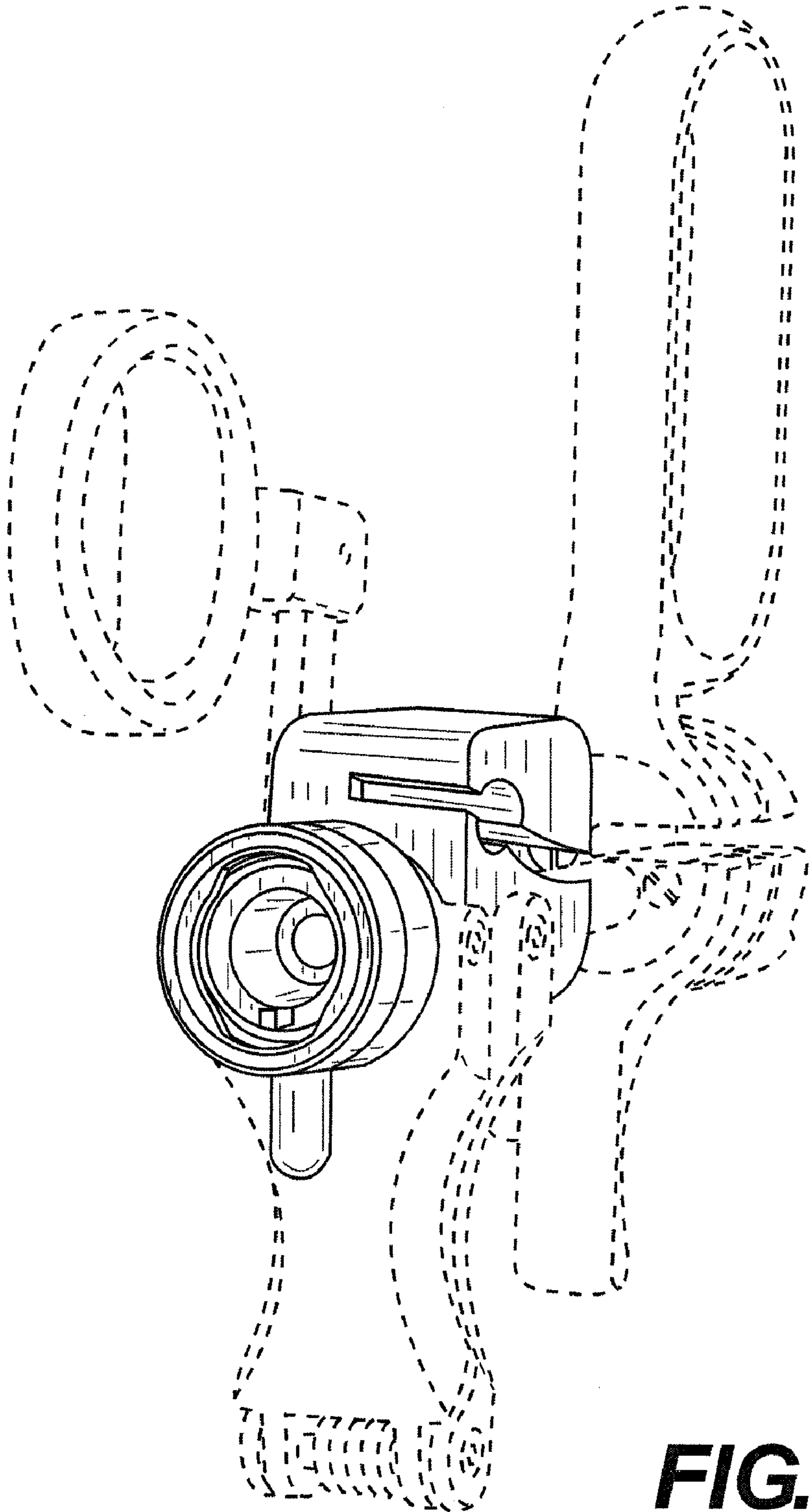


FIG. 4

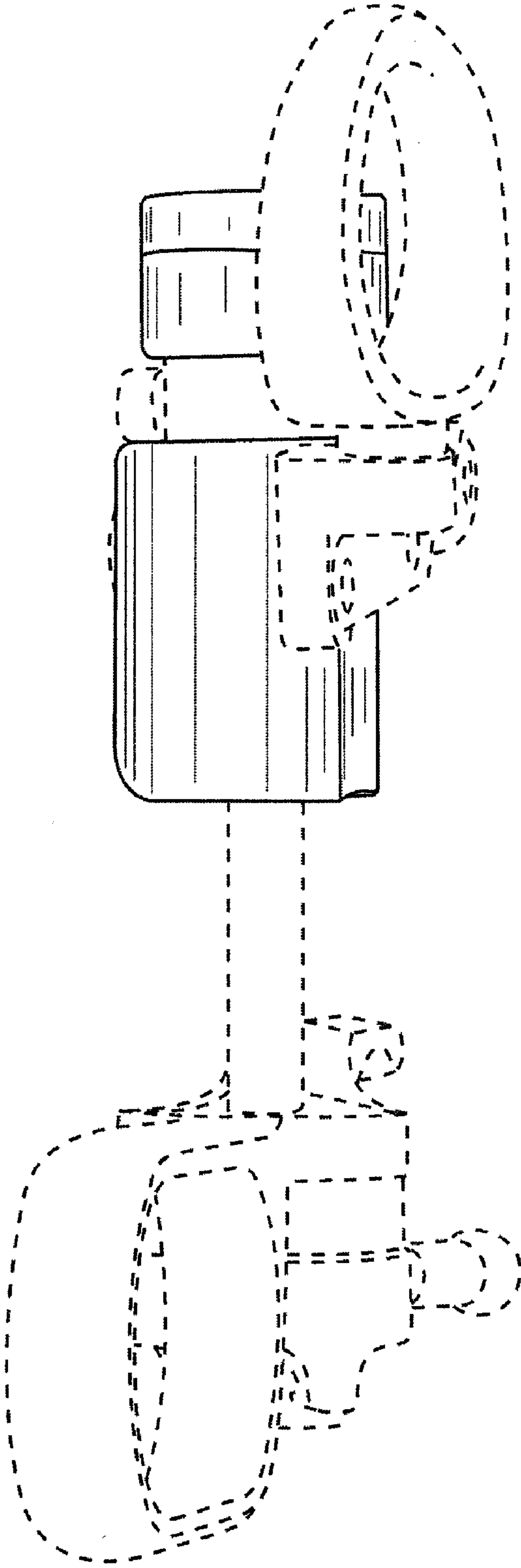


FIG. 5

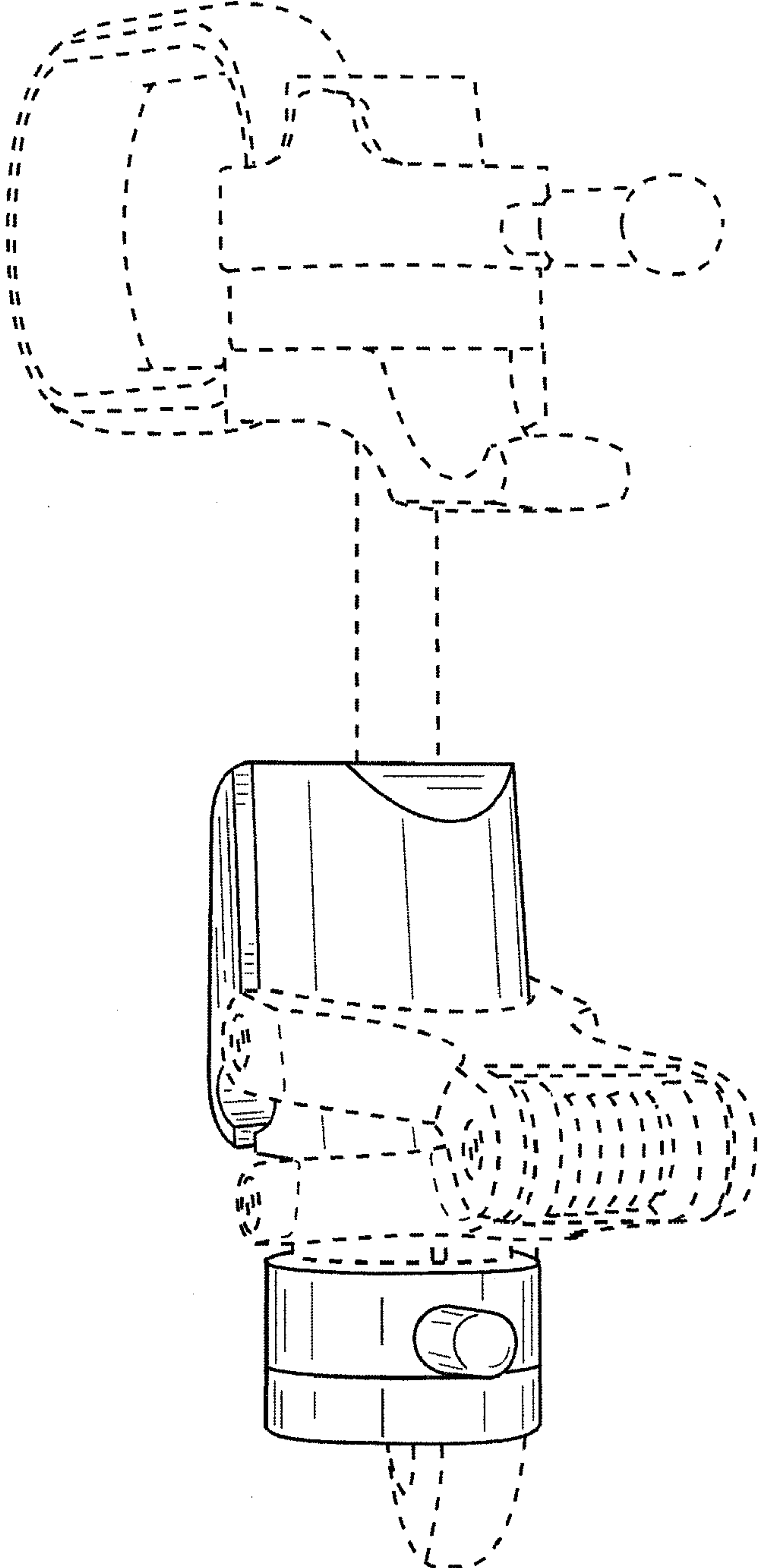


FIG. 6

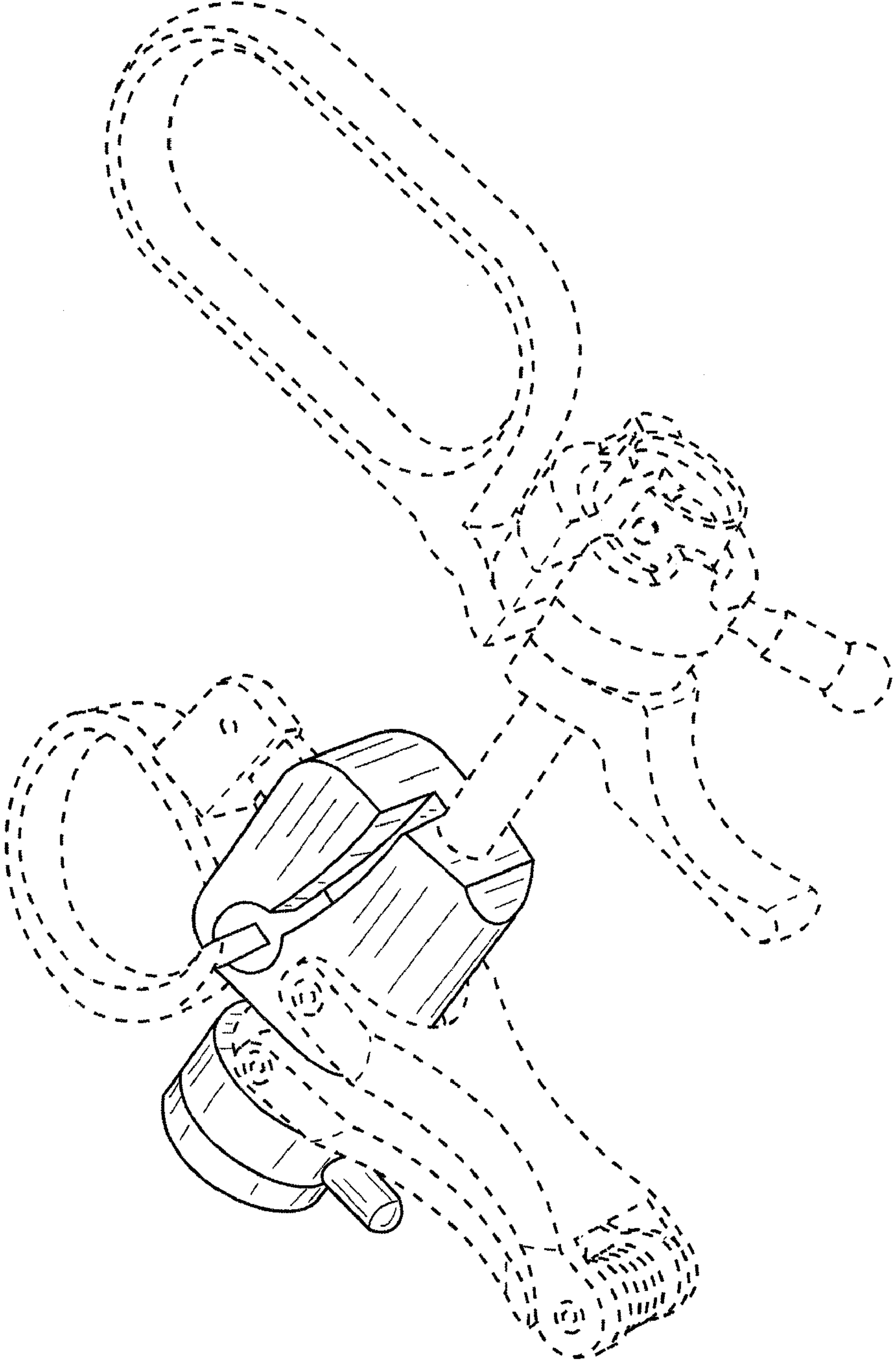


FIG. 7