



US00D631158S

(12) **United States Design Patent**  
**Doerges**

(10) **Patent No.:** **US D631,158 S**  
(45) **Date of Patent:** **\*\* Jan. 18, 2011**

(54) **LARYNGOSCOPE HOLDER**

(75) Inventor: **Volker Doerges**, Gross-Groenau (DE)

(73) Assignee: **Karl Storz GmbH & Co. KG**,  
Tuttlingen (DE)

(\*\*) Term: **14 Years**

(21) Appl. No.: **29/358,523**

(22) Filed: **Mar. 29, 2010**

(30) **Foreign Application Priority Data**

Sep. 29, 2009 (EM) ..... 001617259-0001  
Sep. 29, 2009 (EM) ..... 001617259-0002

(51) **LOC (9) Cl.** ..... **24-02**

(52) **U.S. Cl.** ..... **D24/137**

(58) **Field of Classification Search** ..... D24/137,  
D24/138, 133, 135, 136; 600/185-199, 184,  
600/200; 606/196, 191-195, 197-200  
See application file for complete search history.

(56) **References Cited**

**U.S. PATENT DOCUMENTS**

2,951,482	A *	9/1960	Sullivan	.....	606/176
3,986,854	A *	10/1976	Scrivo et al.	.....	65/410
D271,135	S *	10/1983	Greenblatt	.....	D24/138
6,875,169	B2 *	4/2005	Berci et al.	.....	600/112
D541,937	S *	5/2007	Yee	.....	D24/137
D550,841	S *	9/2007	Berci et al.	.....	D24/137
D592,306	S *	5/2009	Bigelow et al.	.....	D24/137
D608,889	S *	1/2010	Tenger et al.	.....	D24/137
D611,598	S *	3/2010	Tenger et al.	.....	D24/133
2004/0215062	A1 *	10/2004	Dalle et al.	.....	600/193
2005/0192481	A1 *	9/2005	Berci et al.	.....	600/188
2007/0197873	A1 *	8/2007	Birnkrant	.....	600/160
2010/0121152	A1 *	5/2010	Boedeker	.....	600/187

\* cited by examiner

Primary Examiner—Bridget L Eland

(74) *Attorney, Agent, or Firm*—Muncy, Geissler, Olds & Lowe, PLLC

(57) **CLAIM**

The ornamental design for a laryngoscope holder, as shown and described.

**DESCRIPTION**

FIG. 1 is a left side perspective view of a laryngoscope holder of the present invention.

FIG. 2 is a right side perspective view of the laryngoscope holder of FIG. 1.

FIG. 3 is a top left perspective view of the laryngoscope holder of FIG. 1.

FIG. 4 is a top right perspective view of the laryngoscope holder of FIG. 1.

FIG. 5 is a bottom left perspective view of the laryngoscope holder of FIG. 1.

FIG. 6 is a bottom right perspective view of the laryngoscope holder of FIG. 1.

FIG. 7 is a front left perspective view of the laryngoscope holder of FIG. 1.

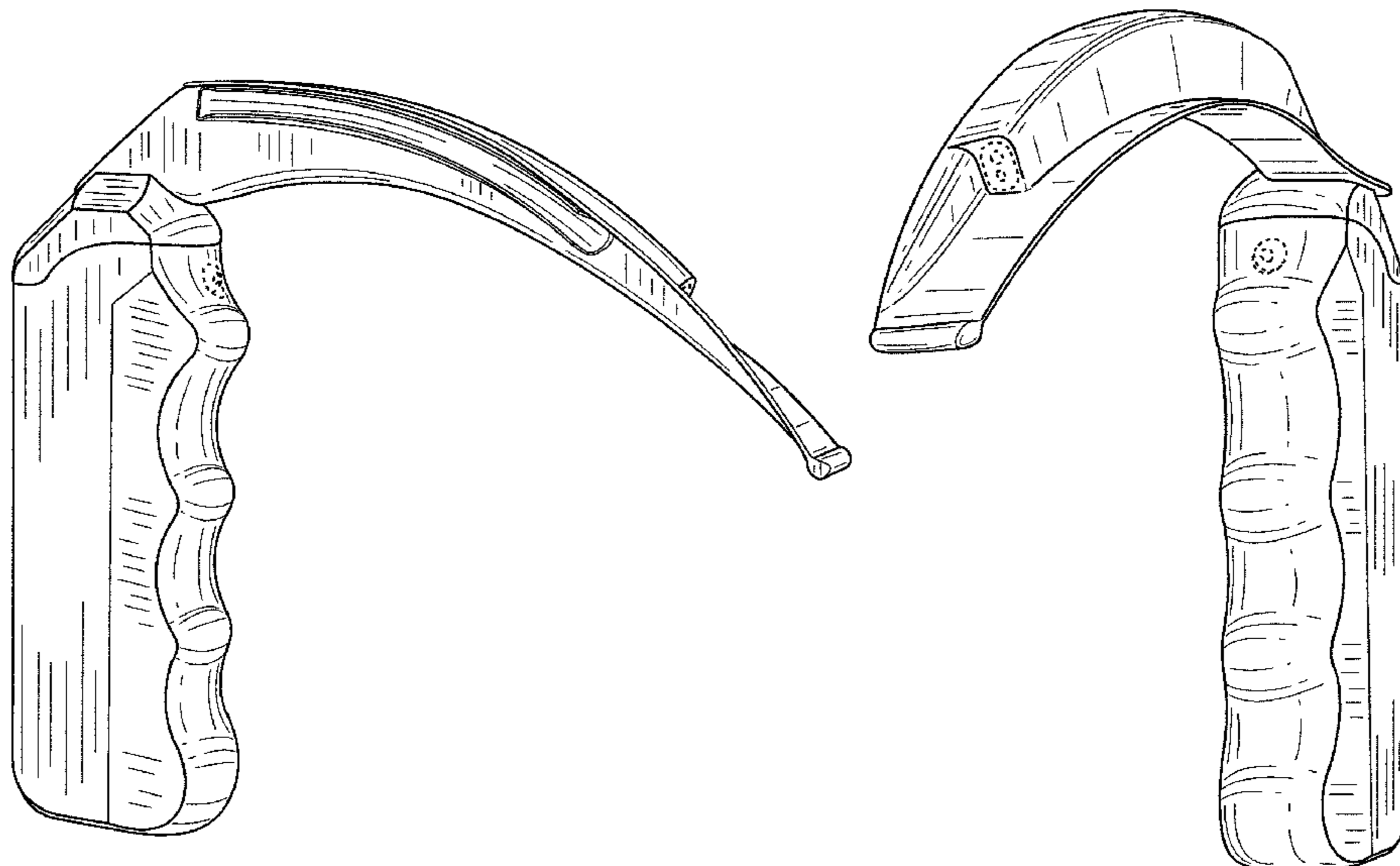
FIG. 8 is a front right perspective view of the laryngoscope holder of FIG. 1.

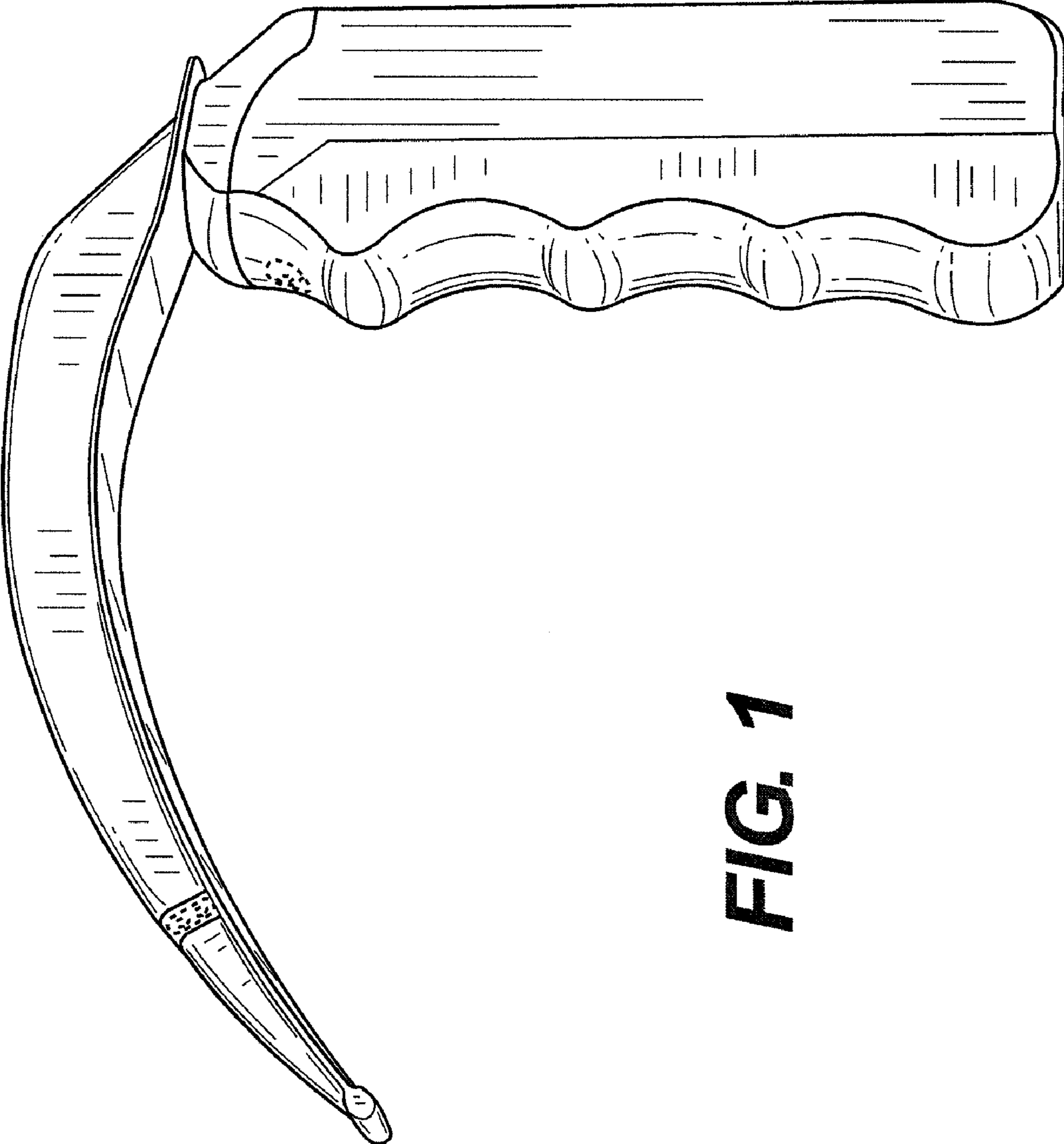
FIG. 9 is a rear left perspective view of the laryngoscope holder of FIG. 1; and,

FIG. 10 is a rear right perspective view of the laryngoscope holder of FIG. 1.

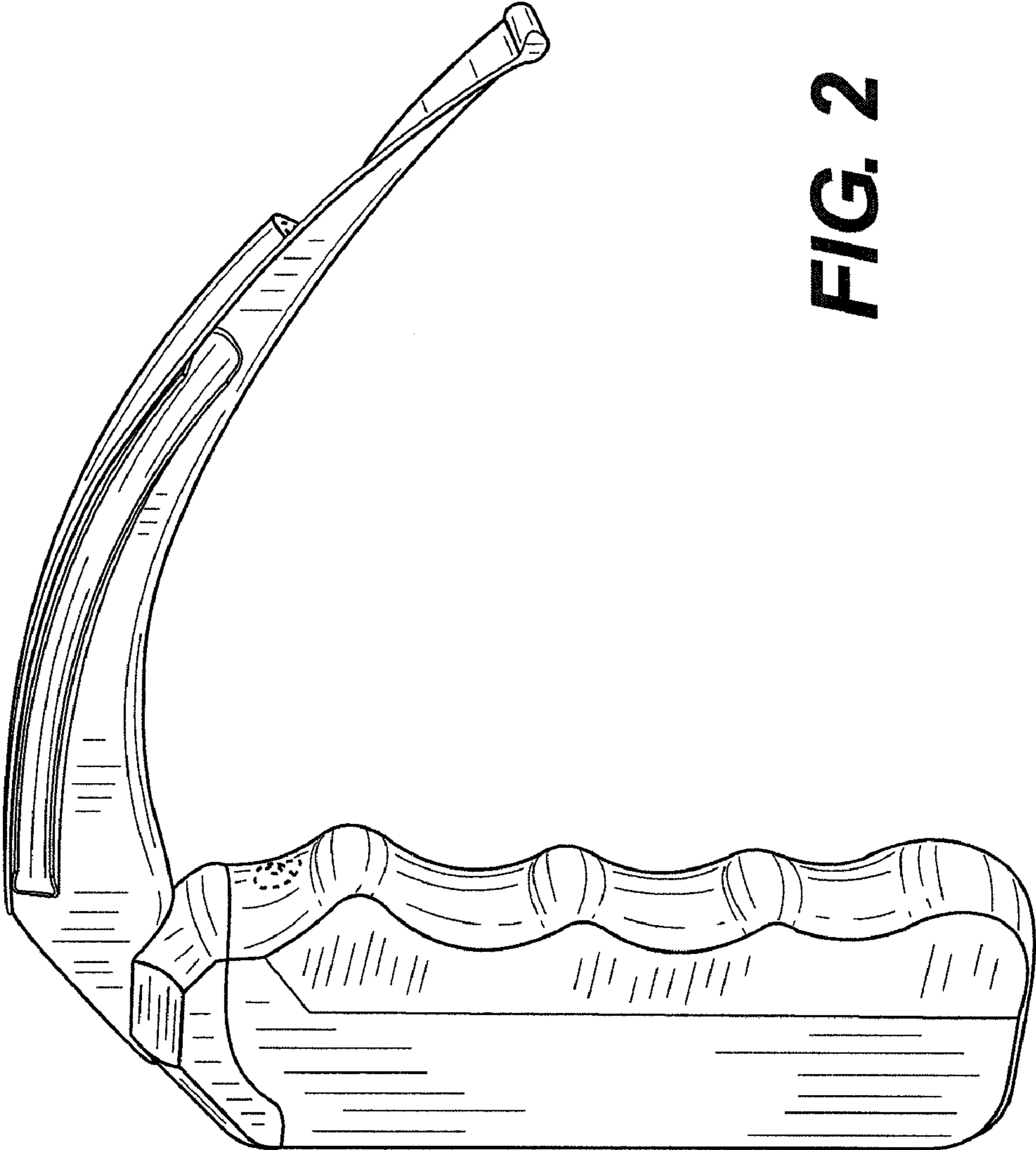
The broken lines immediately adjacent the claimed areas represent the bounds of the claimed design while all other broken lines are directed to environment and are for illustrative purposes only; the broken lines form no part of the claimed design.

**1 Claim, 10 Drawing Sheets**

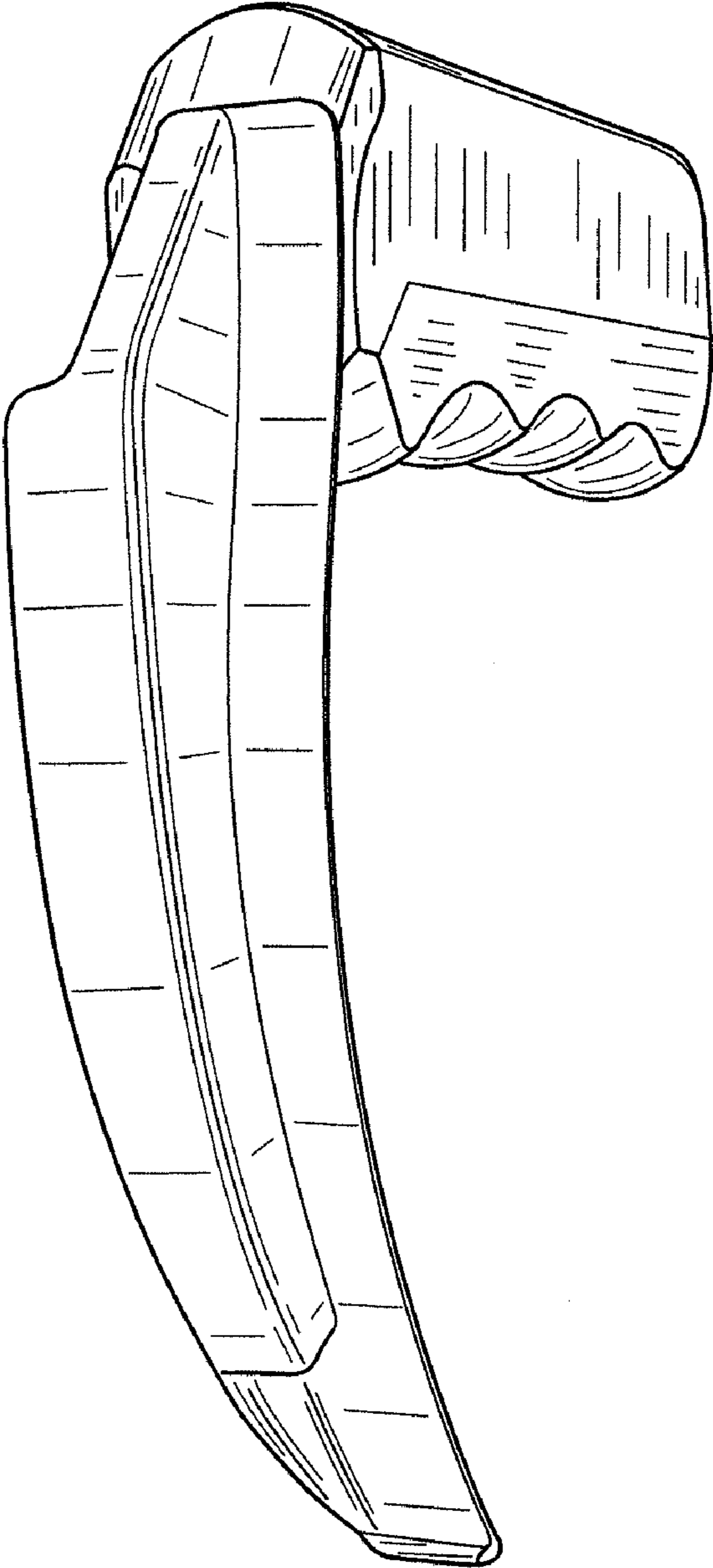




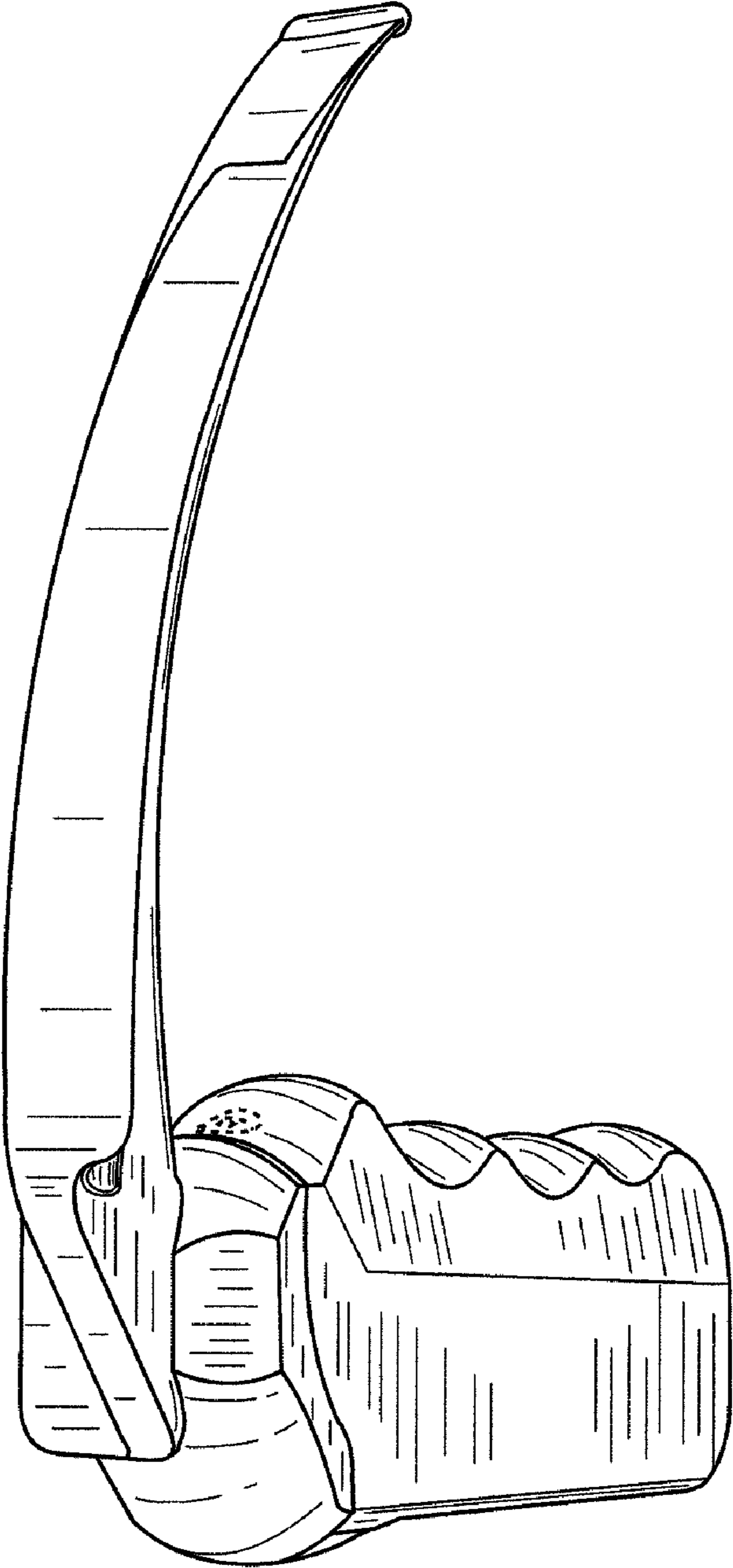
**FIG. 1**



**FIG. 2**

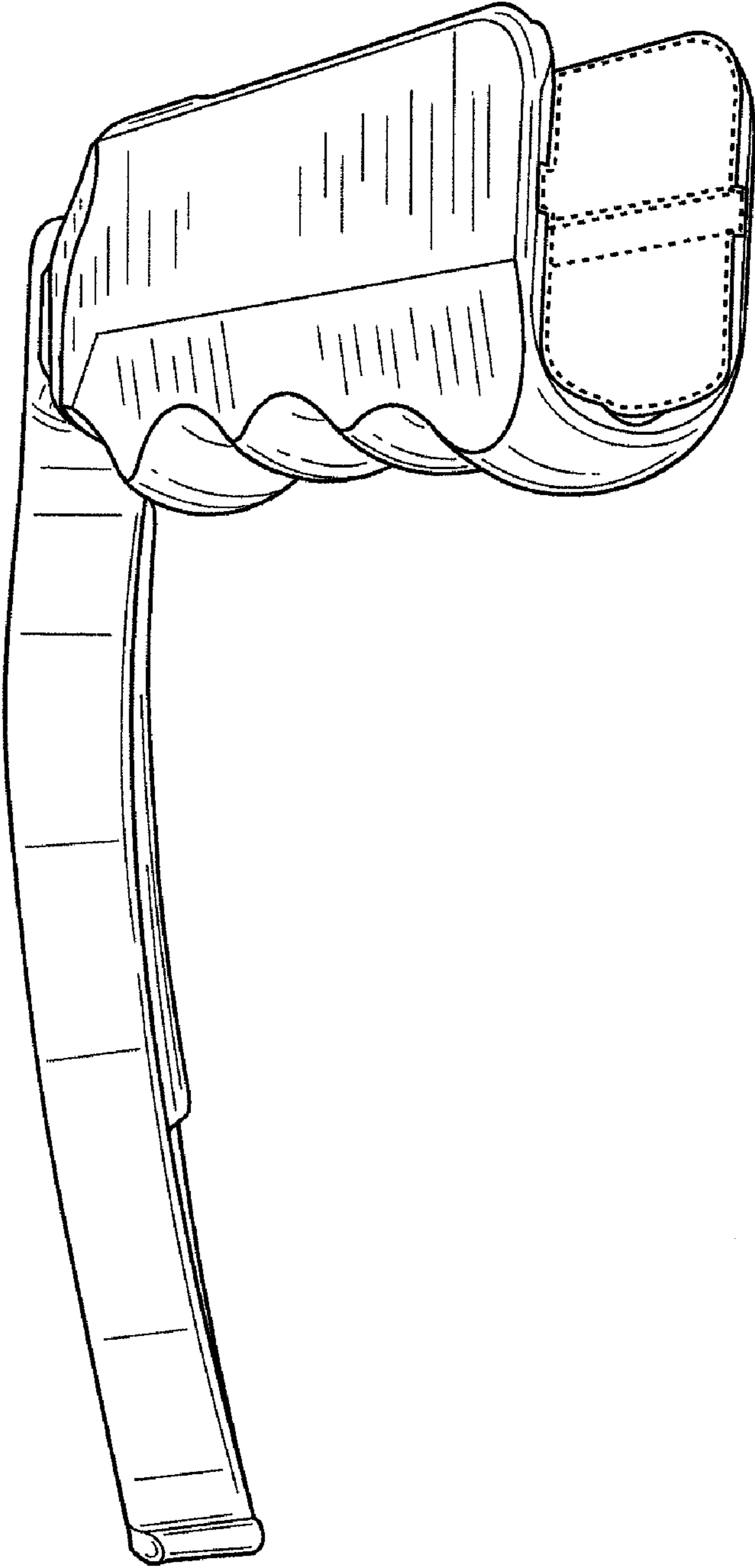


**FIG. 3**

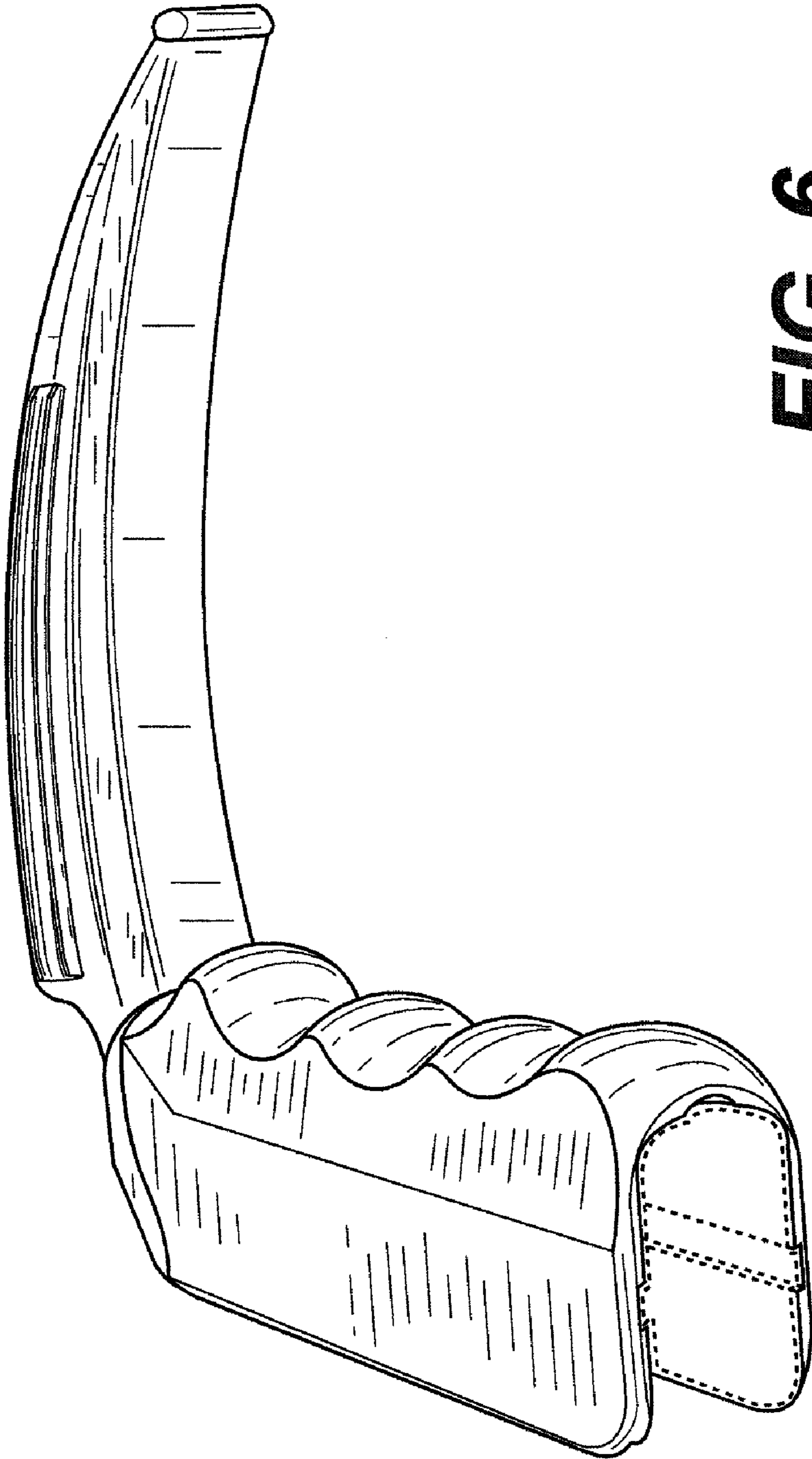


**FIG. 4**

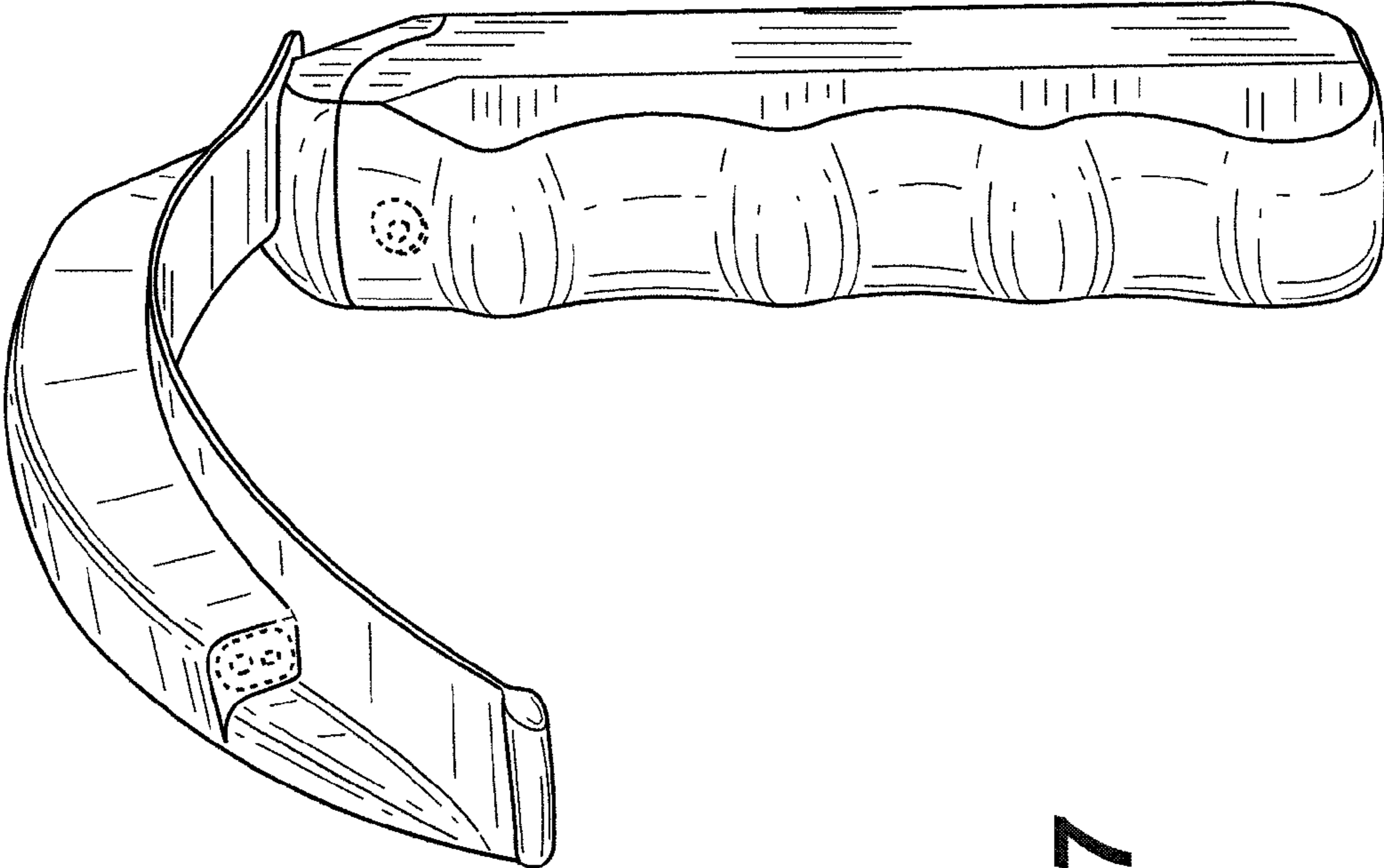




**FIG. 5**

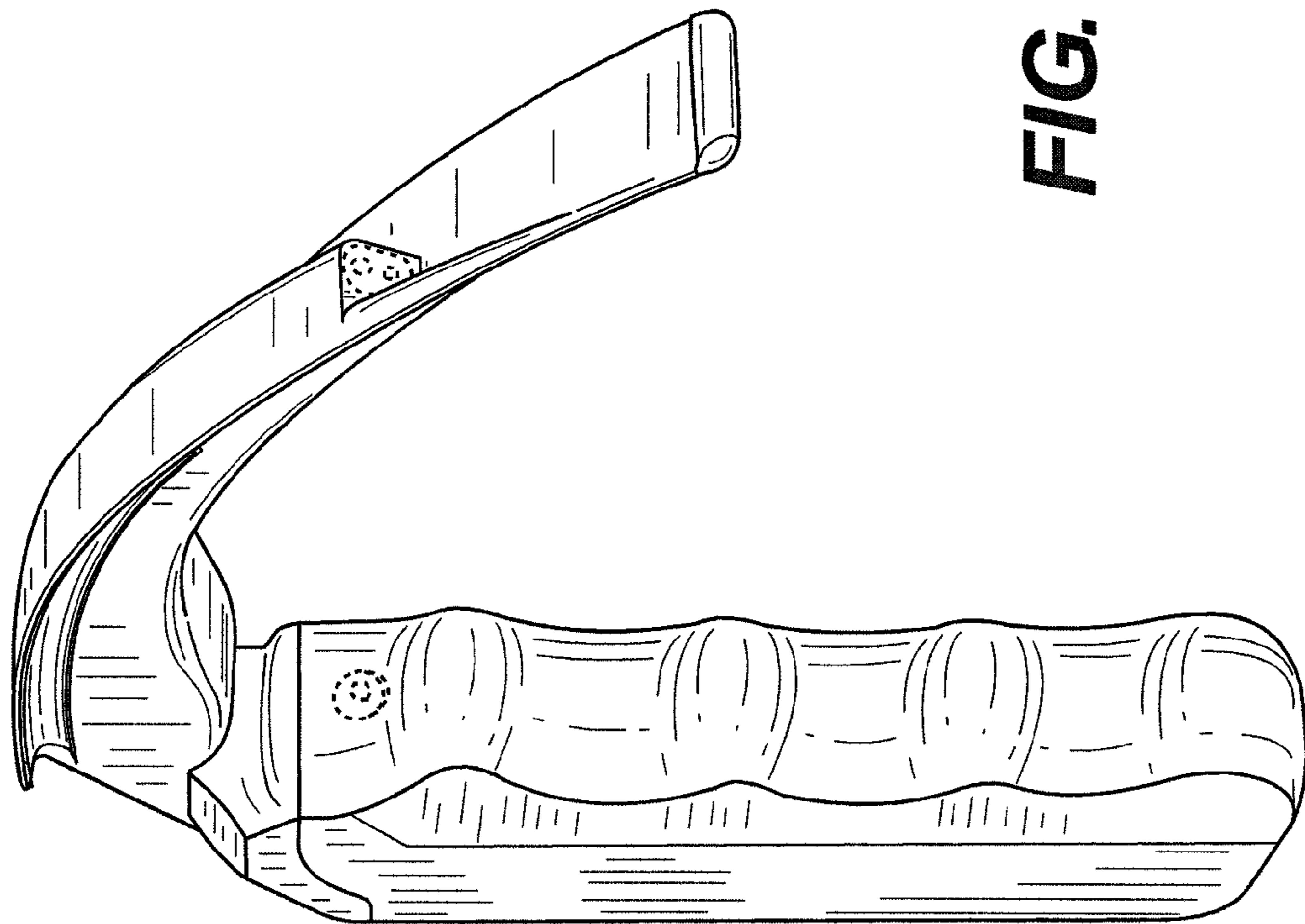


**FIG. 6**

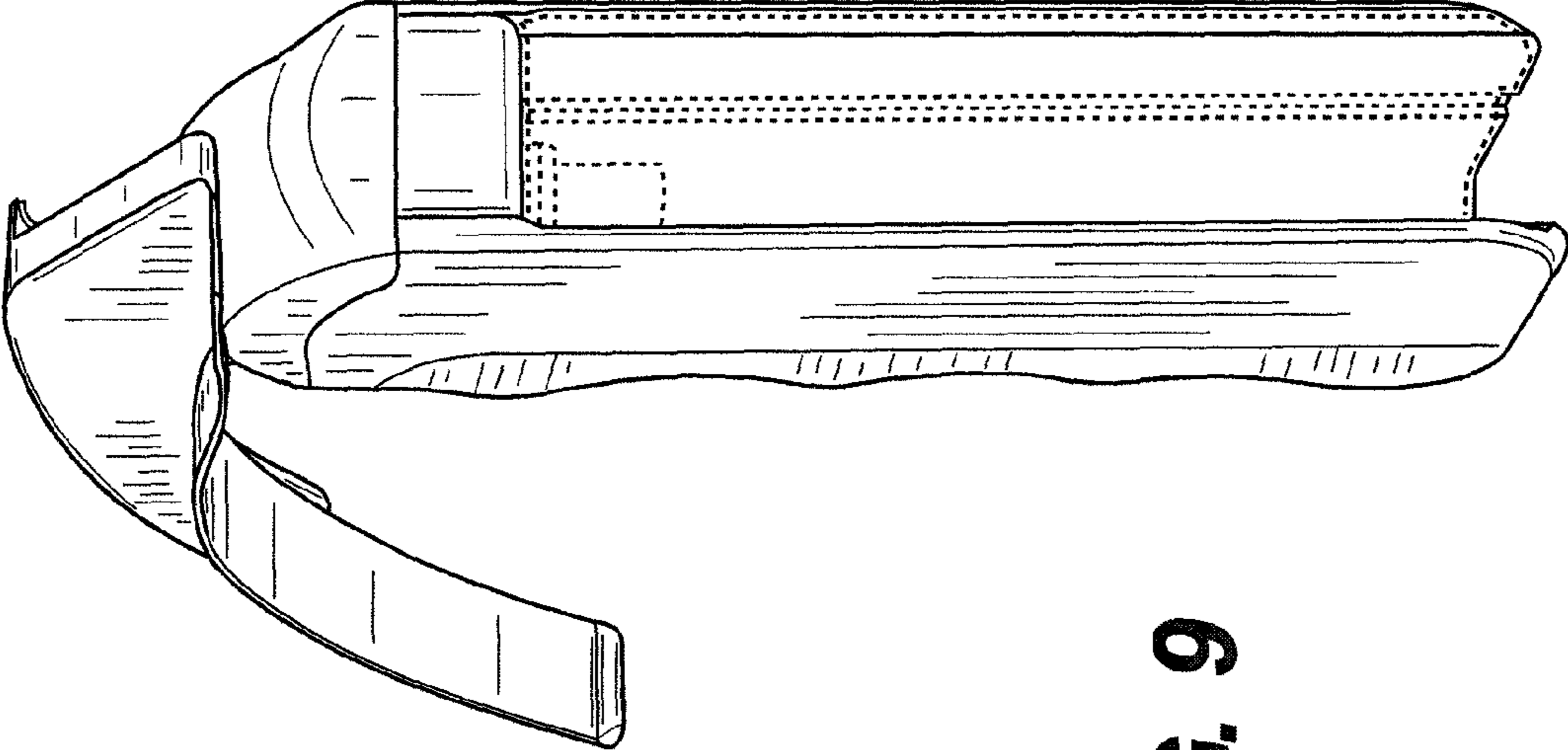


**FIG. 7**

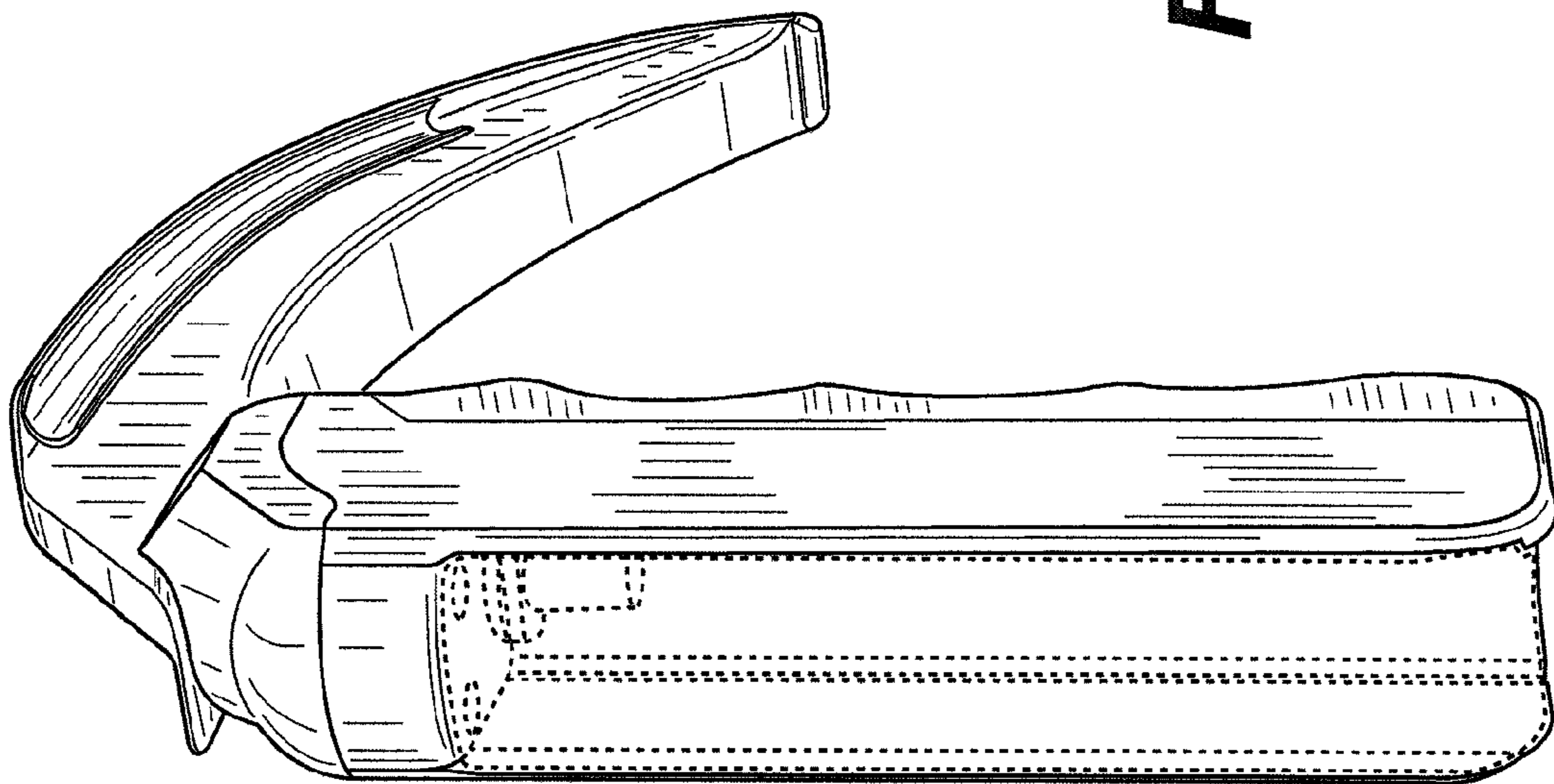




**FIG. 8**



**FIG. 9**



**FIG. 10**