



US00D631157S

(12) **United States Design Patent**
Terry et al.

(10) **Patent No.:** **US D631,157 S**
(45) **Date of Patent:** **** Jan. 18, 2011**

(54) **SPECULUM WITH STOP BLOCKS**

(75) Inventors: **Frederick M. Terry**, Plymouth, MA (US); **Dana Cote**, Boxford, MA (US)

(73) Assignee: **Beaver-Vistec International (US), Inc.**, Lake Forest, IL (US)

(**) Term: **14 Years**

(21) Appl. No.: **29/355,702**

(22) Filed: **Feb. 12, 2010**

(51) **LOC (9) Cl.** **24-02**

(52) **U.S. Cl.** **D24/135**

(58) **Field of Classification Search** D24/133, D24/135, 143; 600/201, 202, 184, 220–223, 600/224, 225–227, 203, 210–218; 606/191–200, 606/201–202

See application file for complete search history.

(56) **References Cited**

U.S. PATENT DOCUMENTS

D44,388	S	*	7/1913	Weder	D24/135
3,038,467	A	*	6/1962	Sovatkin	600/219
3,789,835	A	*	2/1974	Whitman	600/223
D314,826	S	*	2/1991	Torre	D24/135
D448,080	S	*	9/2001	Moscarelli et al.	D24/135
6,964,675	B2	*	11/2005	Zhu et al.	606/213

7,288,065	B1	*	10/2007	Taylor et al.	600/232
D612,494	S	*	3/2010	Ott et al.	D24/135
D612,495	S	*	3/2010	Ott et al.	D24/135
D617,456	S	*	6/2010	Ott et al.	D24/135
2003/0191370	A1	*	10/2003	Phillips	600/201
2004/0225196	A1	*	11/2004	Ruane	600/220
2010/0022845	A1	*	1/2010	Ott et al.	600/215

* cited by examiner

Primary Examiner—Bridget L Eland

(74) *Attorney, Agent, or Firm*—Hoffman & Baron, LLP

(57) **CLAIM**

The ornamental design for a speculum with stop blocks, as shown and described.

DESCRIPTION

FIG. 1 is a top perspective view of a speculum with stop blocks;

FIG. 2 is a top plan view thereof;

FIG. 3 is a front elevational view thereof;

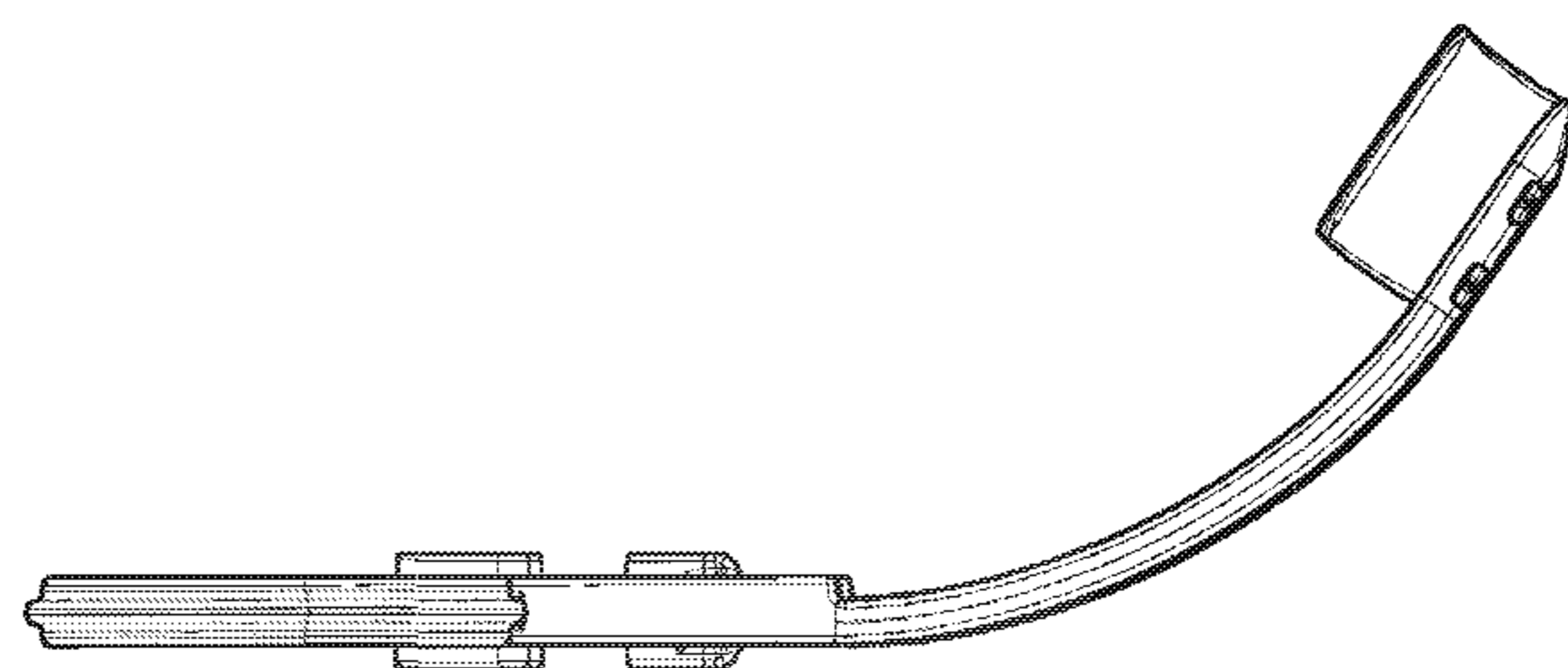
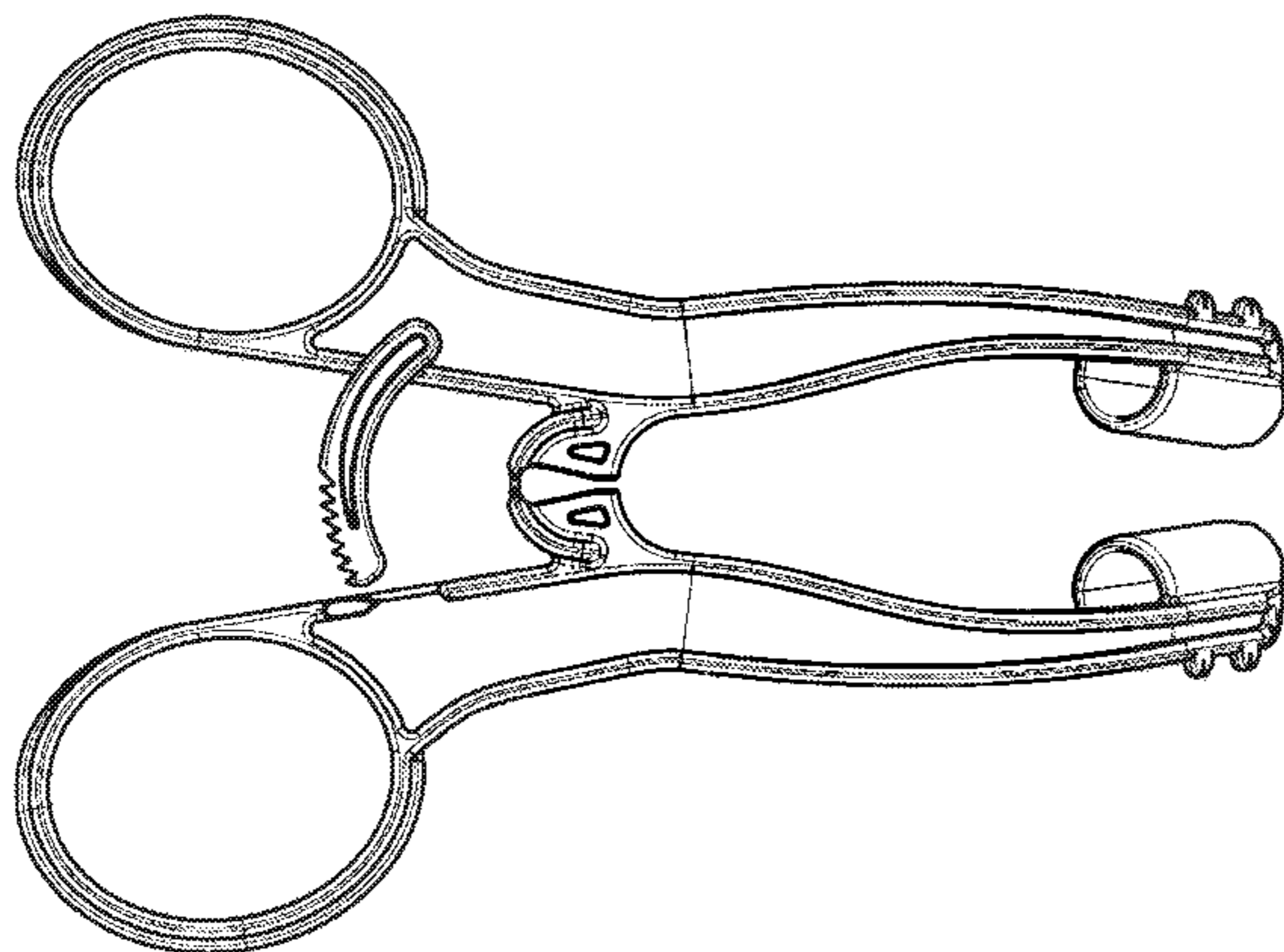
FIG. 4 is a right side elevational view thereof;

FIG. 5 is a left side elevational view thereof;

FIG. 6 is a bottom plan view thereof; and,

FIG. 7 is a rear elevational view thereof.

1 Claim, 6 Drawing Sheets



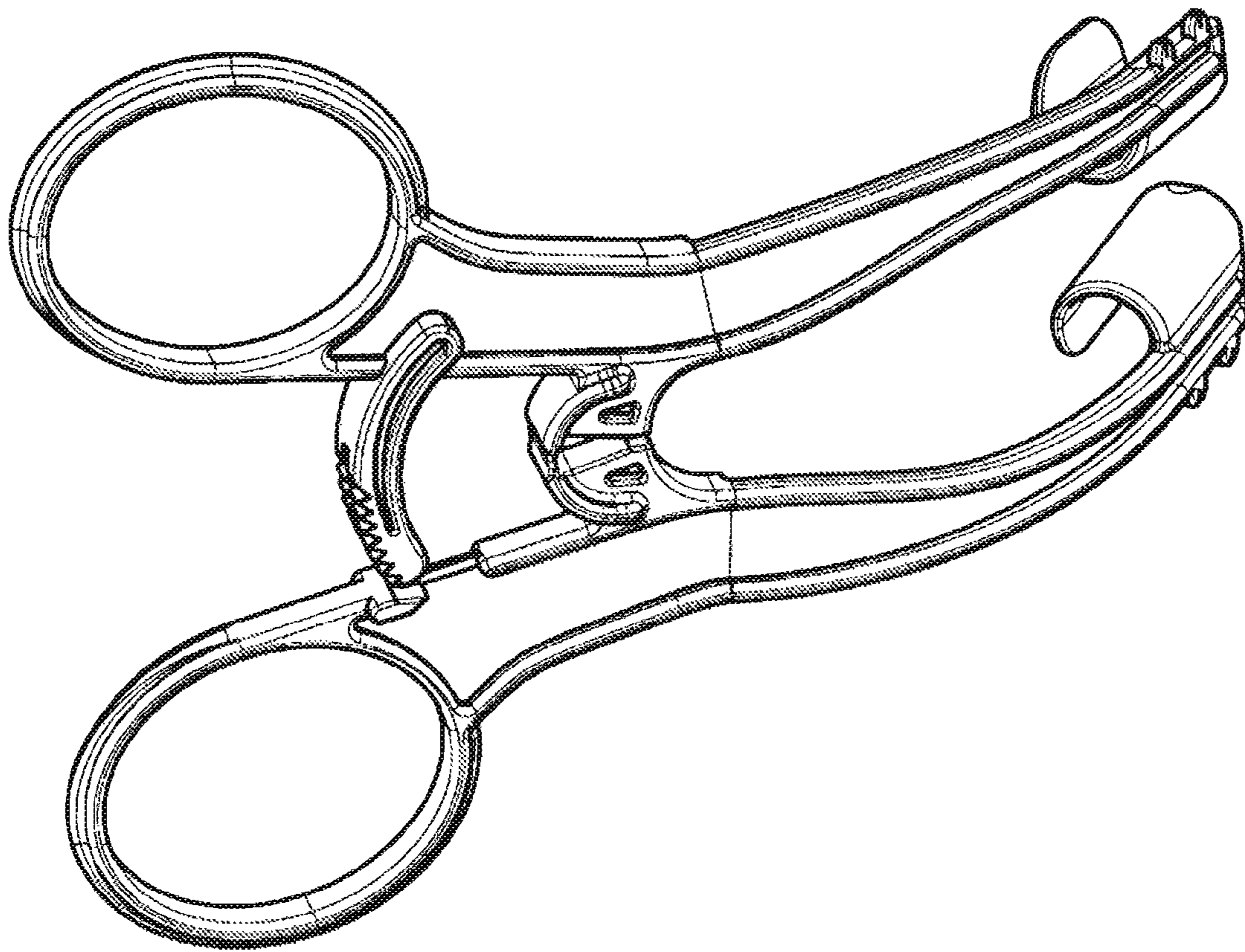


FIG. 1

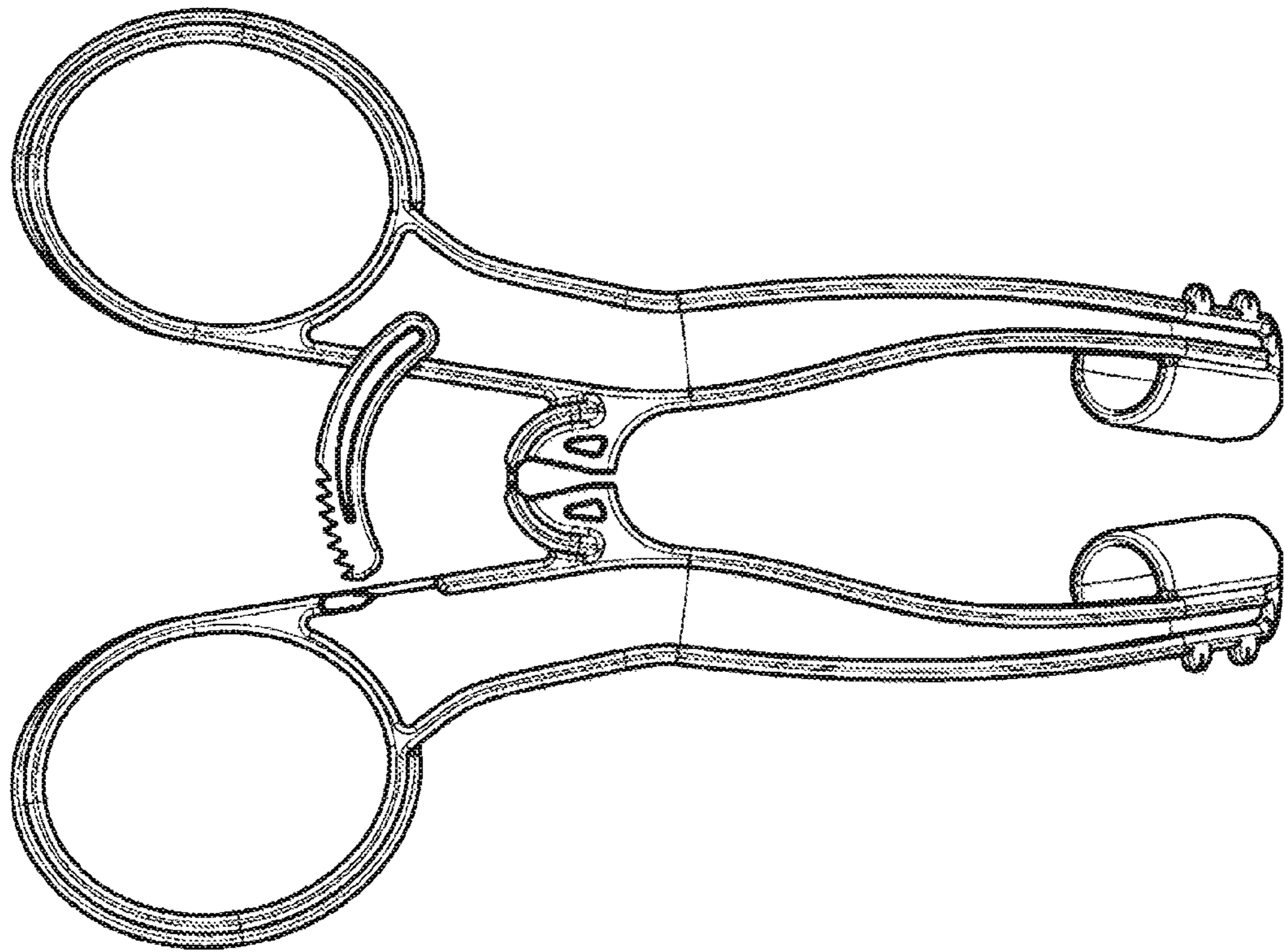


FIG. 2

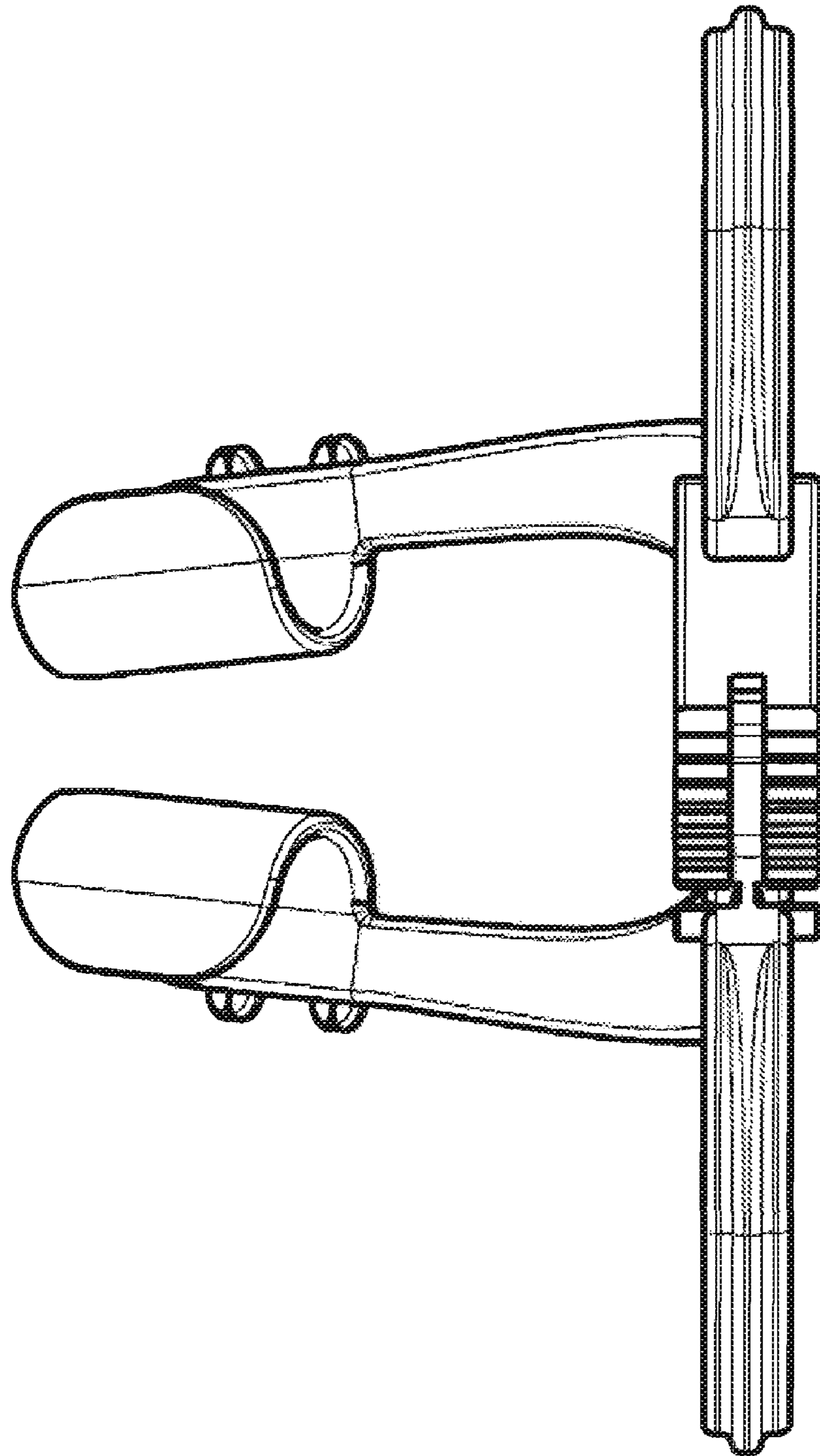


FIG. 3

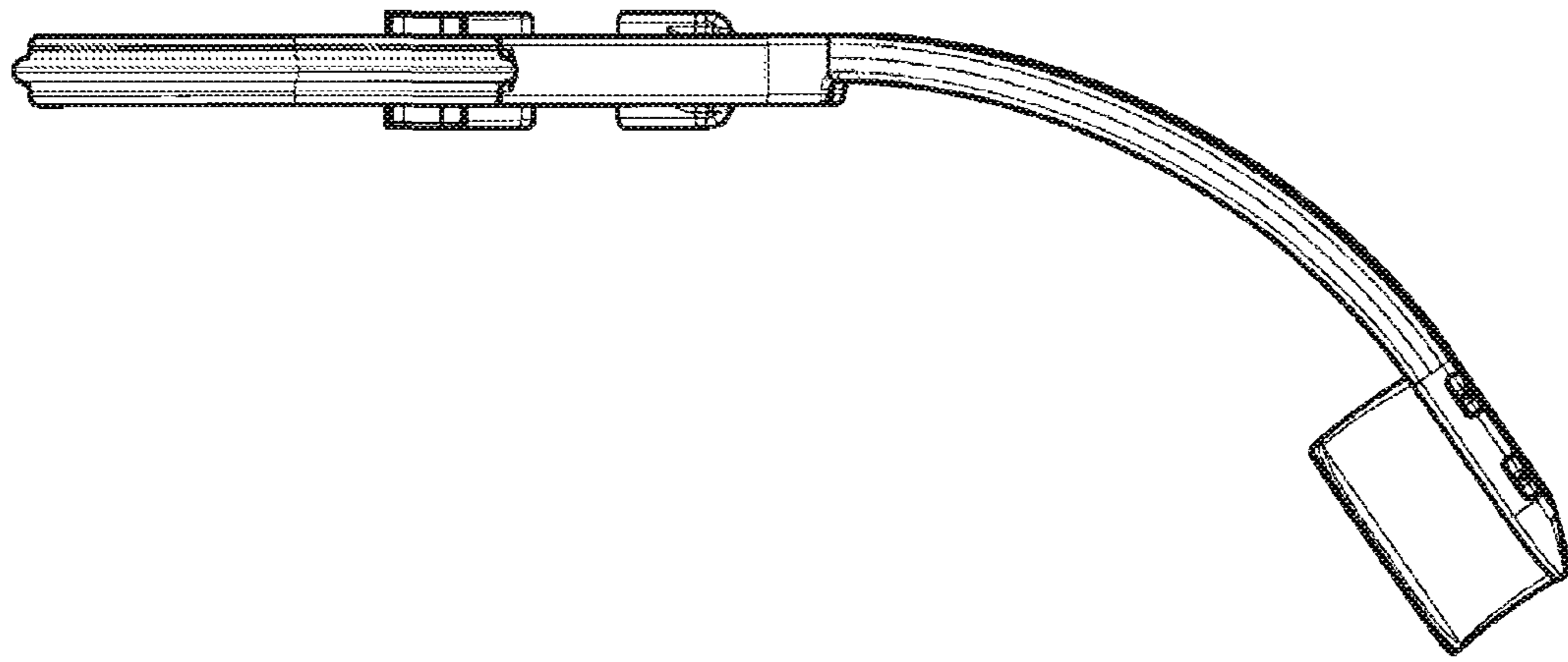


FIG. 4

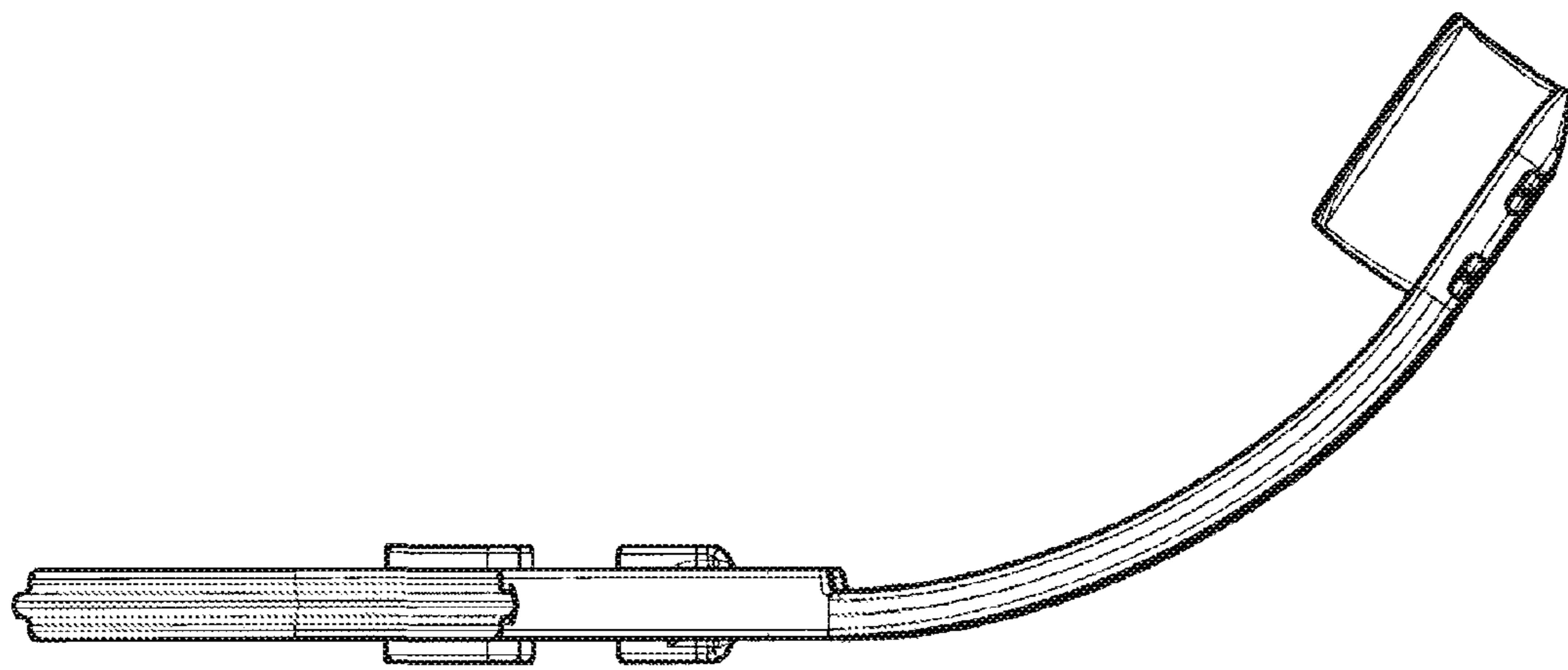


FIG. 5

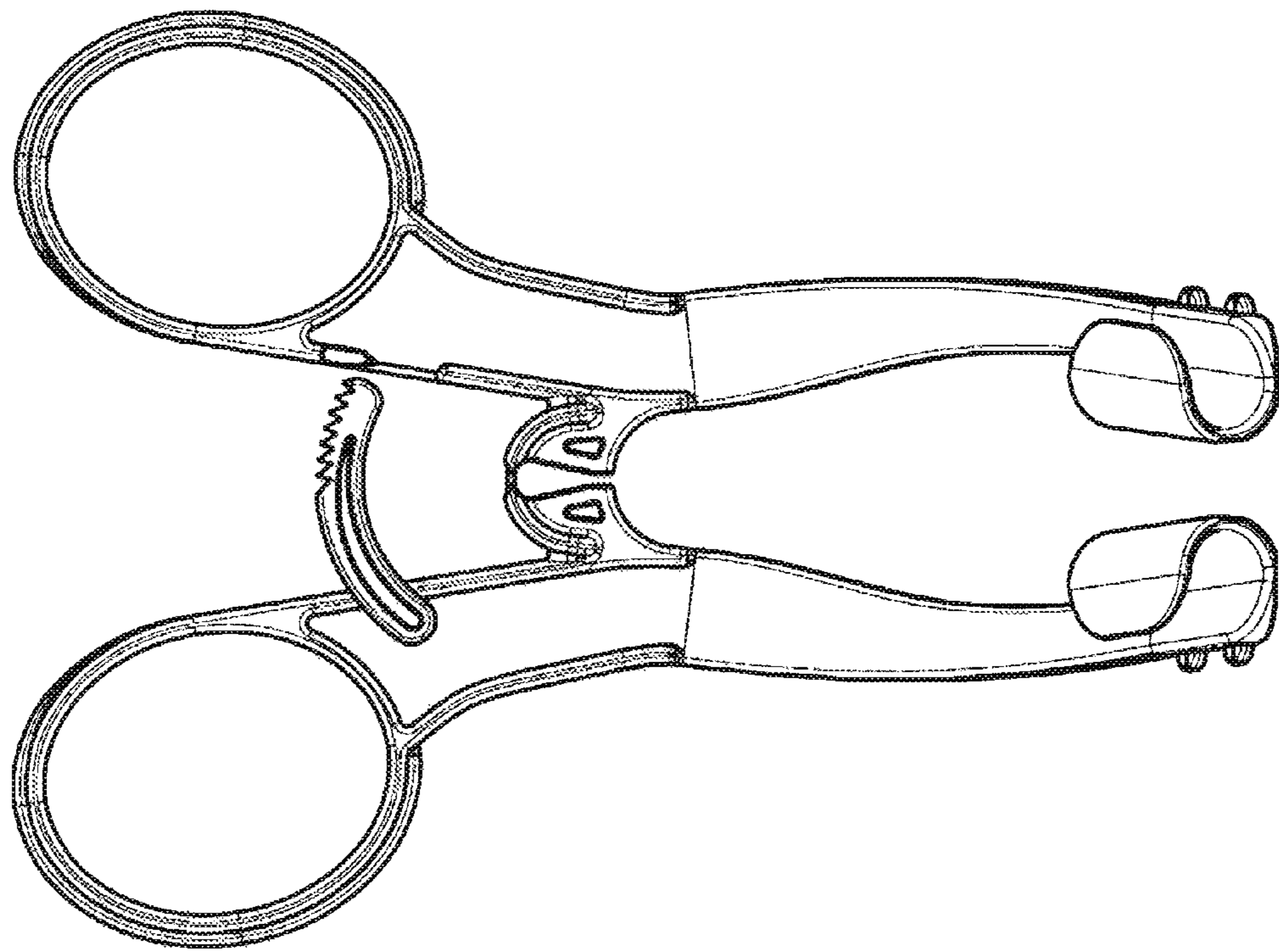


FIG. 6

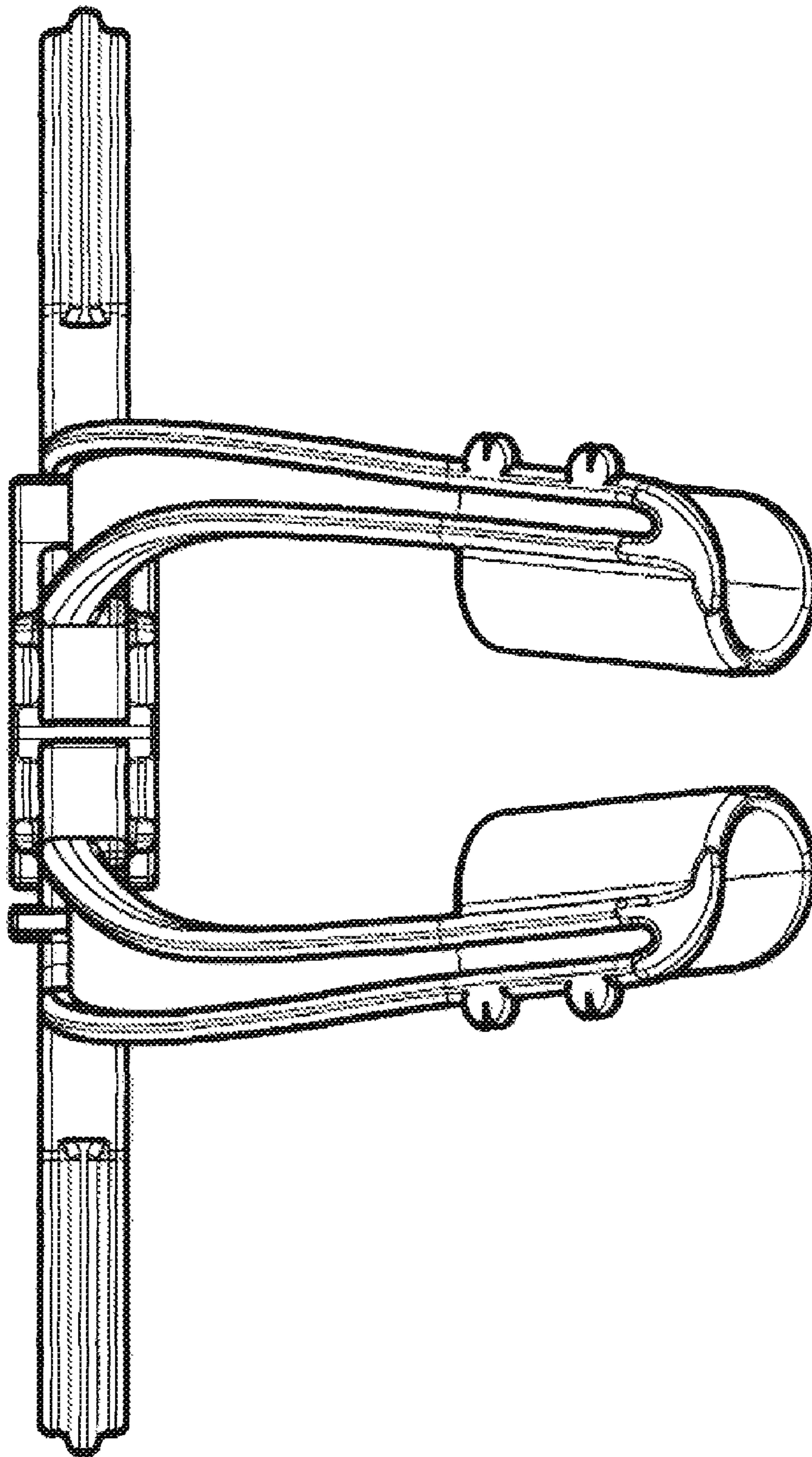


FIG. 7