



US00D631156S

(12) **United States Design Patent**  
**Halder et al.**

(10) **Patent No.:** **US D631,156 S**  
(45) **Date of Patent:** **\*\* Jan. 18, 2011**

(54) **HOLDER FOR MEDICAL DEVICE**

(75) Inventors: **Raimund Halder**, Engen (DE); **Jochen Stefan**, Wald (DE)

(73) Assignee: **Karl Storz GmbH & Co. KG**, Tuttingen (DE)

(\*\*) Term: **14 Years**

(21) Appl. No.: **29/357,961**

(22) Filed: **Mar. 19, 2010**

(30) **Foreign Application Priority Data**

Sep. 29, 2009 (EM) ..... 001617259-0012

(51) **LOC (9) Cl.** ..... **24-02**

(52) **U.S. Cl.** ..... **D24/133**

(58) **Field of Classification Search** ..... D24/133,  
D24/143, 146, 147; 606/205, 206; 600/101-183  
See application file for complete search history.

(56) **References Cited**

U.S. PATENT DOCUMENTS

D460,553 S *	7/2002	Koros et al. ....	D24/147
6,419,688 B1 *	7/2002	Bacher et al. ....	606/205
6,589,259 B1 *	7/2003	Solingen ....	606/170
D583,472 S *	12/2008	Koh ....	D24/143
D598,101 S *	8/2009	Keckstein et al. ....	D24/143
D614,298 S *	4/2010	Koh et al. ....	D24/133
D614,299 S *	4/2010	Koh et al. ....	D24/133
D617,897 S *	6/2010	Koh et al. ....	D24/133
D617,898 S *	6/2010	Koh et al. ....	D24/133
D617,899 S *	6/2010	Koh et al. ....	D24/133
D621,035 S *	8/2010	Koh et al. ....	D24/128
2005/0119692 A1 *	6/2005	Szabo ....	606/205

2008/0046003 A1\* 2/2008 Renger et al. .... 606/206

\* cited by examiner

*Primary Examiner*—Bridget L Eland

(74) *Attorney, Agent, or Firm*—Muncy, Geissler, Olds & Lowe, PLLC

(57) **CLAIM**

The ornamental design for a holder for medical device, as shown and described.

**DESCRIPTION**

FIG. 1 is a left side perspective view of a holder for medical device according to an embodiment of the present invention.

FIG. 2 is a right side perspective view of the holder for medical device of FIG. 1.

FIG. 3 is a top perspective view of the holder for medical device of FIG. 1.

FIG. 4 is a bottom perspective view of the holder for medical device of FIG. 1.

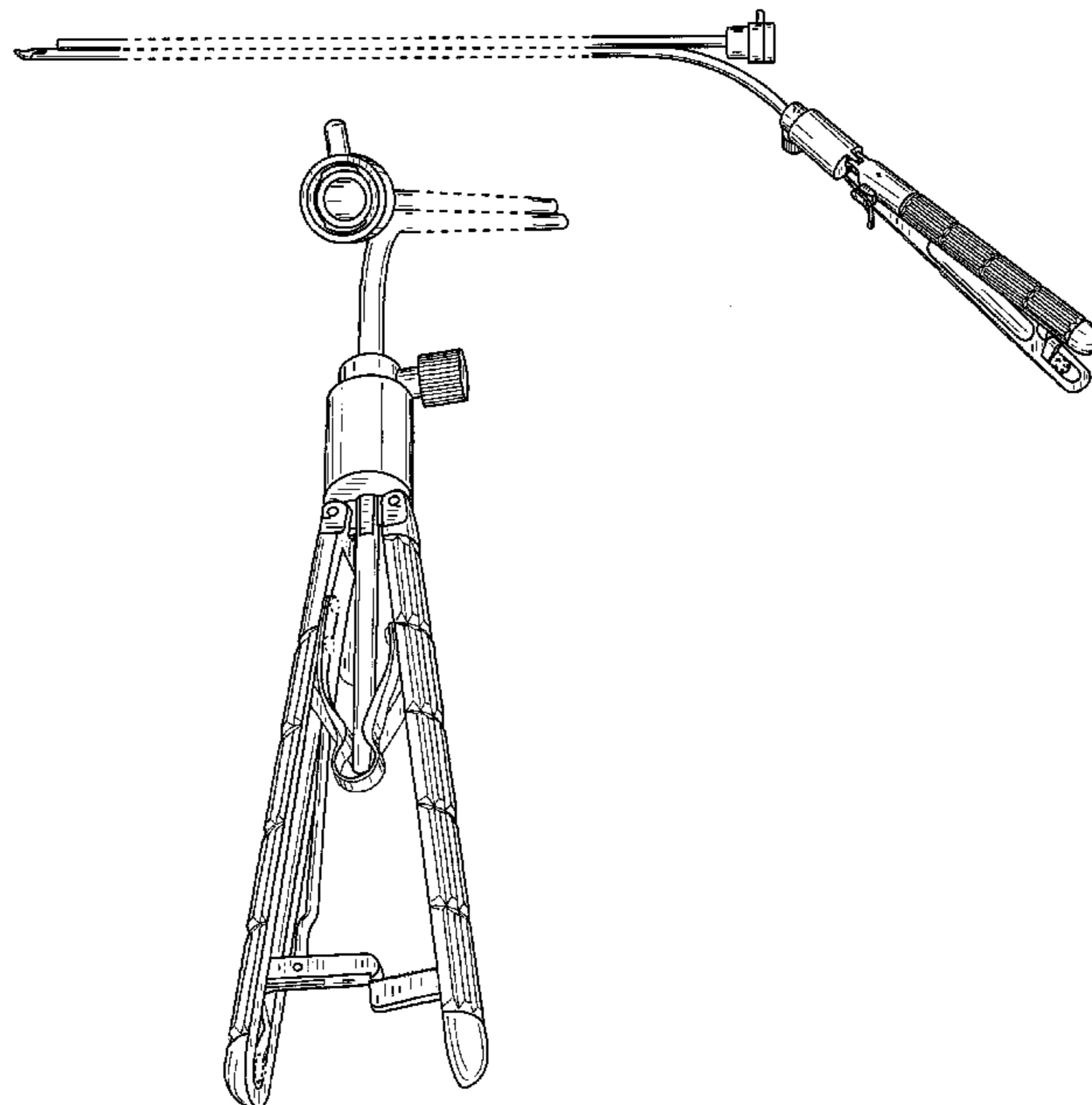
FIG. 5 is a front perspective view of the holder for medical device of FIG. 1.

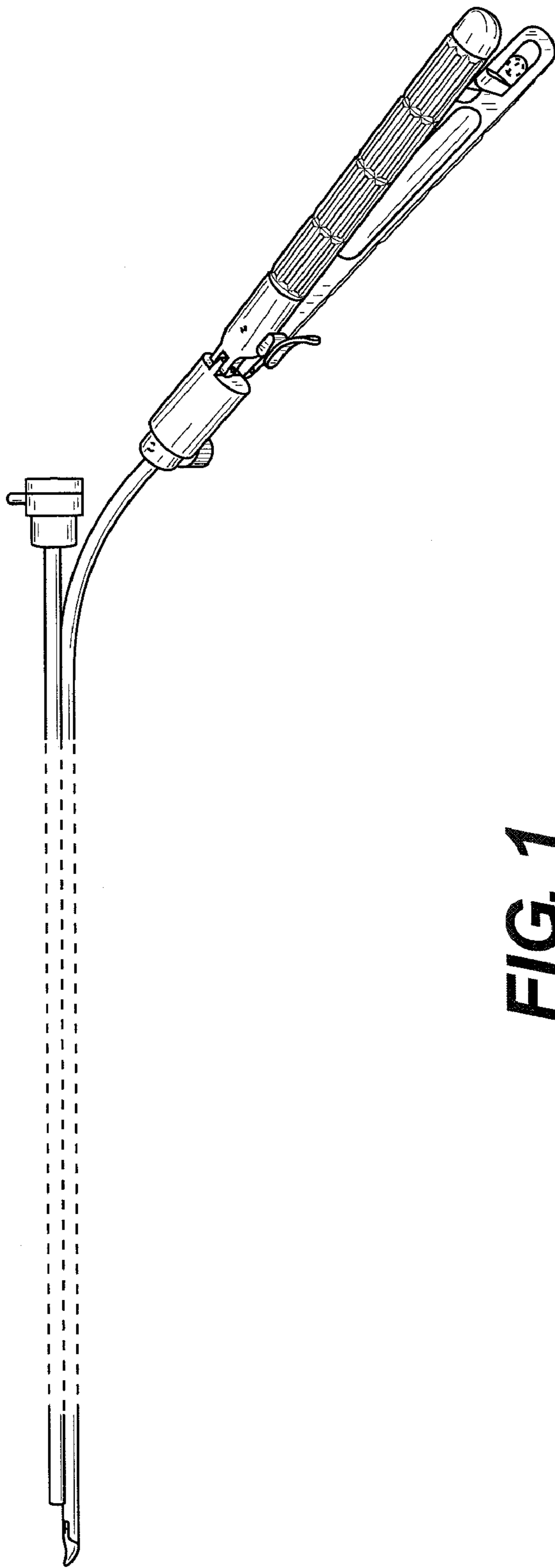
FIG. 6 is a three-quarter front perspective view of the holder for medical device of FIG. 1; and,

FIG. 7 is a rear perspective view of the holder for medical device of FIG. 1.

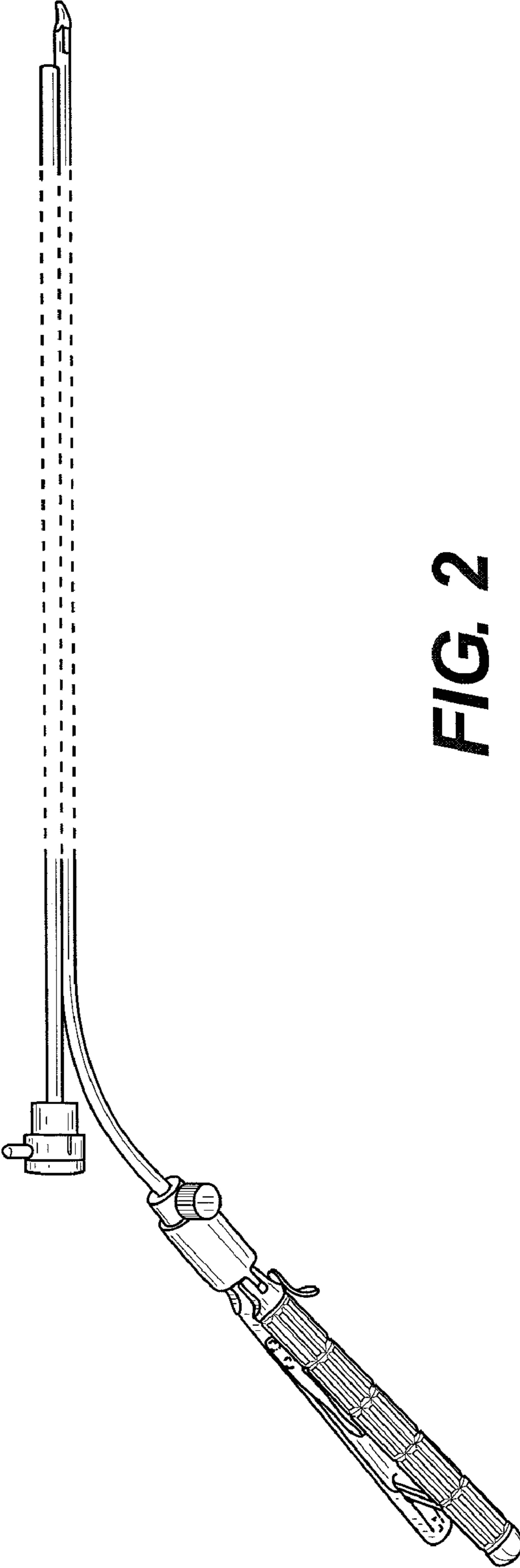
The broken lines immediately adjacent the claimed areas represent the bounds of the claimed design while all other broken lines are directed to environment and are for illustrative purposes only; the broken lines form no part of the claimed design.

**1 Claim, 7 Drawing Sheets**

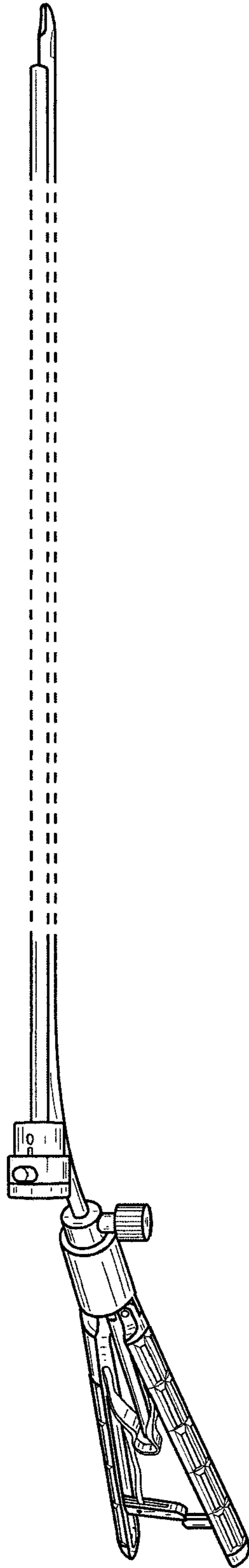




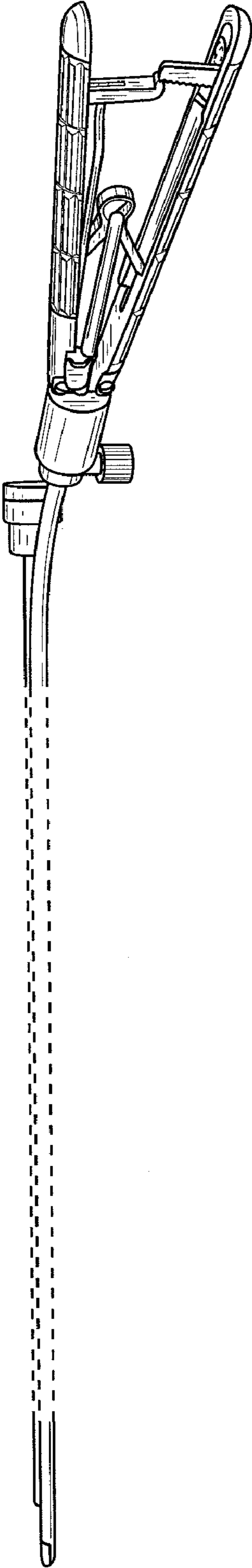
**FIG. 1**



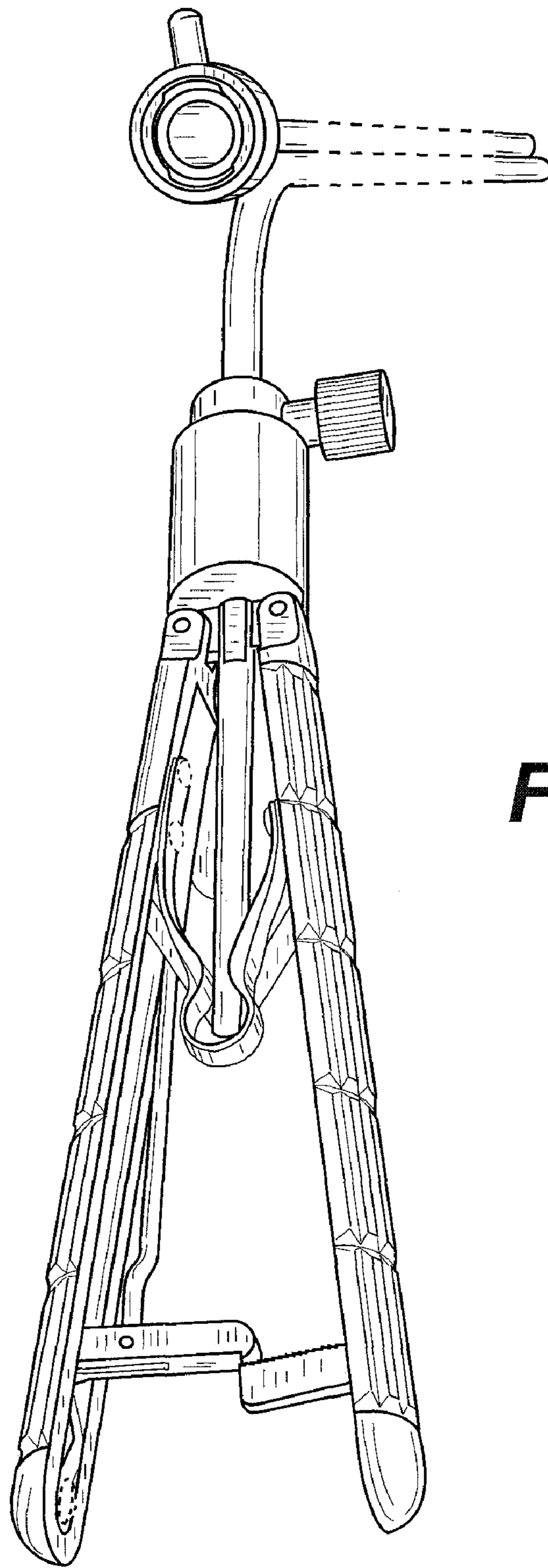
**FIG. 2**



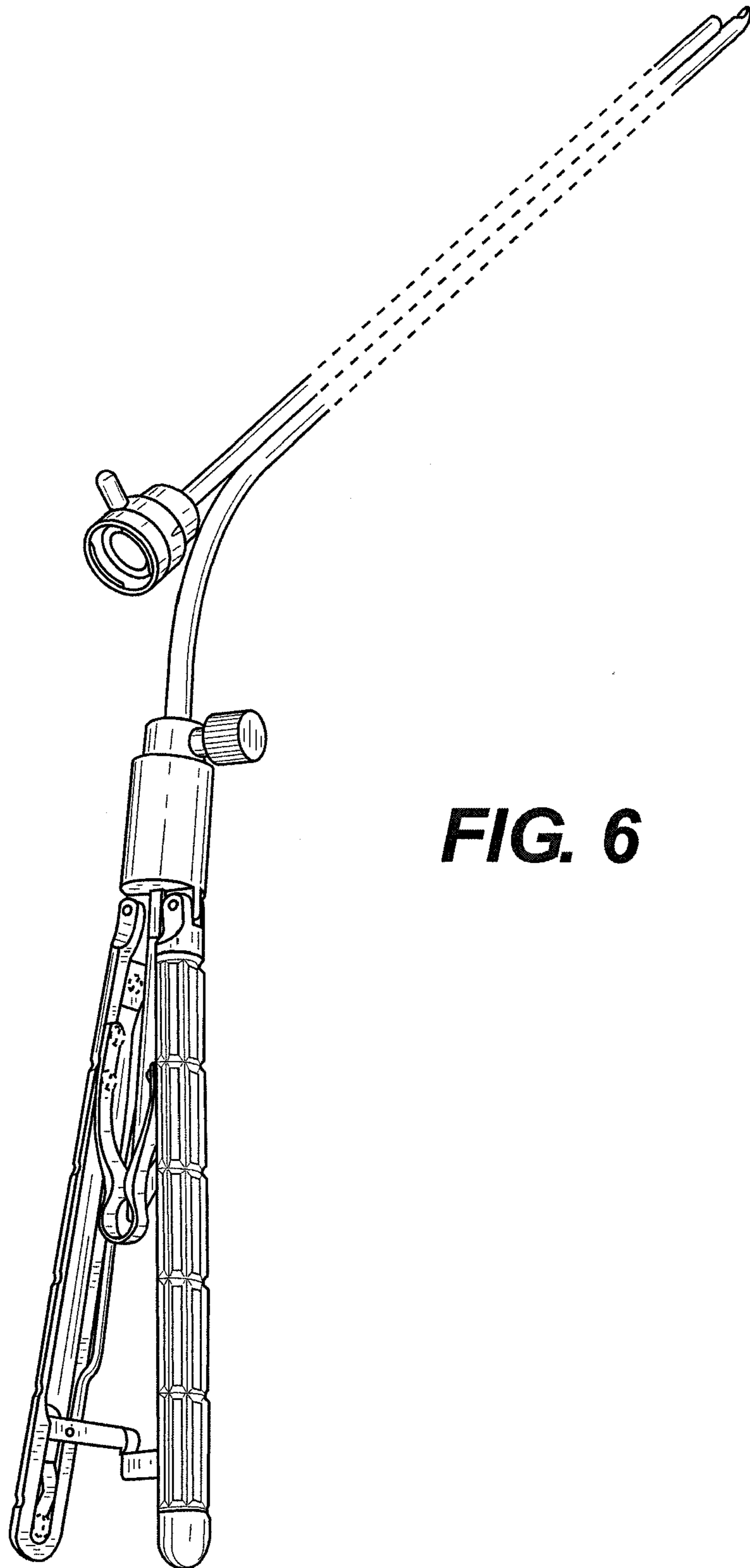
**FIG. 3**



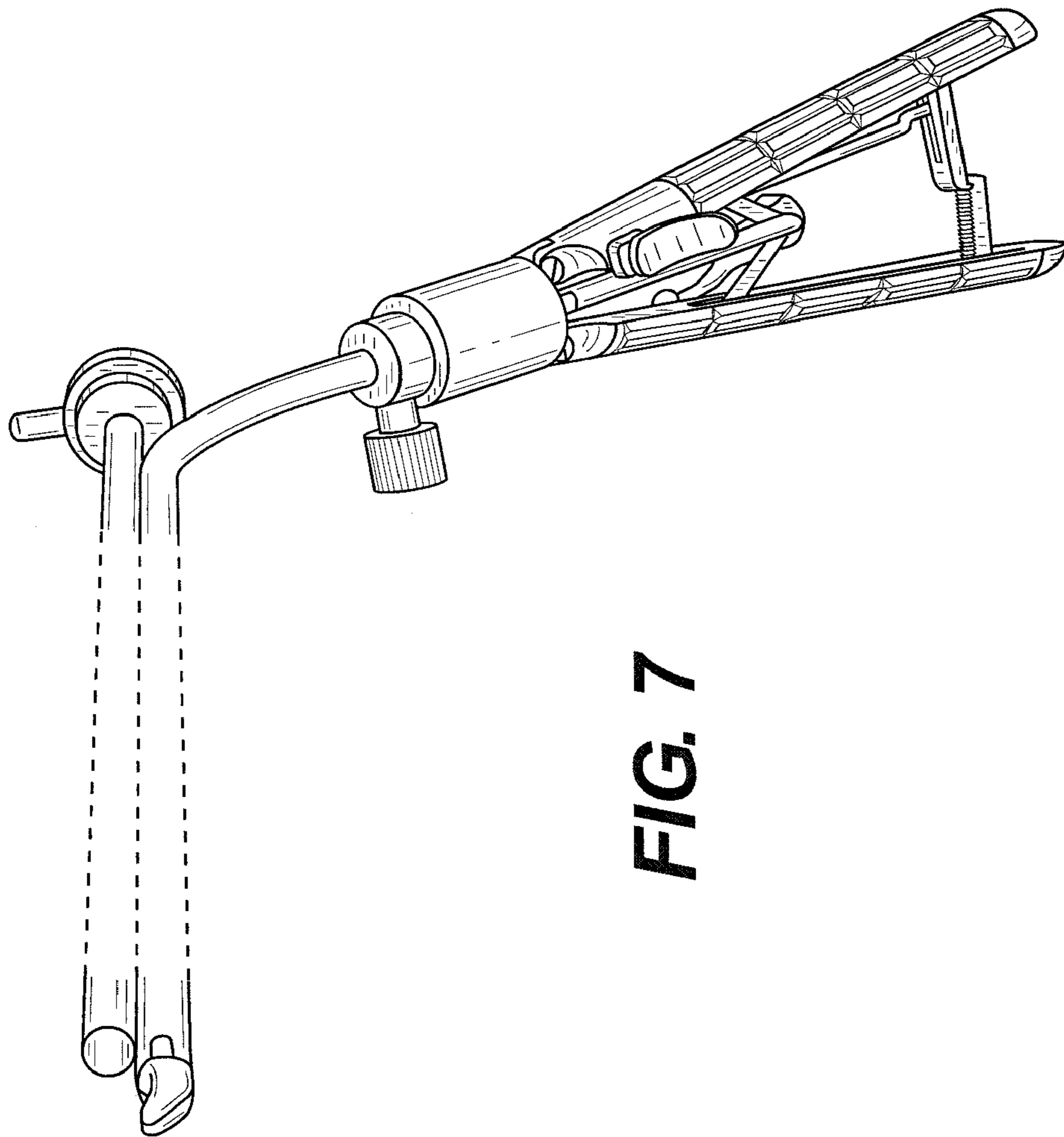
**FIG. 4**



**FIG. 5**



**FIG. 6**



**FIG. 7**