



US00D631155S

(12) **United States Design Patent**
Peine et al.

(10) **Patent No.:** **US D631,155 S**
(45) **Date of Patent:** **** Jan. 18, 2011**

(54) **MEDICAL INSTRUMENT**

(75) Inventors: **William J. Peine**, Ashland, MA (US);
Andres Chamorro, Waltham, MA (US);
James C. Hollenbeck, Brighton, MA
(US); **Woojin Lee**, Hopkinton, MA (US)

(73) Assignee: **Cambridge Endoscopic Devices, Inc.**,
Framingham, MA (US)

(**) Term: **14 Years**

(21) Appl. No.: **29/348,936**

(22) Filed: **Feb. 23, 2010**

(51) **LOC (9) Cl.** **24-02**

(52) **U.S. Cl.** **D24/133**

(58) **Field of Classification Search** D24/133,
D24/146, 147, 143, 144, 145, 148; 606/205-209,
606/210-211, 142, 143, 151, 157

See application file for complete search history.

(56) **References Cited**

U.S. PATENT DOCUMENTS

D454,951 S * 3/2002 Bon D24/112

(Continued)

Primary Examiner—Bridget L Eland

(74) *Attorney, Agent, or Firm*—David M. Driscoll, Esq.

(57) **CLAIM**

The ornamental design for a medical instrument, as shown and described.

DESCRIPTION

FIG. 1 is a perspective view of a medical instrument showing the grasper environment;

FIG. 2 is a right side elevational view showing the grasper environment;

FIG. 3 is a left side elevational view showing the grasper environment;

FIG. 4 is a top plan view showing the grasper environment;

FIG. 5 is a bottom plan view showing the grasper environment;

FIG. 6 is a front elevational view showing the grasper environment;

FIG. 7 is a rear elevational view showing the grasper environment;

FIG. 8 is a perspective view of a medical instrument showing the needle holder environment;

FIG. 9 is a right side elevational view showing the needle holder environment;

FIG. 10 is a left side elevational view showing the needle holder environment;

FIG. 11 is a top plan view showing the needle holder environment;

FIG. 12 is a bottom plan view showing the needle holder environment;

FIG. 13 is a front elevational view showing the needle holder environment;

FIG. 14 is a rear elevational view showing the needle holder environment;

FIG. 15 is a perspective view of a medical instrument showing the dissector environment;

FIG. 16 is a right side elevational view showing the dissector environment;

FIG. 17 is a left side elevational view showing the dissector environment;

FIG. 18 is a top plan view showing the dissector environment;

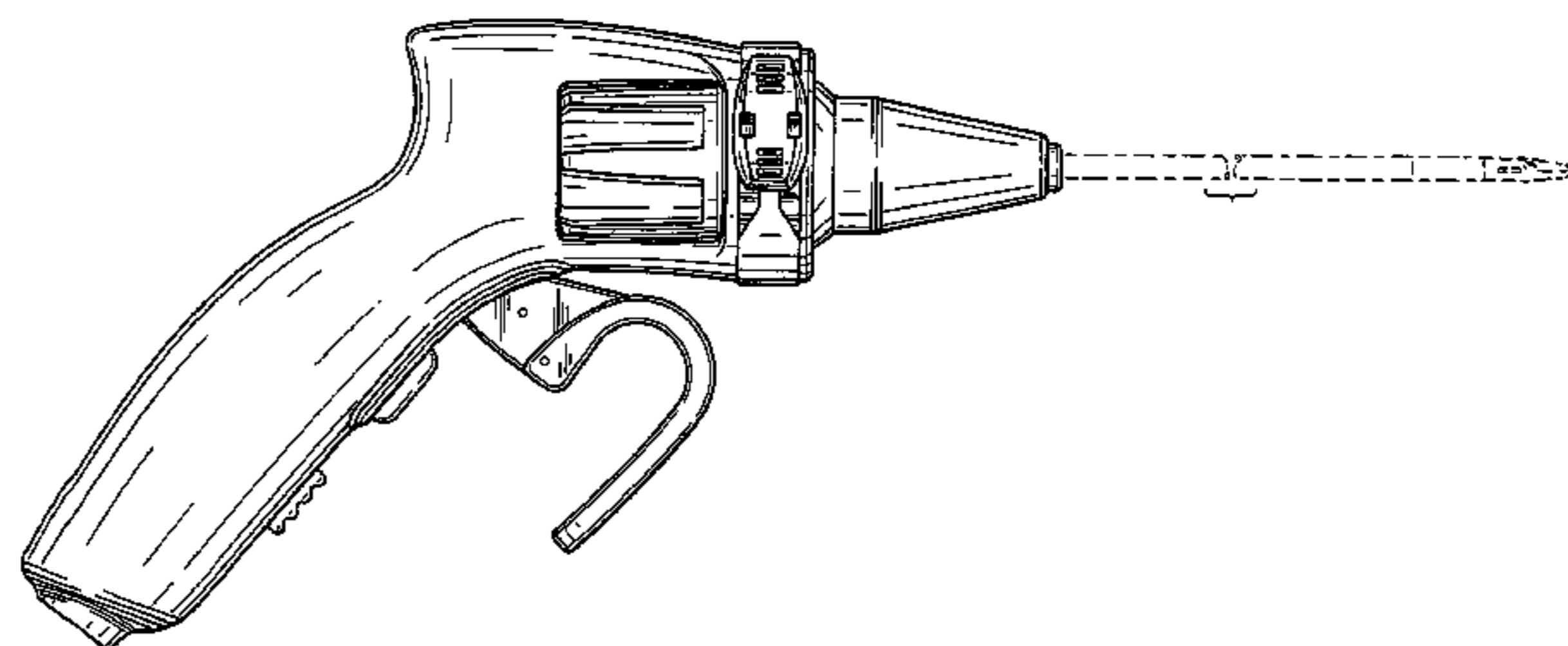
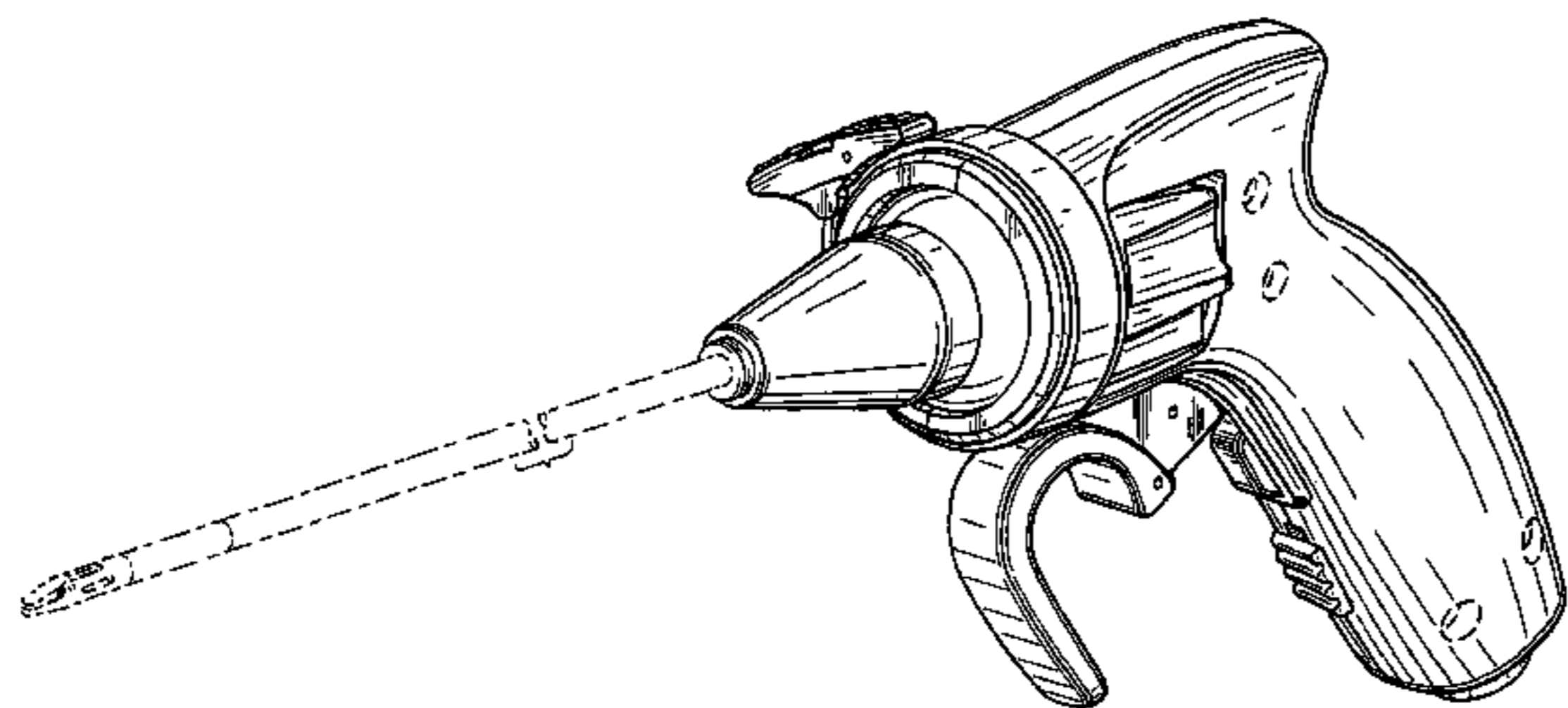
FIG. 19 is a bottom plan view showing the dissector environment;

FIG. 20 is a front elevational view showing the dissector environment; and,

FIG. 21 is a rear elevational view showing the dissector environment.

The broken lines immediately adjacent the claimed areas represent the bounds of the claimed design while all other broken lines are directed to environment and are for illustrative purposes only; the broken lines form no part of the claimed design.

1 Claim, 15 Drawing Sheets



US D631,155 S

Page 2

U.S. PATENT DOCUMENTS

D457,958 S *	5/2002	Dycus et al.	D24/144	D575,401 S *	8/2008	Hixson et al.	D24/144
D466,209 S *	11/2002	Bon	D24/112	D583,051 S *	12/2008	Lee et al.	D24/133
D496,997 S *	10/2004	Dycus et al.	D24/144	D594,983 S *	6/2009	Price et al.	D24/145
D499,181 S *	11/2004	Dycus et al.	D24/144	D620,593 S *	7/2010	Tran et al.	D24/144
D535,027 S *	1/2007	James et al.	D24/148	2008/0065116 A1 *	3/2008	Lee et al.	606/142
D536,093 S *	1/2007	Nakajima et al.	D24/138	2008/0255420 A1 *	10/2008	Lee et al.	600/137

* cited by examiner

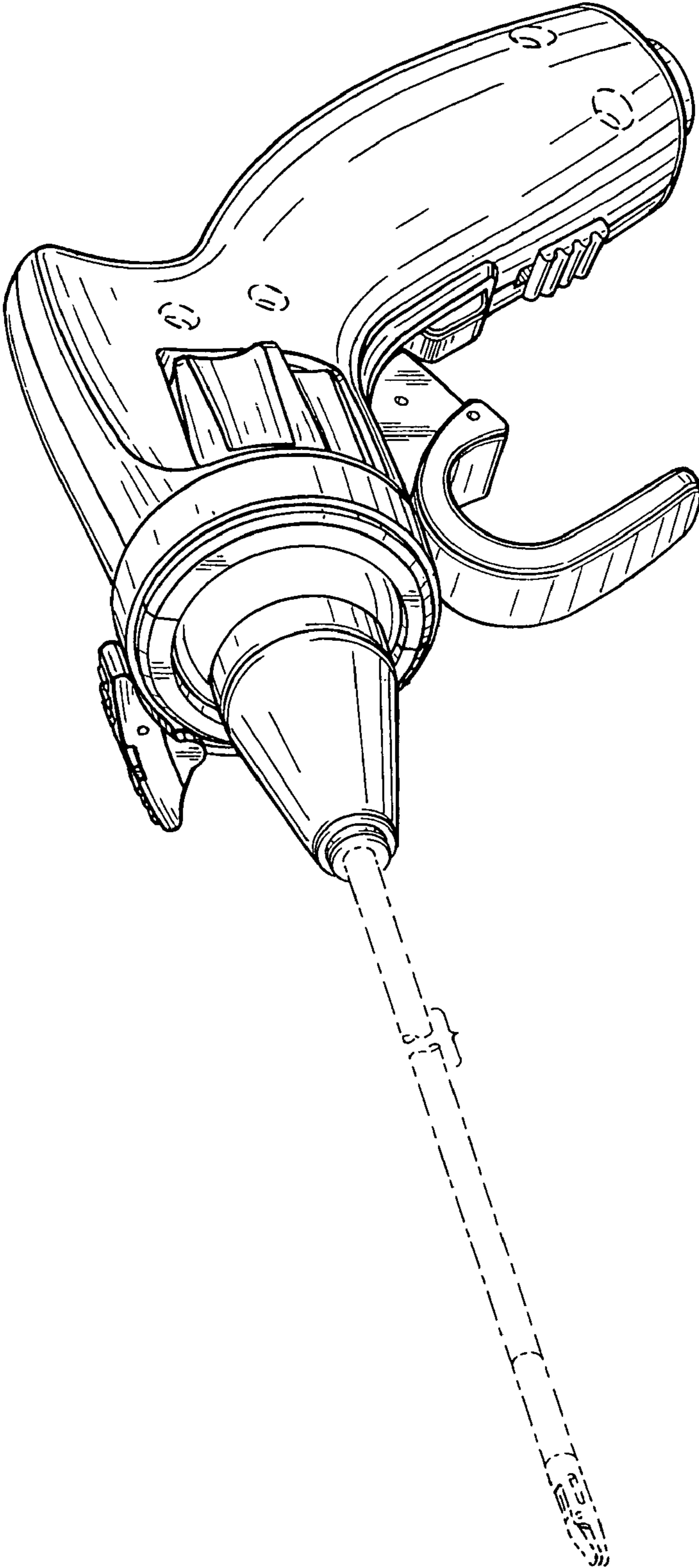


Fig. 1

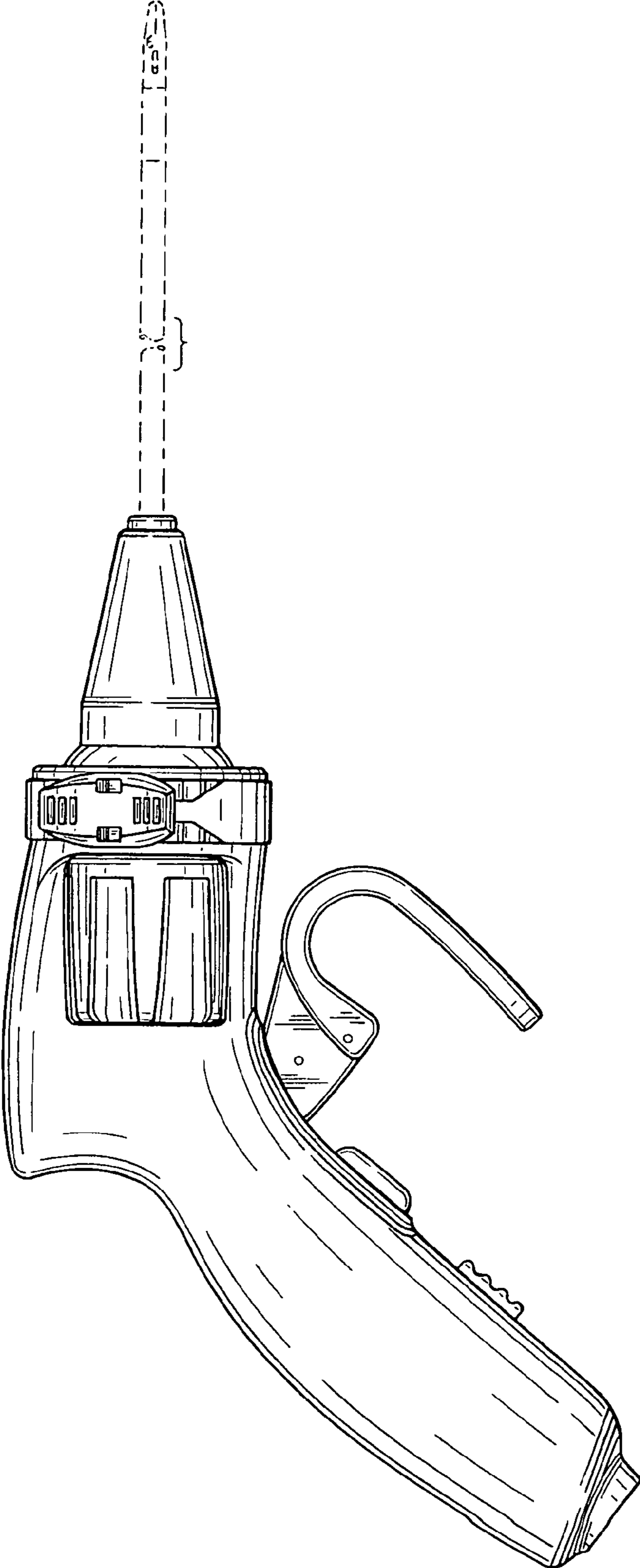


Fig. 2

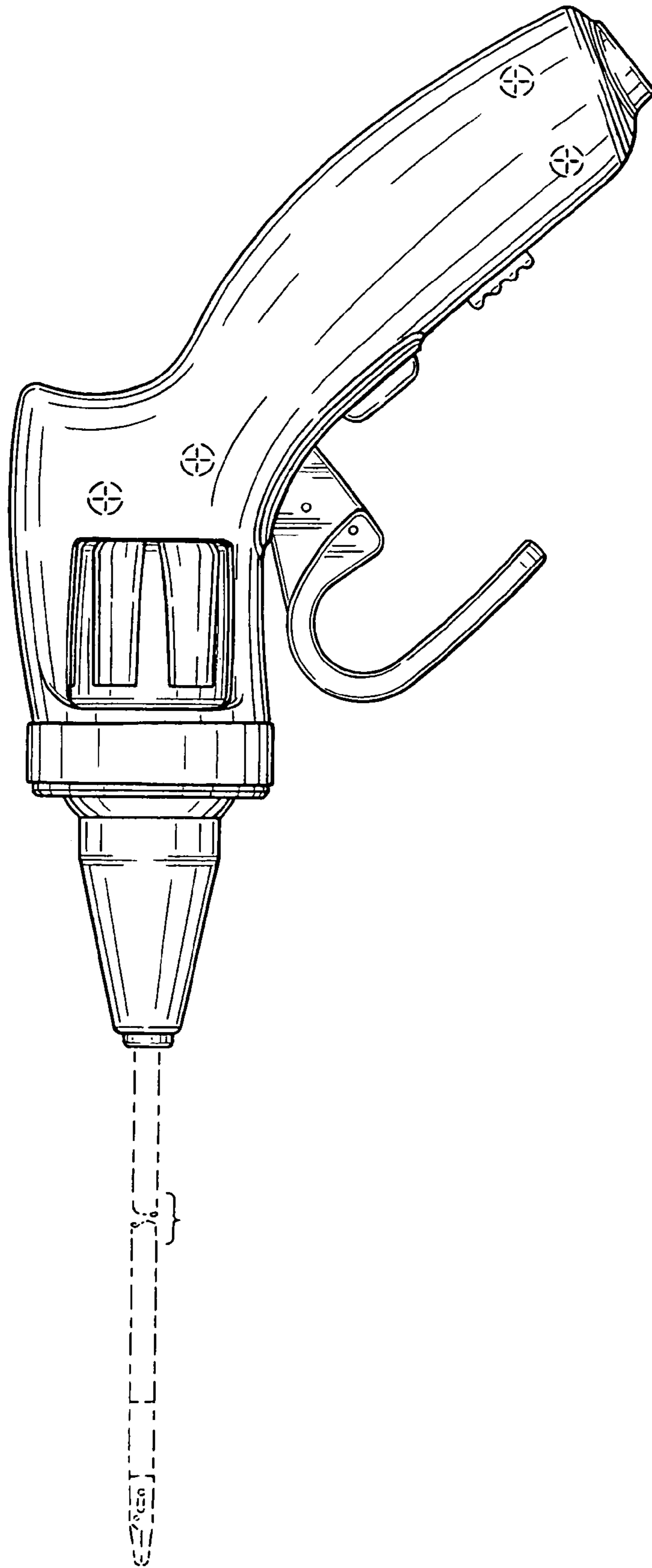


Fig. 3

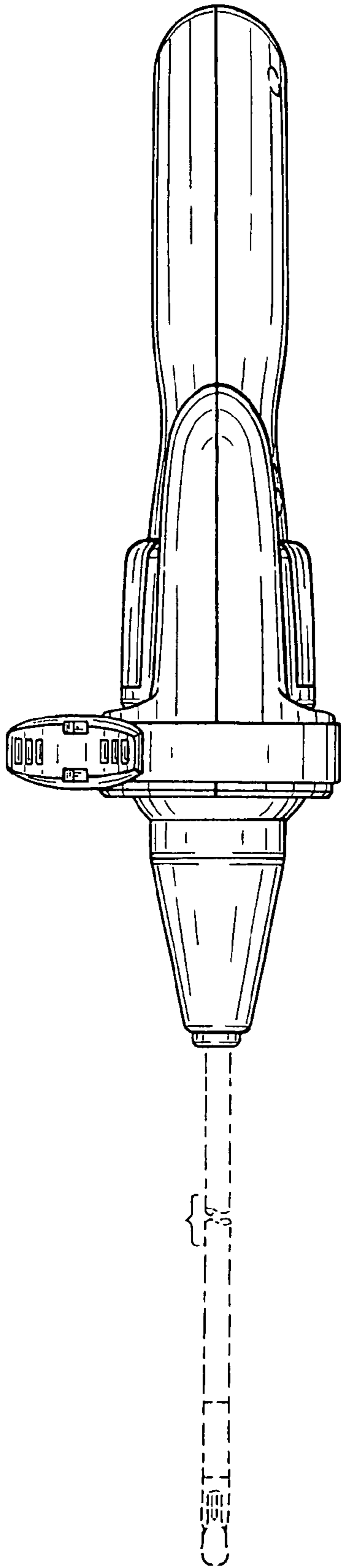


Fig. 4

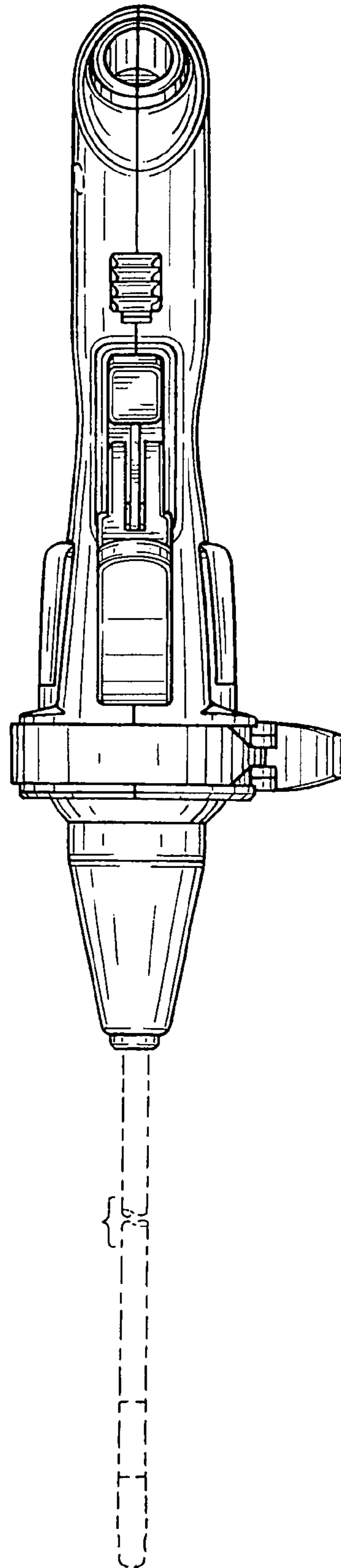


Fig. 5

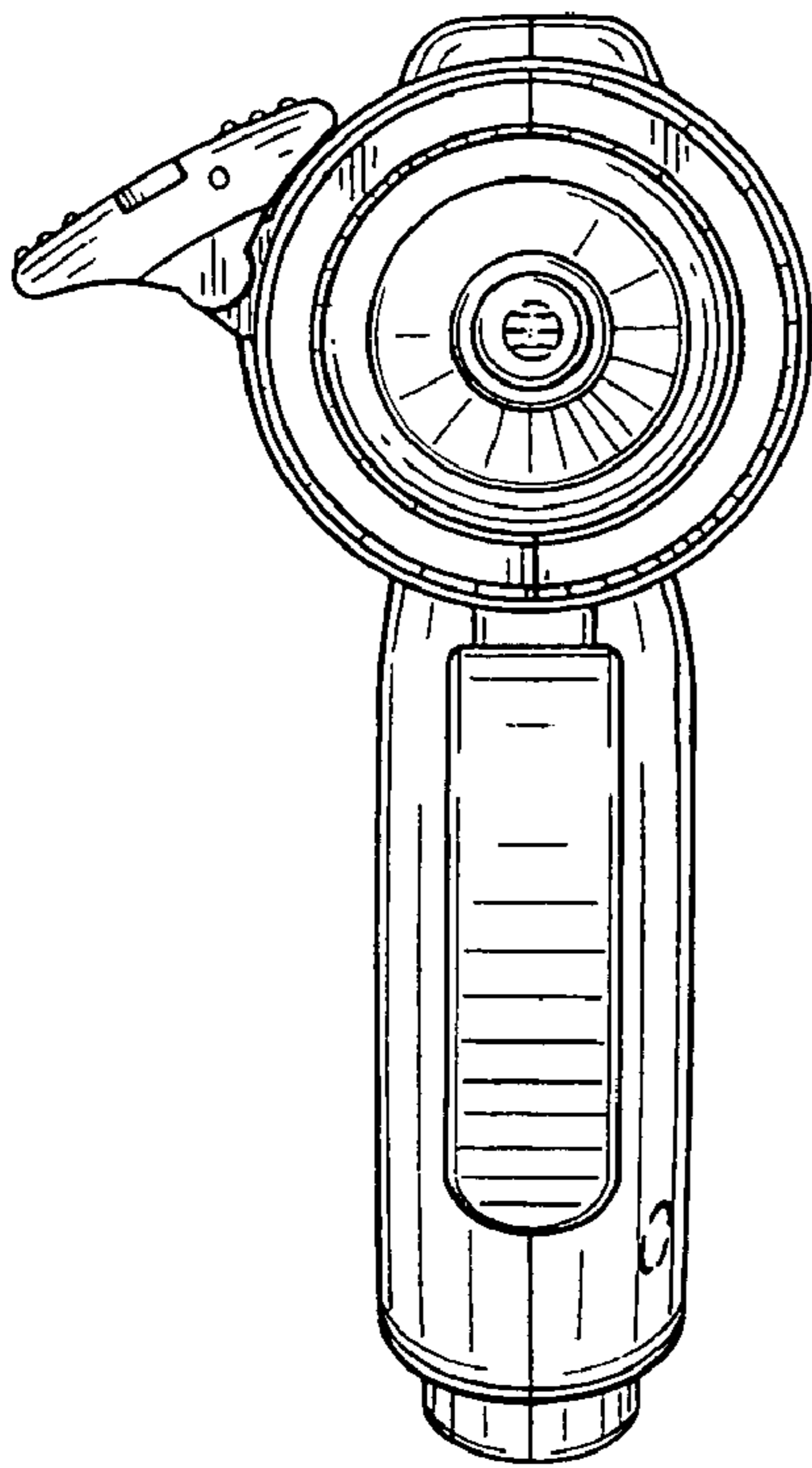


Fig. 6

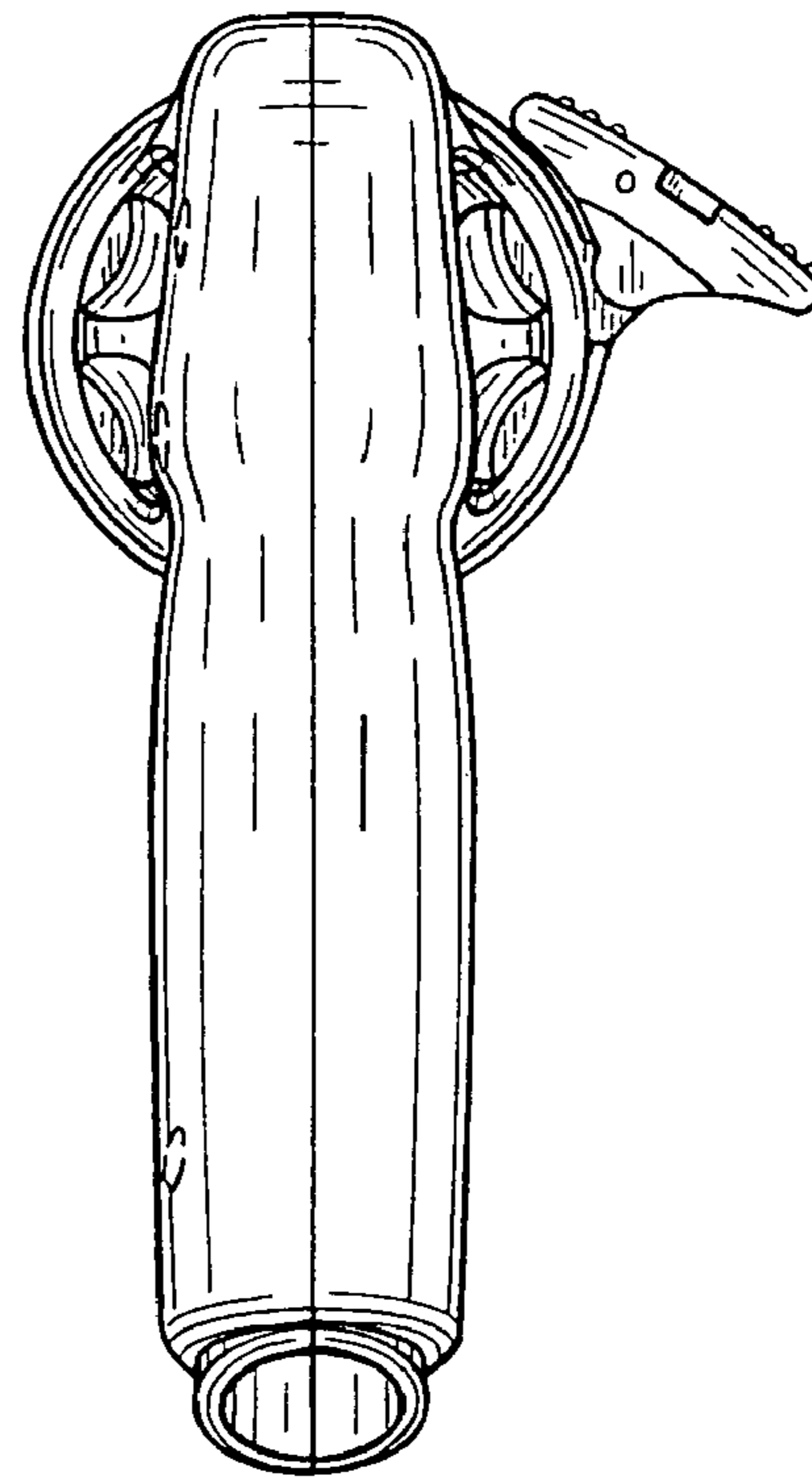


Fig. 7

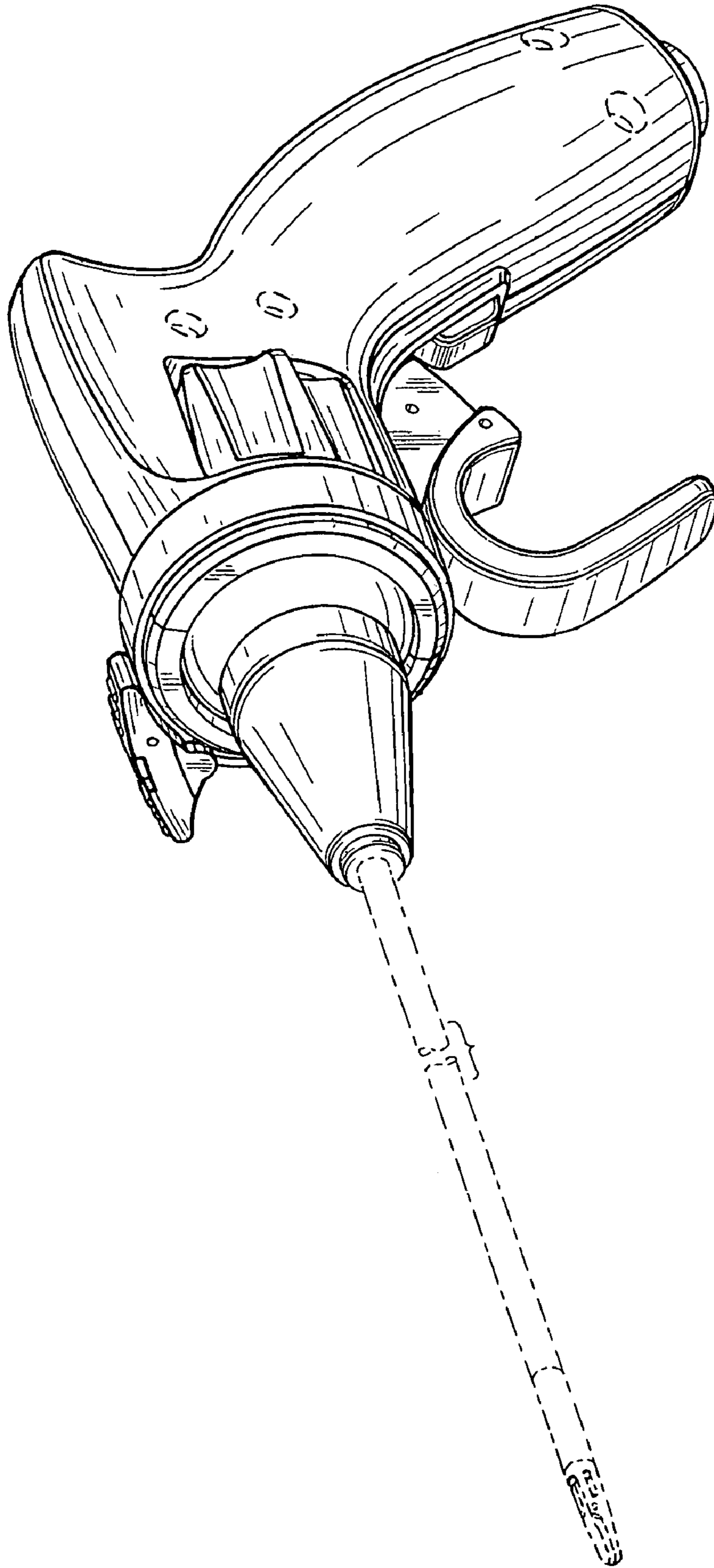


Fig. 8

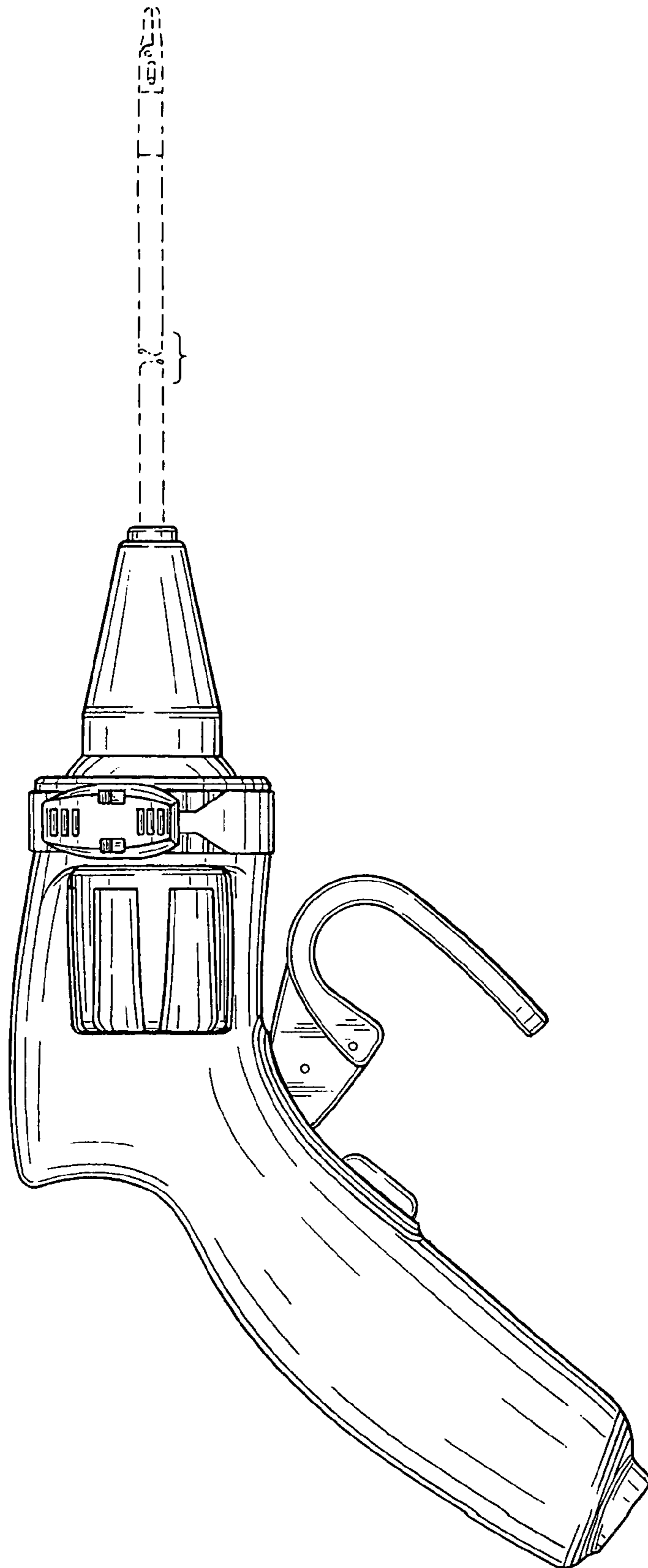


Fig. 9

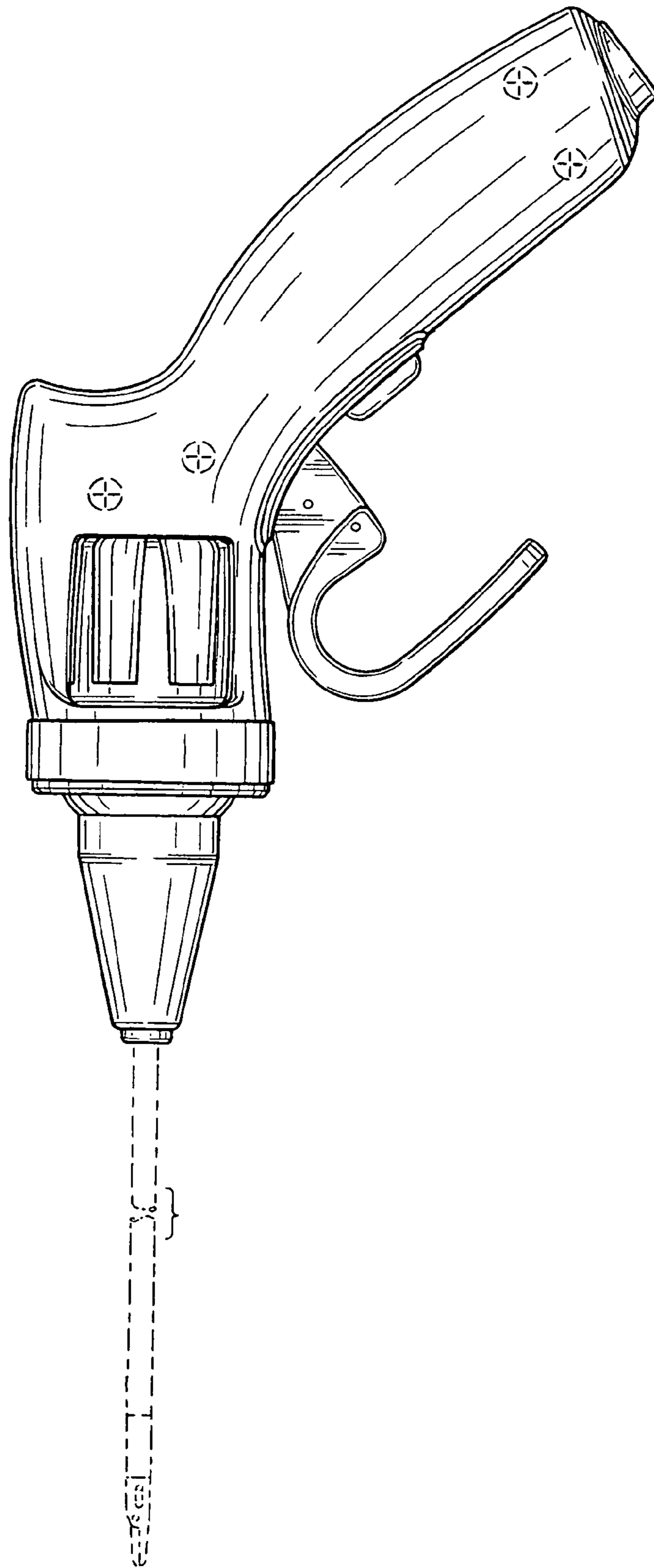


Fig. 10

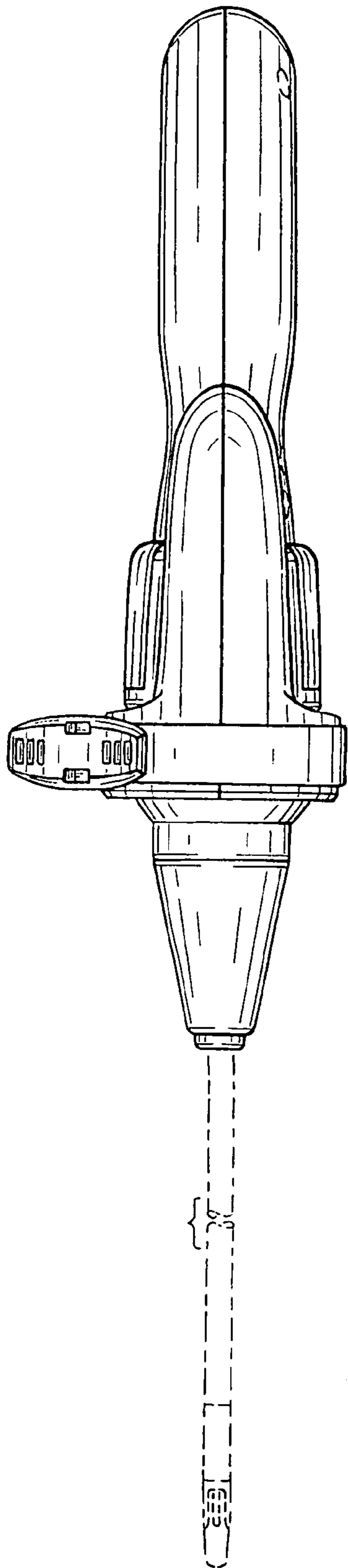


Fig. 11

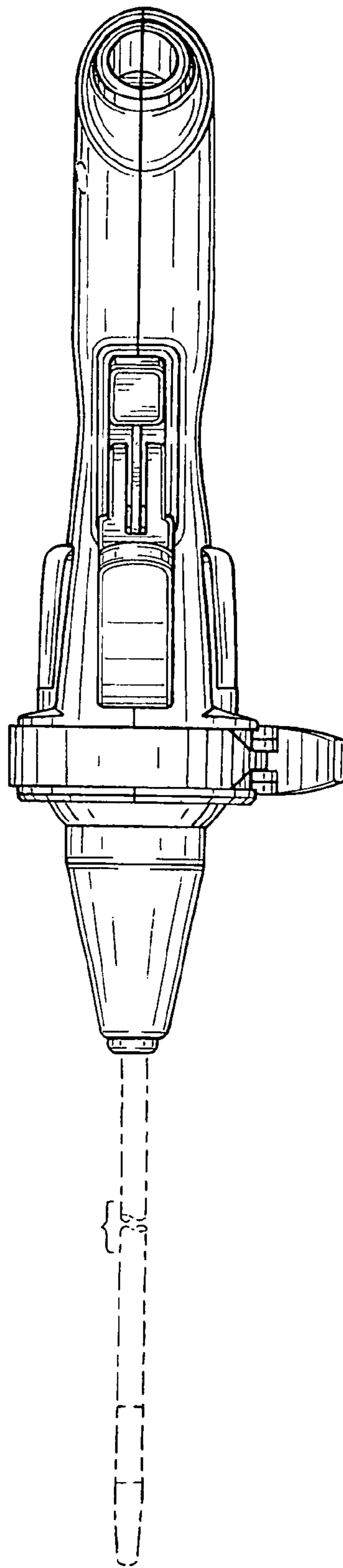


Fig. 12

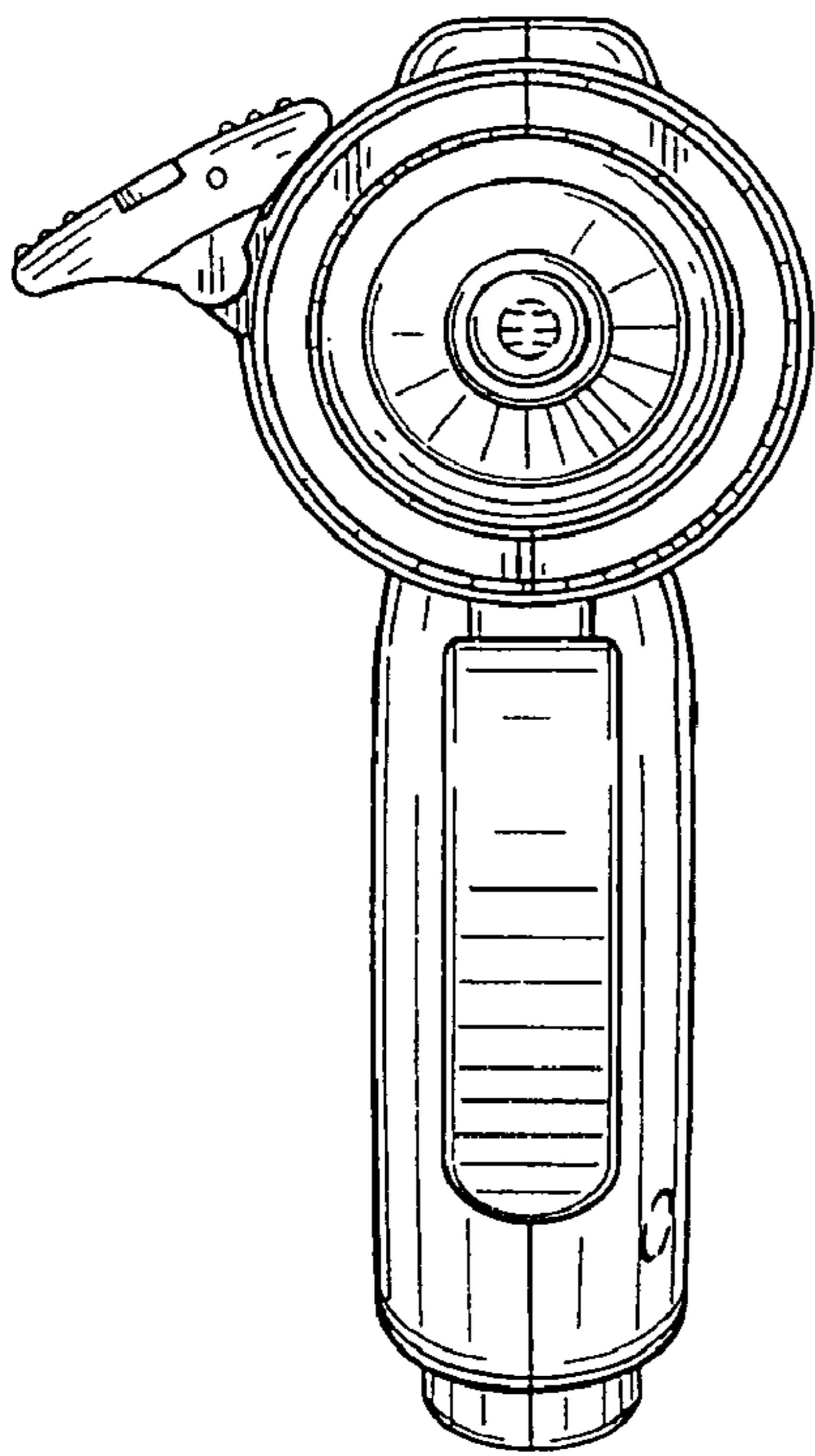


Fig. 13

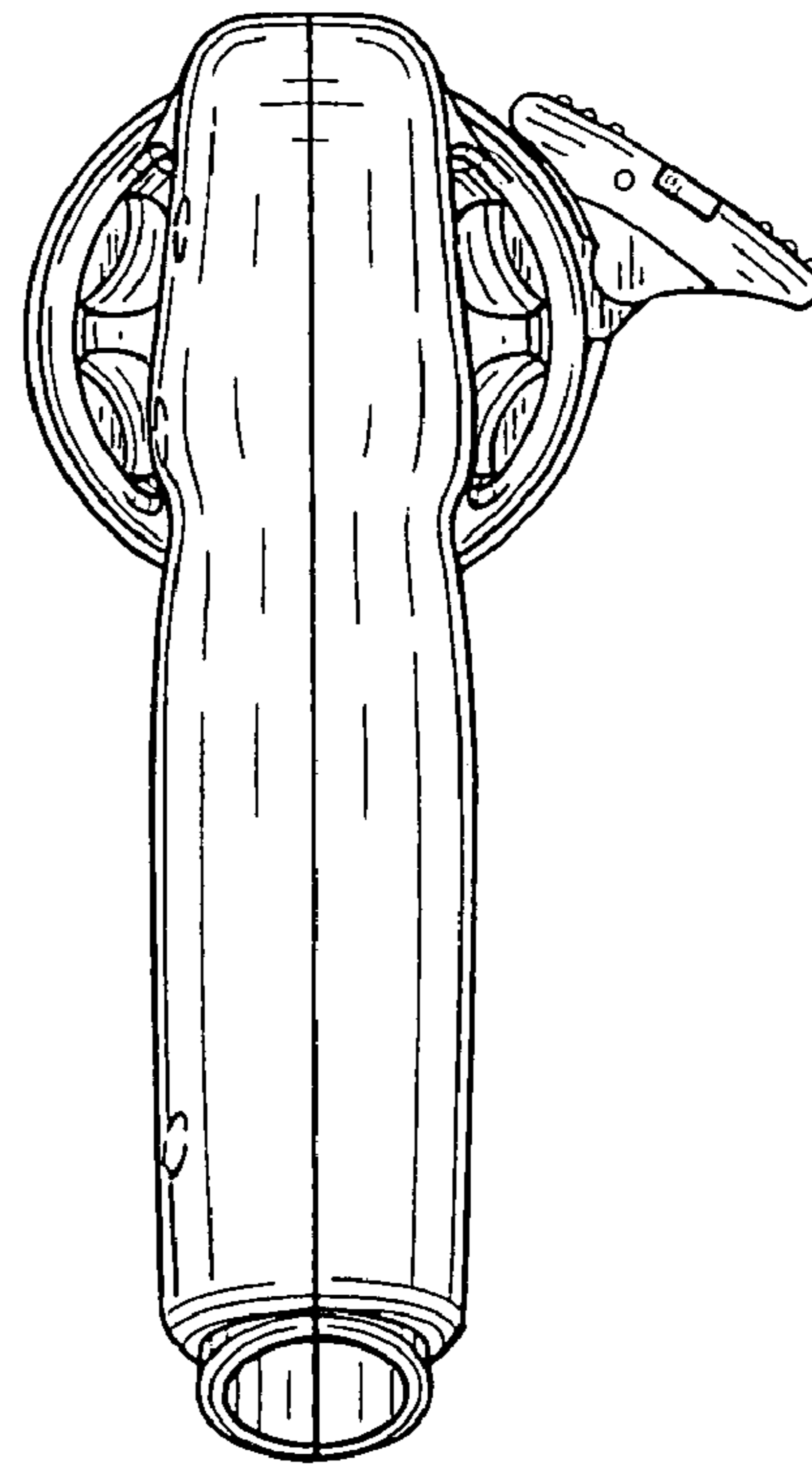


Fig. 14

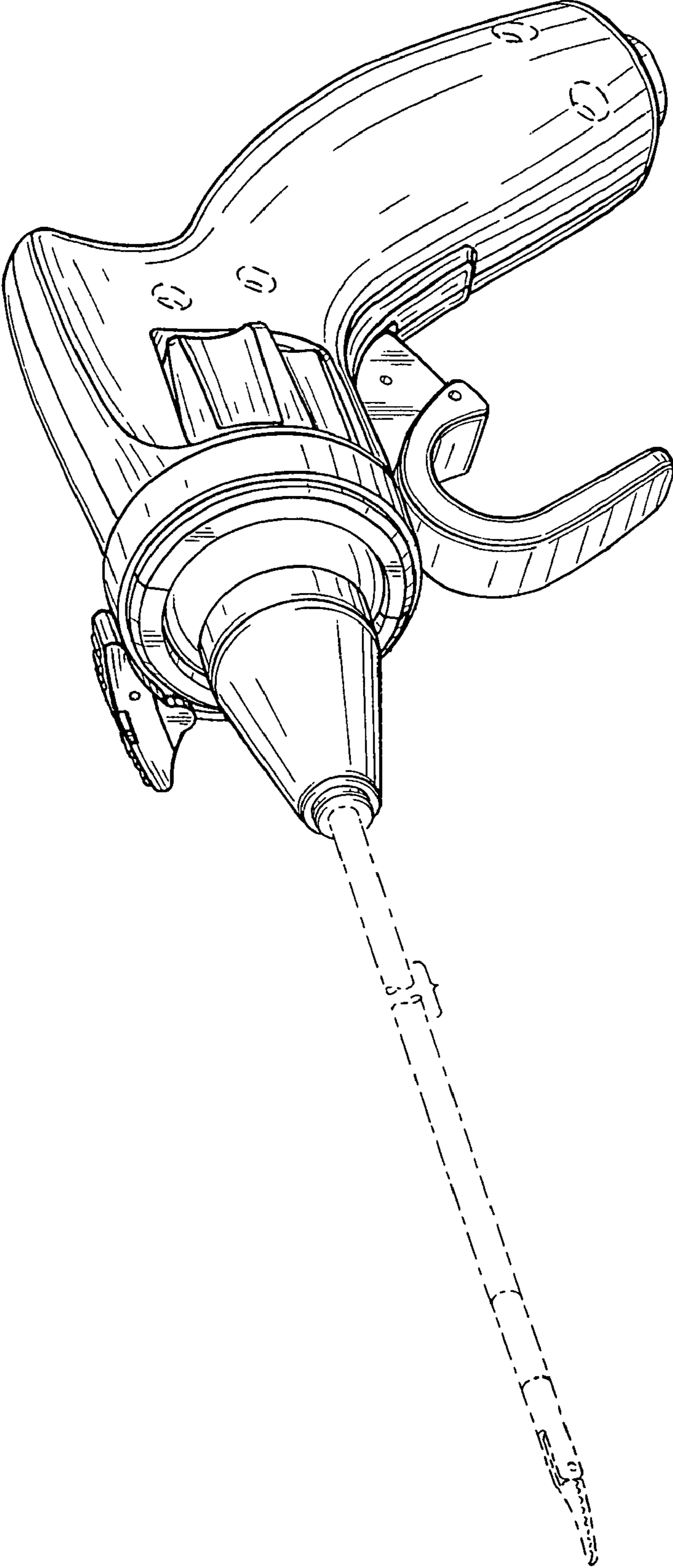


Fig. 15

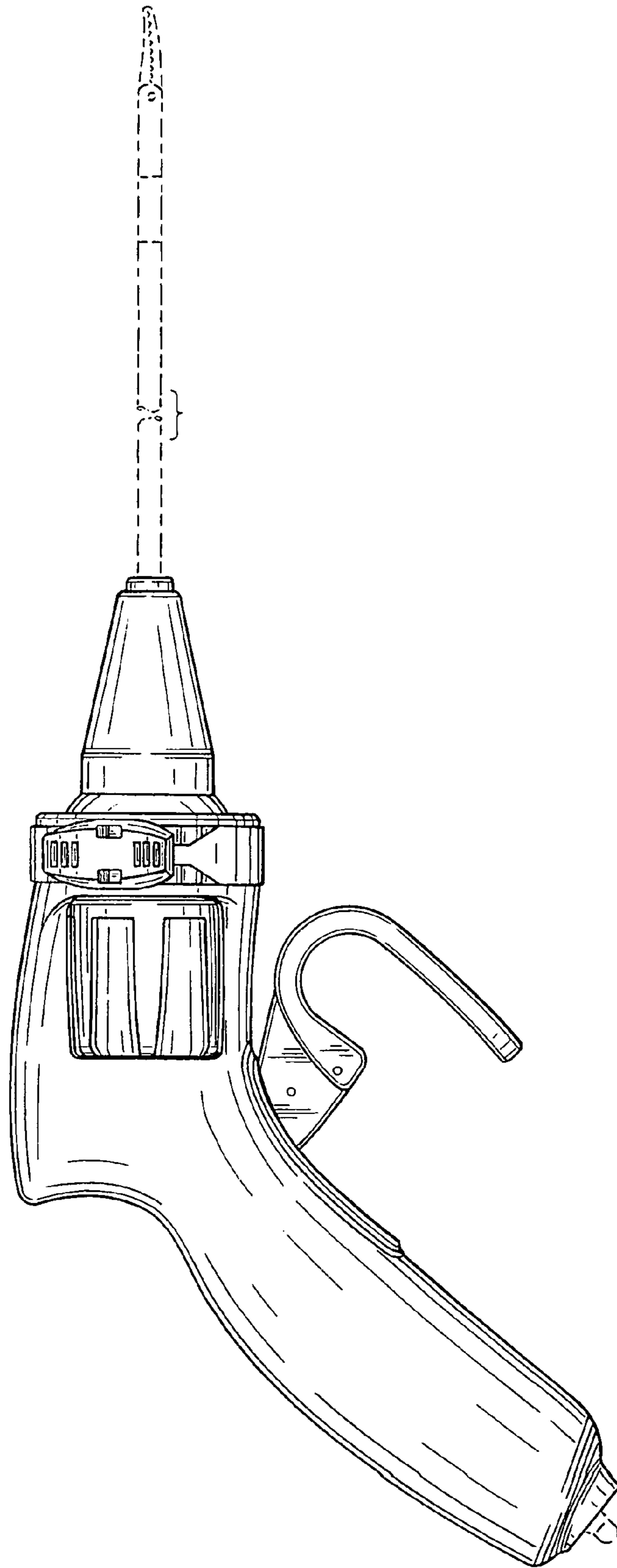


Fig. 16

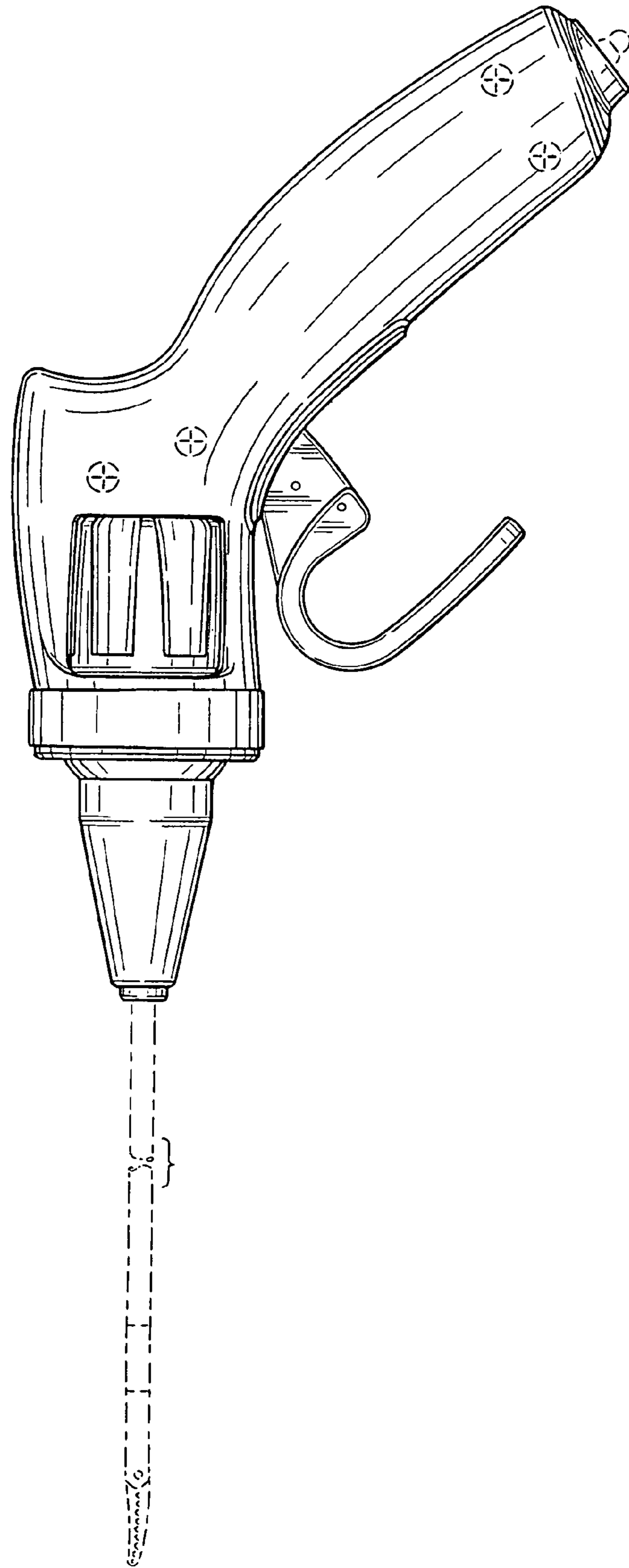


Fig. 17

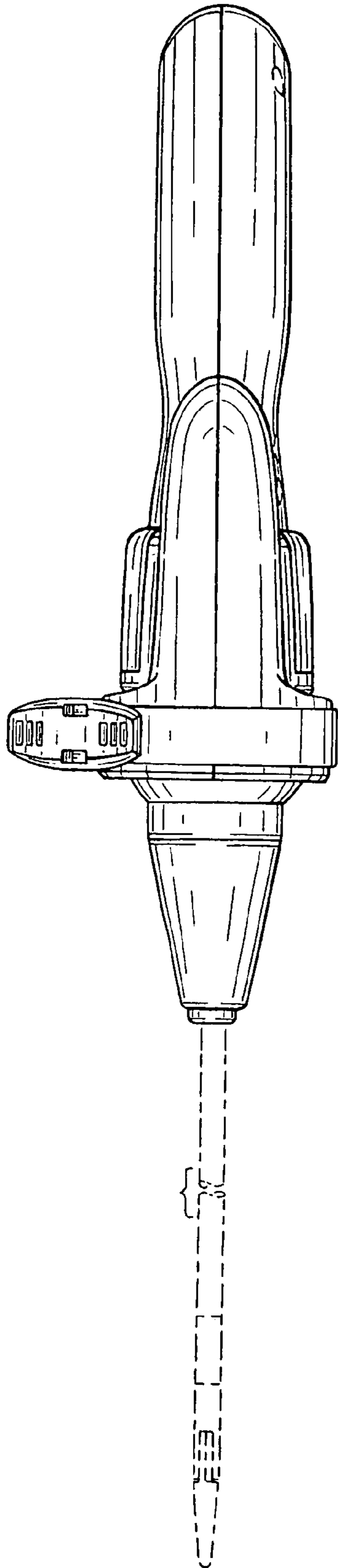


Fig. 18

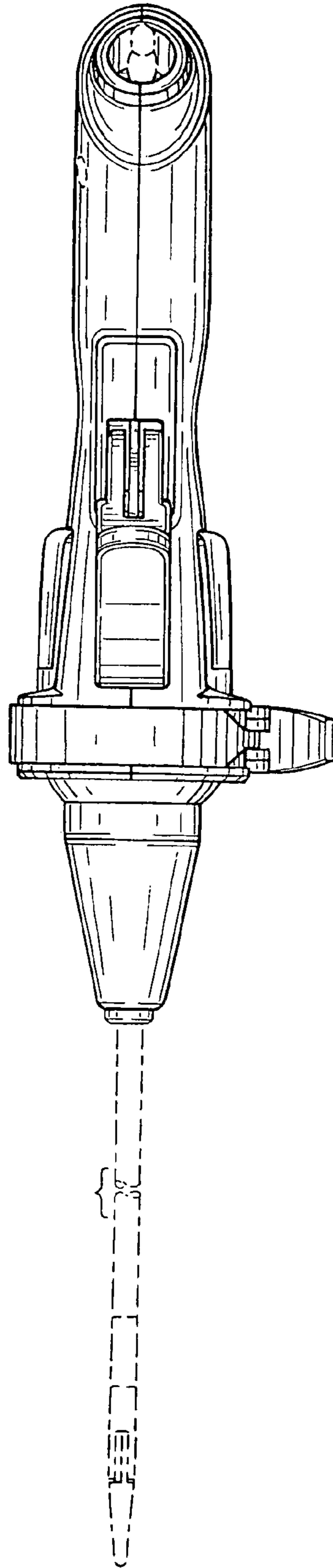


Fig. 19

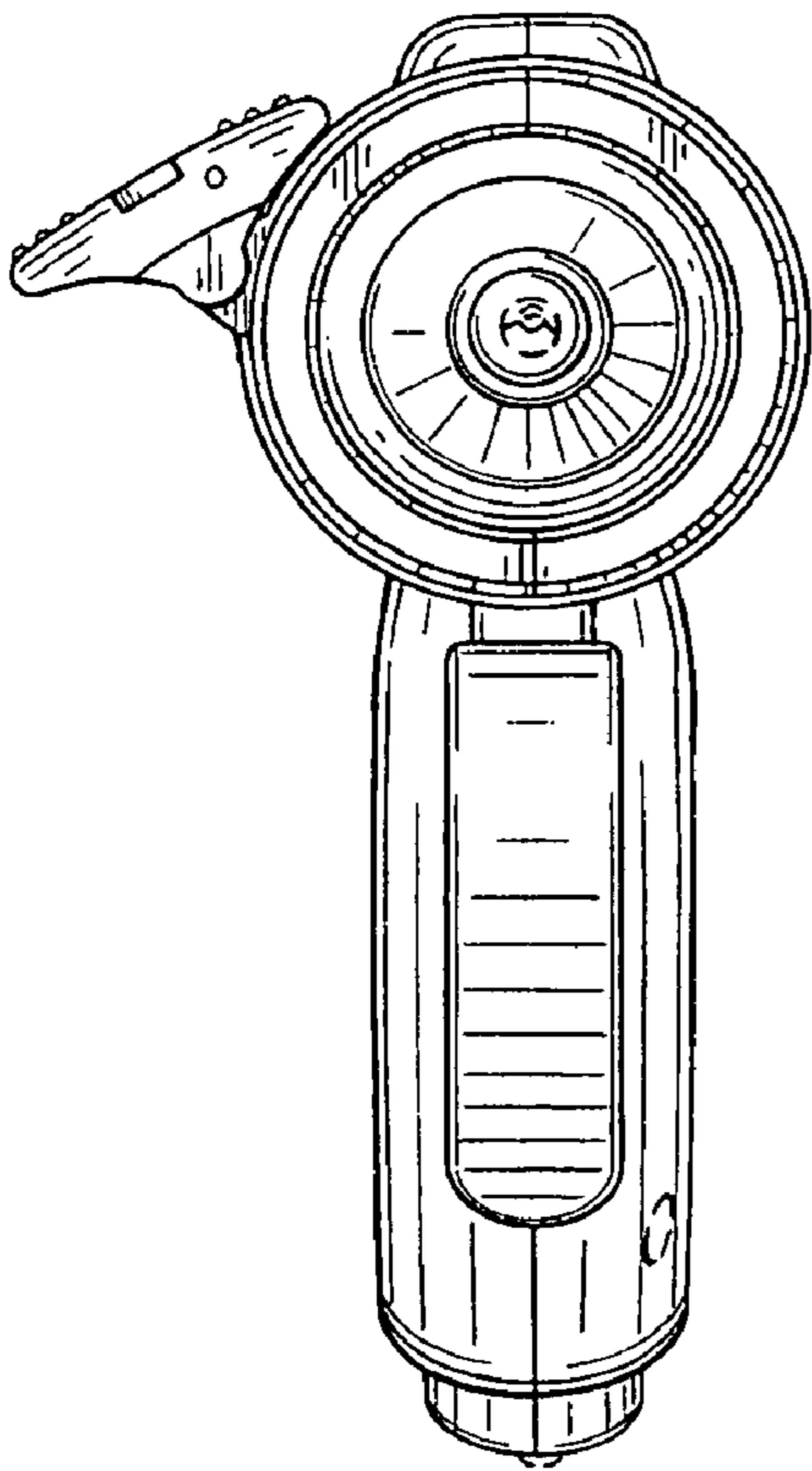


Fig. 20

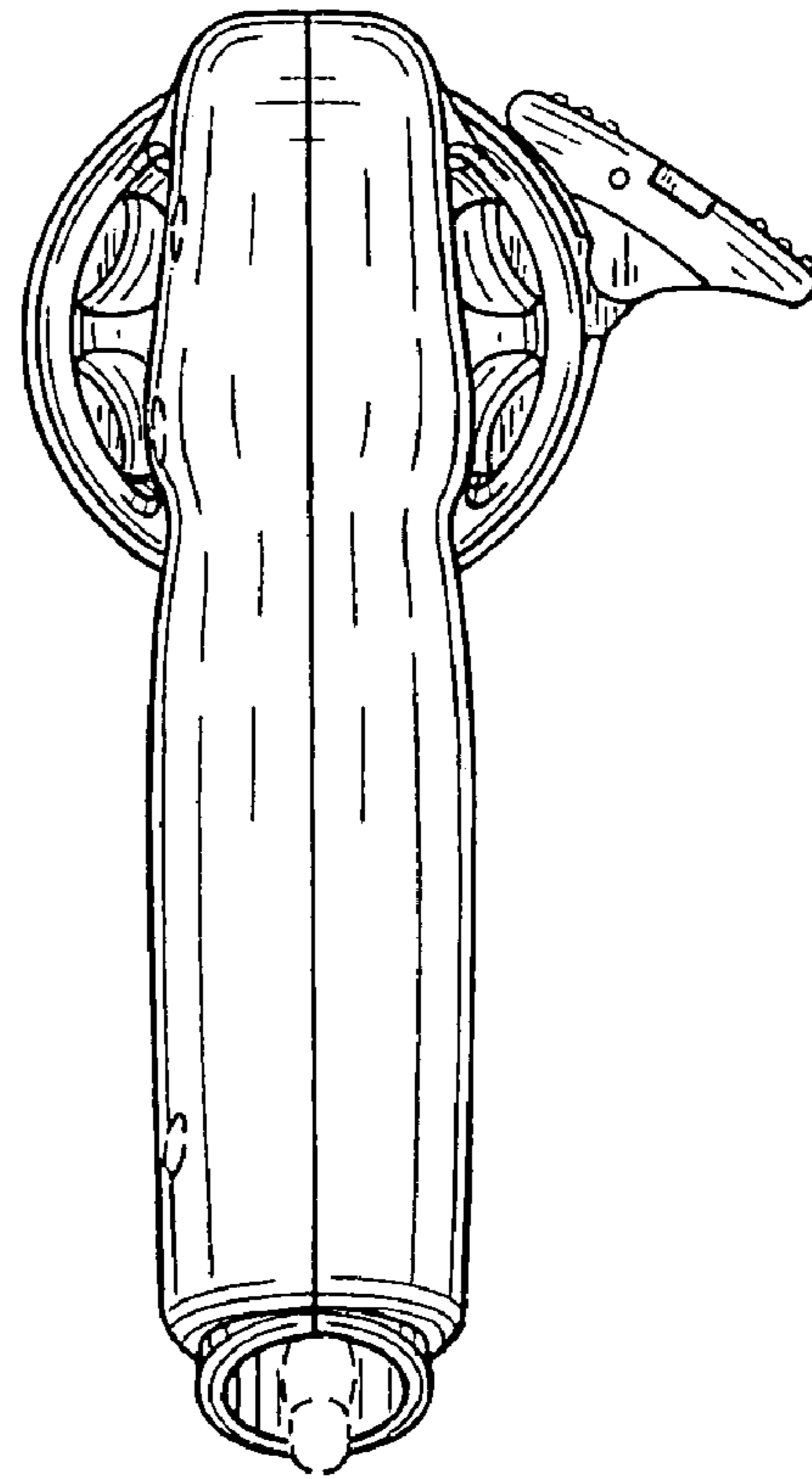


Fig. 21