



US00D631150S

(12) **United States Design Patent**
Eimer et al.

(10) **Patent No.:** **US D631,150 S**
(45) **Date of Patent:** **** Jan. 18, 2011**

(54) **FAN HOUSING**

(75) Inventors: **Georg Eimer**, St. Georgen (DE);
Wolfgang Laufer, Aich Halden (DE);
Rodica Peia, Zimmern Ob Rottweil
(DE)

(73) Assignee: **EBM-Papst St. Georgen GmbH & Co.**
KG, St. Georgen (DE)

(**) Term: **14 Years**

(21) Appl. No.: **29/317,847**

(22) Filed: **May 8, 2008**

(30) **Foreign Application Priority Data**

Nov. 19, 2007 (DE) 407 06 015
May 2, 2008 (EM) 000933635

(51) **LOC (9) Cl.** **23-04**

(52) **U.S. Cl.** **D23/411**

(58) **Field of Classification Search** D23/370,
D23/411; 415/208.2, 203; 416/247 R
See application file for complete search history.

(56) **References Cited**

U.S. PATENT DOCUMENTS

D621,027 S * 8/2010 Peia D23/411

* cited by examiner

Primary Examiner—Lisa P Lichtenstein

(74) *Attorney, Agent, or Firm*—Milton Oliver; Oliver
Intellectual Property LLC

(57) **CLAIM**

The ornamental design for a fan housing, as shown and
described.

DESCRIPTION

FIG. 1 is a perspective view of a first embodiment of the fan
housing of our invention;

FIG. 2 is a front view thereof;

FIG. 3 is a rear view thereof;

FIG. 4 is a right side view thereof;

FIG. 5 is a left side view thereof;

FIG. 6 is a top view thereof; and

FIG. 7 is a bottom view thereof;

FIG. 8 is a perspective view of a second embodiment of the
fan housing of our invention;

FIG. 9 is a front view thereof;

FIG. 10 is a rear view thereof;

FIG. 11 is a right side view thereof;

FIG. 12 is a left side view thereof;

FIG. 13 is a top view thereof; and

FIG. 14 is a bottom view thereof;

FIG. 15 is a perspective view of a third embodiment of the fan
housing of our invention;

FIG. 16 is a front view thereof;

FIG. 17 is a rear view thereof;

FIG. 18 is a right side view thereof;

FIG. 19 is a left side view thereof;

FIG. 20 is a top view thereof; and

FIG. 21 is a bottom view thereof;

FIG. 22 is a perspective view of a fourth embodiment of the
fan housing of our invention;

FIG. 23 is a front view thereof;

FIG. 24 is a rear view thereof;

FIG. 25 is a right side view thereof;

FIG. 26 is a left side view thereof;

FIG. 27 is a top view thereof; and

FIG. 28 is a bottom view thereof;

FIG. 29 is a perspective view of a fifth embodiment of the fan
housing of our invention;

FIG. 30 is a front view thereof;

FIG. 31 is a rear view thereof;

FIG. 32 is a right side view thereof;

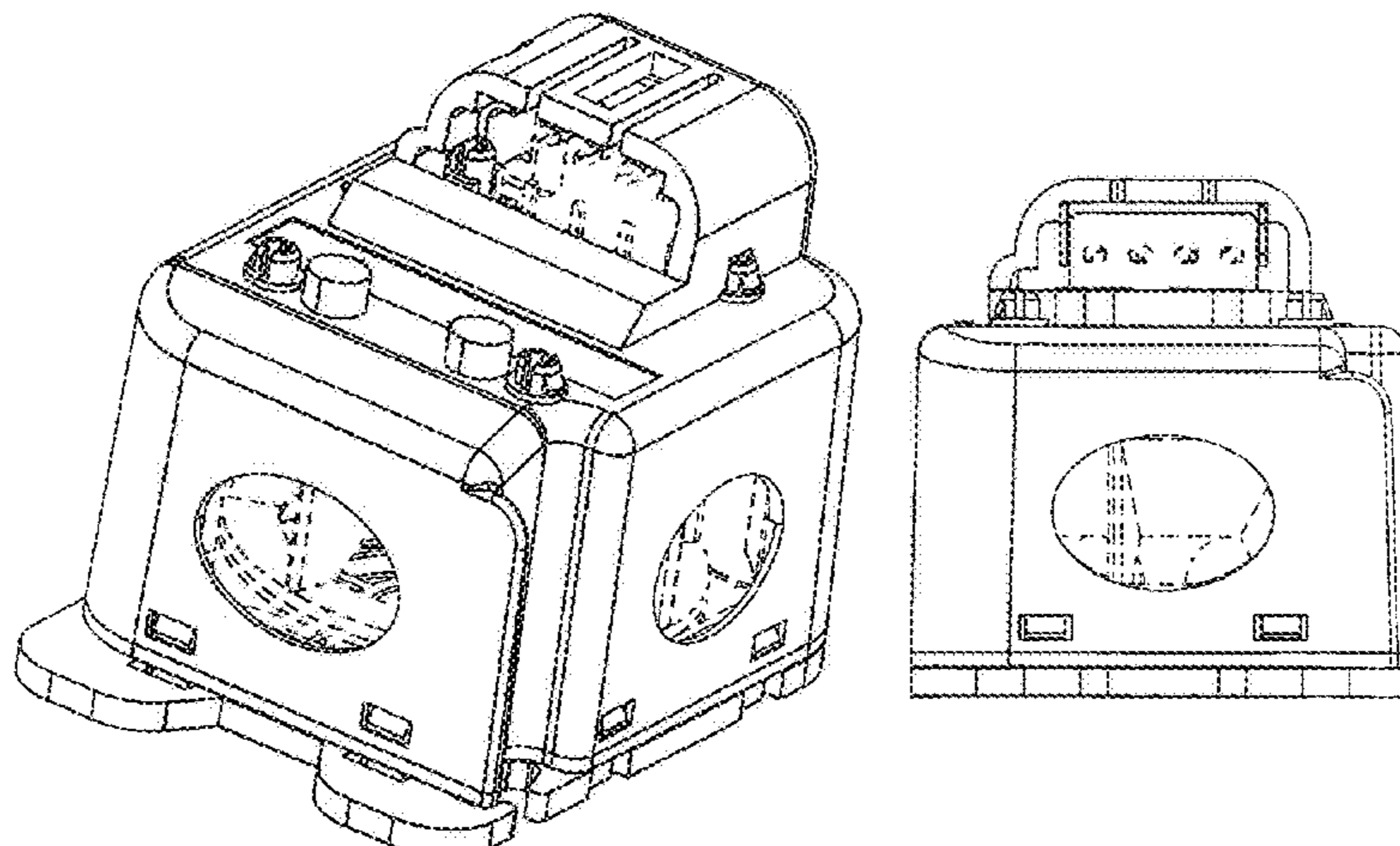


FIG. **33** is a left side view thereof;
FIG. **34** is a top view thereof; and
FIG. **35** is a bottom view thereof;
FIG. **36** is a perspective view of a sixth embodiment of the fan housing of our invention;
FIG. **37** is a front view thereof;
FIG. **38** is a rear view thereof;
FIG. **39** is a right side view thereof;

FIG. **40** is a left side view thereof;
FIG. **41** is a top view thereof; and,
FIG. **42** is a bottom view thereof.

The broken line showing of portions of the fan housing is included for the purpose of illustrating environmental structure and forms no part of the claimed design.

1 Claim, 42 Drawing Sheets

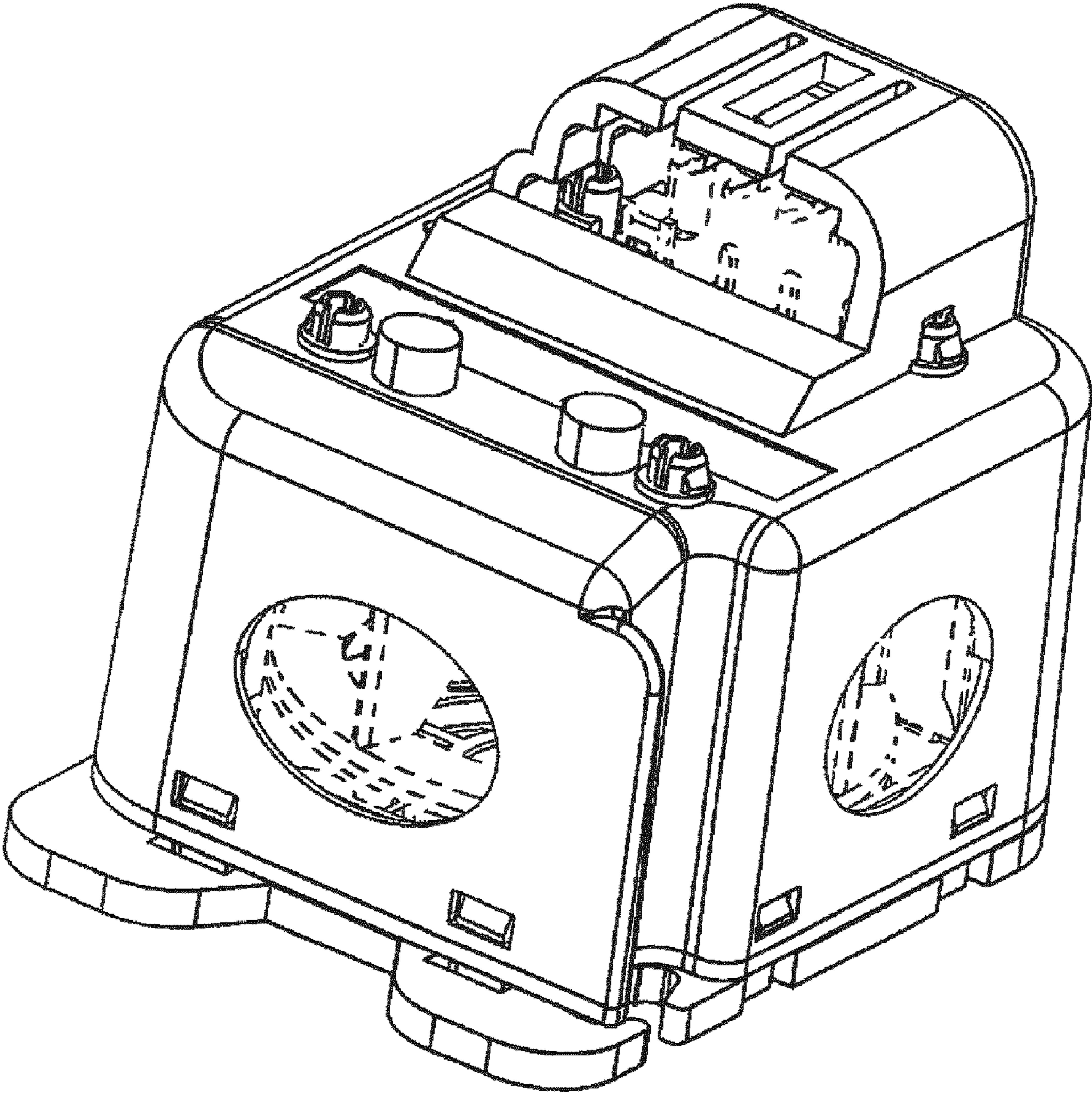


FIG. 1

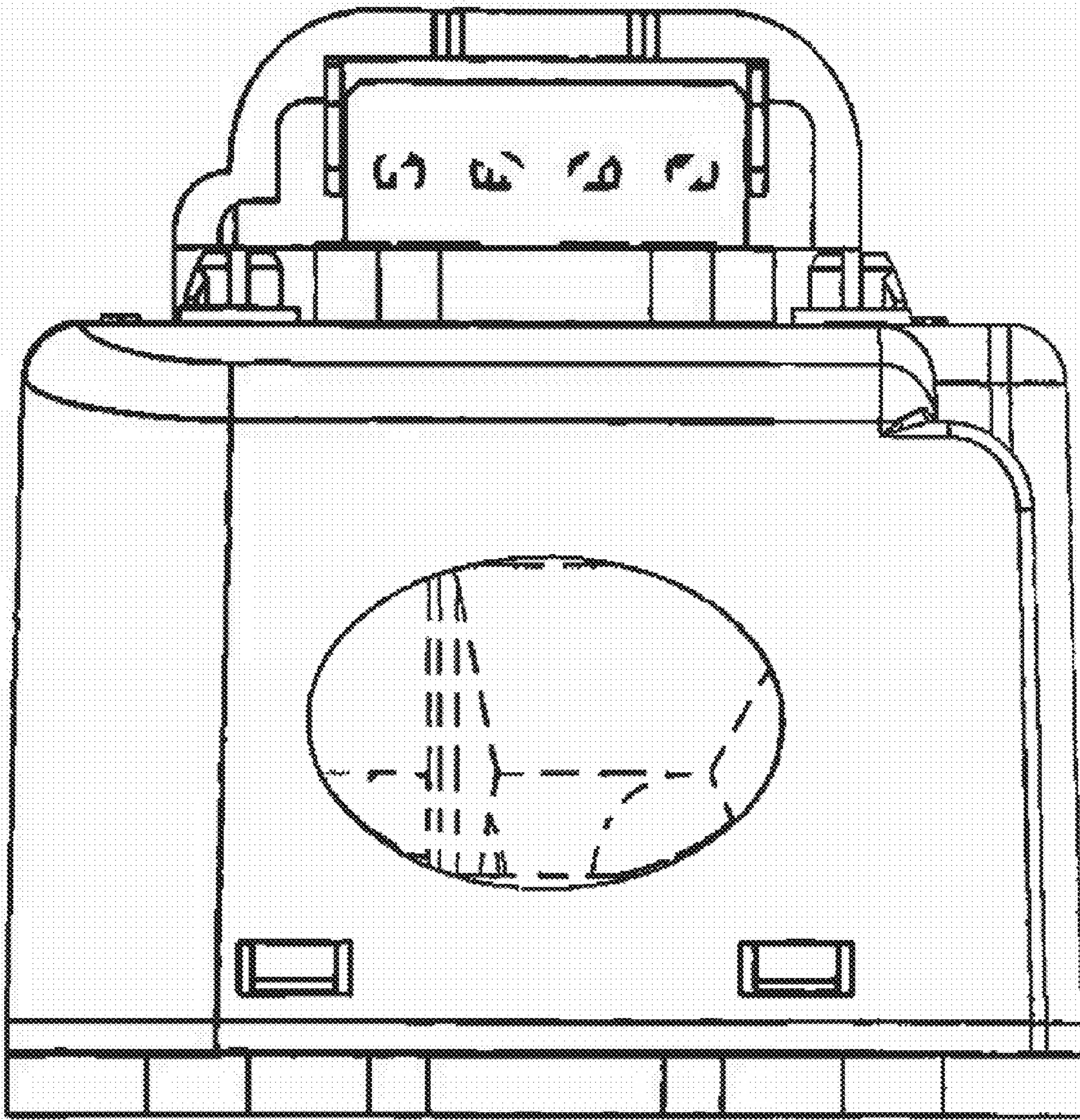


FIG. 2

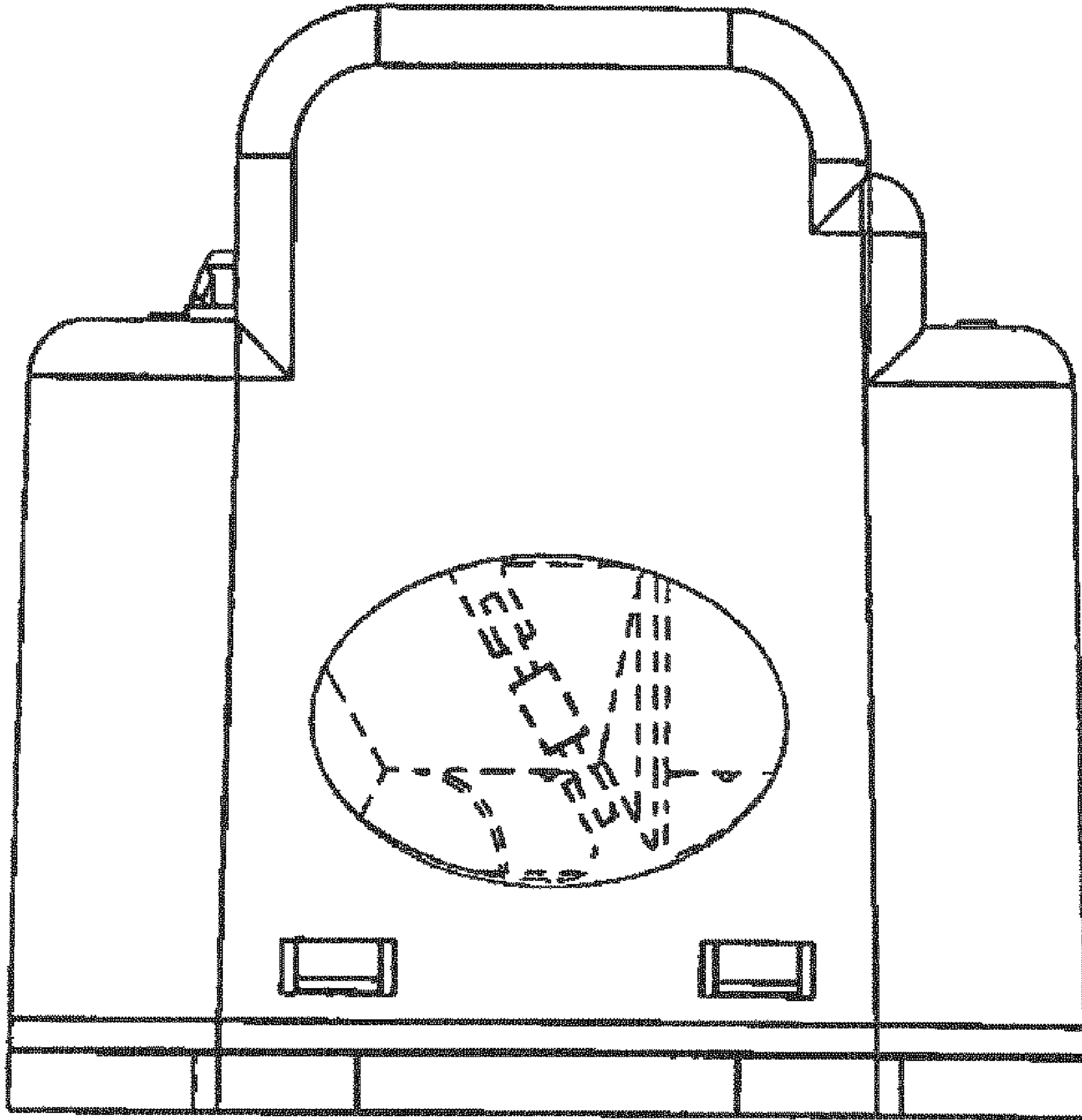


FIG. 3

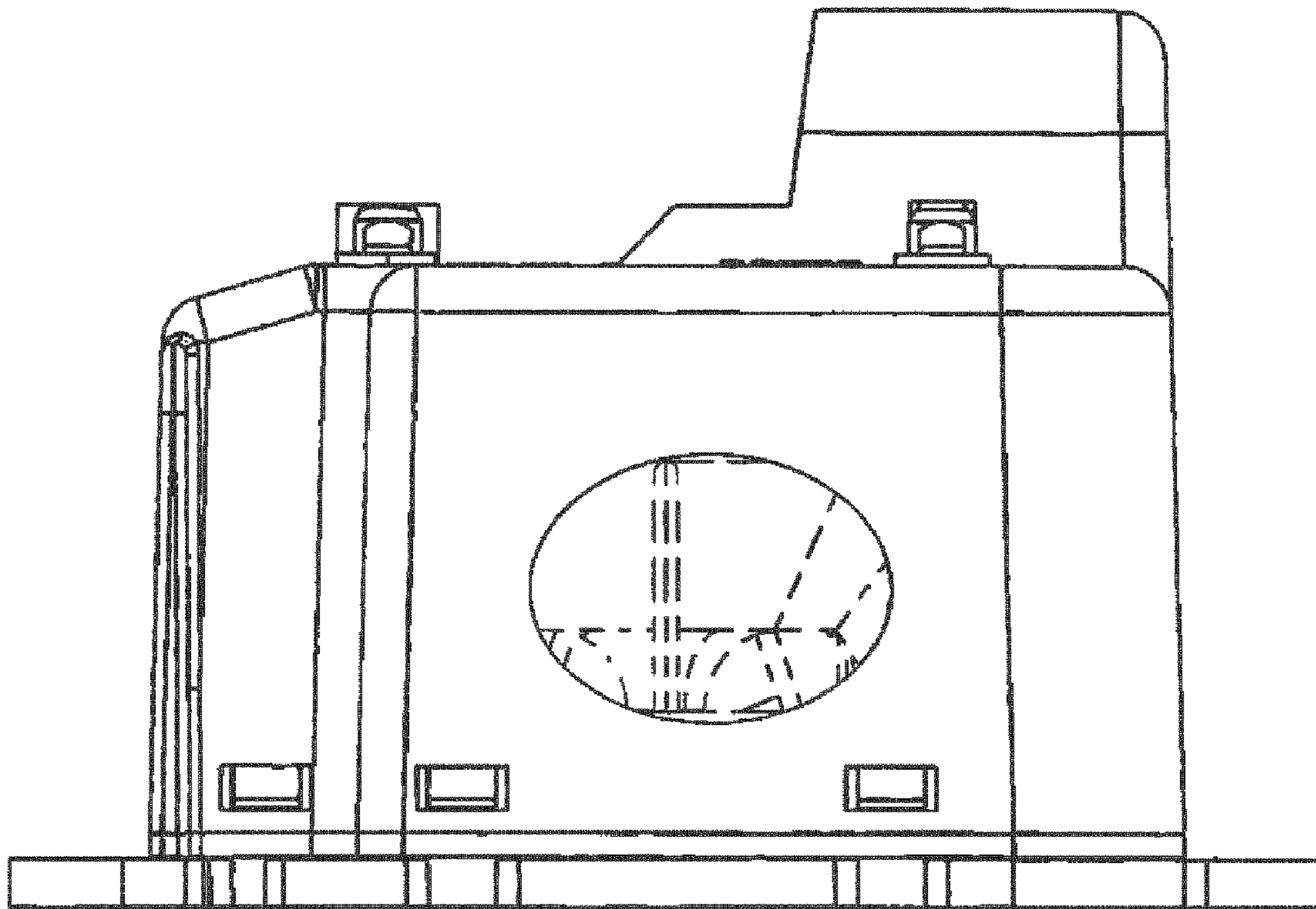


FIG. 4

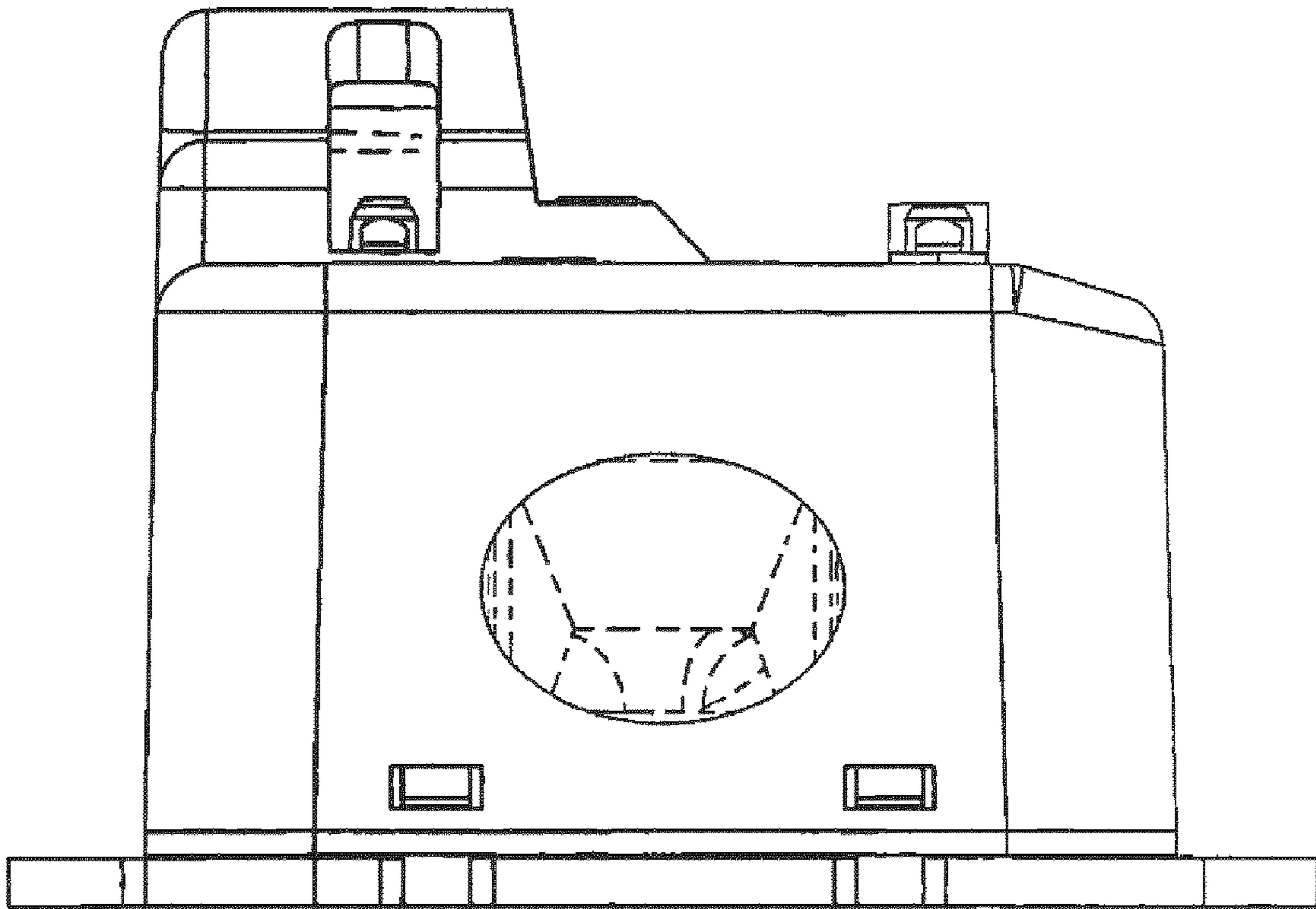


FIG. 5

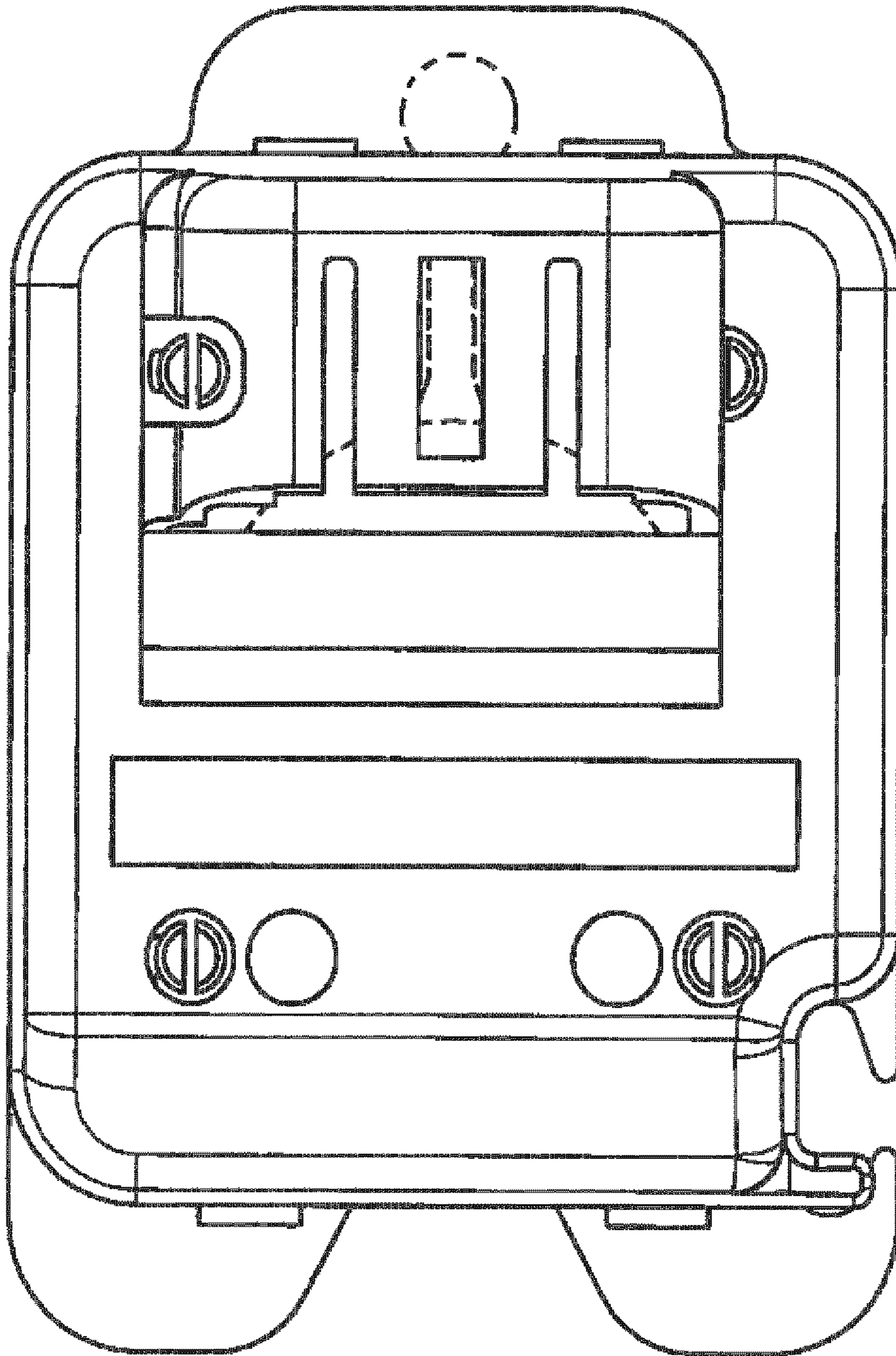


FIG. 6

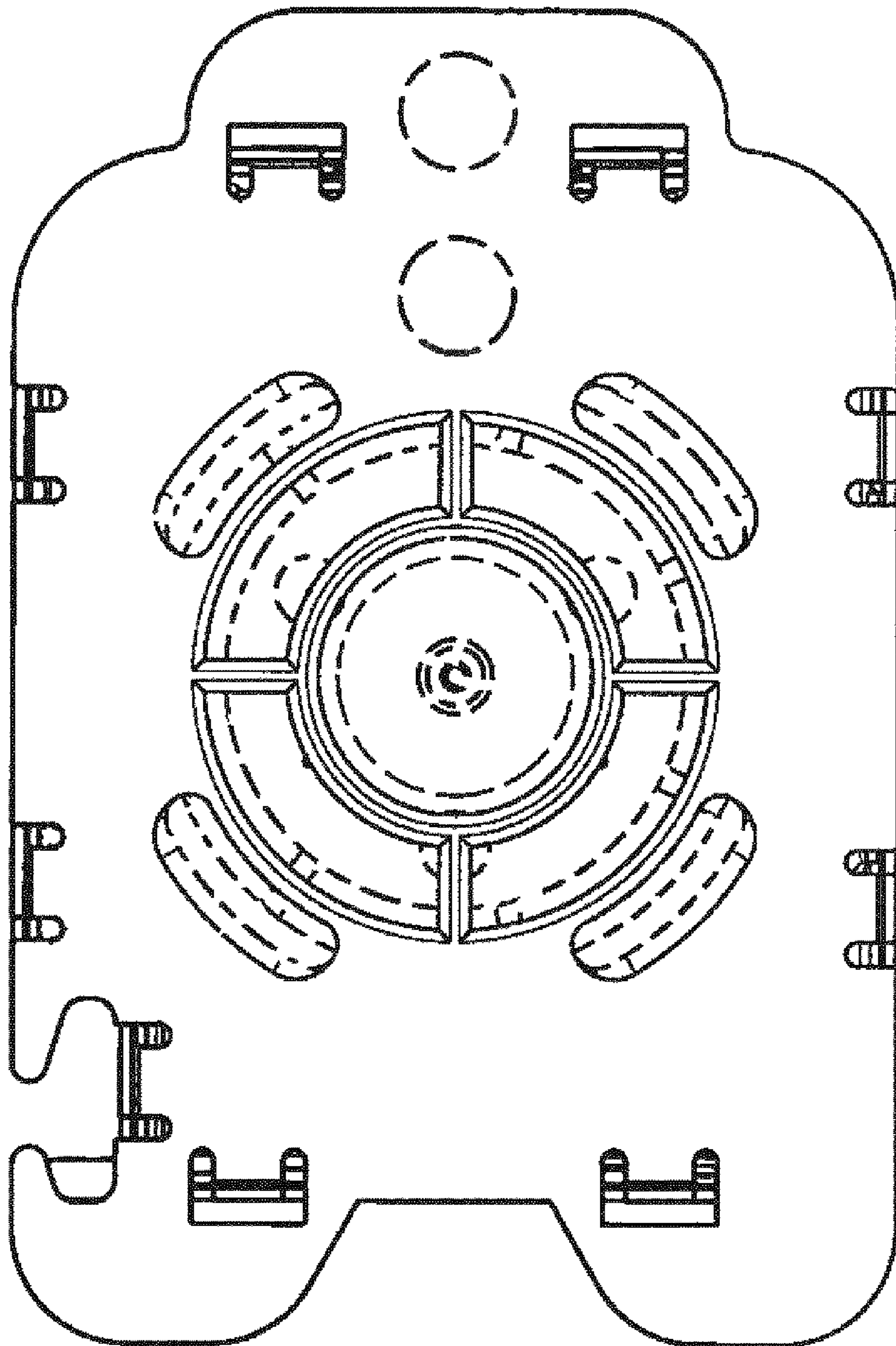


FIG. 7

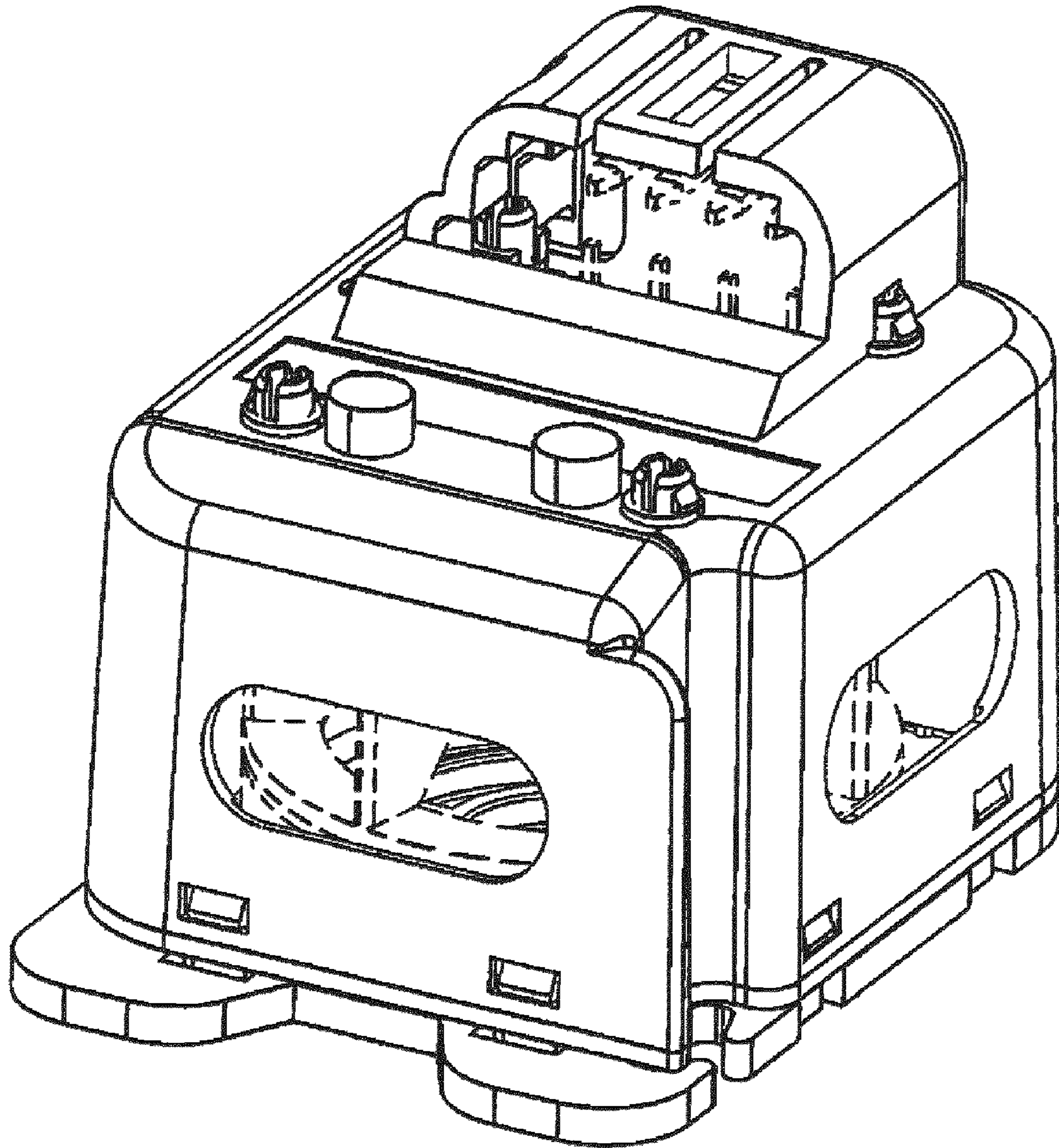


FIG. 8

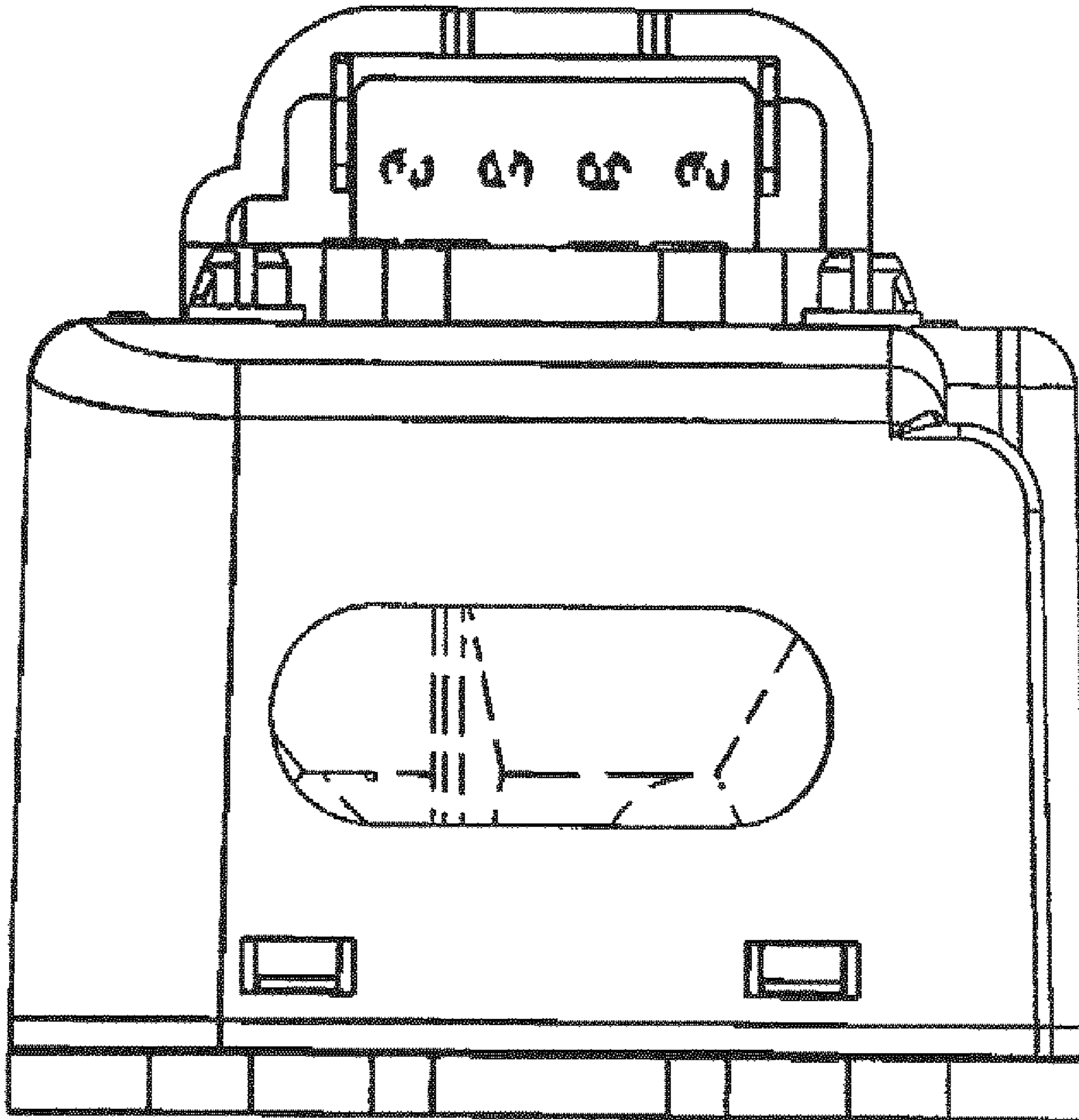


FIG. 9

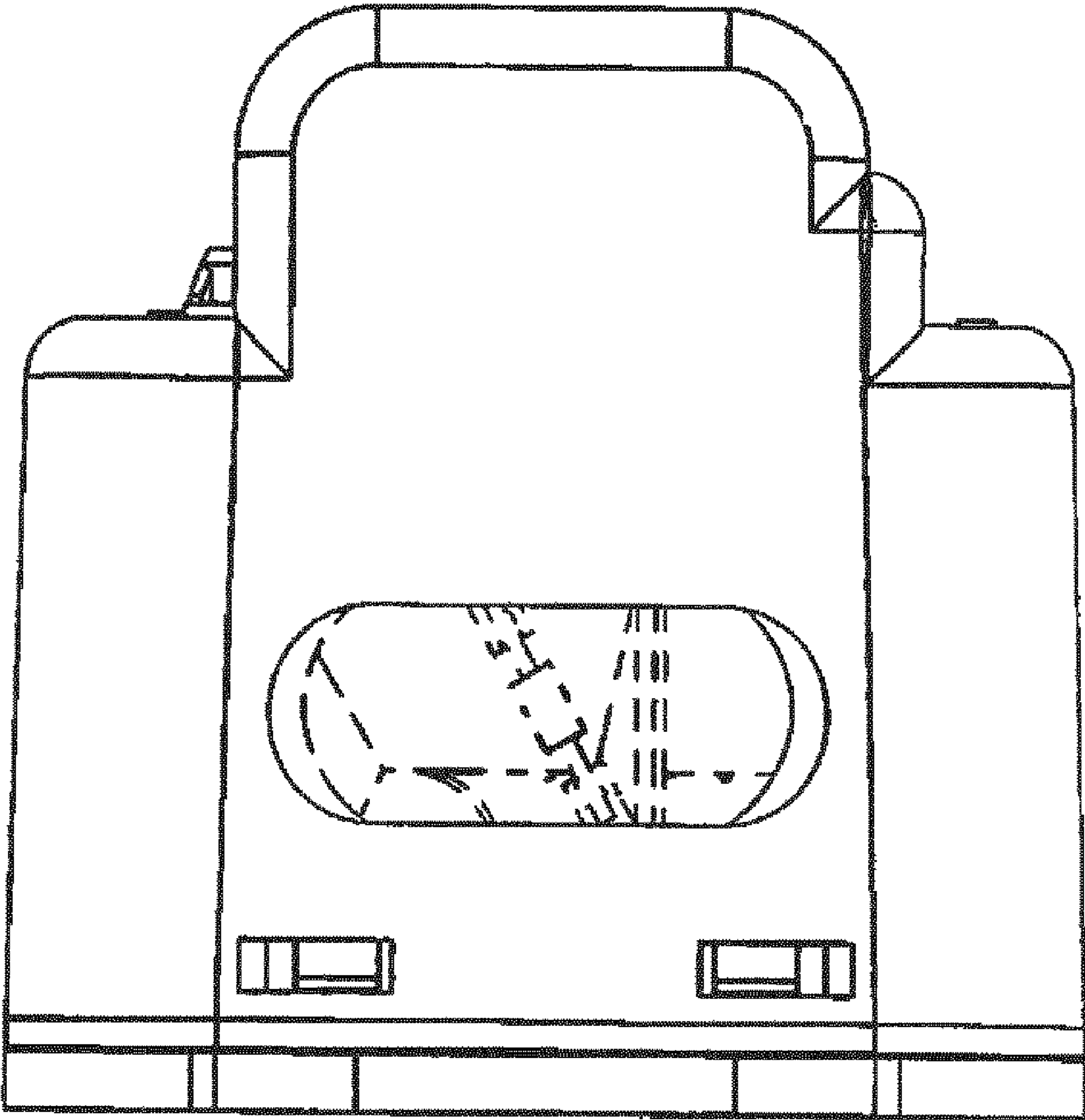


FIG. 10

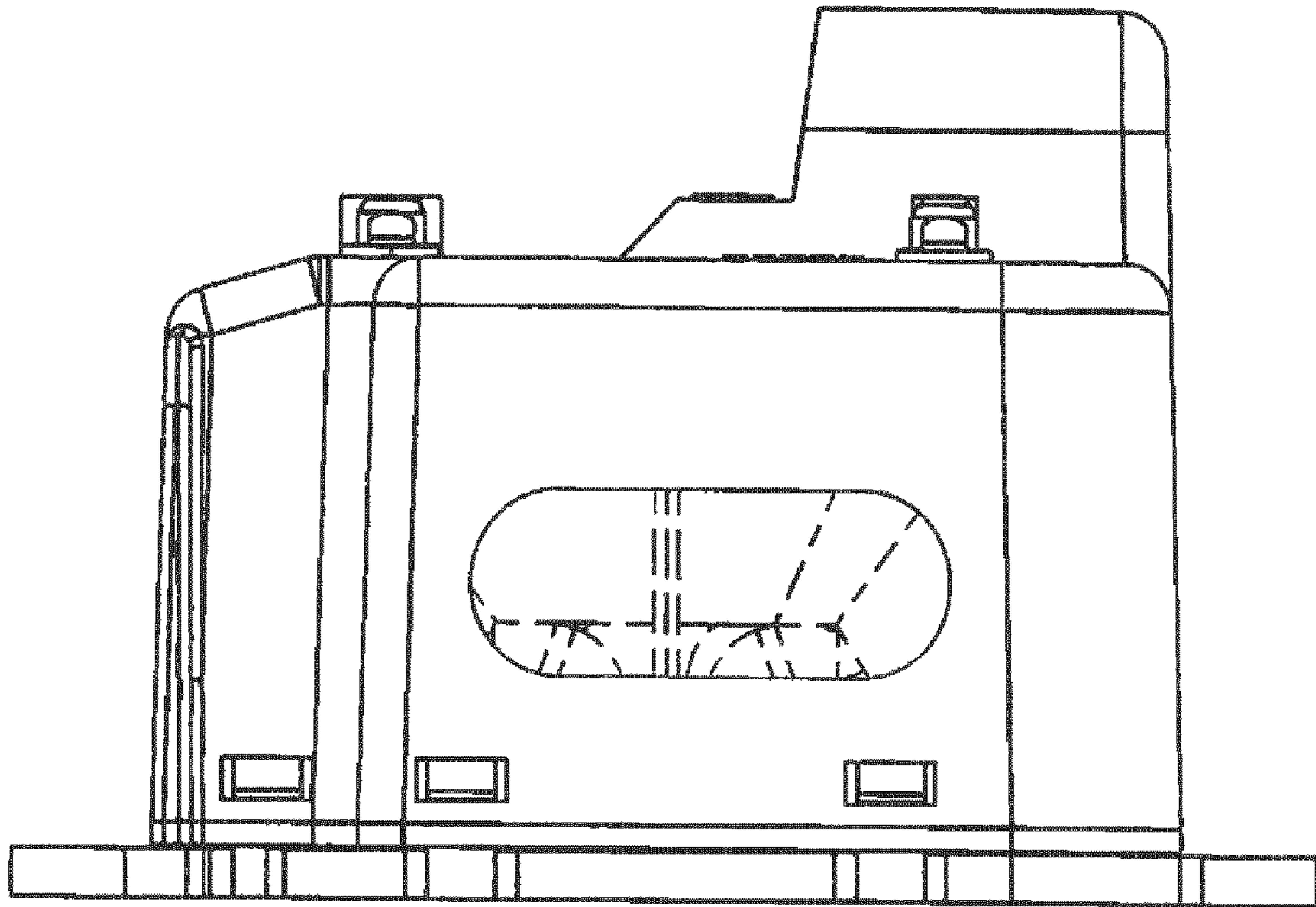


FIG. 11

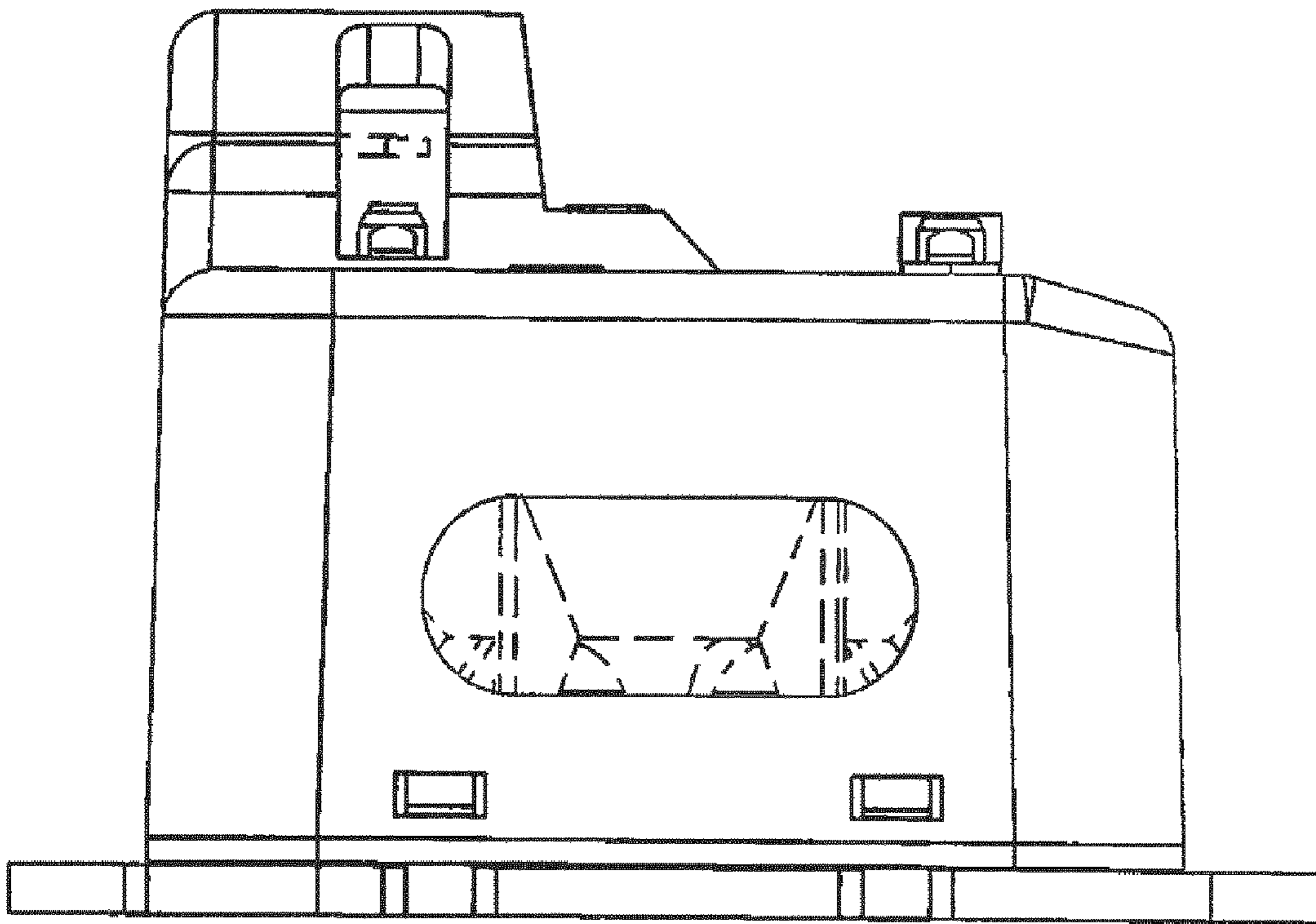


FIG. 12

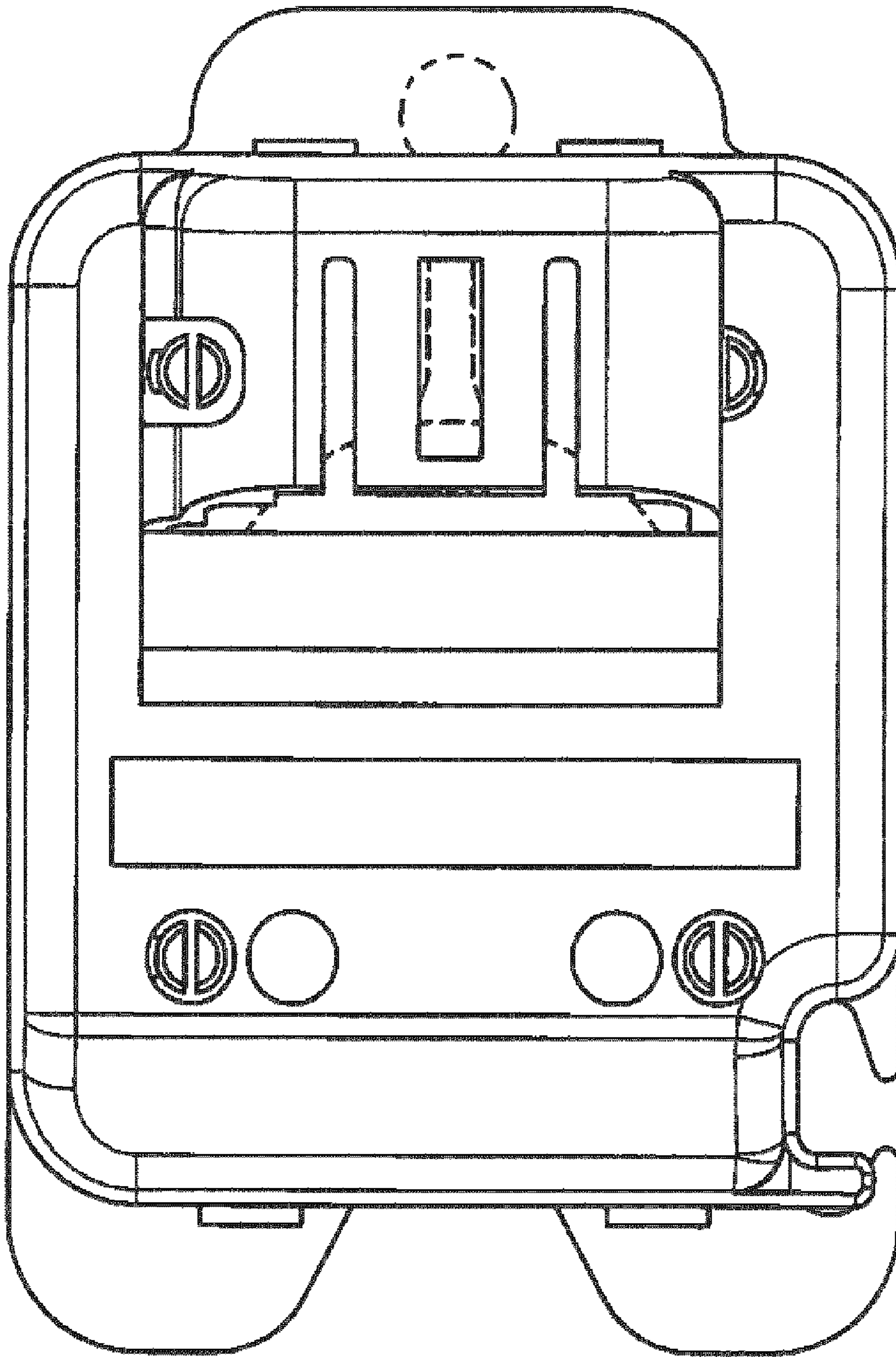


FIG. 13

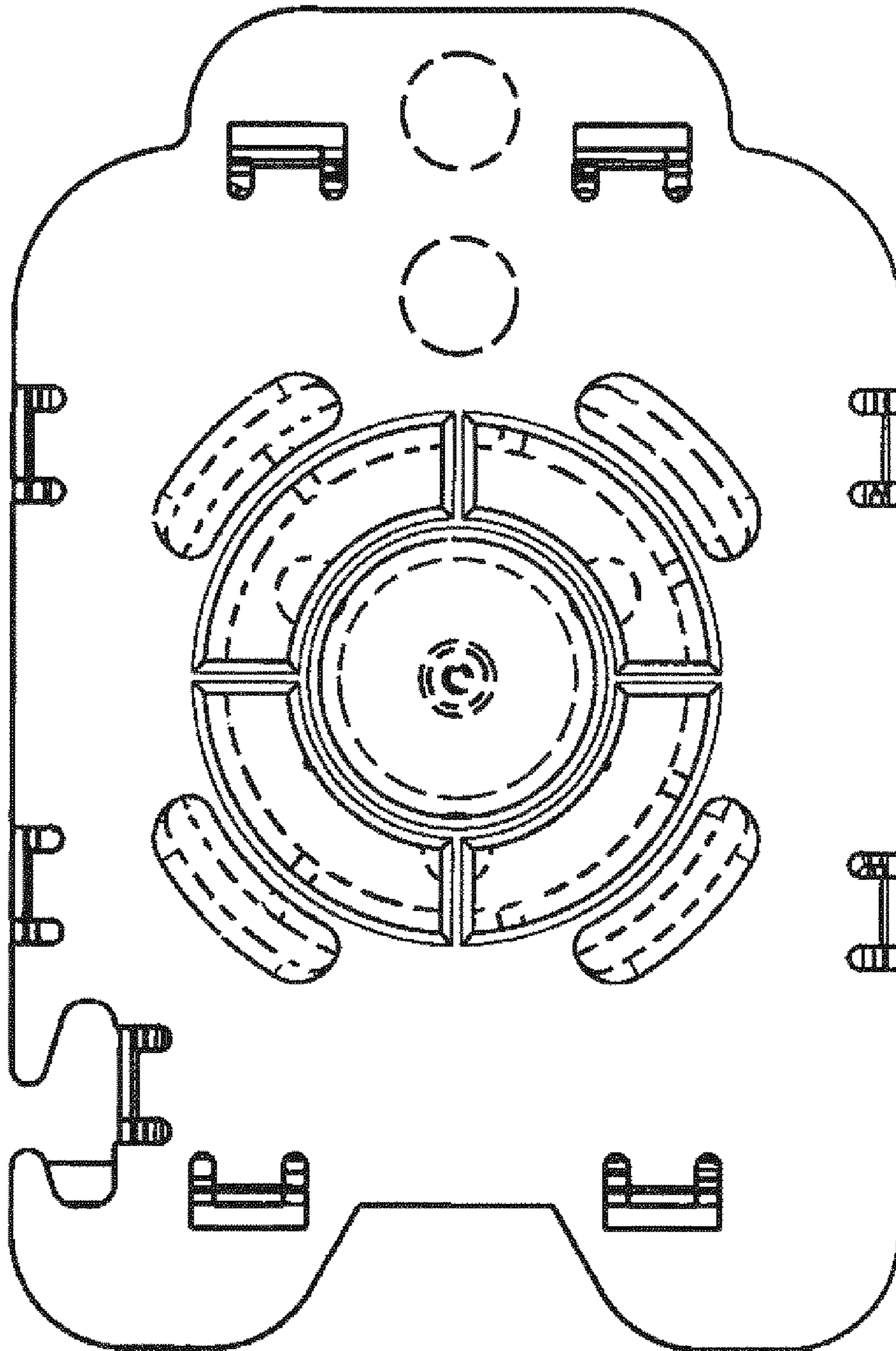


FIG. 14

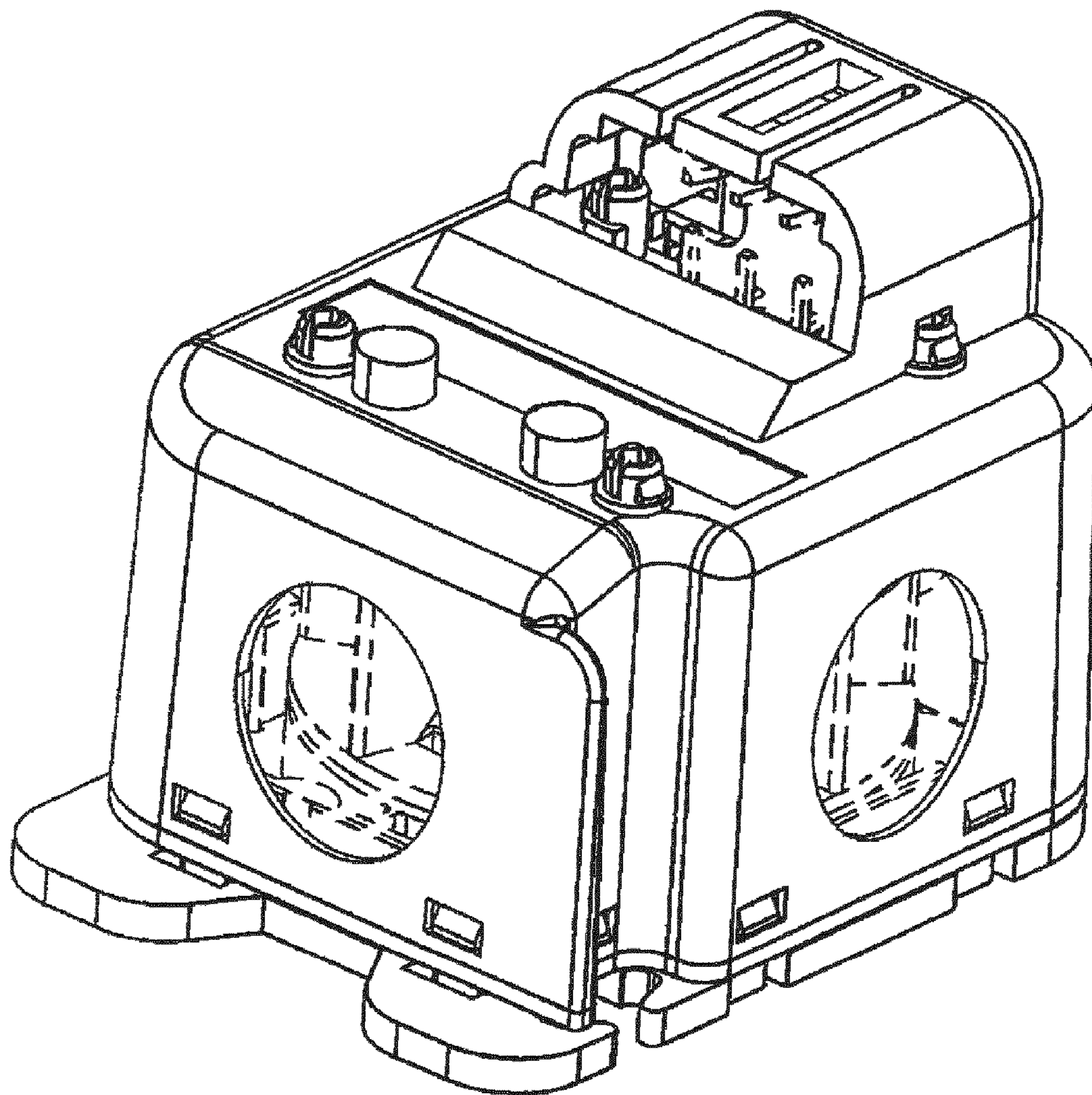


FIG. 15

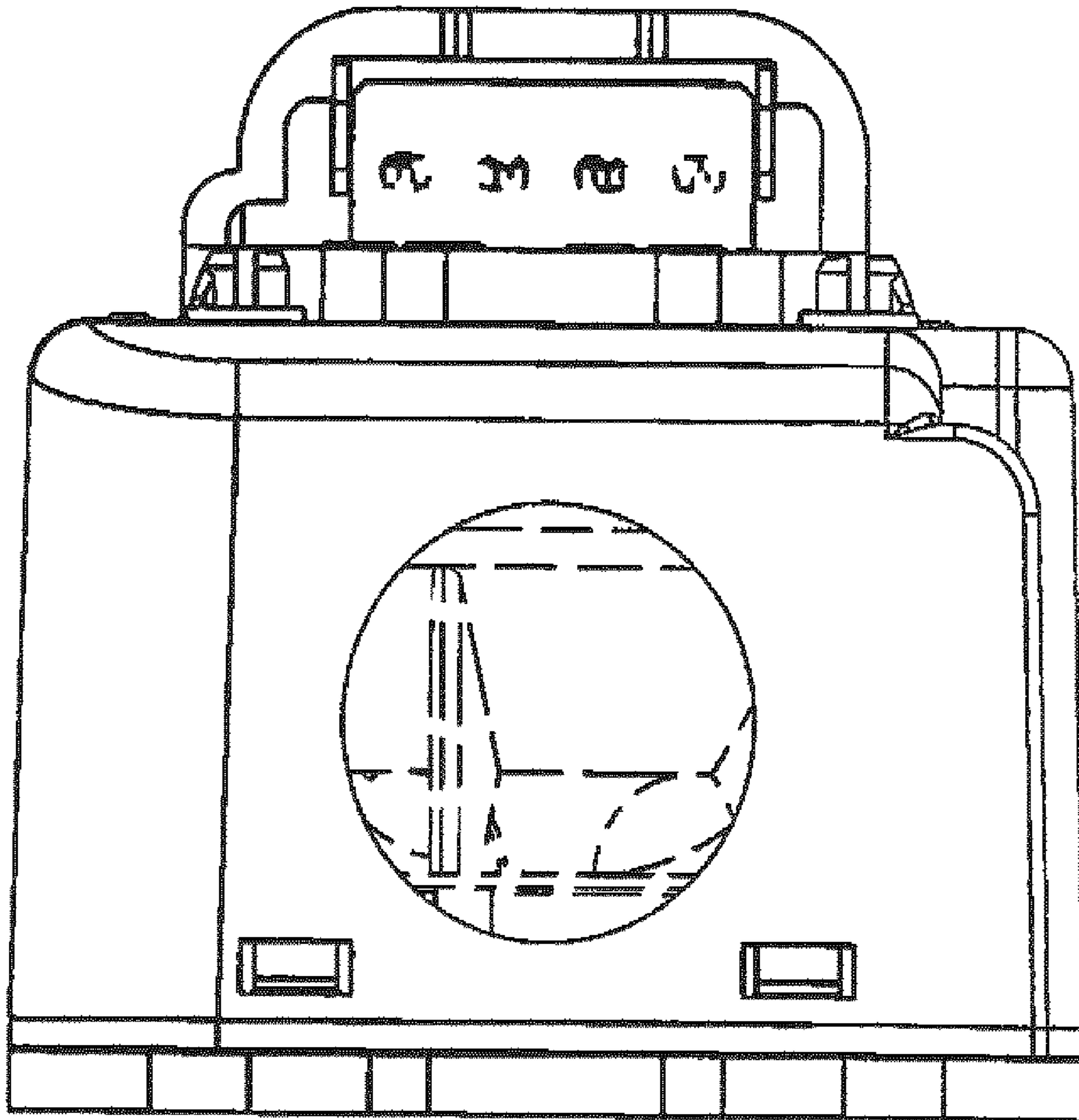


FIG. 16

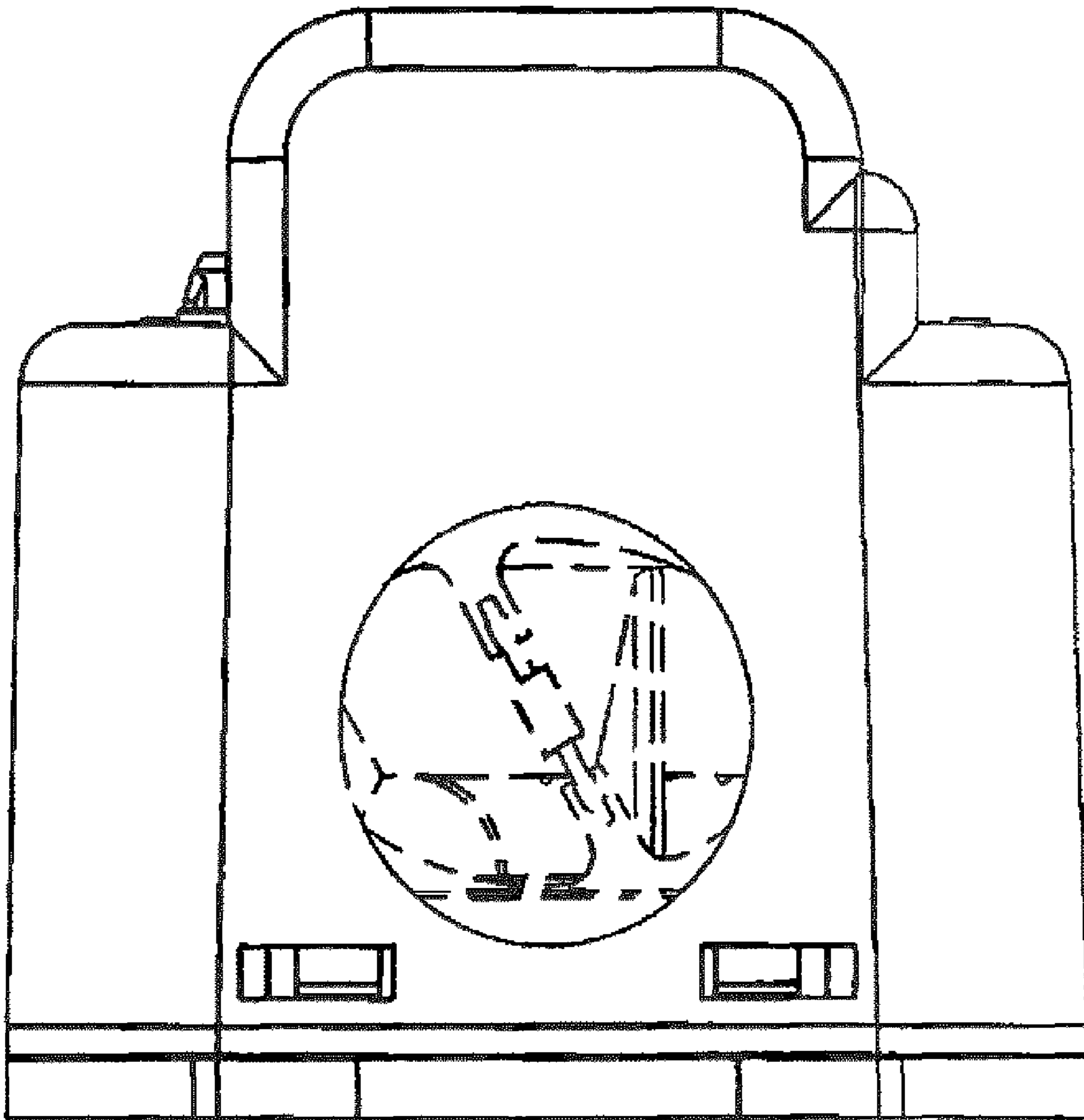


FIG. 17

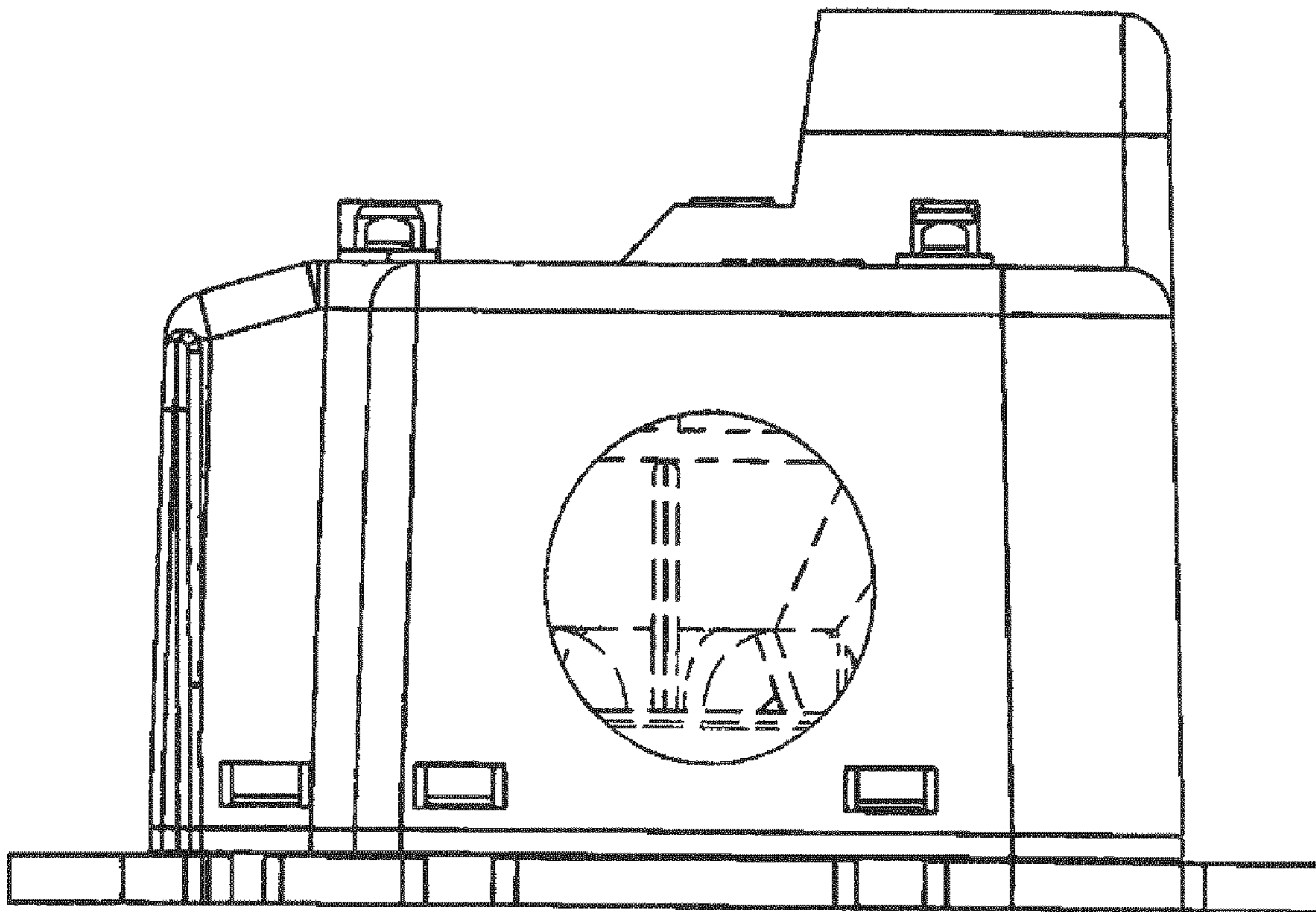


FIG. 18

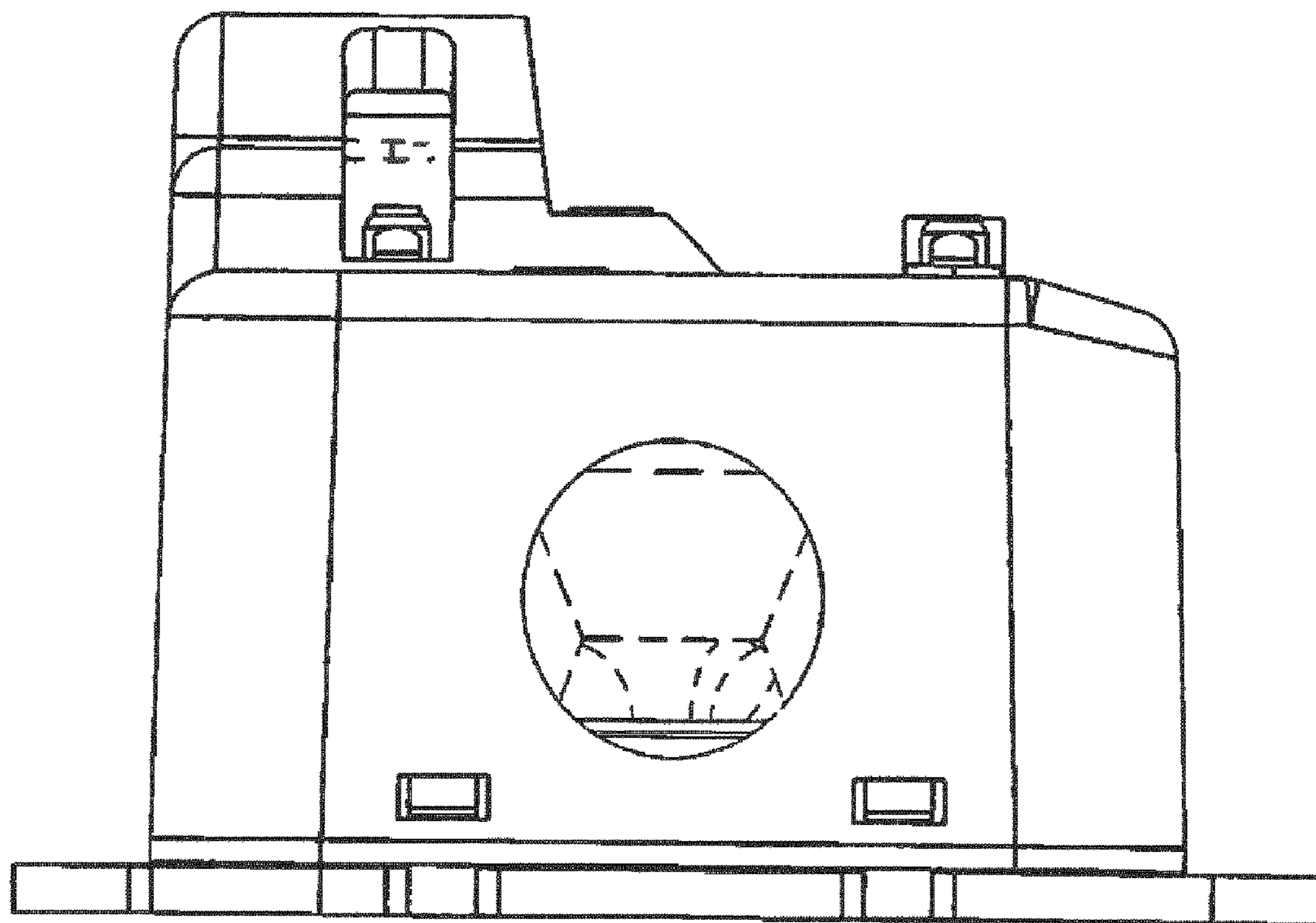


FIG. 19

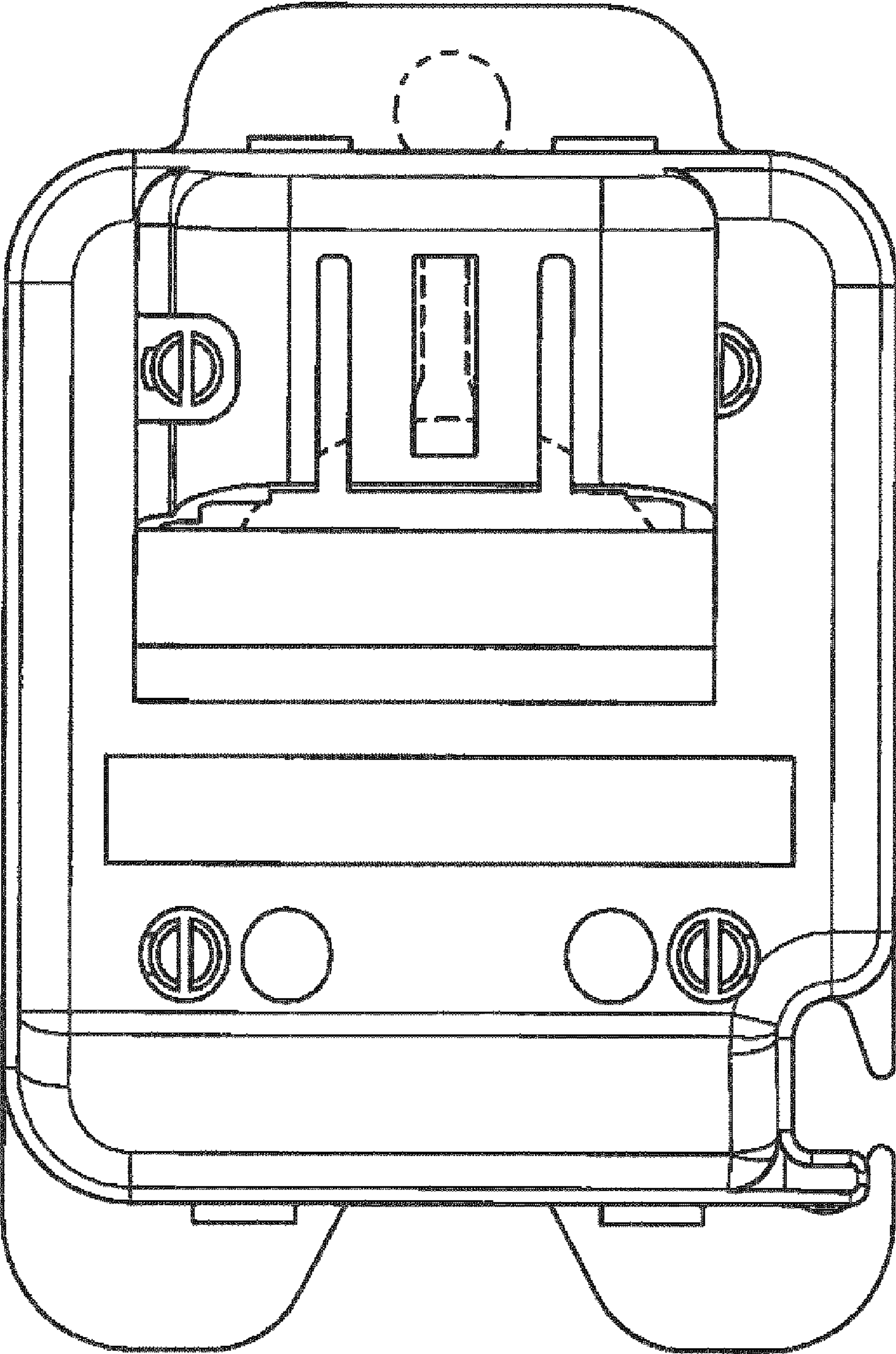


FIG. 20

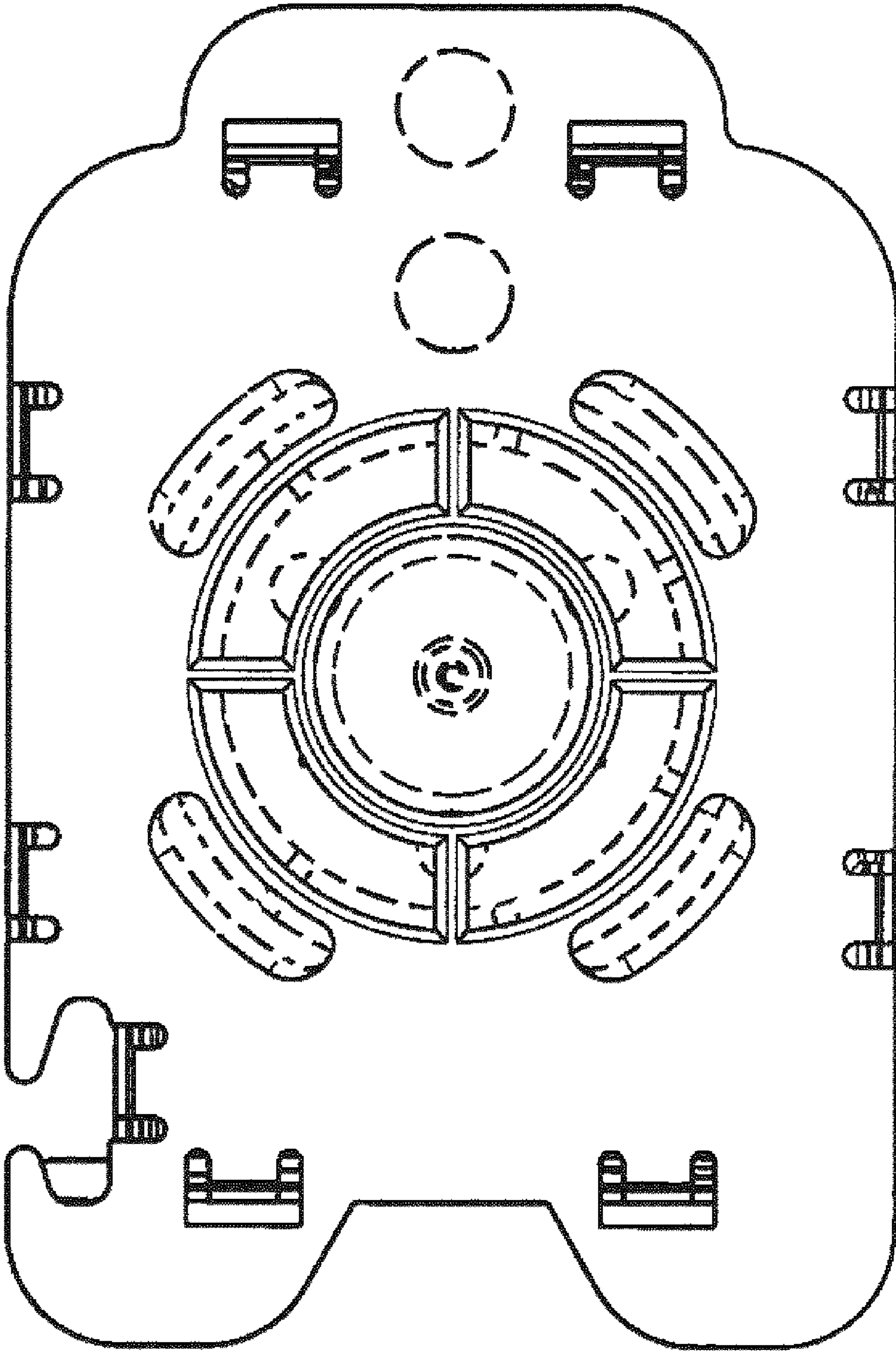


FIG. 21

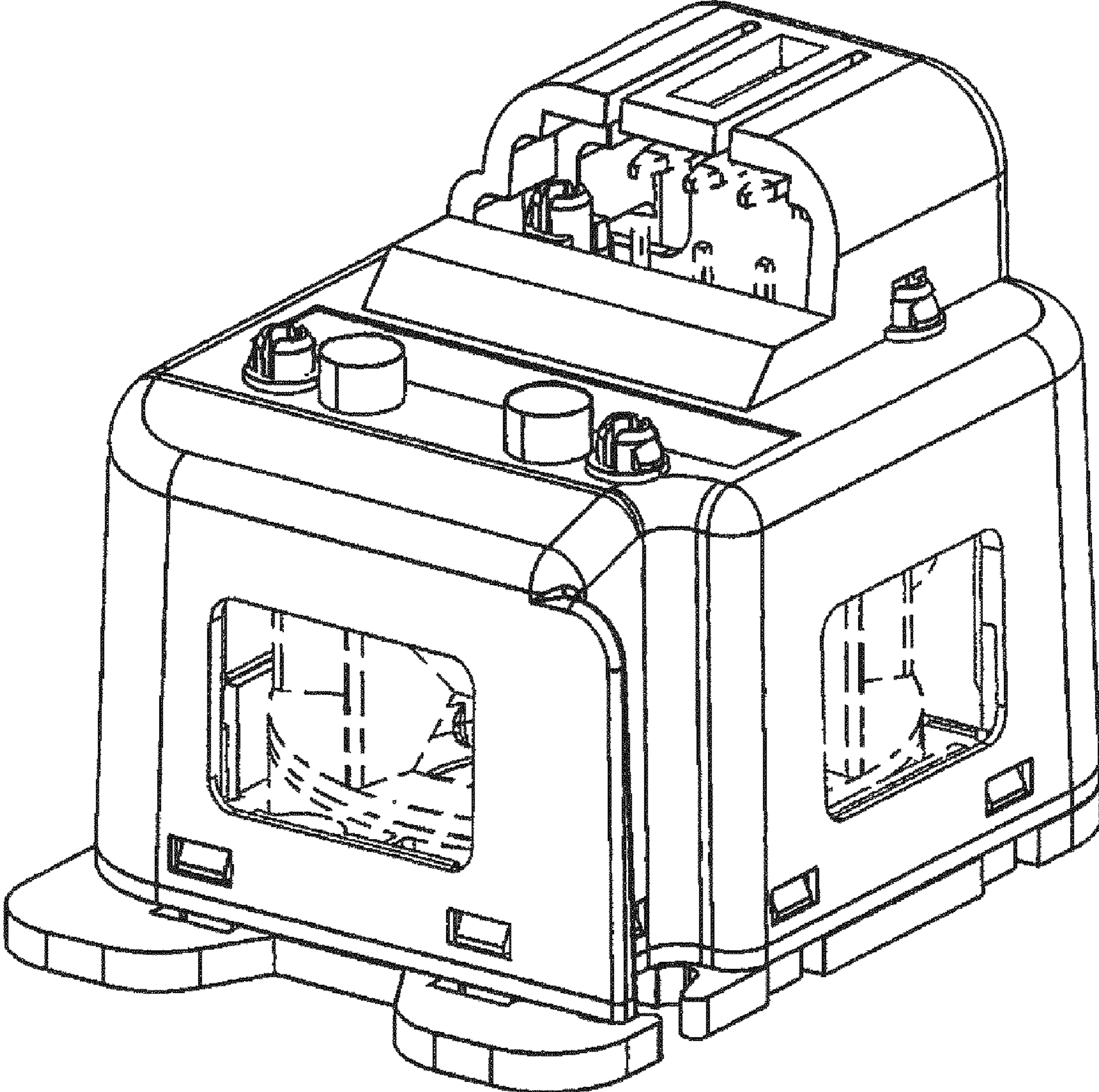


FIG. 22

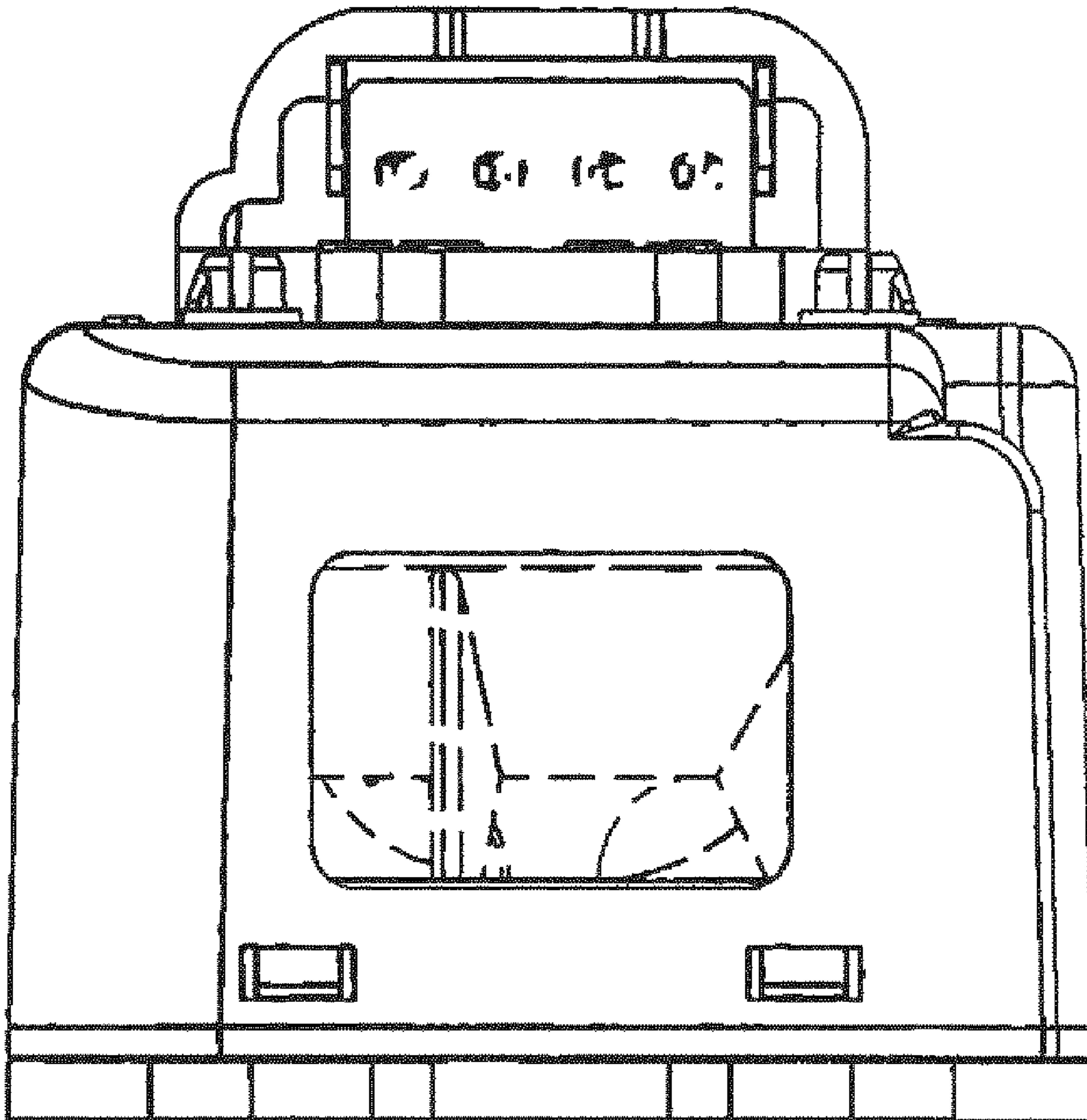


FIG. 23

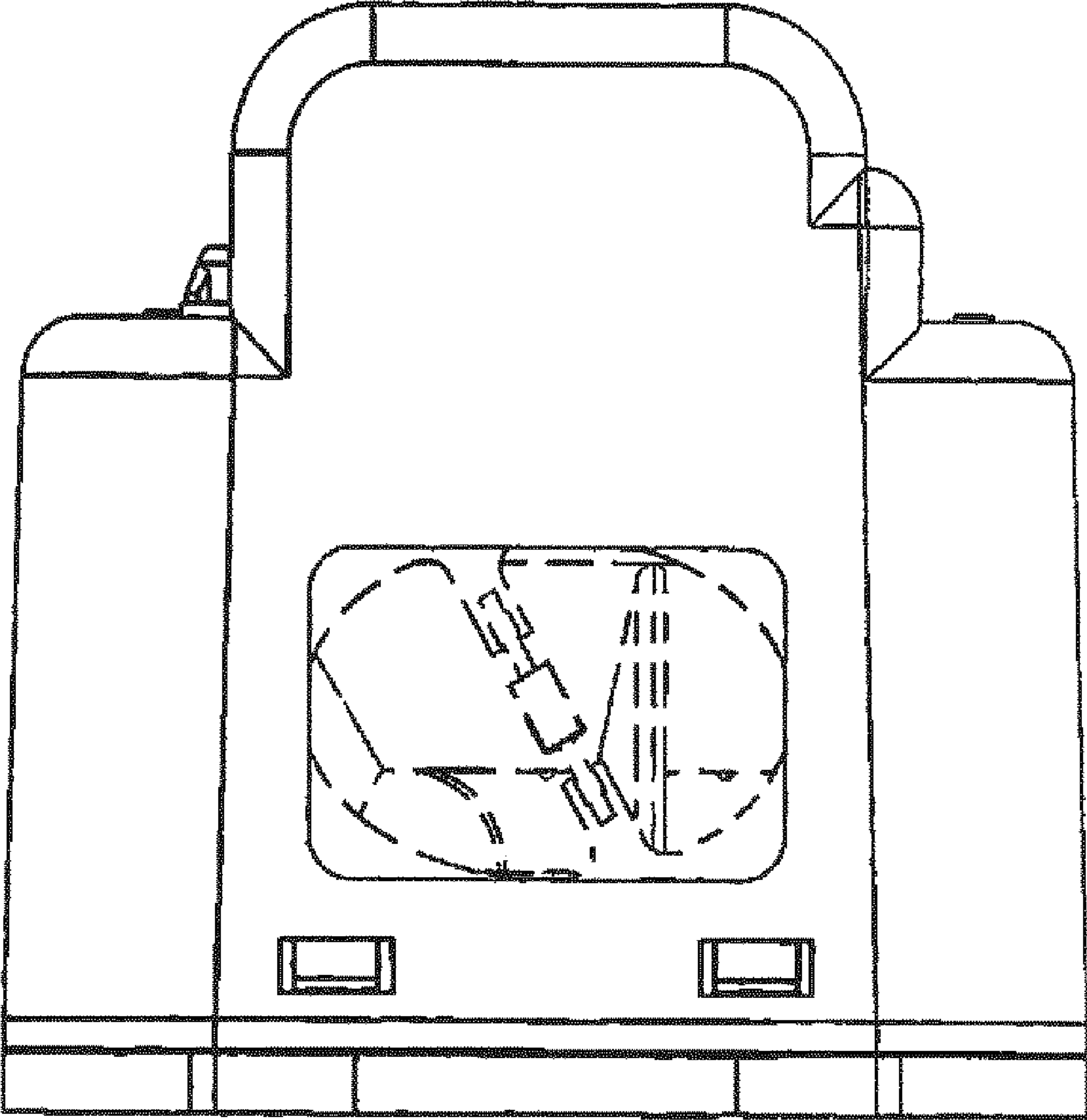


FIG. 24

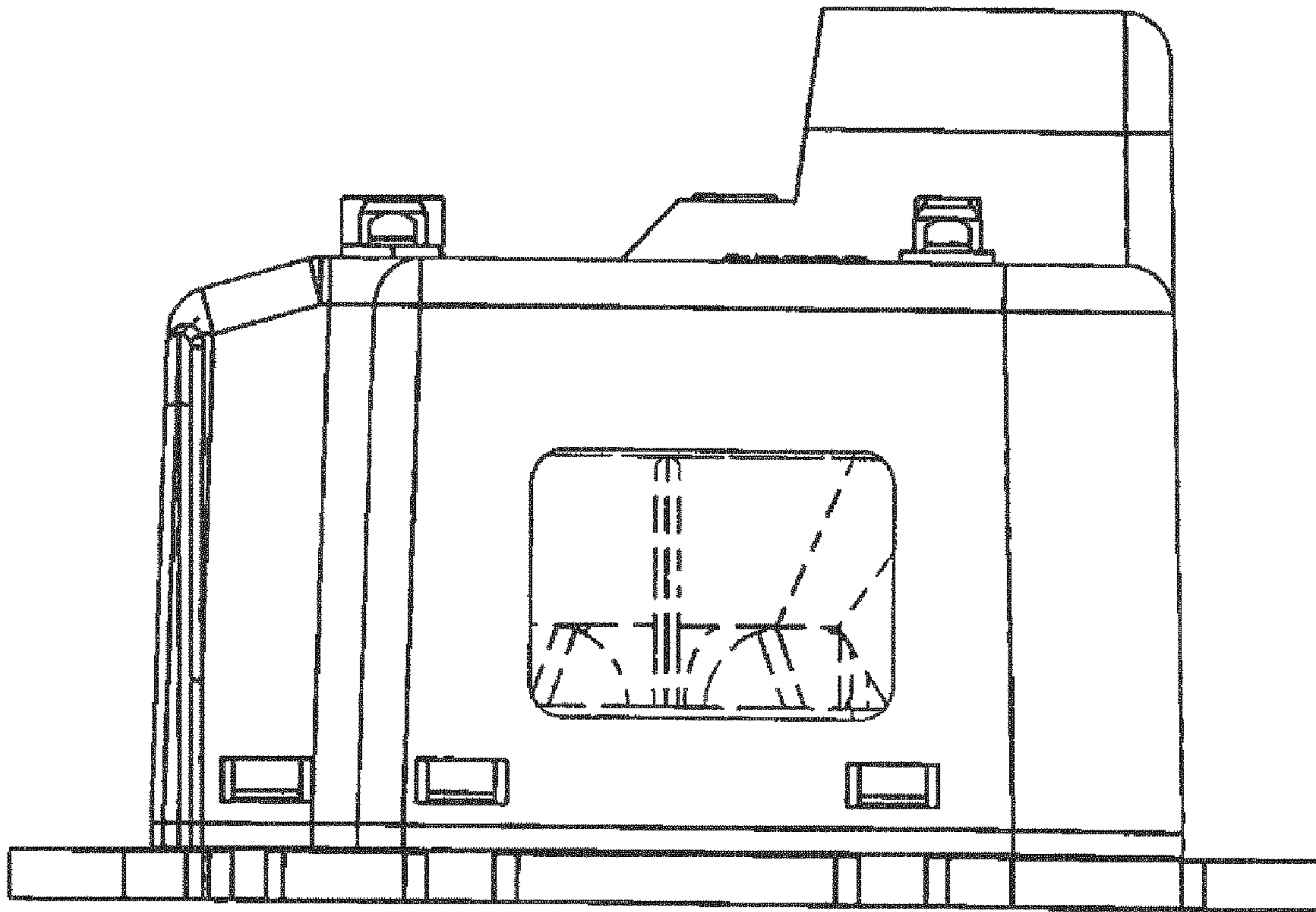


FIG. 25

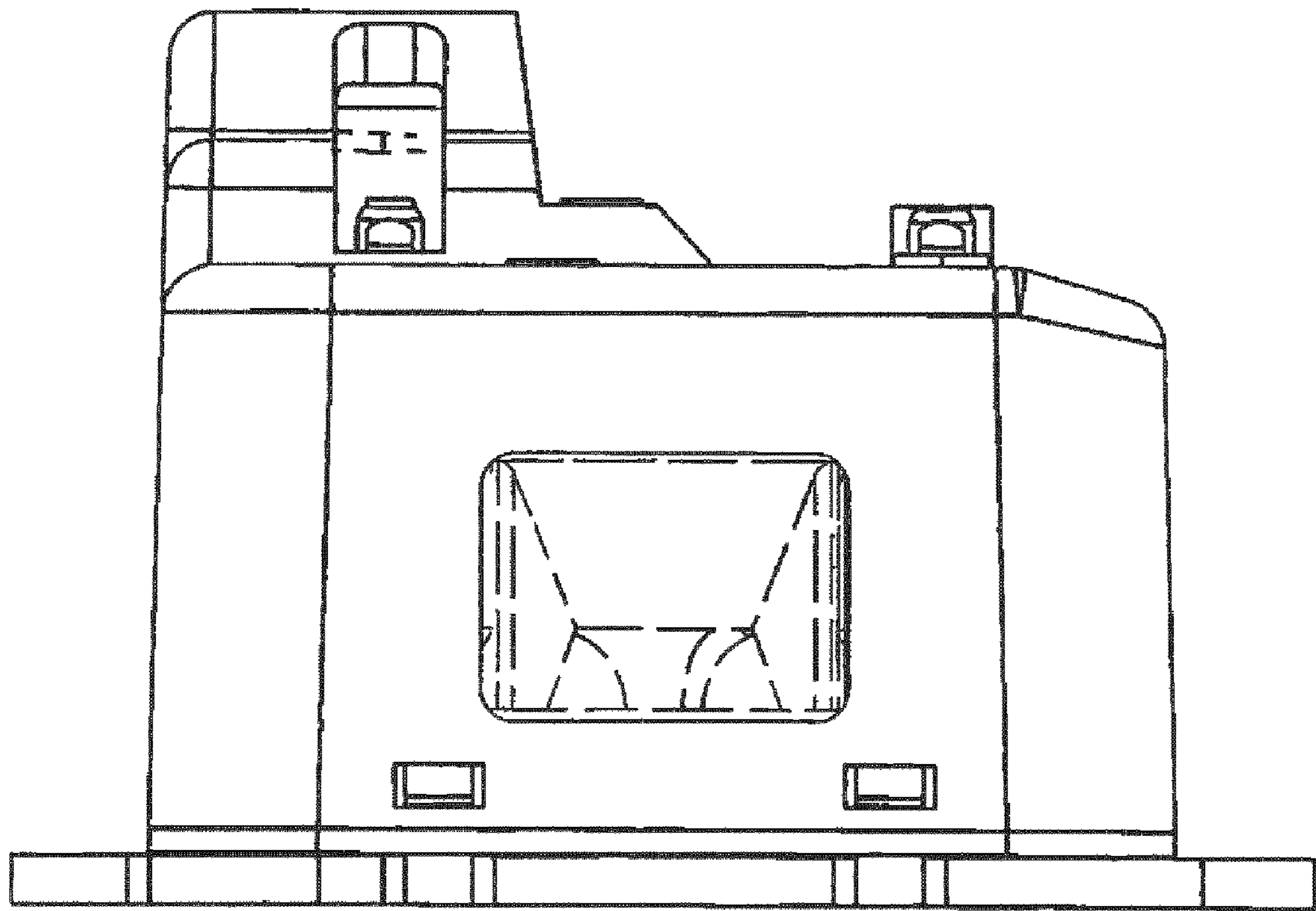


FIG. 26

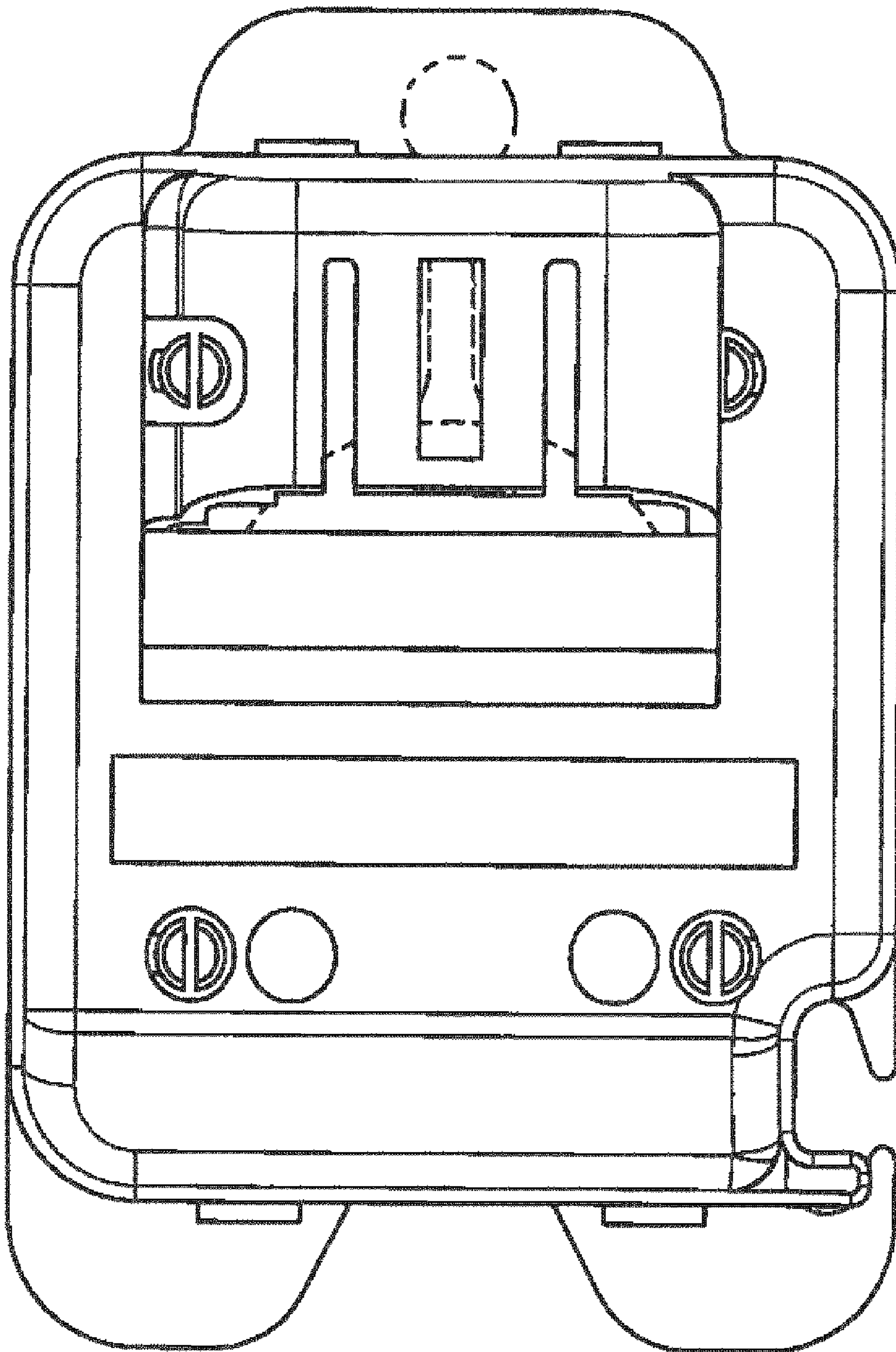


FIG. 27

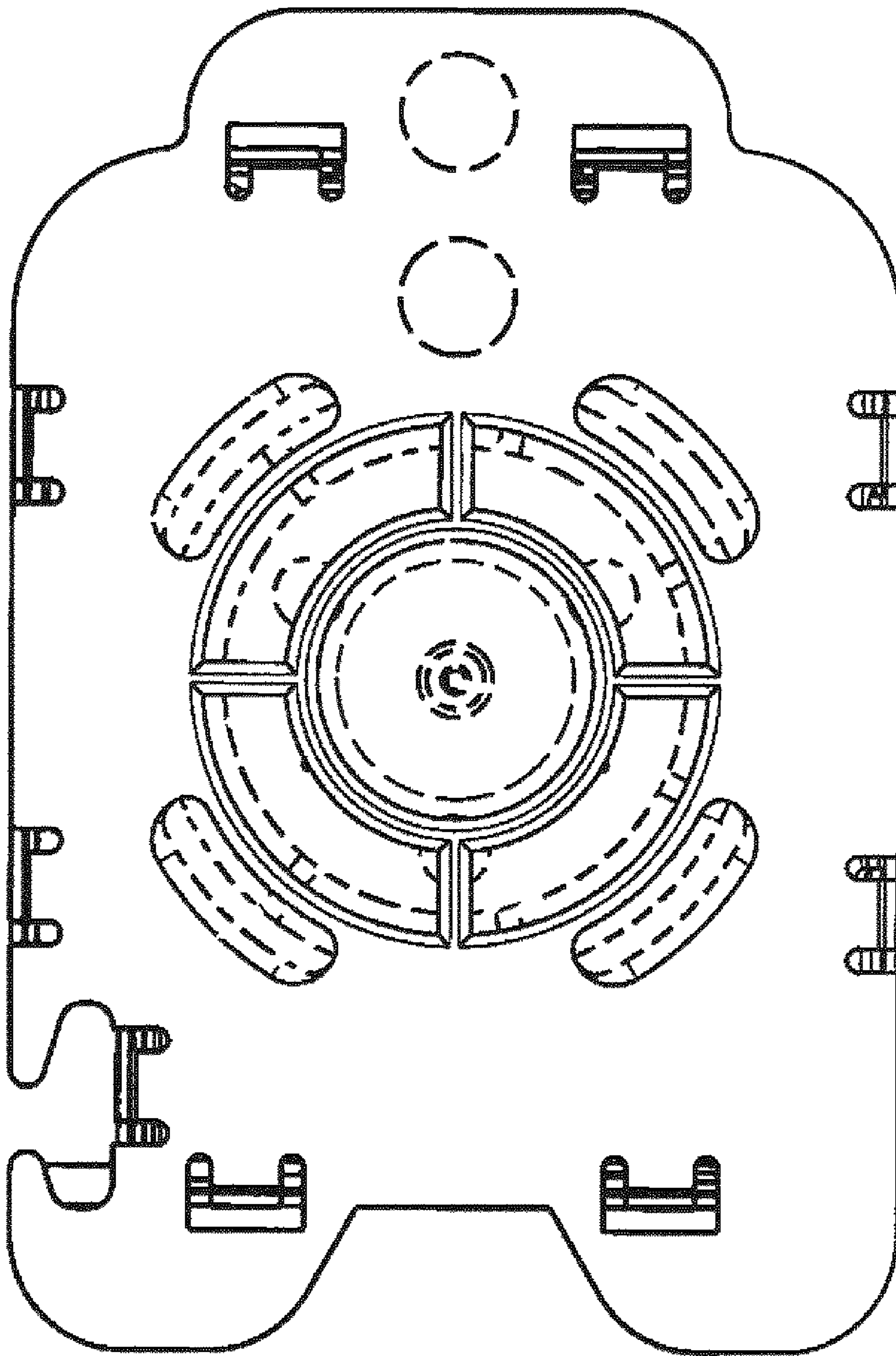


FIG. 28

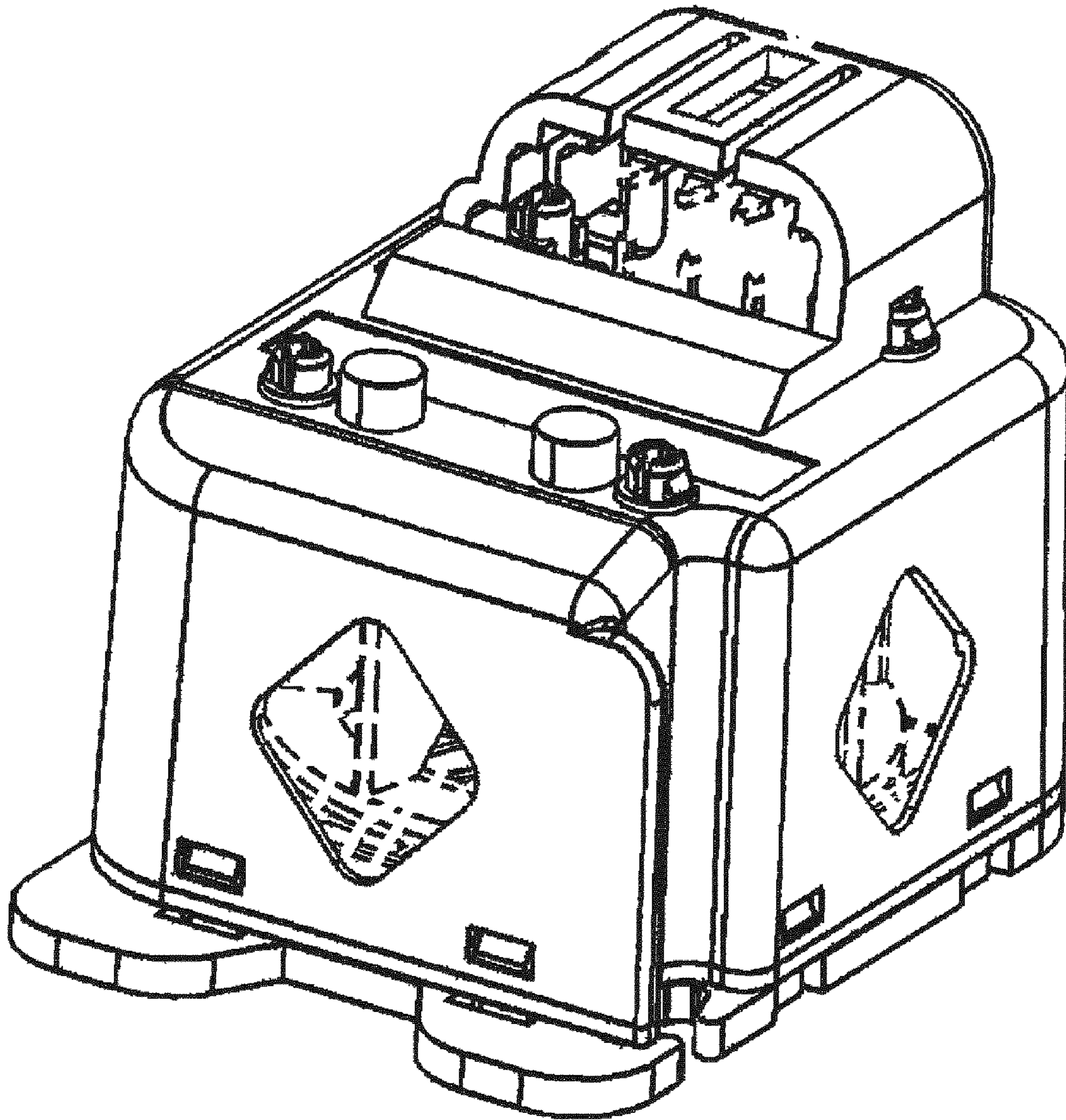


FIG. 29

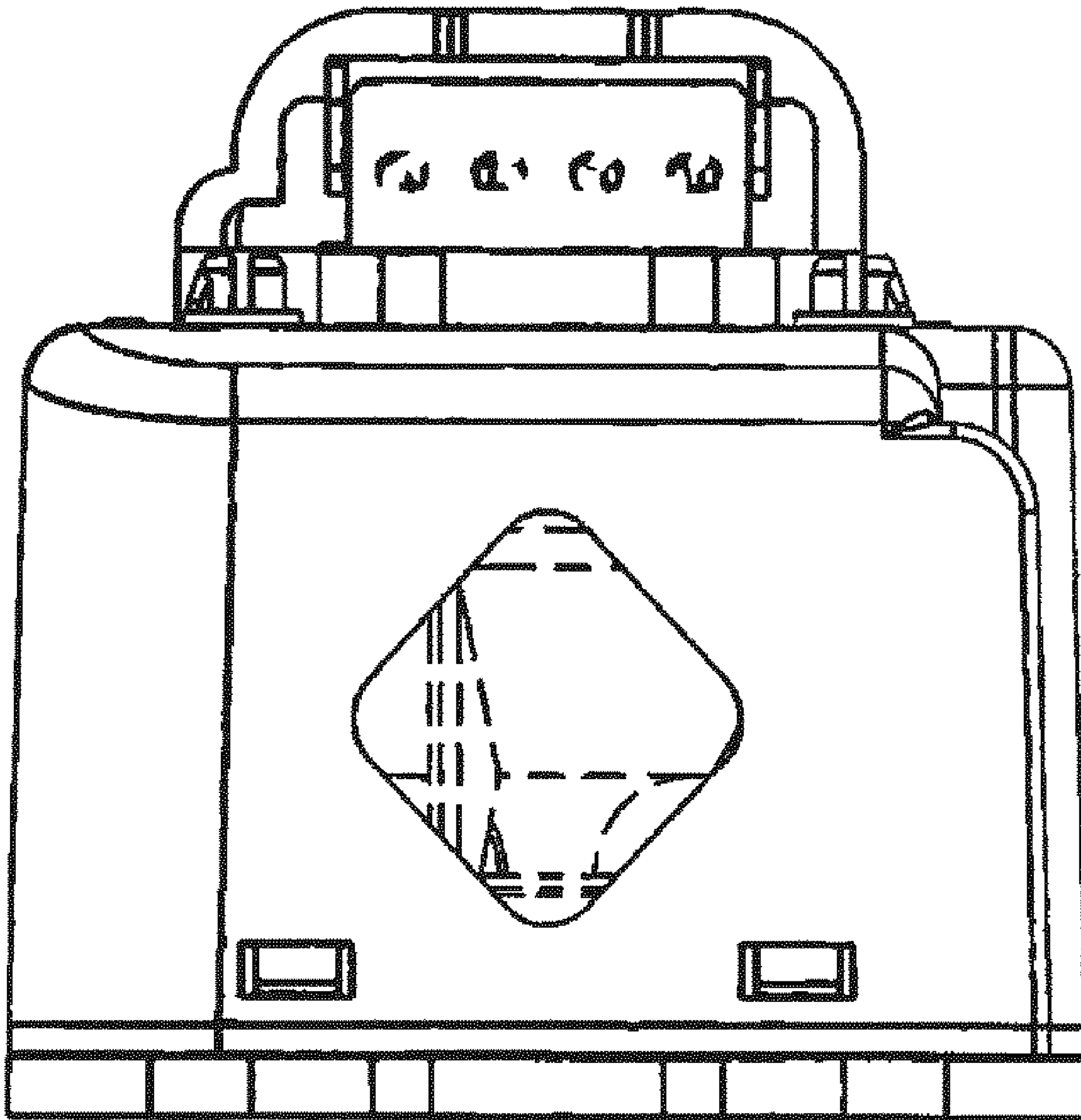


FIG. 30

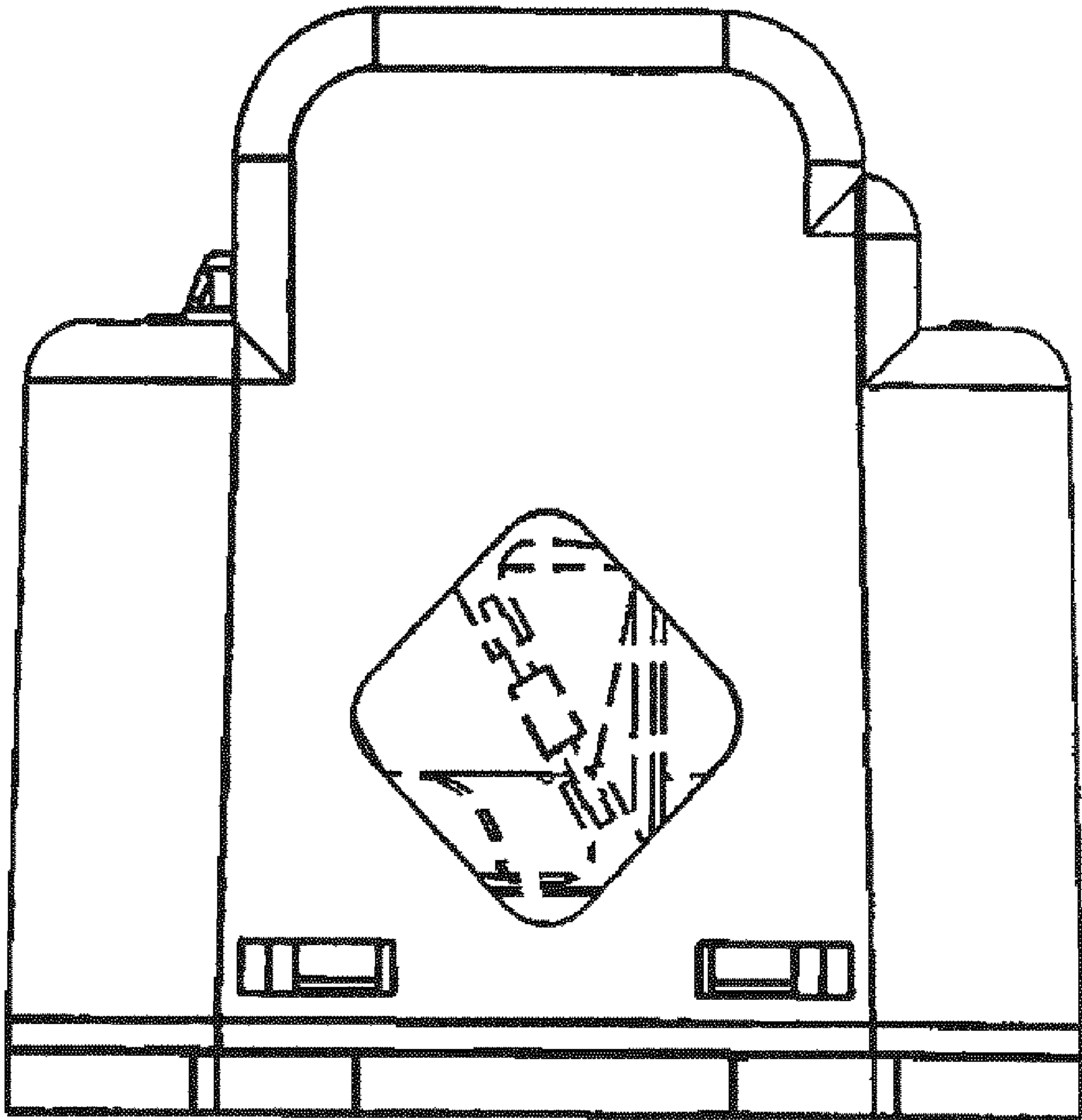


FIG. 31

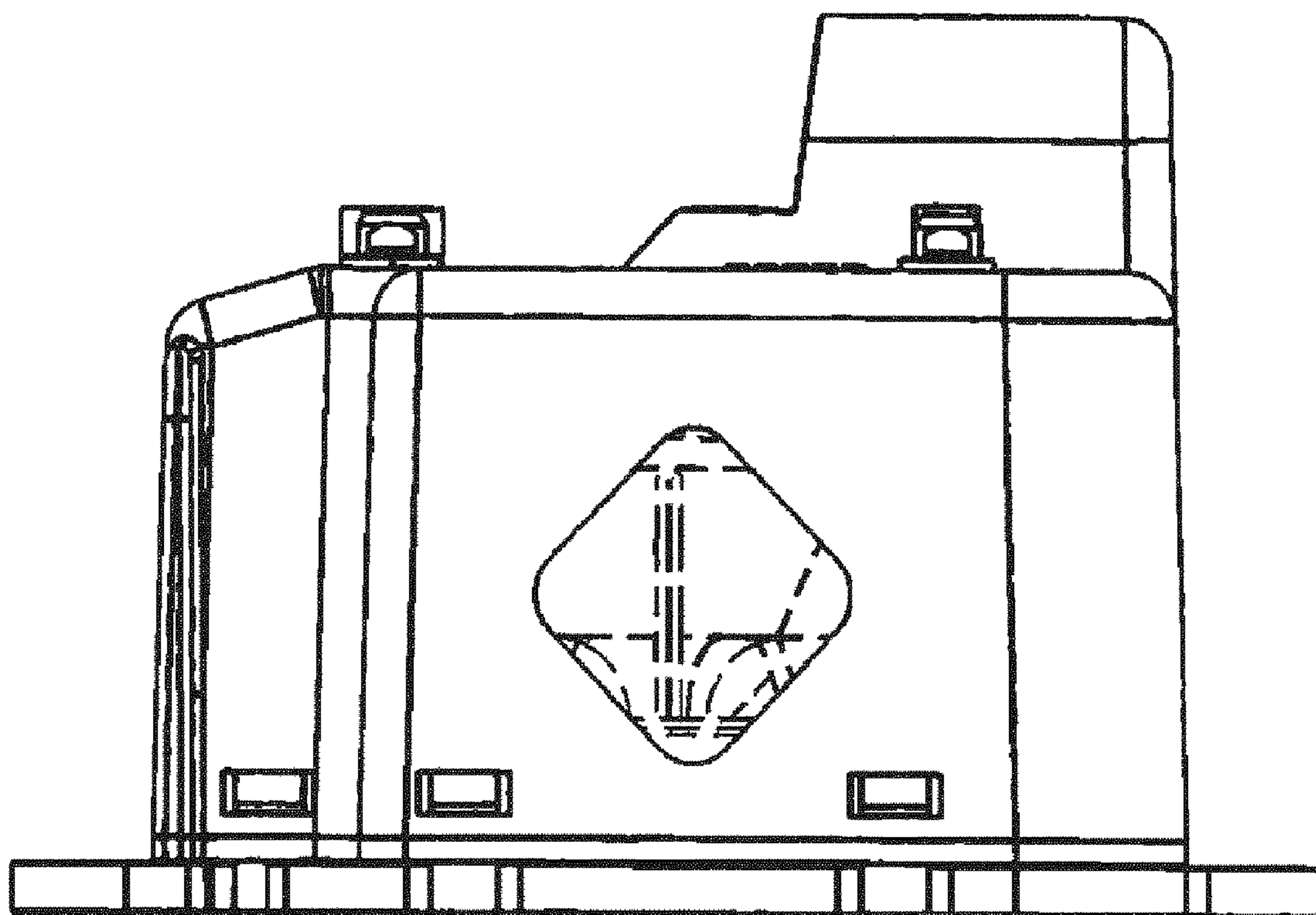


FIG. 32

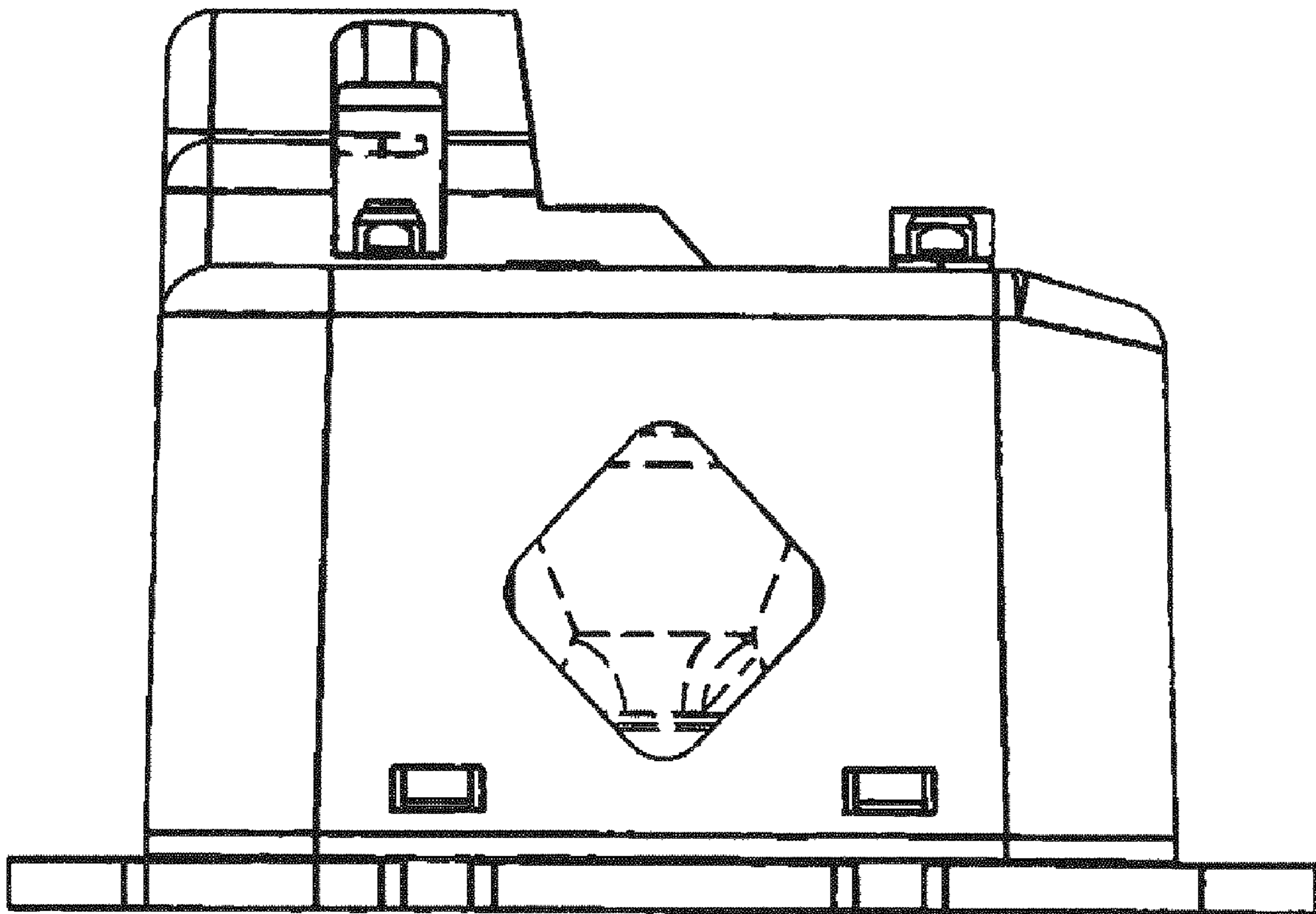


FIG. 33

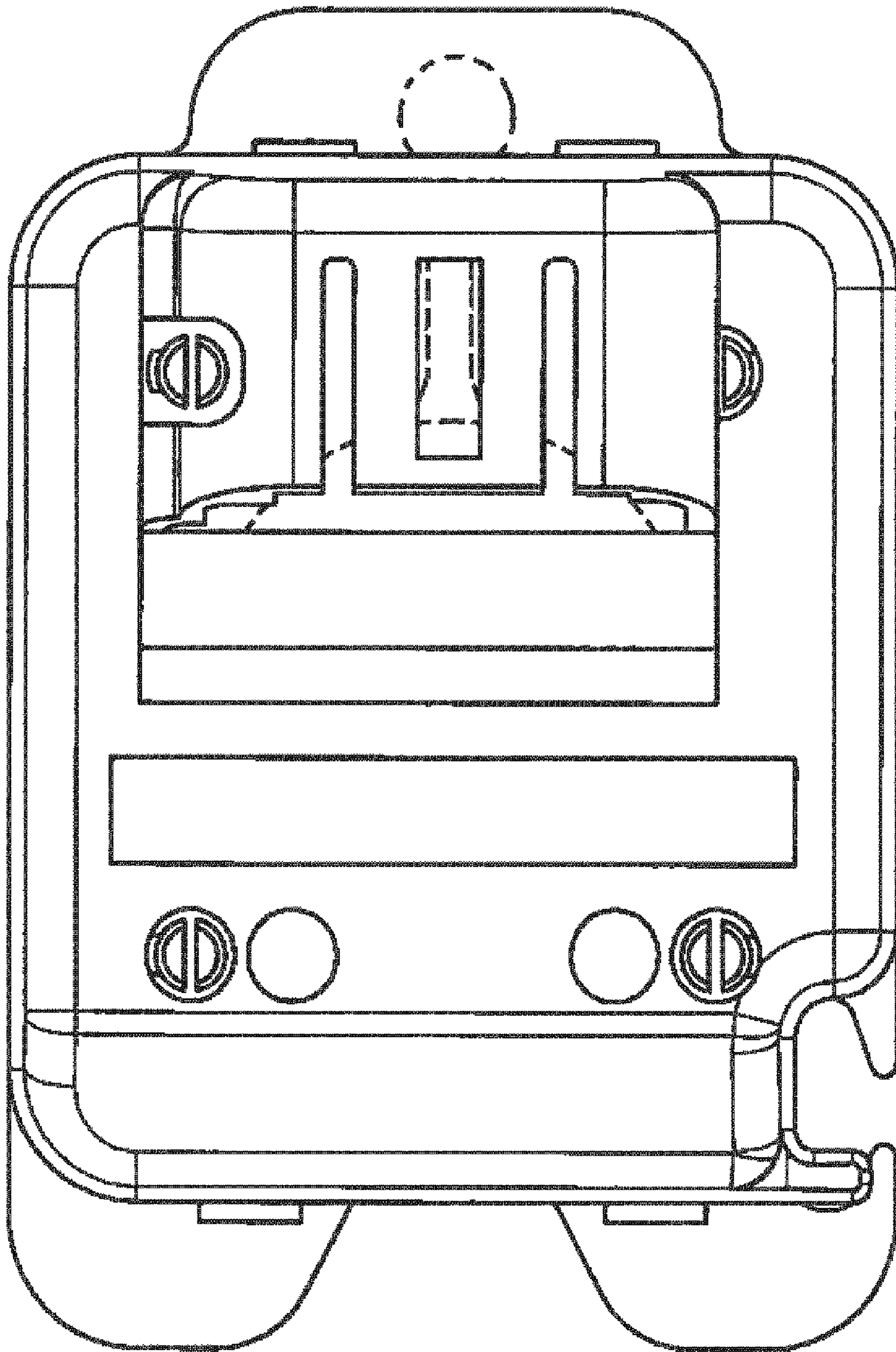


FIG. 34

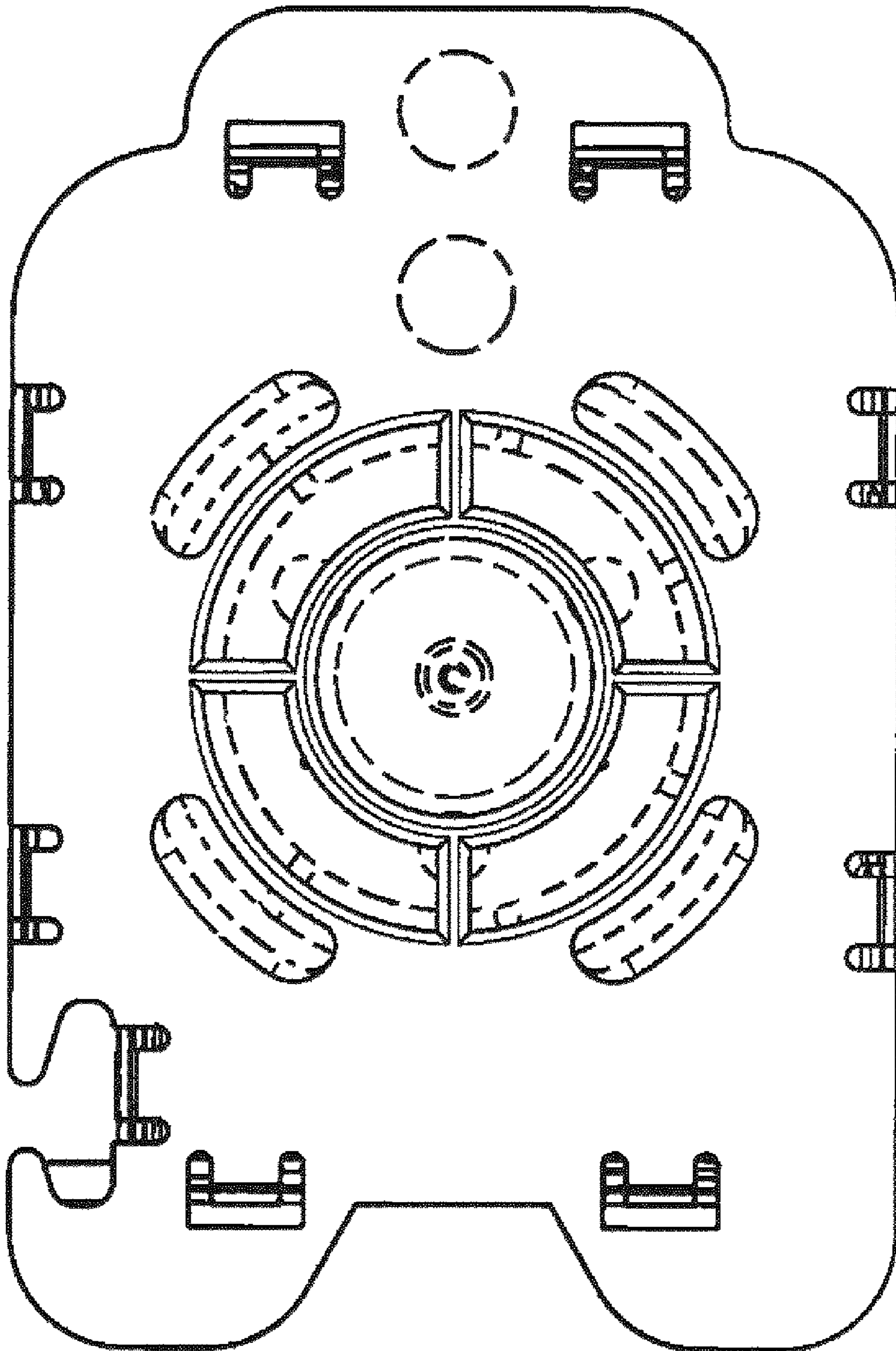


FIG. 35

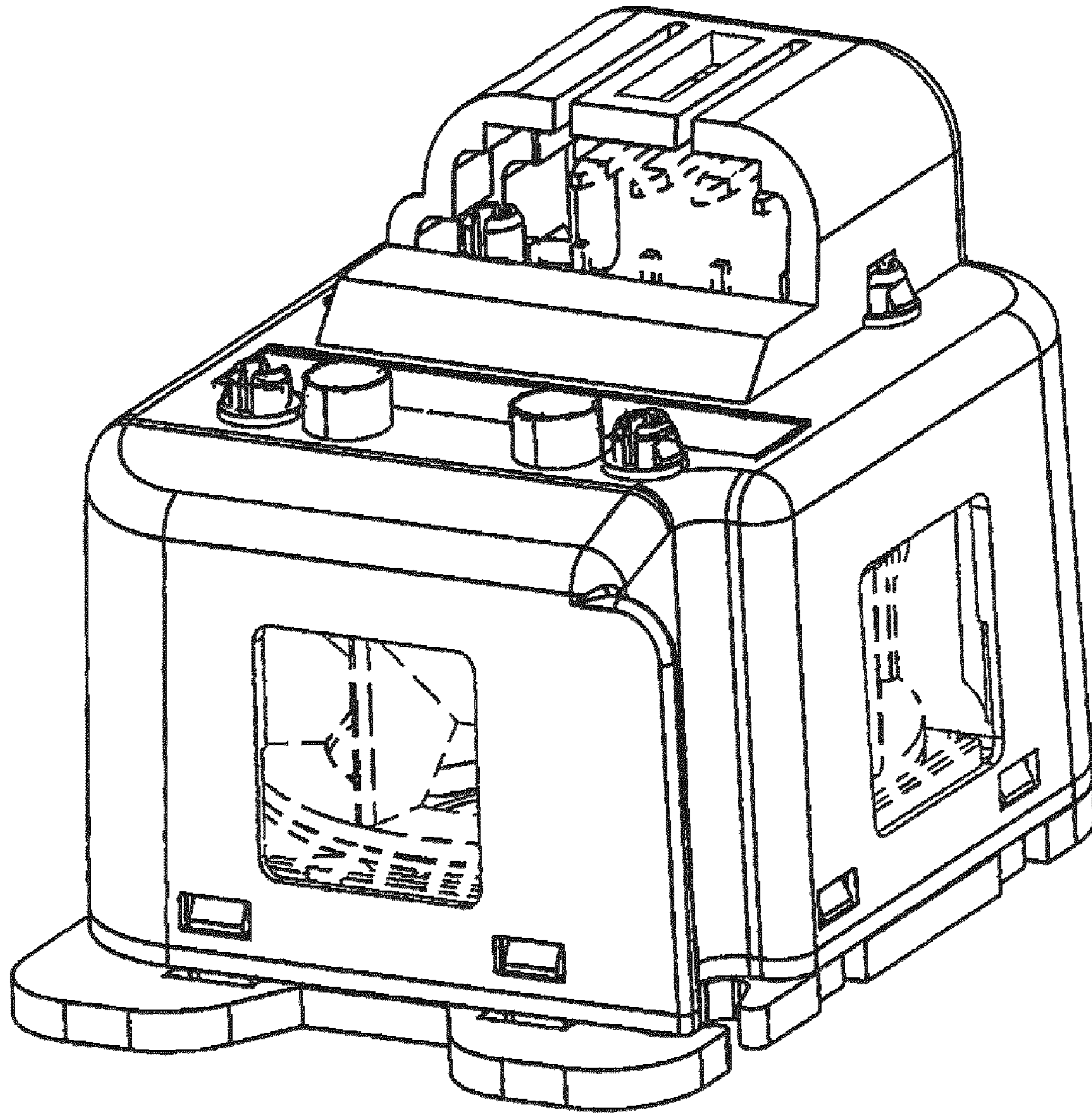


FIG. 36

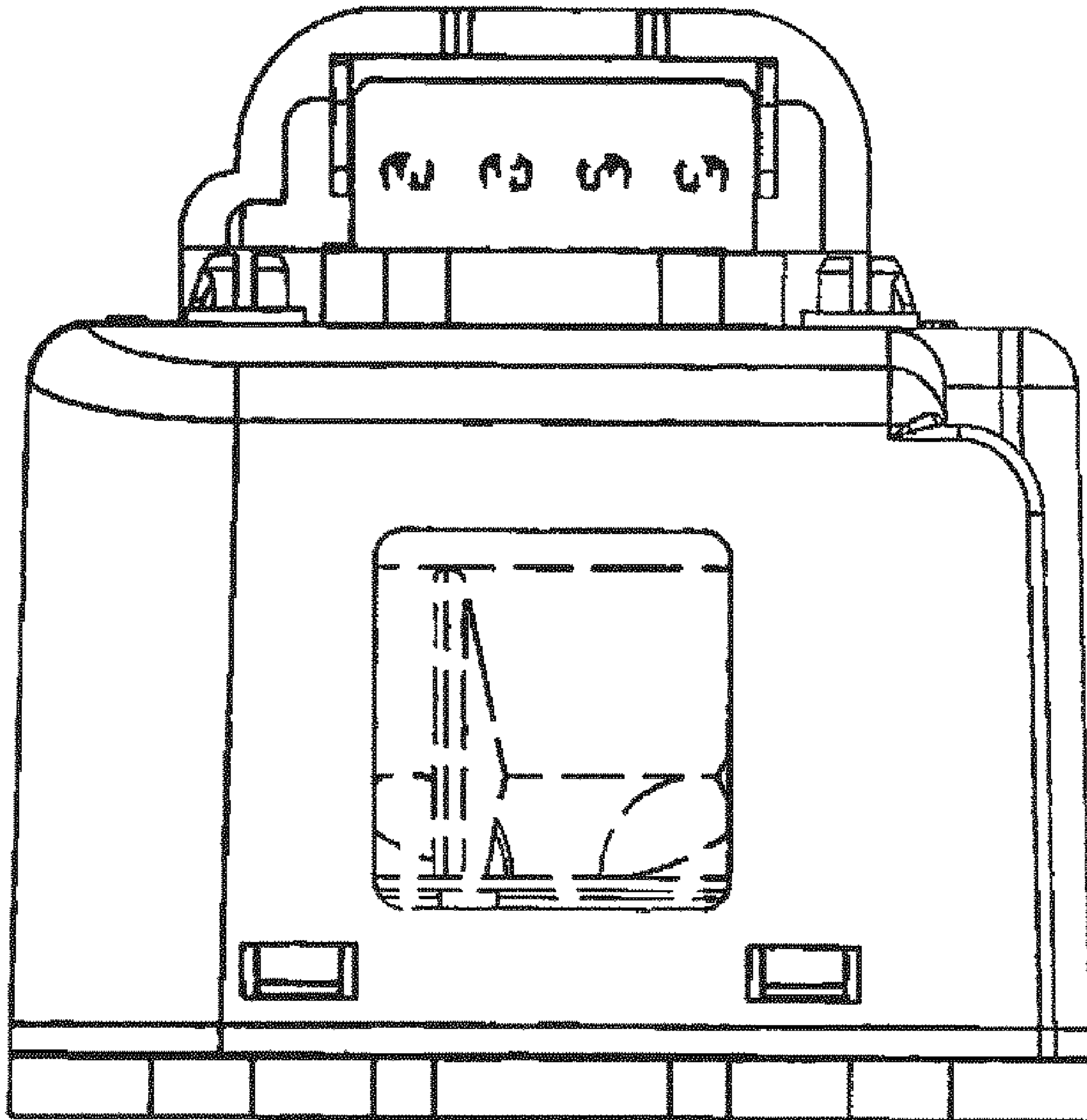


FIG. 37

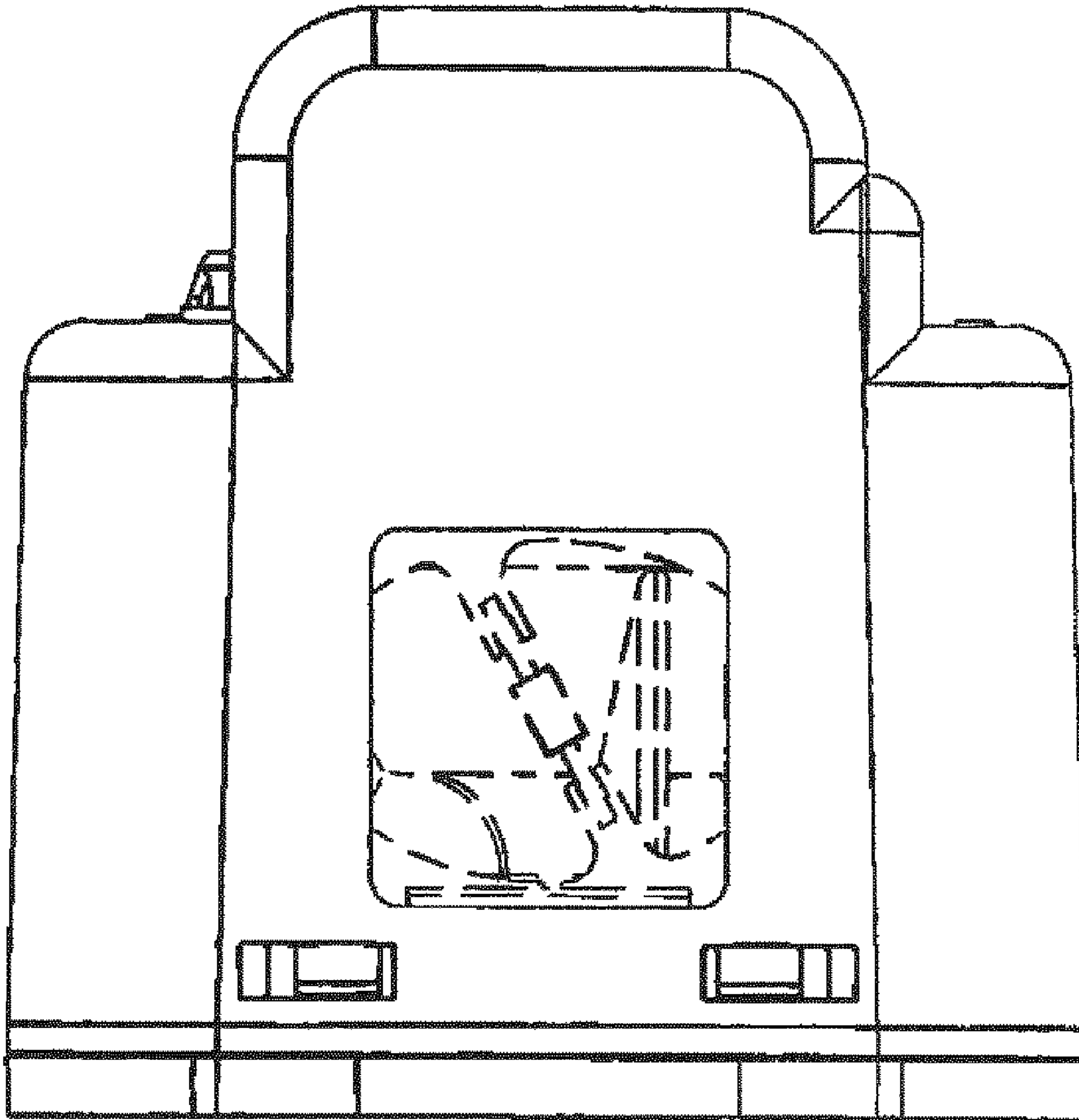


FIG. 38

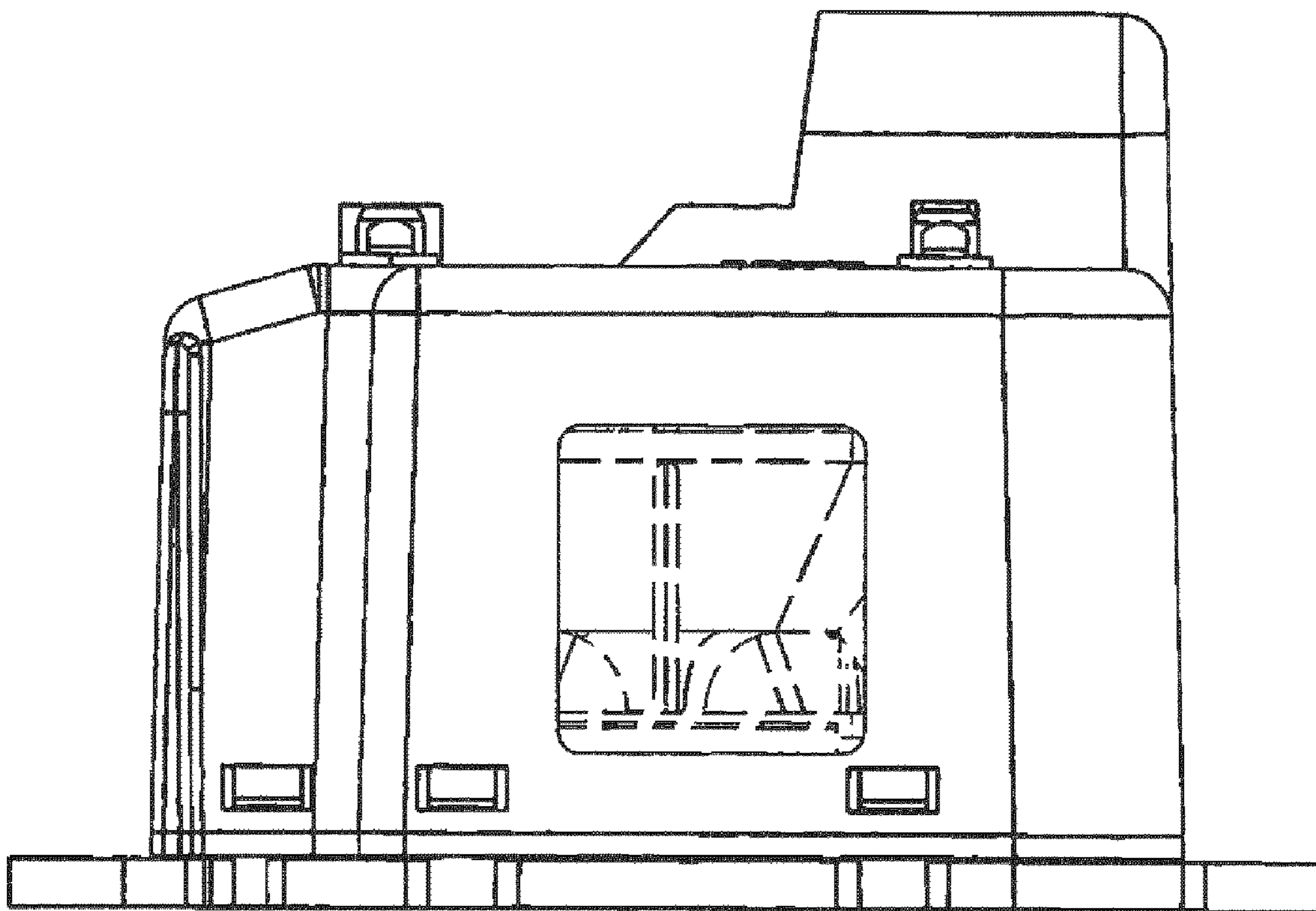


FIG. 39

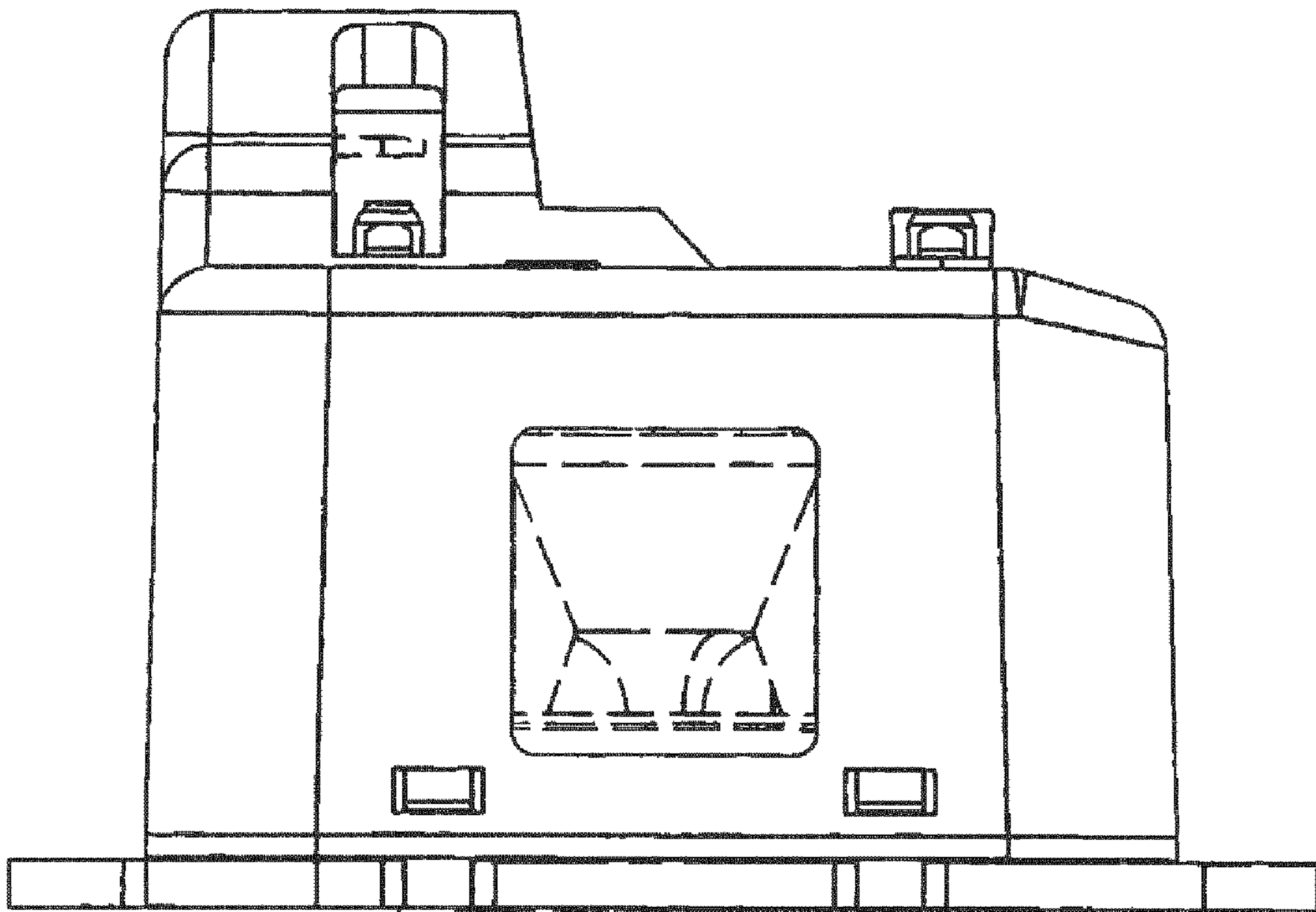


FIG. 40

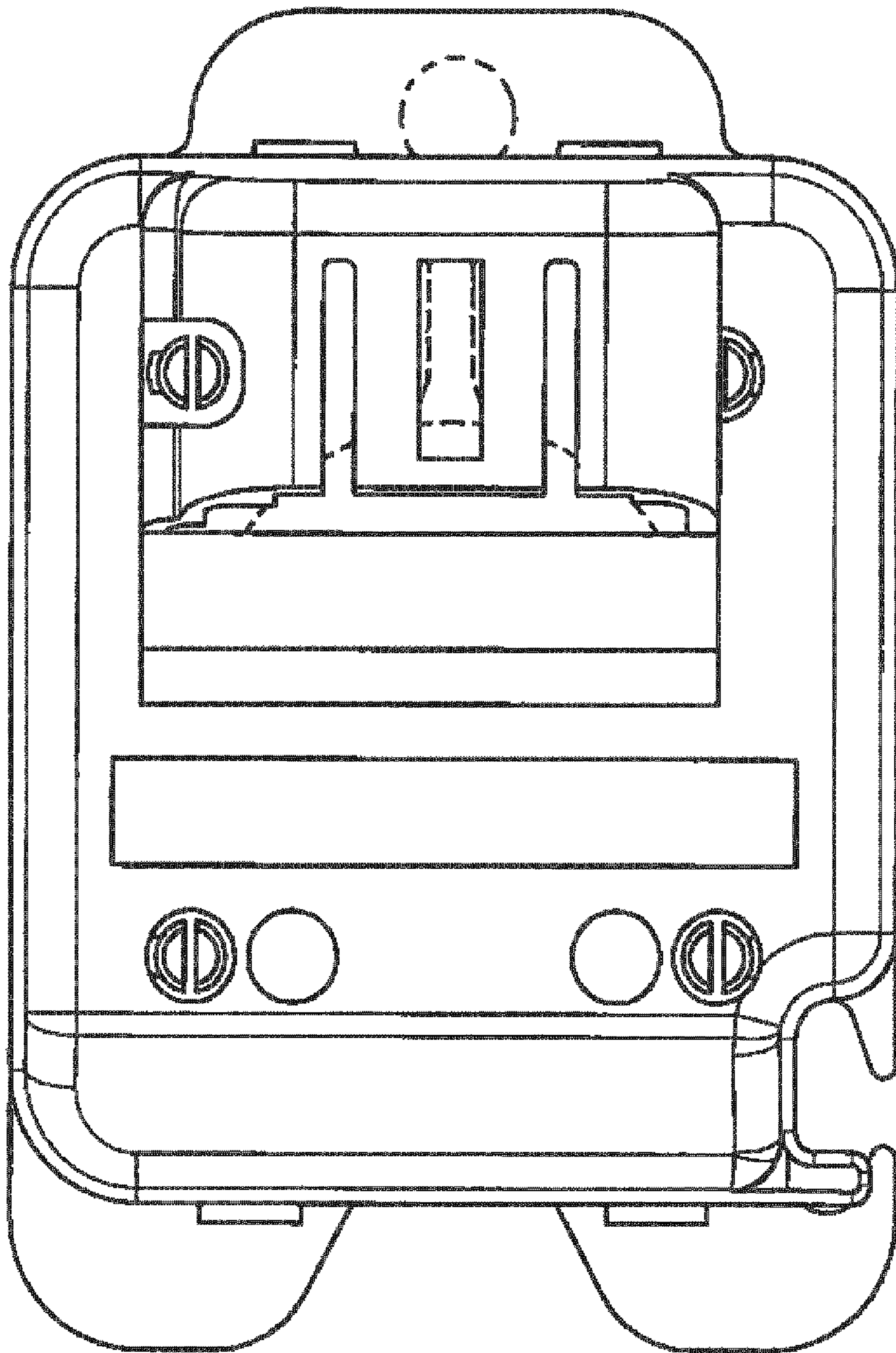


FIG. 41

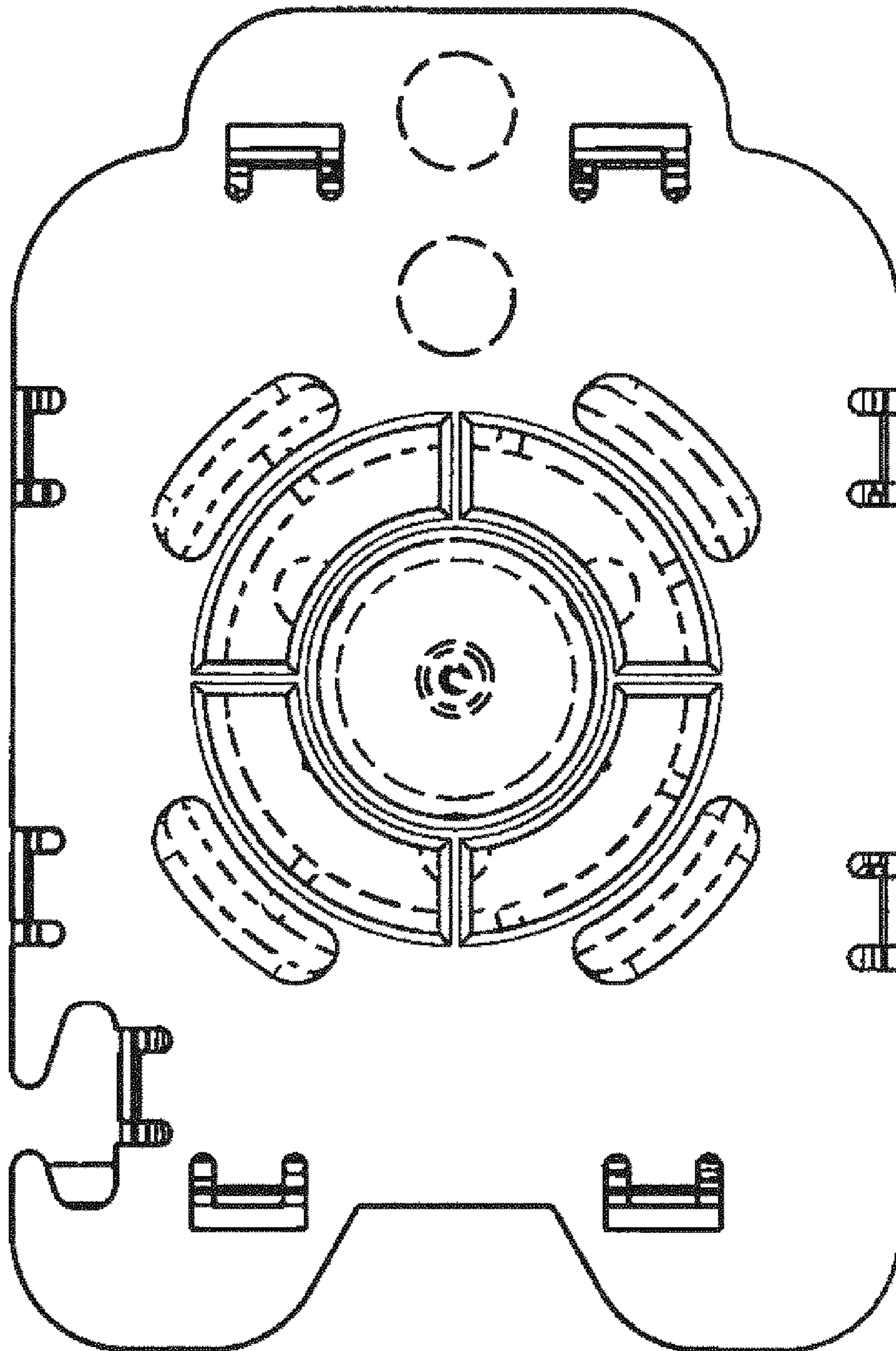


FIG. 42