



US00D631148S

(12) **United States Design Patent**
Benton et al.

(10) **Patent No.:** **US D631,148 S**
(45) **Date of Patent:** **** Jan. 18, 2011**

(54) **DESTRATIFICATION FAN**

(75) Inventors: **Jeffrey G. Benton**, Boulder, CO (US);
William F. Buell, Jr., Paint Lick, KY
(US); **Brian M. Johnson**, Lawrenceburg,
KY (US)

(73) Assignee: **Zoo Fans Incorporated**, Boulder, CO
(US)

(**) Term: **14 Years**

(21) Appl. No.: **29/363,359**

(22) Filed: **Jun. 8, 2010**

(51) **LOC (9) Cl.** **23-04**

(52) **U.S. Cl.** **D23/370**

(58) **Field of Classification Search** D23/382,
D23/381, 370, 413, 411, 412; 416/244 R,
416/246, 247 R

See application file for complete search history.

(56) **References Cited**

U.S. PATENT DOCUMENTS

4,872,595	A	10/1989	Hammett et al.	
D414,550	S *	9/1999	Bloom	D23/328
6,155,782	A *	12/2000	Hsu	416/63
6,192,702	B1 *	2/2001	Shimogori	62/259.3
D514,688	S	2/2006	Avedon	
7,381,129	B2	6/2008	Avedon	

OTHER PUBLICATIONS

Solar Components Corp. (2010), Stratojet air destratifier, retrieved from the Internet Sep. 27, 2010 at <http://www.solar-components.com/strato.htm>, 1 page.

Case 1:10-cv-01899-WYD, U.S. District Court, District of Colorado, Complaint for Declaratory Relief, Aug. 9, 2009, 20 pages.

Case 1:10-cv-01899-WYD-KLM, U.S. District Court, District of Colorado, Defendants' Amended Counterclaims and Jury Demand, Sep. 22, 2010, 40 pages.

Airius, The Thermal Equalizer Overview-Specs; retrieved from the Internet Sep. 1, 2010, 7 pages.

Reznor Maximizor advertising materials, retrieved from the Internet Oct. 14, 2010, 4 pages.

BRR Technologies advertising materials, retrieved from the Internet Oct. 14, 2010, 2 pages.

Patterson Fan Company advertising materials, retrieved from the Internet Oct. 14, 2010, 3 pages.

Sigma Engineering Tube Fans advertising materials, retrieved from the Internet Oct. 14, 2010, 3 pages.

* cited by examiner

Primary Examiner—Lisa P Lichtenstein

(74) *Attorney, Agent, or Firm*—Lathrop & Gage LLP

(57) **CLAIM**

The ornamental design for a destratification fan, as shown and described.

DESCRIPTION

FIG. 1 is a perspective view of the destratification fan;

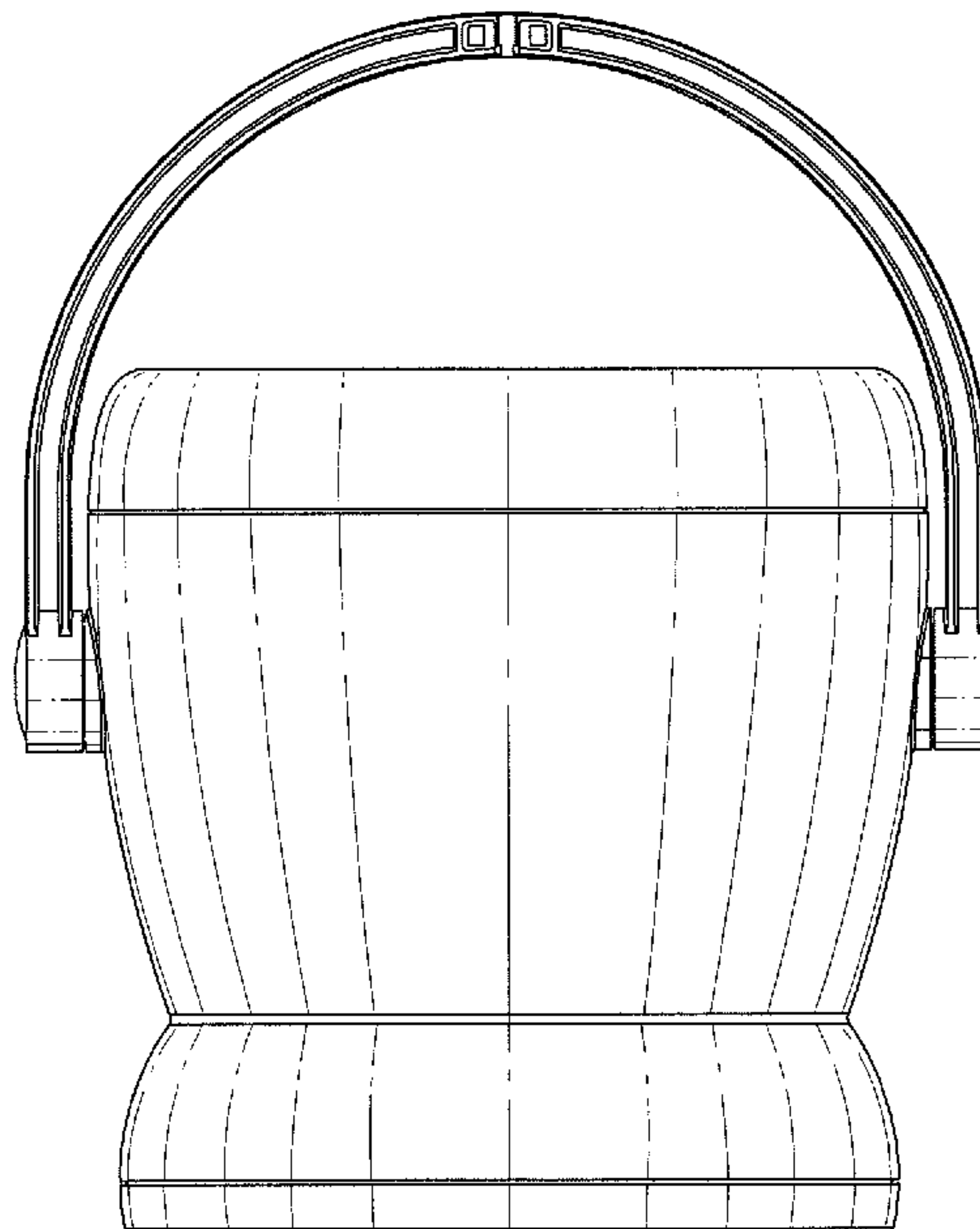
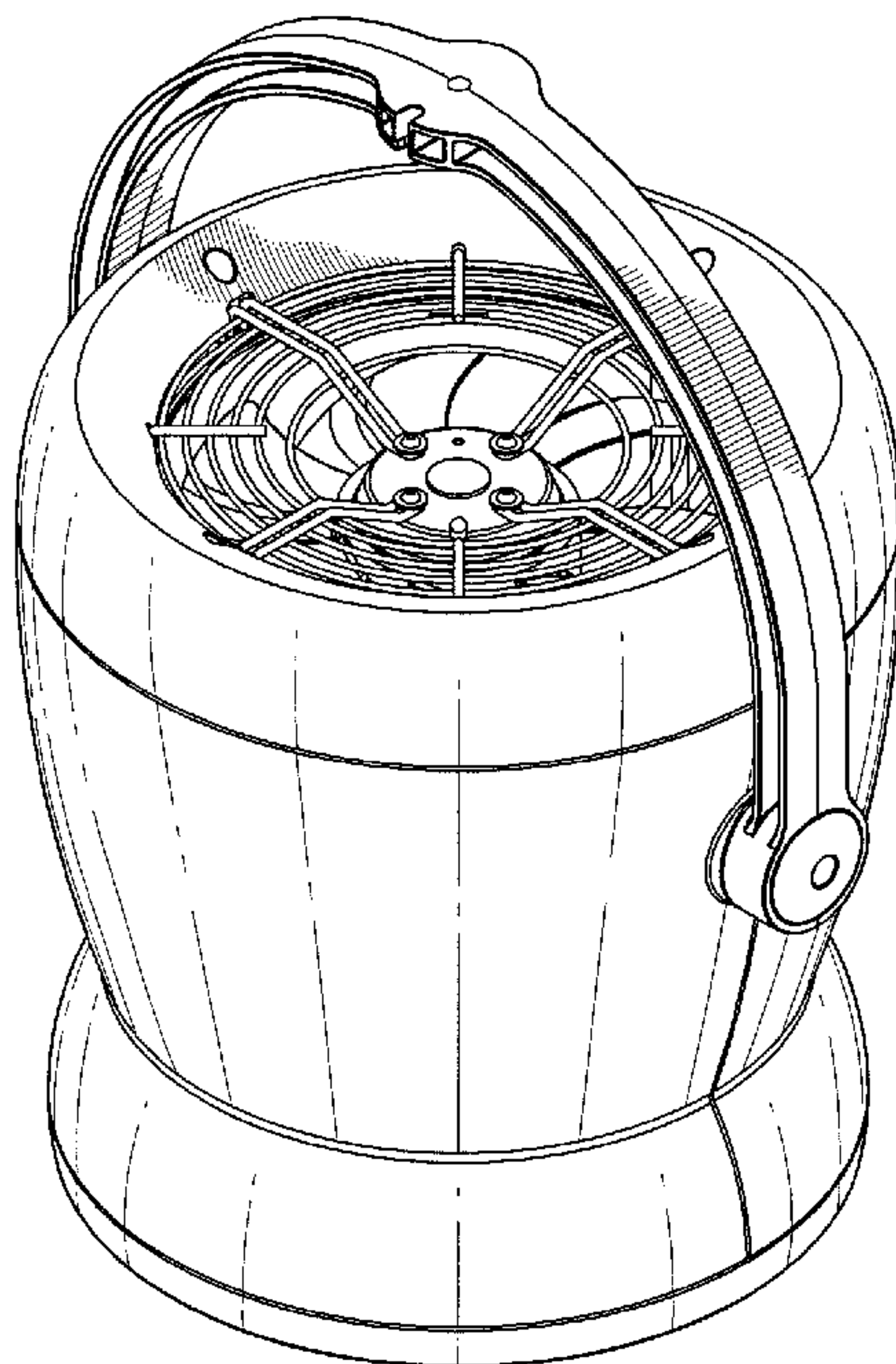
FIG. 2 is an elevational front view of the destratification fan of FIG. 1, an elevational rear view of the destratification fan being identical;

FIG. 3 is an elevational right side view of the destratification fan of FIG. 1, an elevational left side view of the destratification fan being identical;

FIG. 4 is a top view of the destratification fan of FIG. 1; and,

FIG. 5 is a bottom view of the destratification fan of FIG. 1.

1 Claim, 5 Drawing Sheets



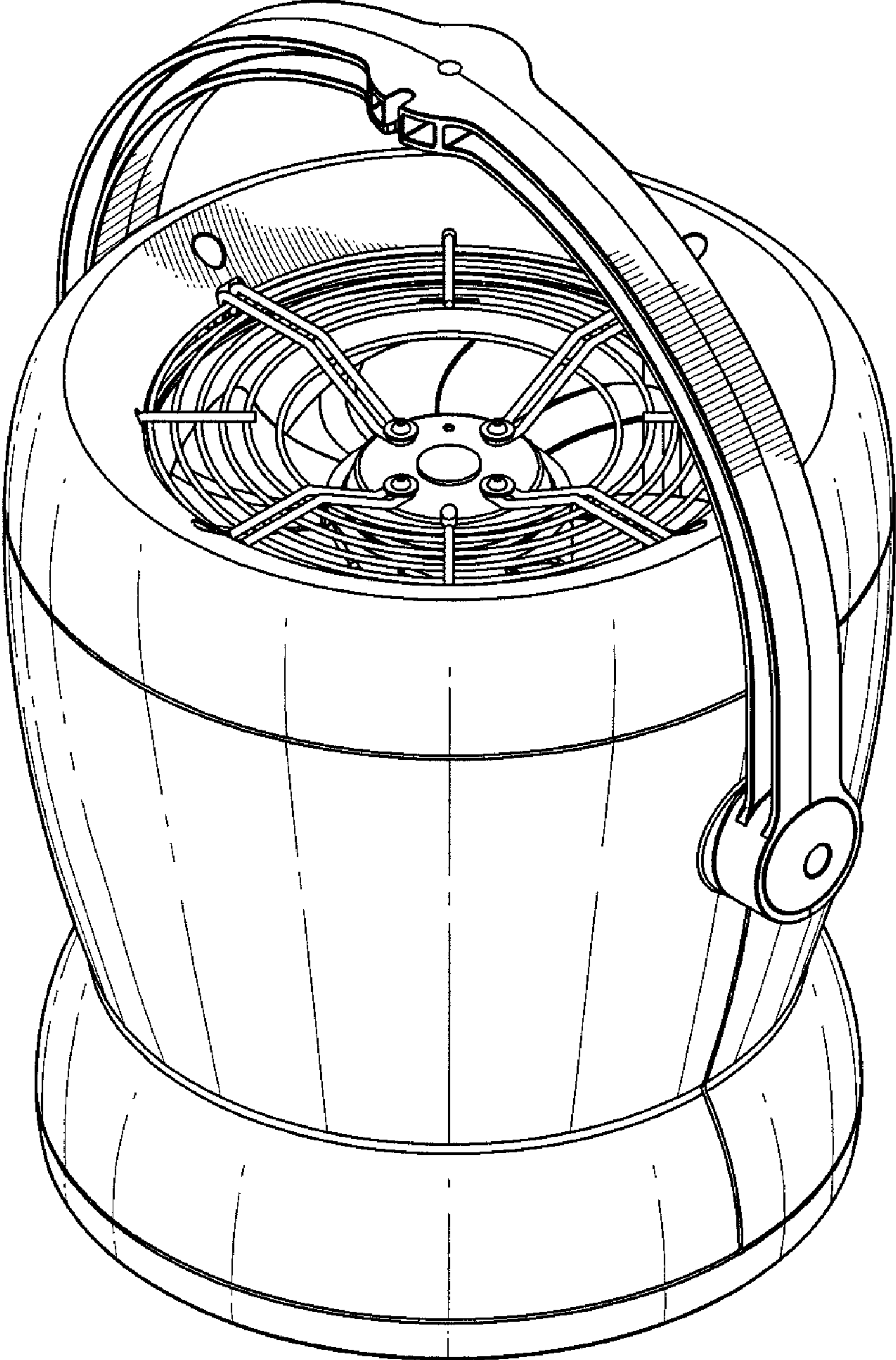


FIG. 1

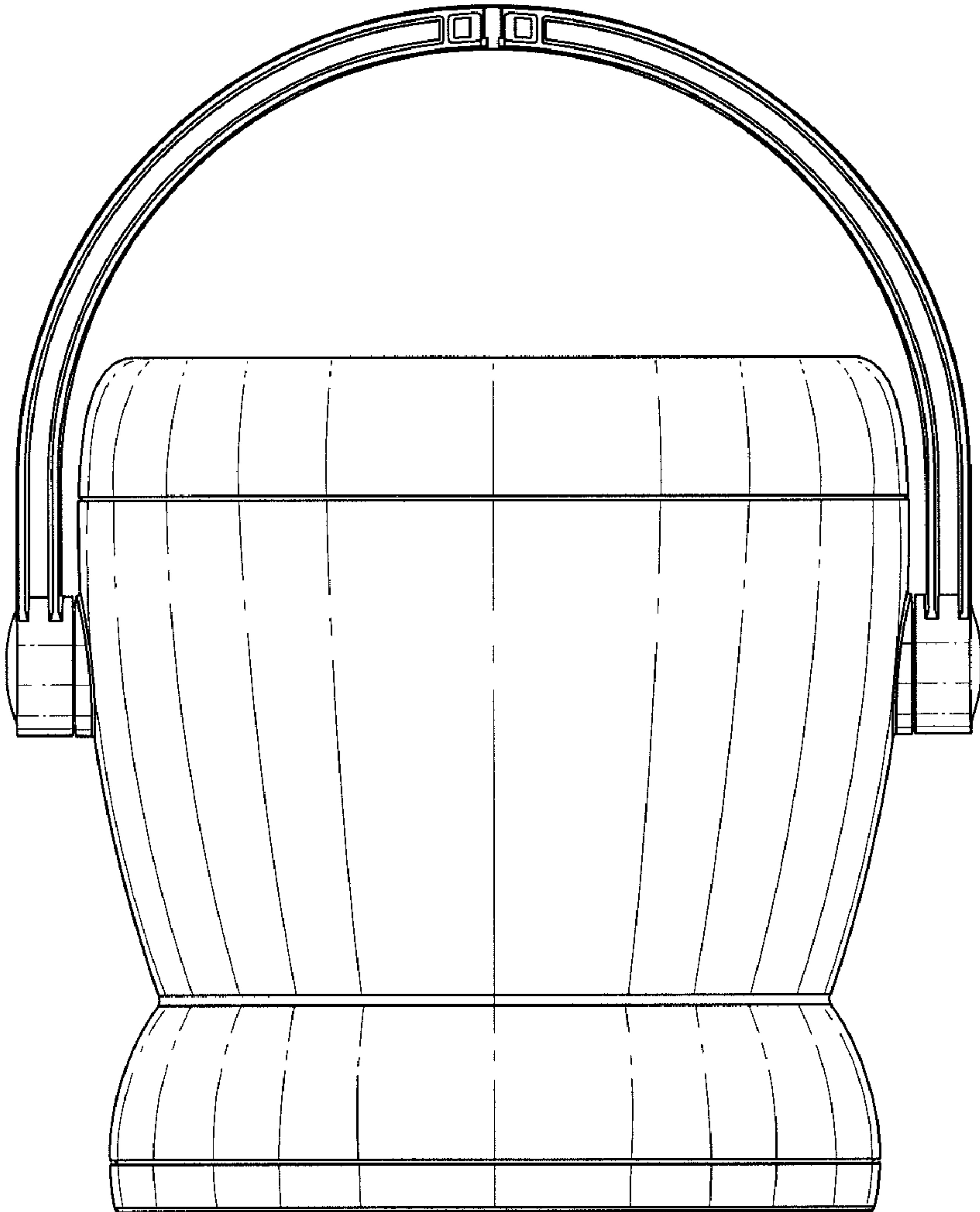


FIG.2

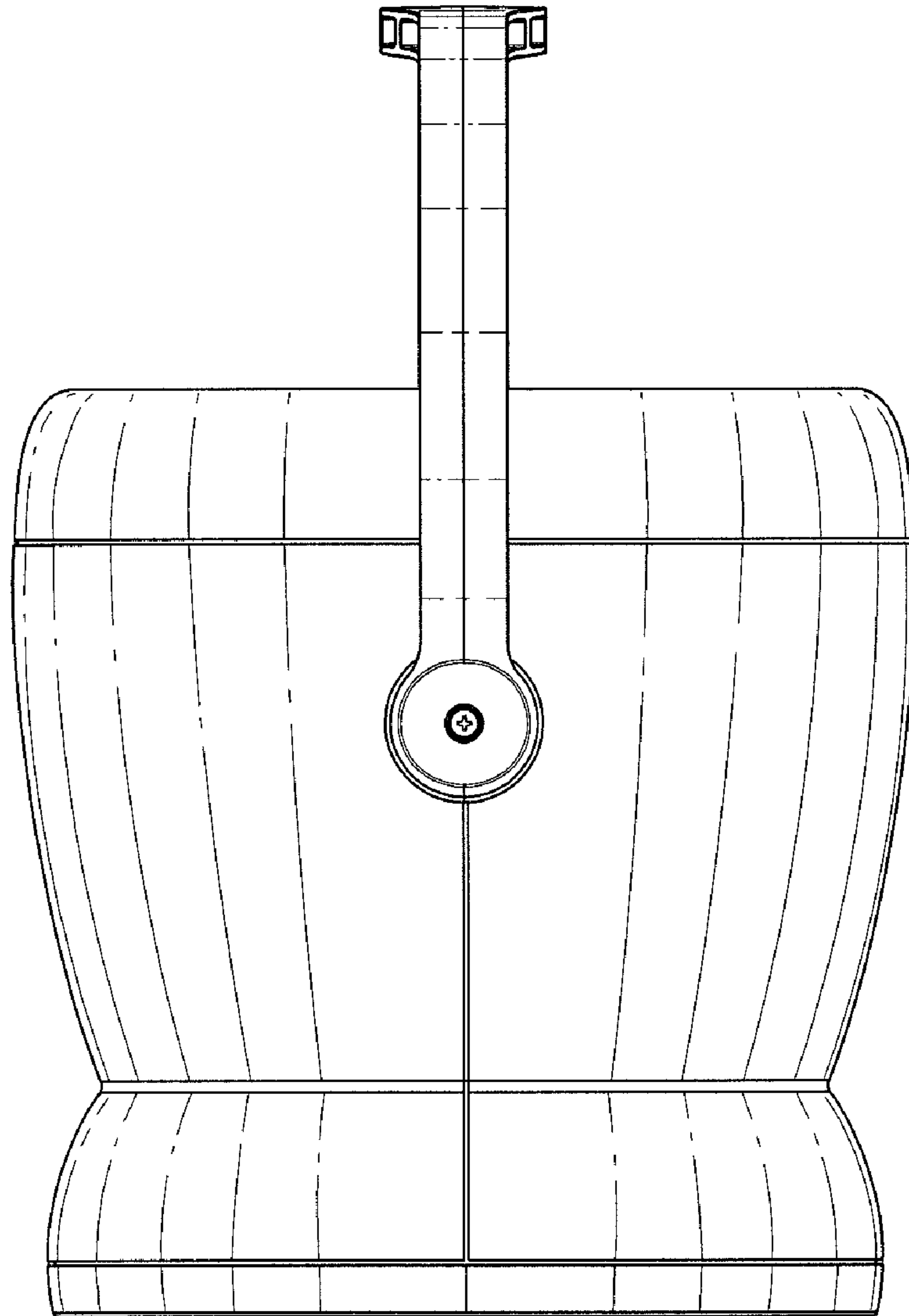


FIG. 3

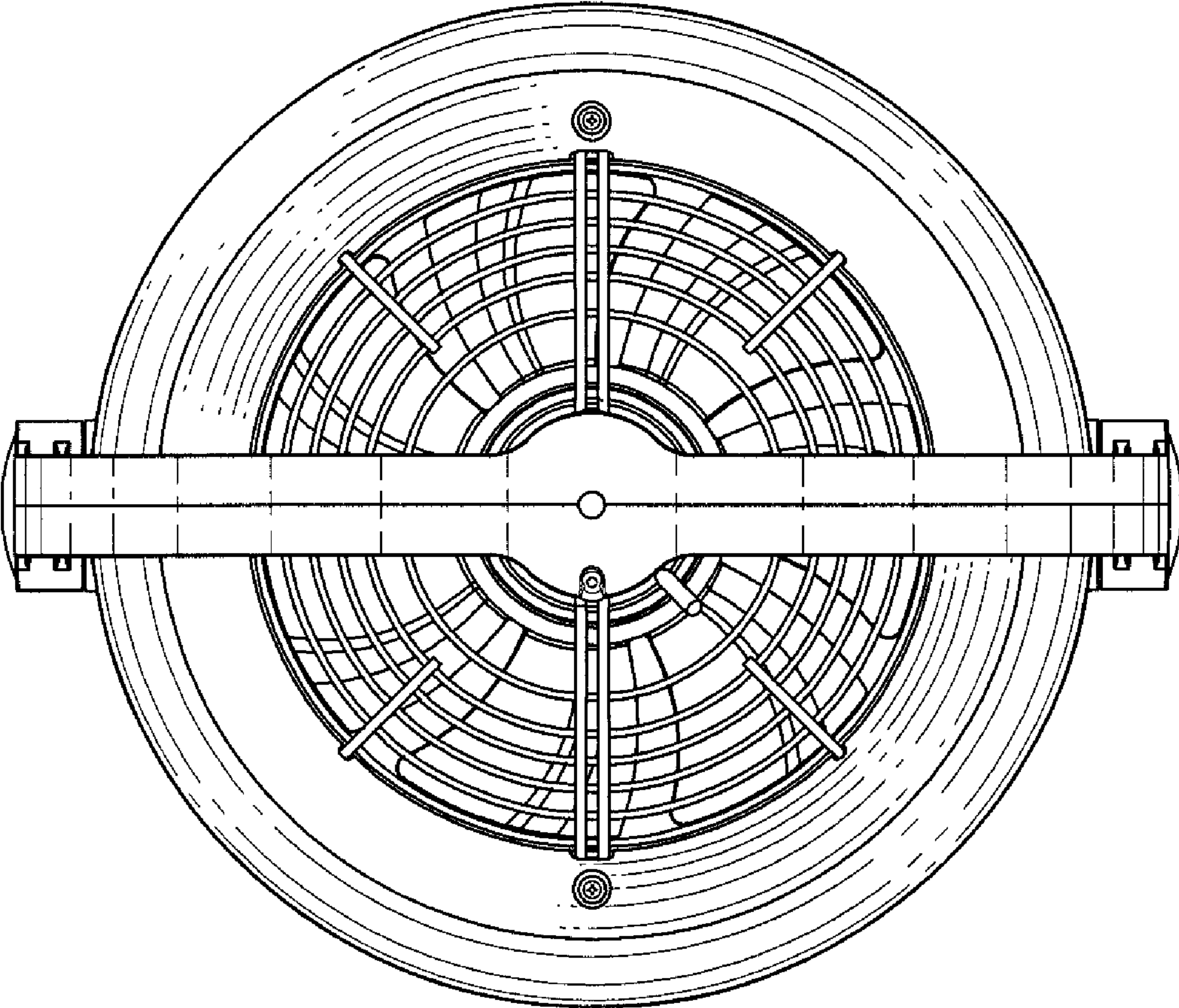


FIG.4

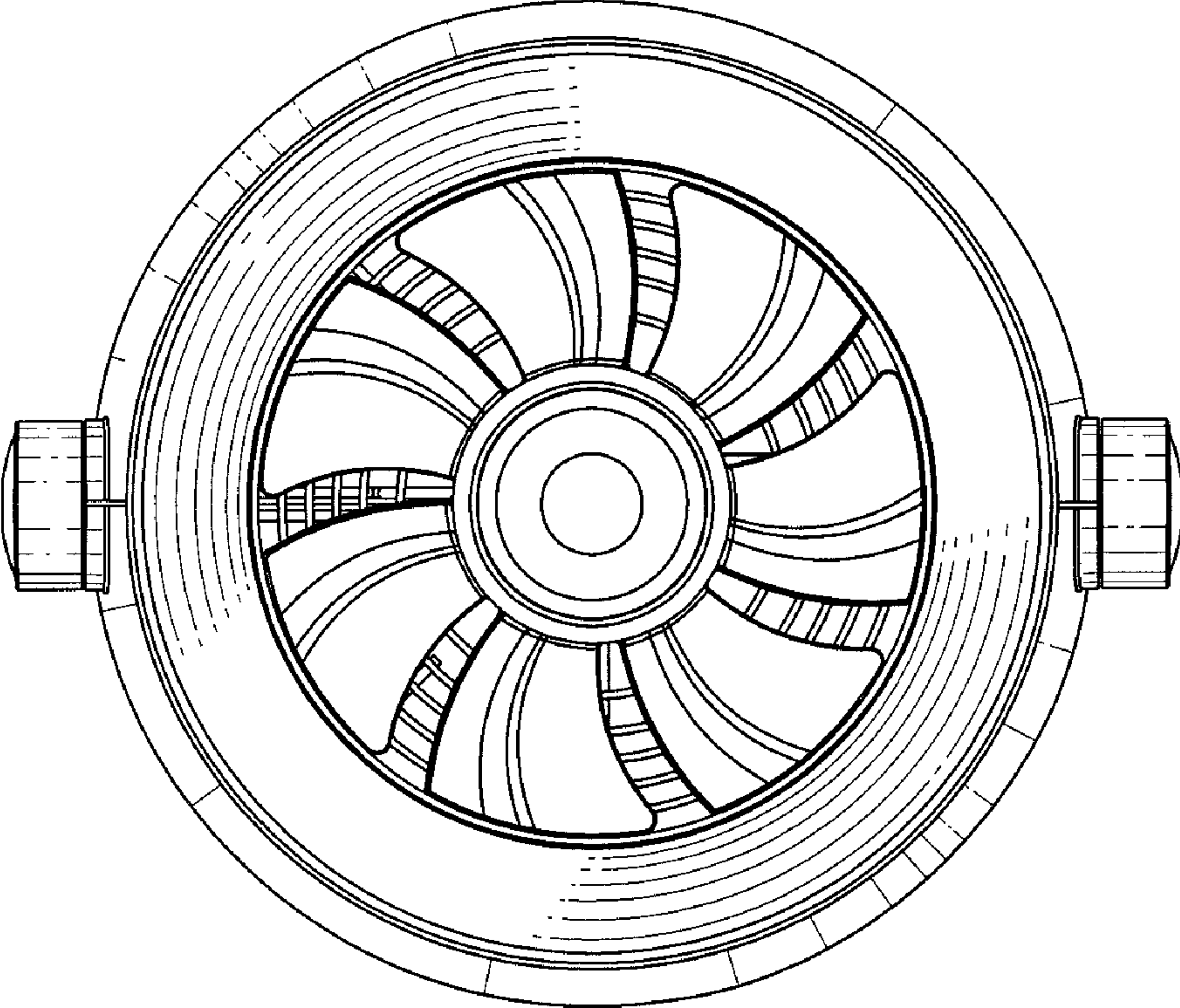


FIG. 5