



US00D631145S

(12) **United States Design Patent**  
**Beland et al.**

(10) **Patent No.:** **US D631,145 S**  
(45) **Date of Patent:** **\*\* Jan. 18, 2011**

(54) **HUMIDIFIER HOUSING**

D322,122 S 12/1991 Guetersloth et al.

(75) Inventors: **Stephane Joseph Pierre Beland**,  
St-Jean-sur-Richelieu (CA); **Evelyne**  
**Tremblay**, Chambly (CA); **Vincent**  
**Boutin**, Montreal (CA); **Xin Hua Cao**,  
Tianjin (CN)

(Continued)

**FOREIGN PATENT DOCUMENTS**

JP 54023240 2/1979

(73) Assignee: **Honeywell International Inc.**,  
Morristown, NJ (US)

(Continued)

(\*\*) Term: **14 Years**

**OTHER PUBLICATIONS**

(21) Appl. No.: **29/344,125**

Carrier Humidifiers Homeowner's Manual, 8 pages, 1998.

(22) Filed: **Sep. 23, 2009**

(Continued)

(51) **LOC (9) Cl.** ..... **23-04**

*Primary Examiner*—David G Muller

(52) **U.S. Cl.** ..... **D23/356**

(74) *Attorney, Agent, or Firm*—Seager Tufte & Wickhem  
LLC

(58) **Field of Classification Search** ..... D23/355–360,  
D23/364–366, 369, 332, 333, 335, 342, 351,  
D23/318, 317; 422/120, 122; 55/356, 473,  
55/504; 96/97; D14/188, 170, 172; 261/DIG. 17,  
261/DIG. 65, DIG. 88, DIG. 31; D18/34.6;  
D34/28; D15/5

(57) **CLAIM**

The ornamental design for a humidifier housing, as shown  
and described.

See application file for complete search history.

**DESCRIPTION**

(56) **References Cited**

**U.S. PATENT DOCUMENTS**

2,101,603	A	12/1937	Stimson	
3,491,746	A	1/1970	Swimmer et al.	
3,672,706	A	6/1972	Chilcoat	
4,158,679	A	6/1979	Yeagle	
D253,846	S *	1/1980	Morrow	D23/357
D258,609	S *	3/1981	Vogt	D23/364
D280,660	S	9/1985	Muchenberger	
D281,271	S *	11/1985	Meyer et al.	D23/365
4,564,746	A	1/1986	Morton et al.	
D283,265	S *	4/1986	Preskey et al.	D34/28
4,589,409	A	5/1986	Chatburn et al.	
D320,072	S	9/1991	Youngeberg	

FIG. 1 is an upper right perspective view of the humidifier housing;

FIG. 2 is an upper left perspective view of the humidifier housing;

FIG. 3 is a front elevation view of the humidifier housing;

FIG. 4 is a left side elevation view of the humidifier housing;

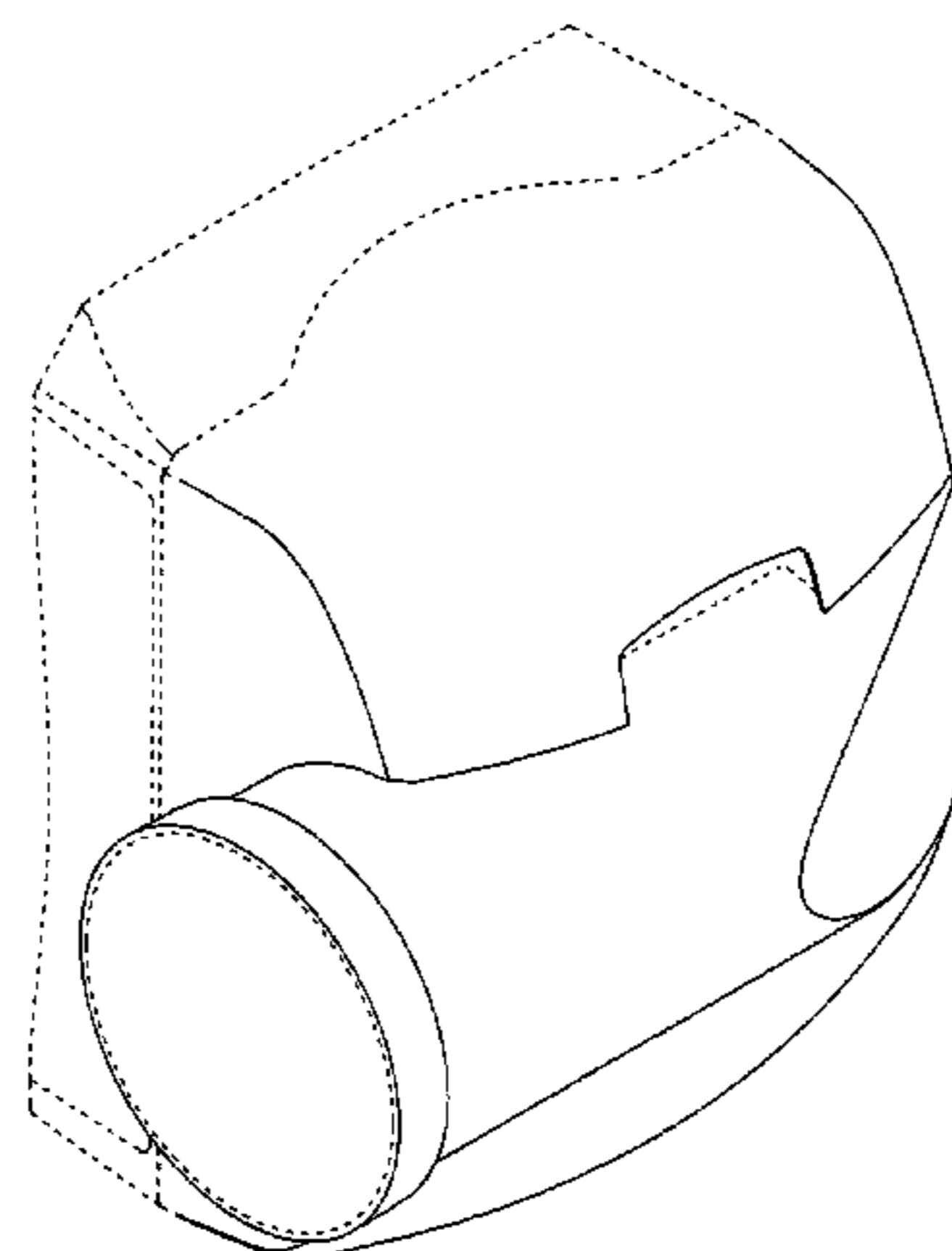
FIG. 5 is a right side elevation view of the humidifier housing;

FIG. 6 is a top plan view of the humidifier housing; and,

FIG. 7 is a bottom plan view of the humidifier housing.

The features shown in broken lines depict environmental subject matter only and form no part of the claimed design.

**1 Claim, 7 Drawing Sheets**



# US D631,145 S

Page 2

## U.S. PATENT DOCUMENTS

5,252,260 A 10/1993 Schuman  
D342,989 S \* 1/1994 Wallen ..... D23/357  
5,598,971 A 2/1997 Winther et al.  
D409,737 S \* 5/1999 Nilsson ..... D23/332  
D416,994 S 11/1999 Kensok et al.  
6,354,572 B1 3/2002 Menassa  
D458,356 S 6/2002 Redner et al.  
6,588,734 B2 7/2003 Redner et al.  
D486,896 S \* 2/2004 Long et al. .... D23/332  
D492,759 S \* 7/2004 Yoshida ..... D23/364  
6,845,755 B2 1/2005 Cook et al.  
D532,497 S \* 11/2006 Engel et al. .... D23/318  
D540,819 S \* 4/2007 Schmitt et al. .... D15/5  
D573,703 S \* 7/2008 Gosselin et al. .... D23/335  
7,434,741 B2 10/2008 Helt et al.

D598,526 S \* 8/2009 Pitchford et al. .... D23/317  
D600,252 S \* 9/2009 Yan et al. .... D15/5  
2008/0079177 A1 4/2008 Schuld

## FOREIGN PATENT DOCUMENTS

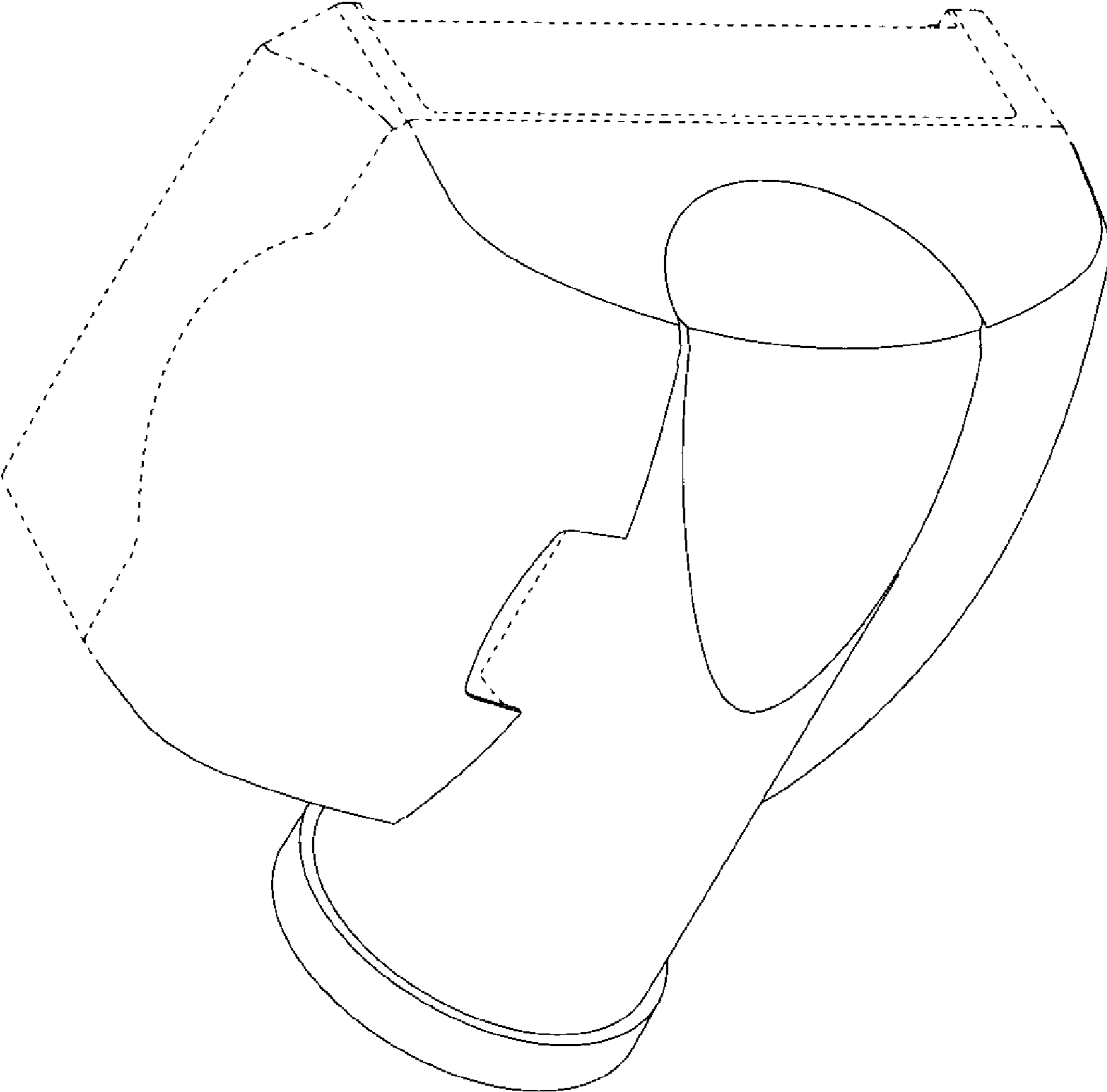
JP 2004293936 10/2004

## OTHER PUBLICATIONS

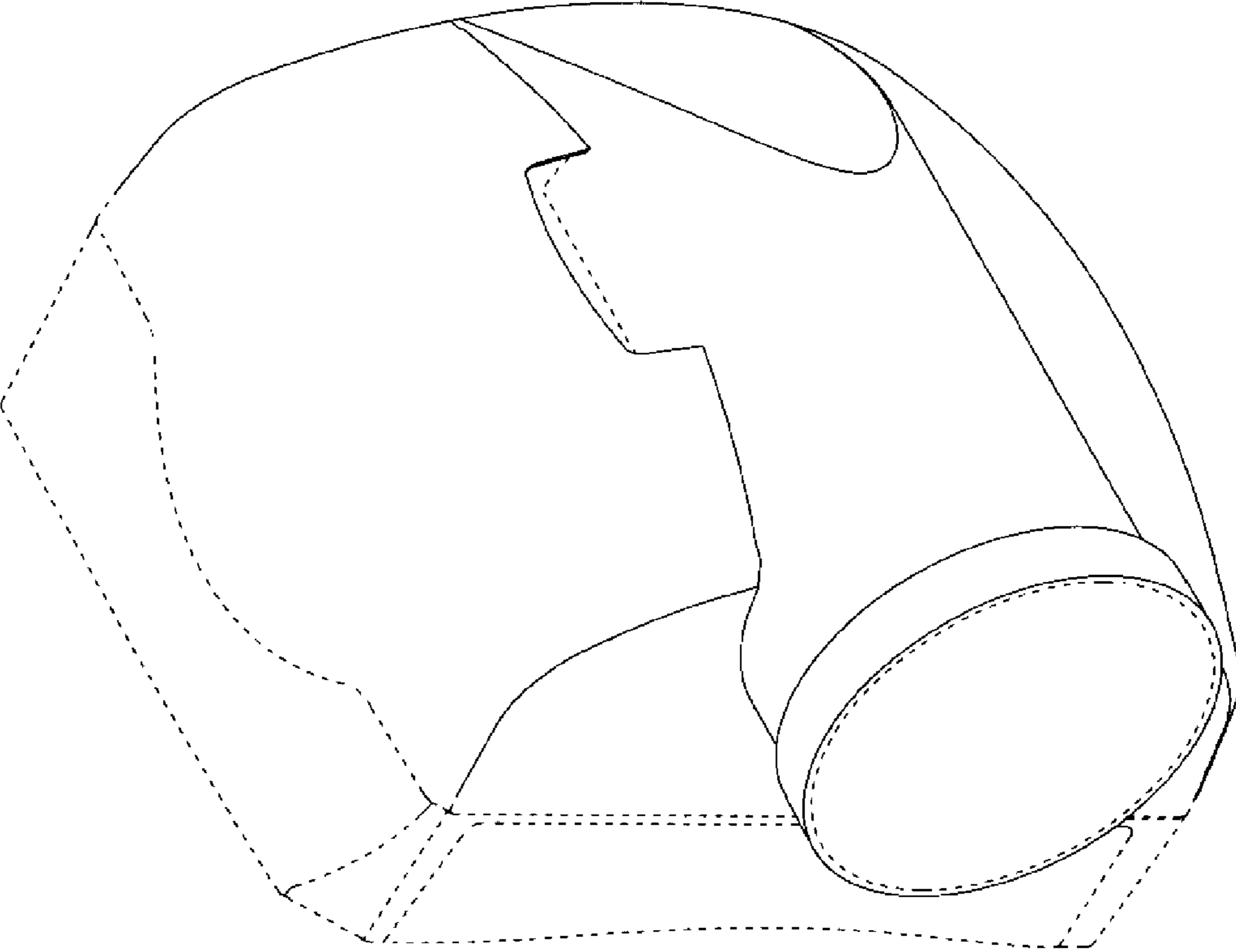
U.S. Appl. No. 12/565,716, filed Sep. 23, 2009.  
U.S. Appl. No. 12/565,722, filed Sep. 23, 2009.  
U.S. Appl. No. 12/565,723, filed Sep. 23, 2009.  
U.S. Appl. No. 12/565,719, filed Sep. 23, 2009.  
U.S. Appl. No. 29/344,128, filed Sep. 23, 2009.  
U.S. Appl. No. 12/565,700, filed Sep. 23, 2009.  
U.S. Appl. No. 12/565,706, filed Sep. 23, 2009.

\* cited by examiner

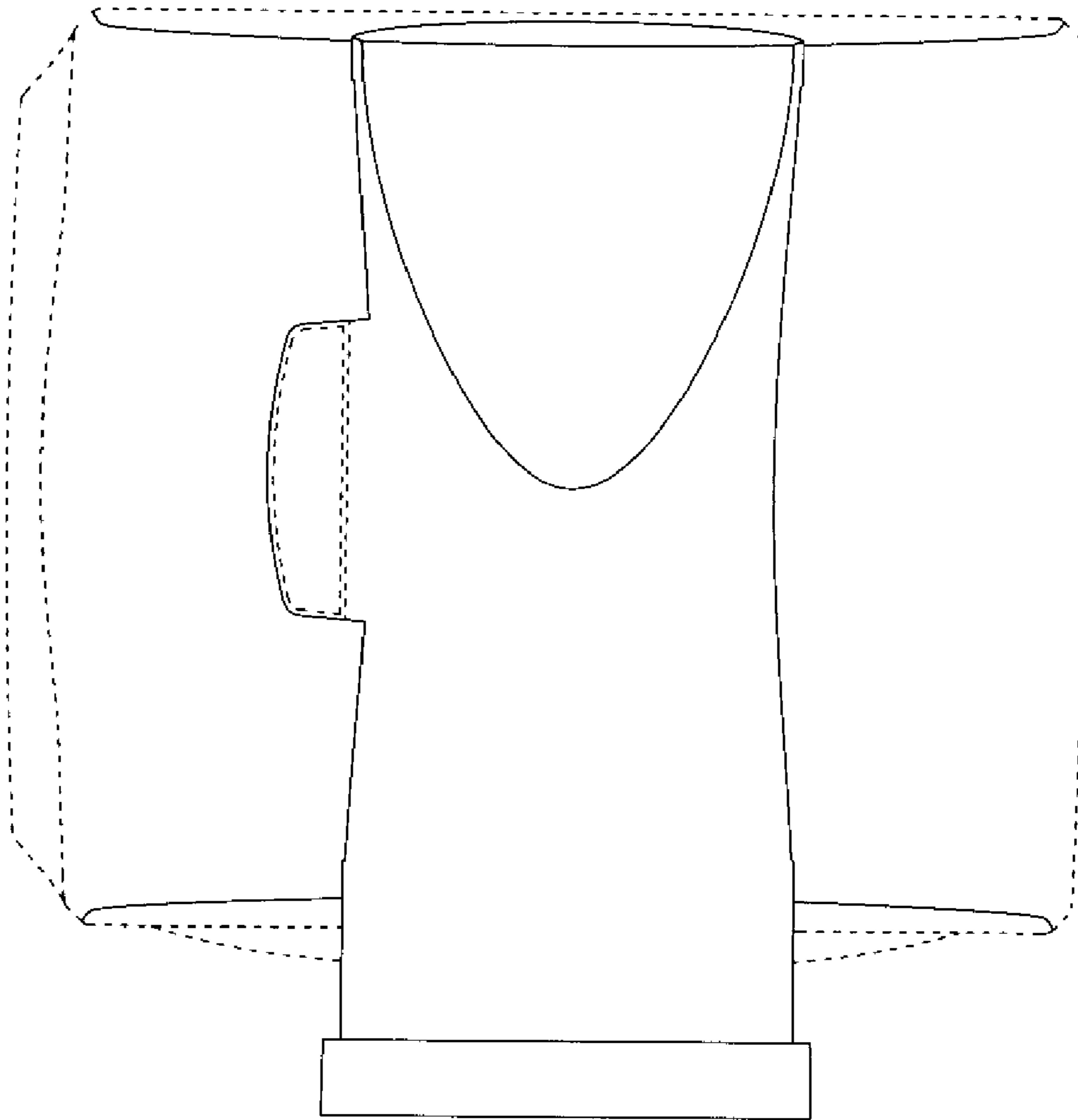
*Figure 1*



*Figure 2*



*Figure 3*



*Figure 4*

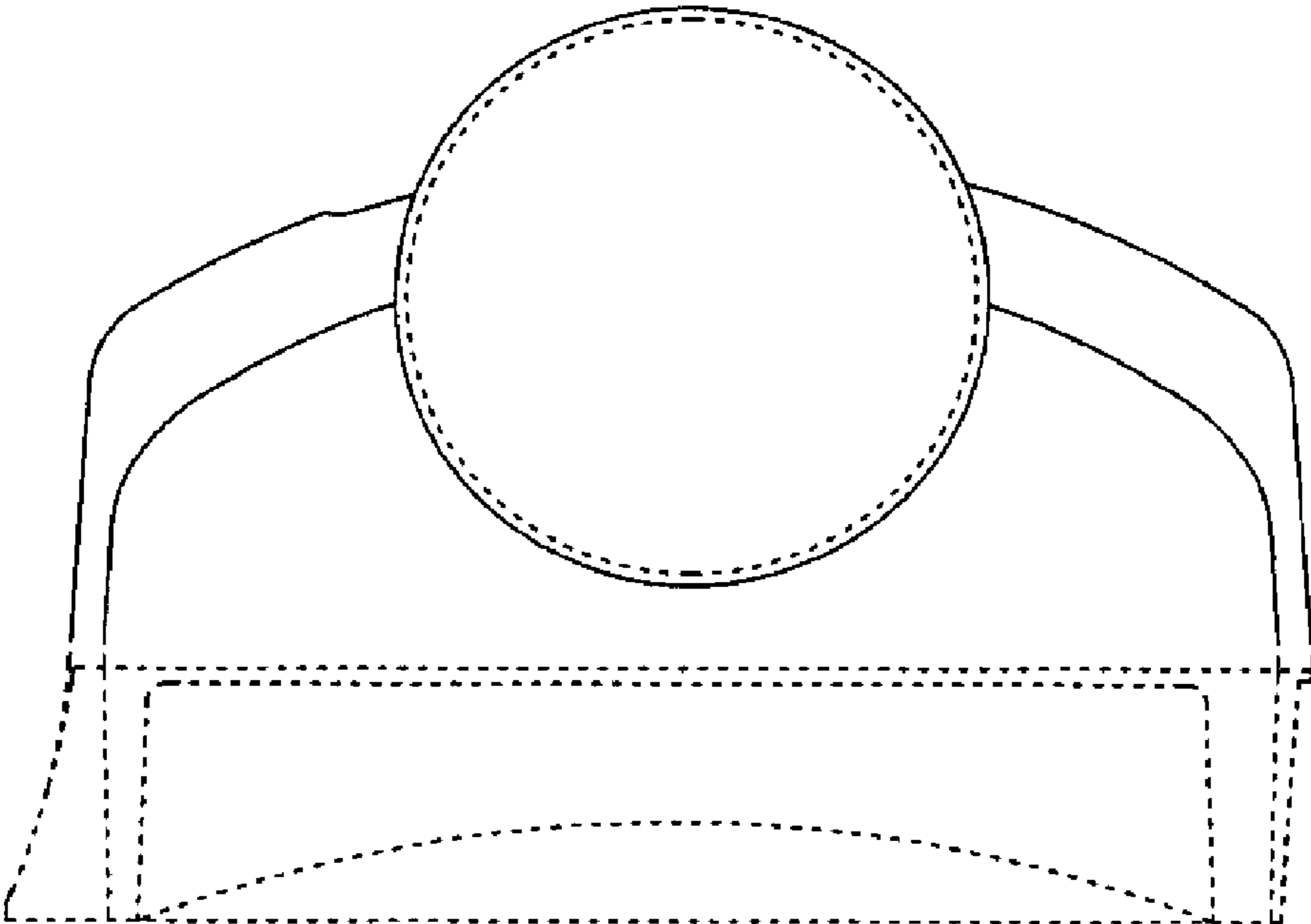
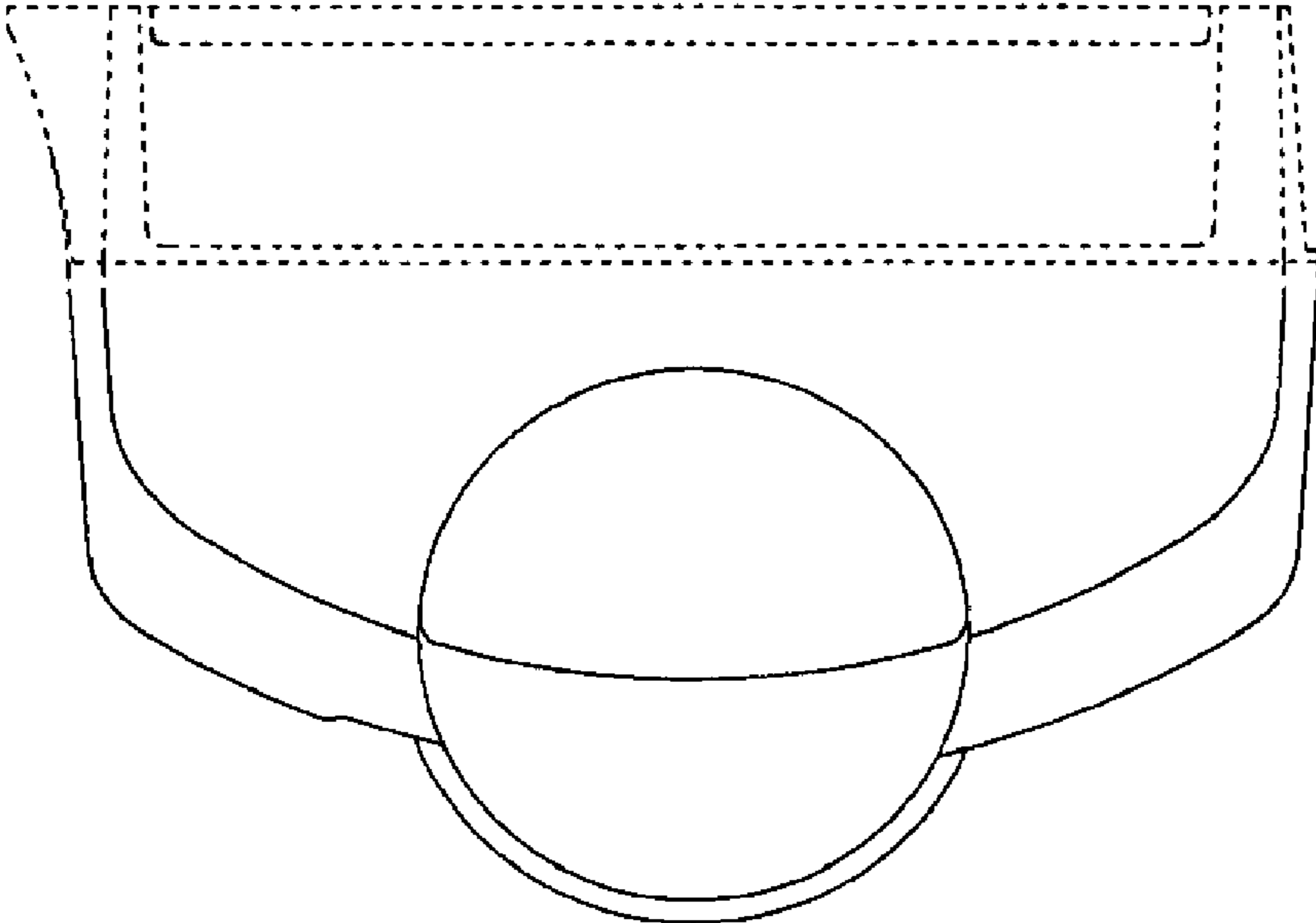
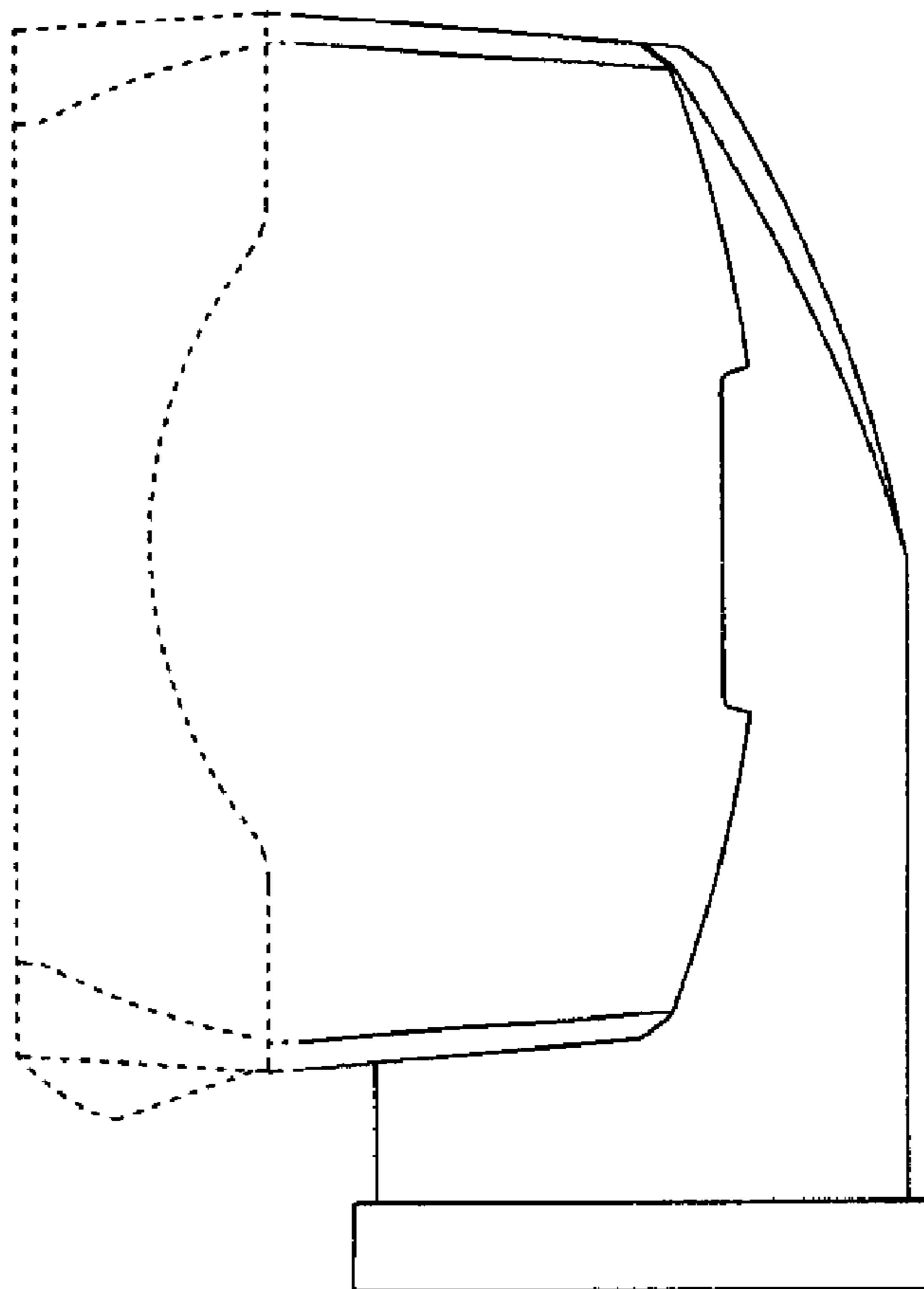


Figure 5



*Figure 6*





*Figure 7*

