



US00D631144S

(12) **United States Design Patent**  
**Tsuji**

(10) **Patent No.:** **US D631,144 S**  
(45) **Date of Patent:** **\*\* Jan. 18, 2011**

(54) **AIR CONDITIONER**

(75) Inventor: **Kaichi Tsuji**, Kusatsu (JP)

(73) Assignee: **Daikin Industries Ltd.**, Osaka-Shi,  
Osaka (JP)

(\*\*) Term: **14 Years**

(21) Appl. No.: **29/347,446**

(22) Filed: **Jan. 14, 2010**

(30) **Foreign Application Priority Data**

Nov. 27, 2009 (JP) ..... 2009-027619

(51) **LOC (9) Cl.** ..... **23-04**

(52) **U.S. Cl.** ..... **D23/351**

(58) **Field of Classification Search** ..... D23/351-354,  
D23/385, 388; 312/236; 62/259.1, 259.4,  
62/262-263, 304; 454/330-331, 349-350;  
D10/108; D13/162, 164

See application file for complete search history.

(56) **References Cited**

**U.S. PATENT DOCUMENTS**

D262,619 S \* 1/1982 Antos et al. .... D23/354  
D323,488 S \* 1/1992 Darnell et al. .... D13/162  
D355,417 S \* 2/1995 Buchholz et al. .... D13/164

D606,641 S \* 12/2009 Kim et al. .... D23/351

\* cited by examiner

*Primary Examiner*—Brian N Vinson

(74) *Attorney, Agent, or Firm*—Manabu Kanesaka

(57) **CLAIM**

The ornamental design for an air conditioner, as shown and described.

**DESCRIPTION**

FIG. 1 is a front perspective view of an air conditioner showing my new design;

FIG. 2 is a front elevational view thereof;

FIG. 3 is a rear elevational view thereof;

FIG. 4 is a top plan view thereof;

FIG. 5 is a bottom plan view thereof;

FIG. 6 is a left side elevational view thereof;

FIG. 7 is a right side elevational view thereof; and,

FIG. 8 is a generally vertical partial cross-sectional view thereof, taken along line 8—8 of FIG. 2.

The broken-line disclosure in the views is understood to represent portions of the article in which the claimed design is embodied, but which forms no part of the claimed design.

**1 Claim, 6 Drawing Sheets**

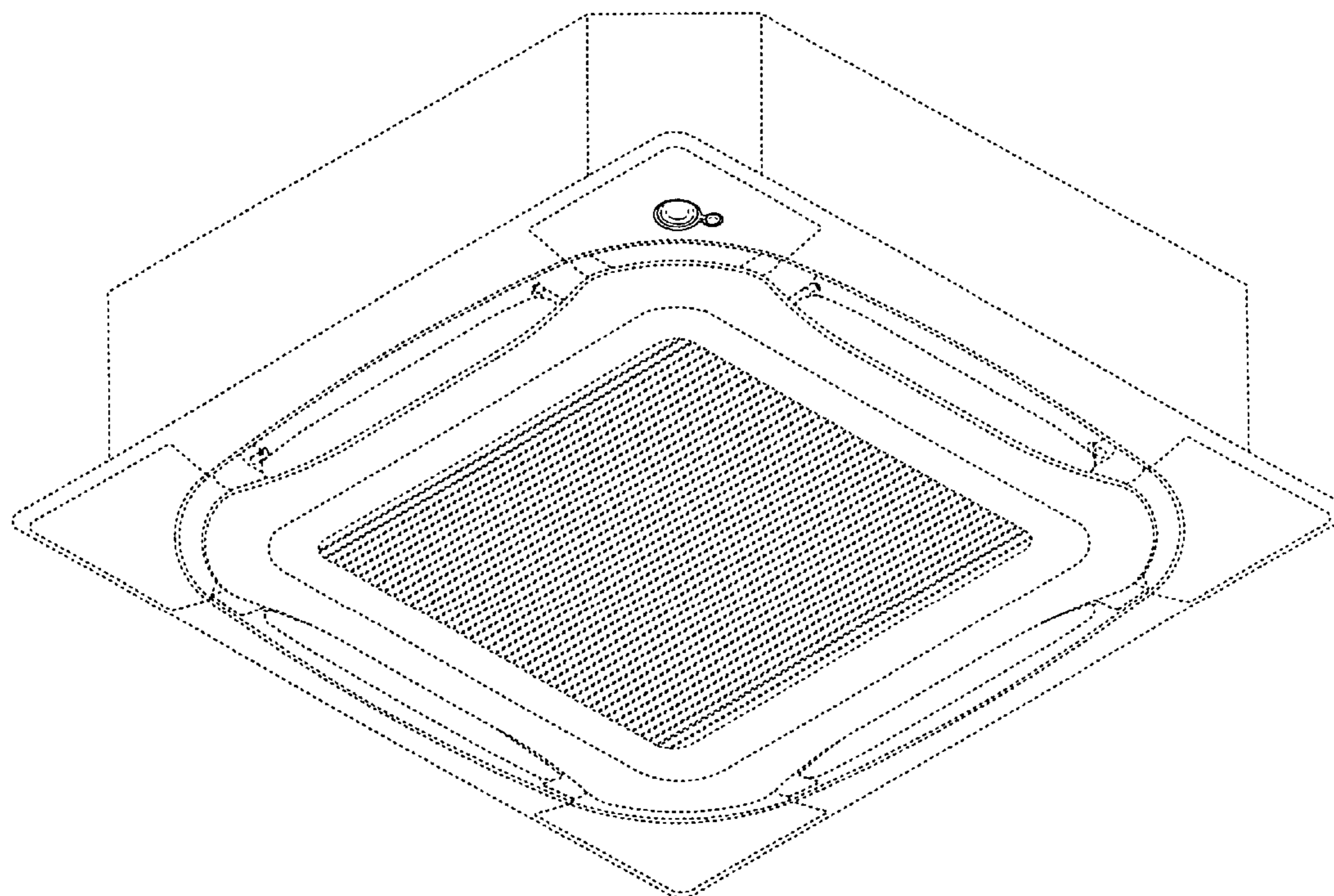


FIG.1

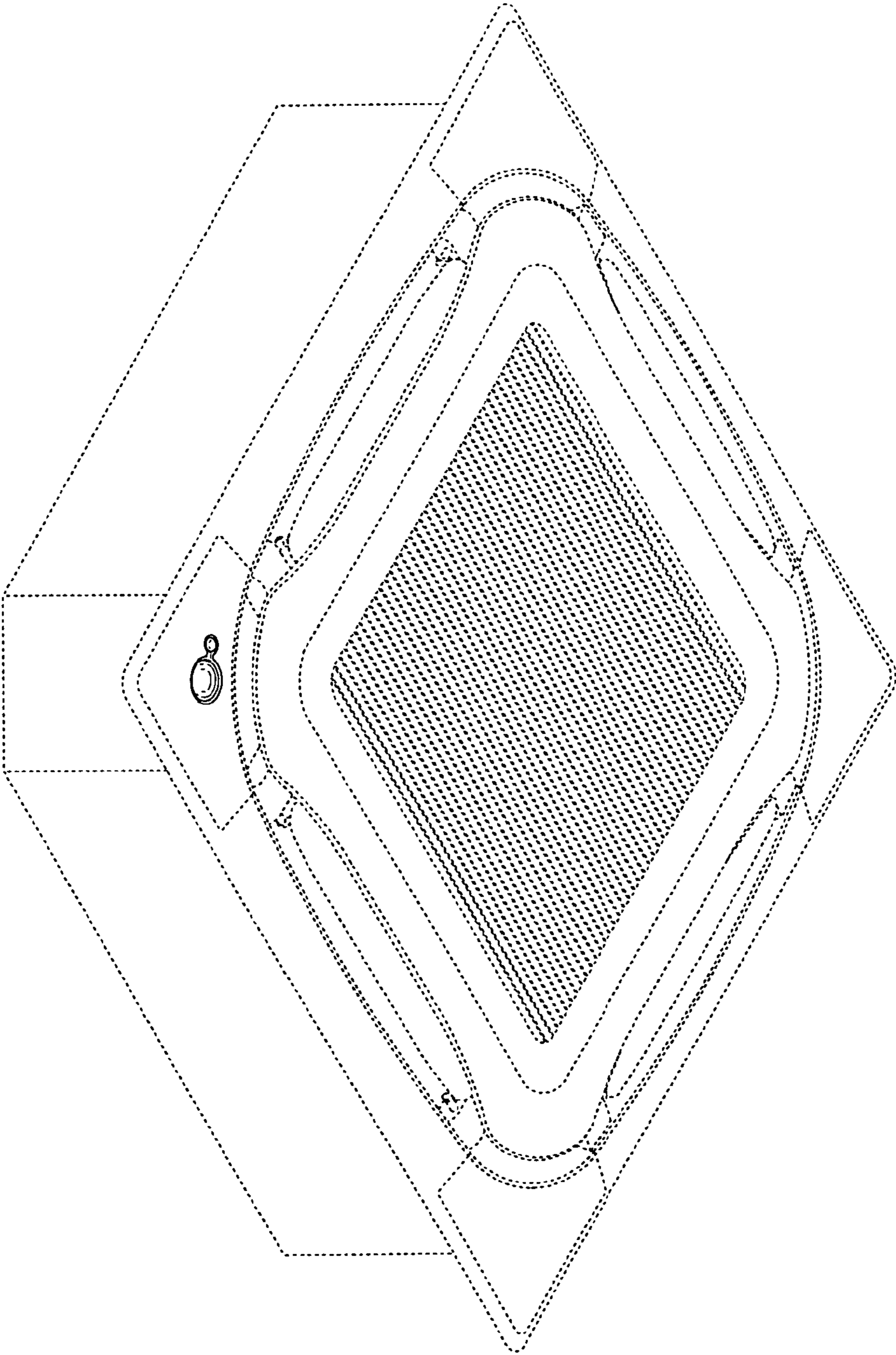


FIG.2

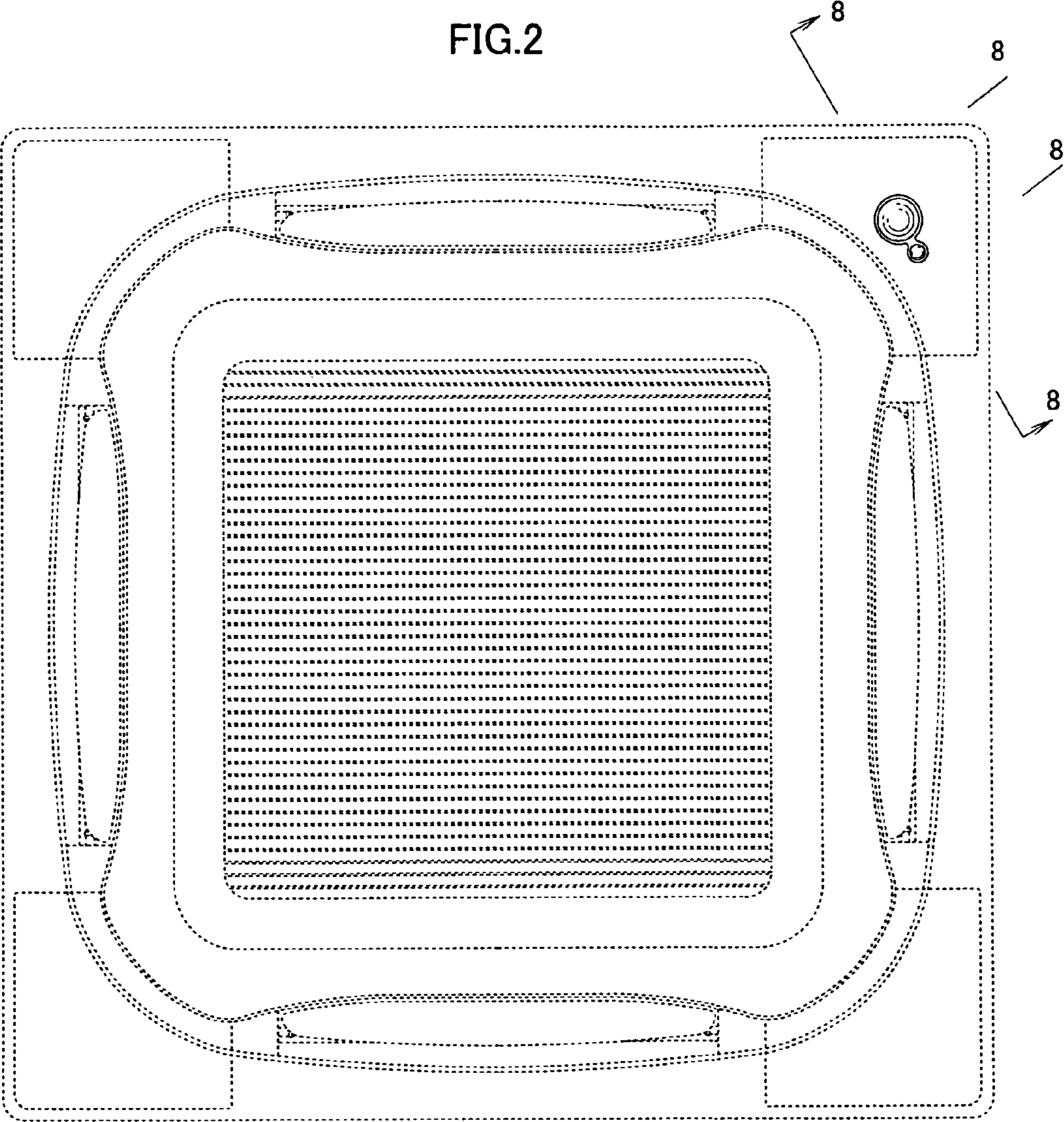


FIG.3

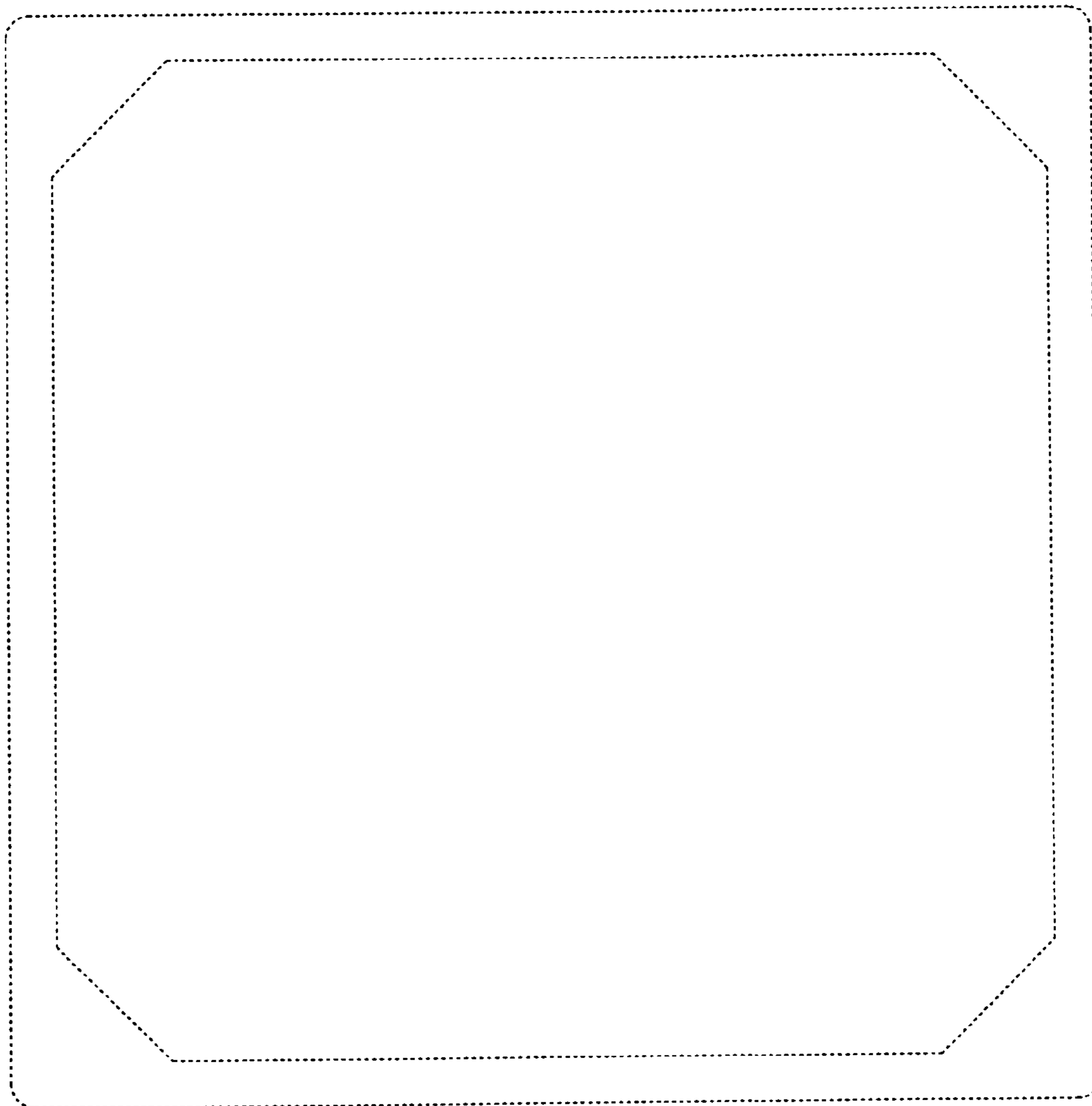


FIG.4

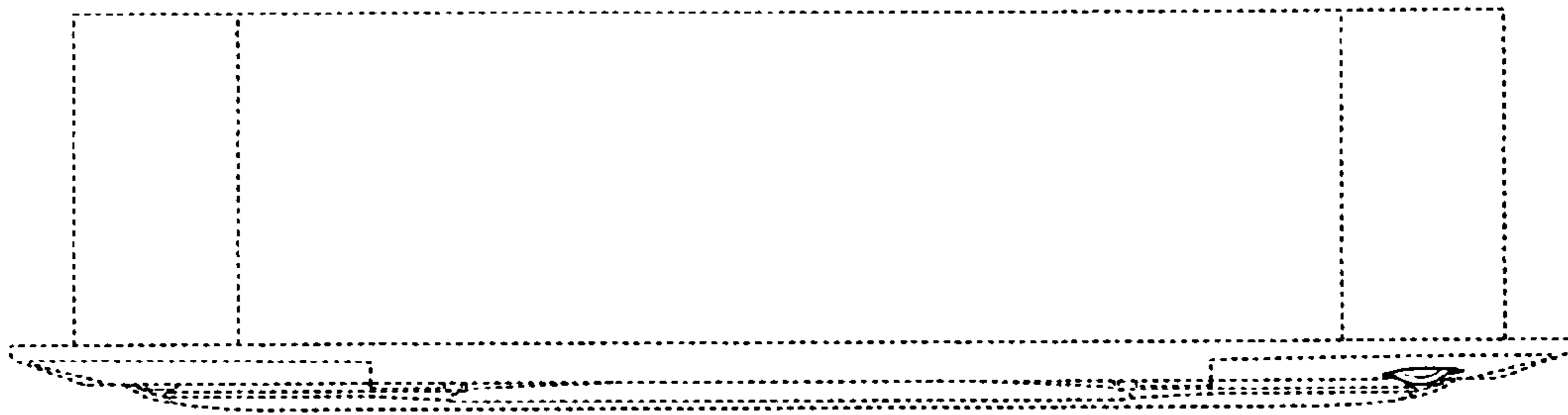


FIG.5

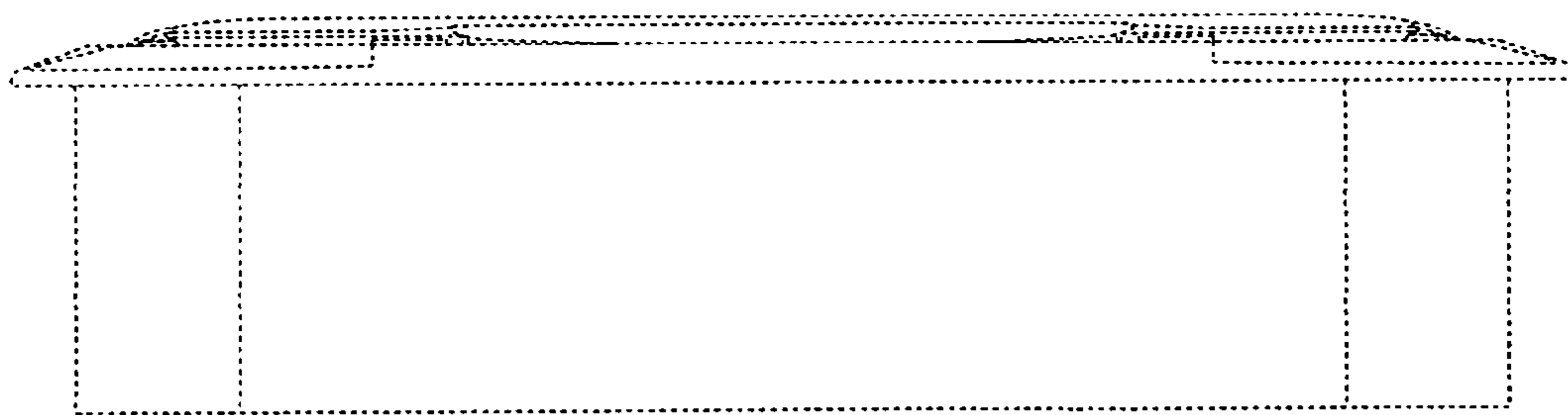


FIG.6

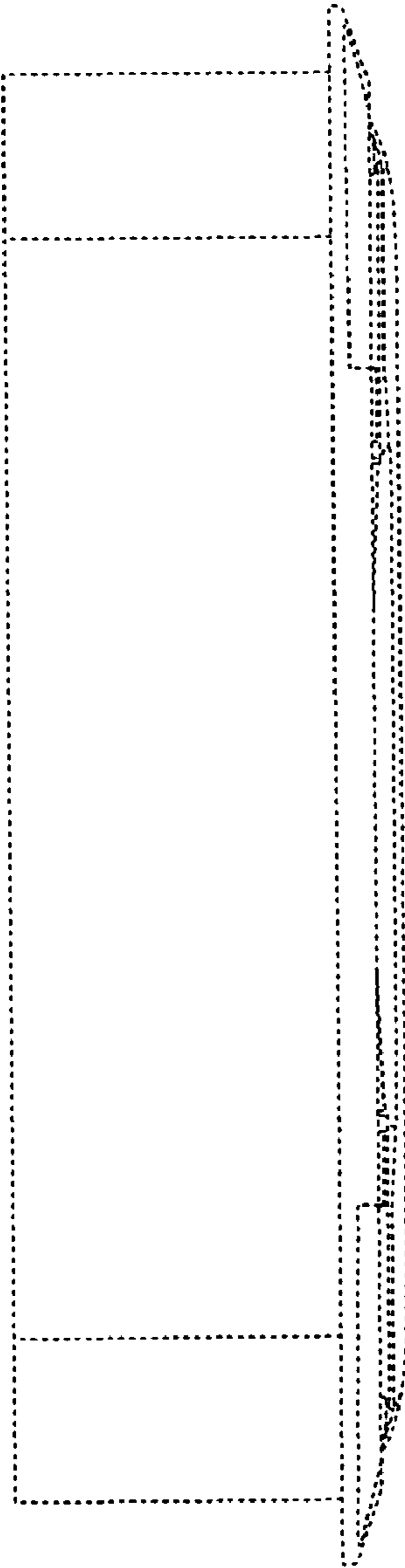


FIG.7

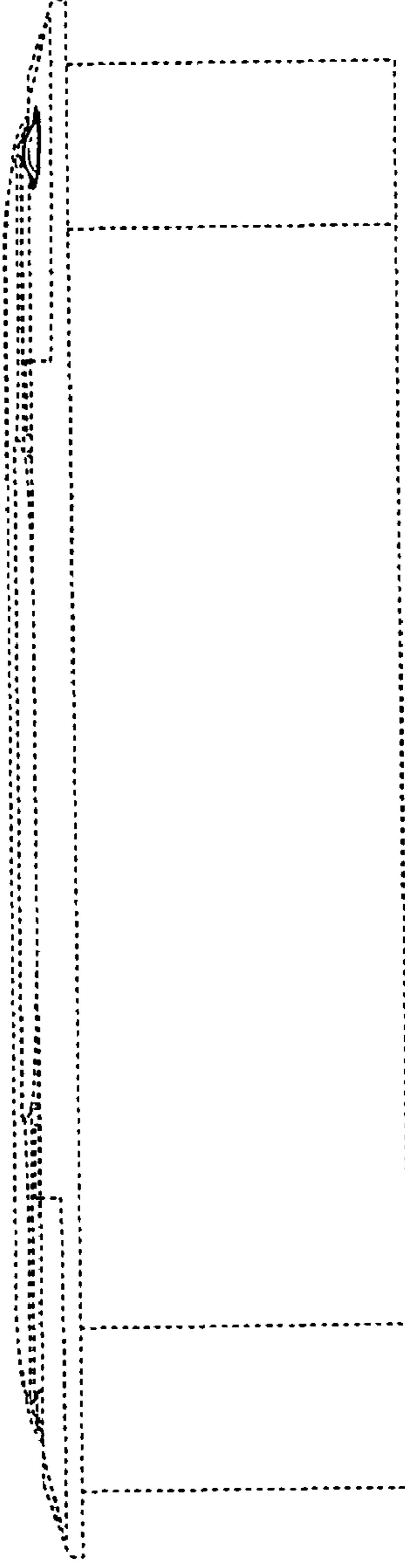


FIG.8

