



US00D631143S

(12) **United States Design Patent**  
**Thomas**

(10) **Patent No.:** **US D631,143 S**

(45) **Date of Patent:** **\*\* \*Jan. 18, 2011**

(54) **SINK**

D598,082 S \* 8/2009 Booth ..... D23/284  
D602,133 S \* 10/2009 Soulier ..... D23/284

(75) Inventor: **Carter J. Thomas**, Branchburg, NJ (US)

\* cited by examiner

(73) Assignee: **AS IP Holdco, L.L.C.**, Piscataway, NJ (US)

*Primary Examiner*—Robert A Delehanty  
(74) *Attorney, Agent, or Firm*—Flaster/Greenberg, P.C.

(\* ) Notice: This patent is subject to a terminal disclaimer.

(57) **CLAIM**

(\*\*) Term: **14 Years**

The ornamental design for a sink, as shown and described.

(21) Appl. No.: **29/358,667**

**DESCRIPTION**

(22) Filed: **Mar. 30, 2010**

FIG. 1 is a perspective view of a sink;  
FIG. 2 is a top plan view of the sink of FIG. 1;  
FIG. 3 is a front view of the sink of FIG. 1;  
FIG. 4 is a bottom view of the sink of FIG. 1;  
FIG. 5 is a rear view of the sink of FIG. 1;  
FIG. 6 is a right side view of the sink of FIG. 1; and,  
FIG. 7 is a left side view of the sink of FIG. 1.

(51) **LOC (9) Cl.** ..... **23-02**

(52) **U.S. Cl.** ..... **D23/284**

(58) **Field of Classification Search** ..... D23/284,  
D23/292, 308, 293.1; 4/619, 646  
See application file for complete search history.

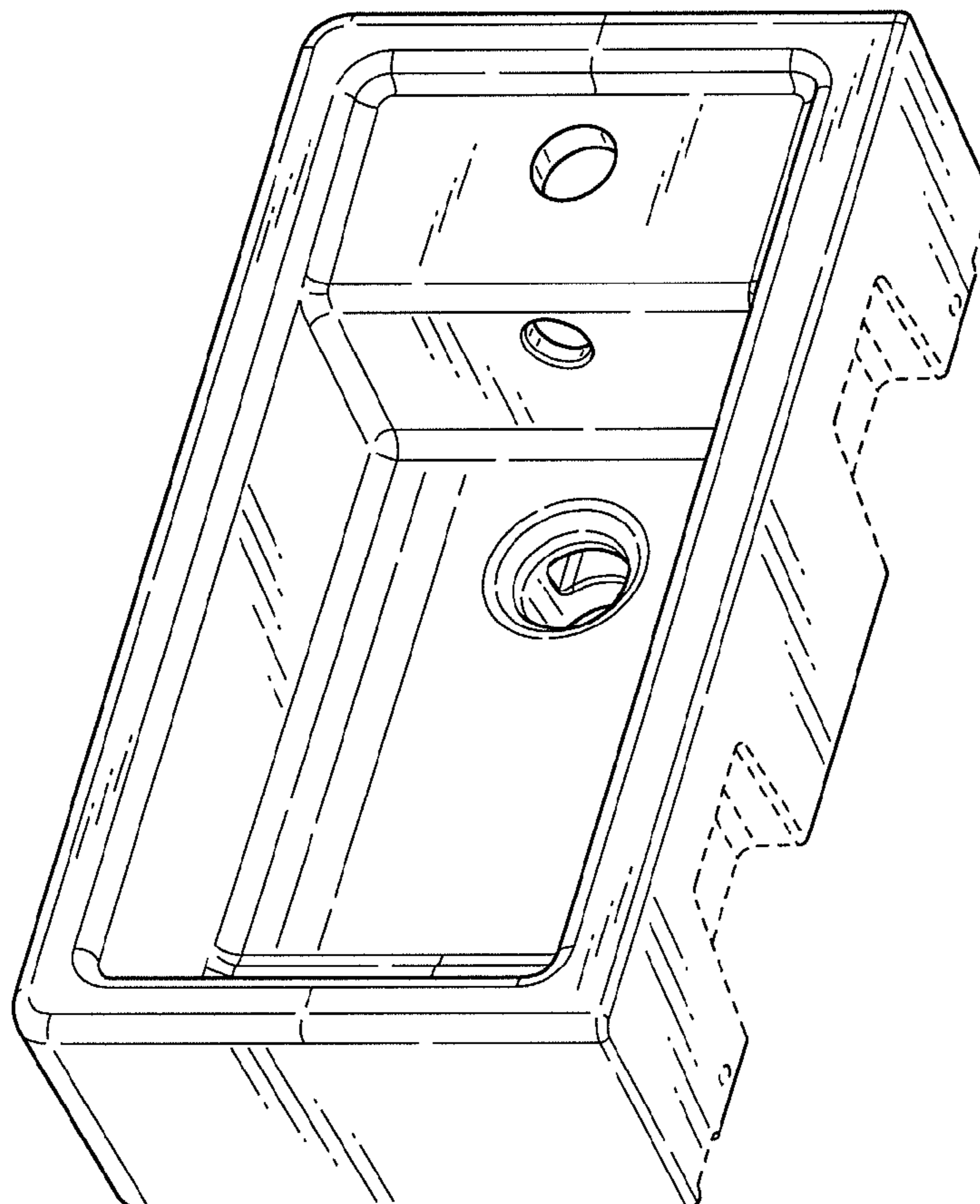
The broken lines showing of rear and bottom portions are included for the purpose of illustrating a portion of the sink that forms no part of the claimed design.

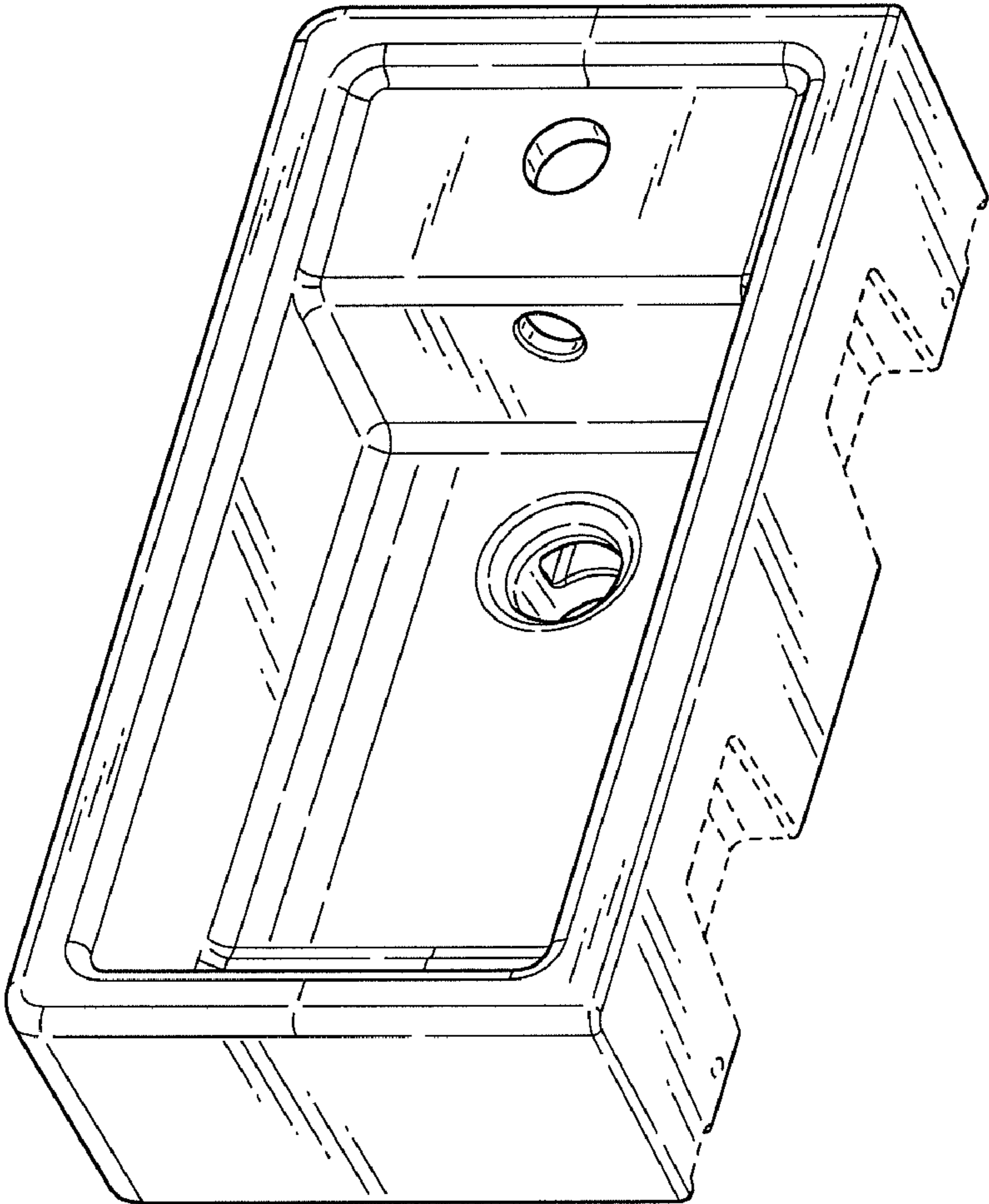
(56) **References Cited**

**U.S. PATENT DOCUMENTS**

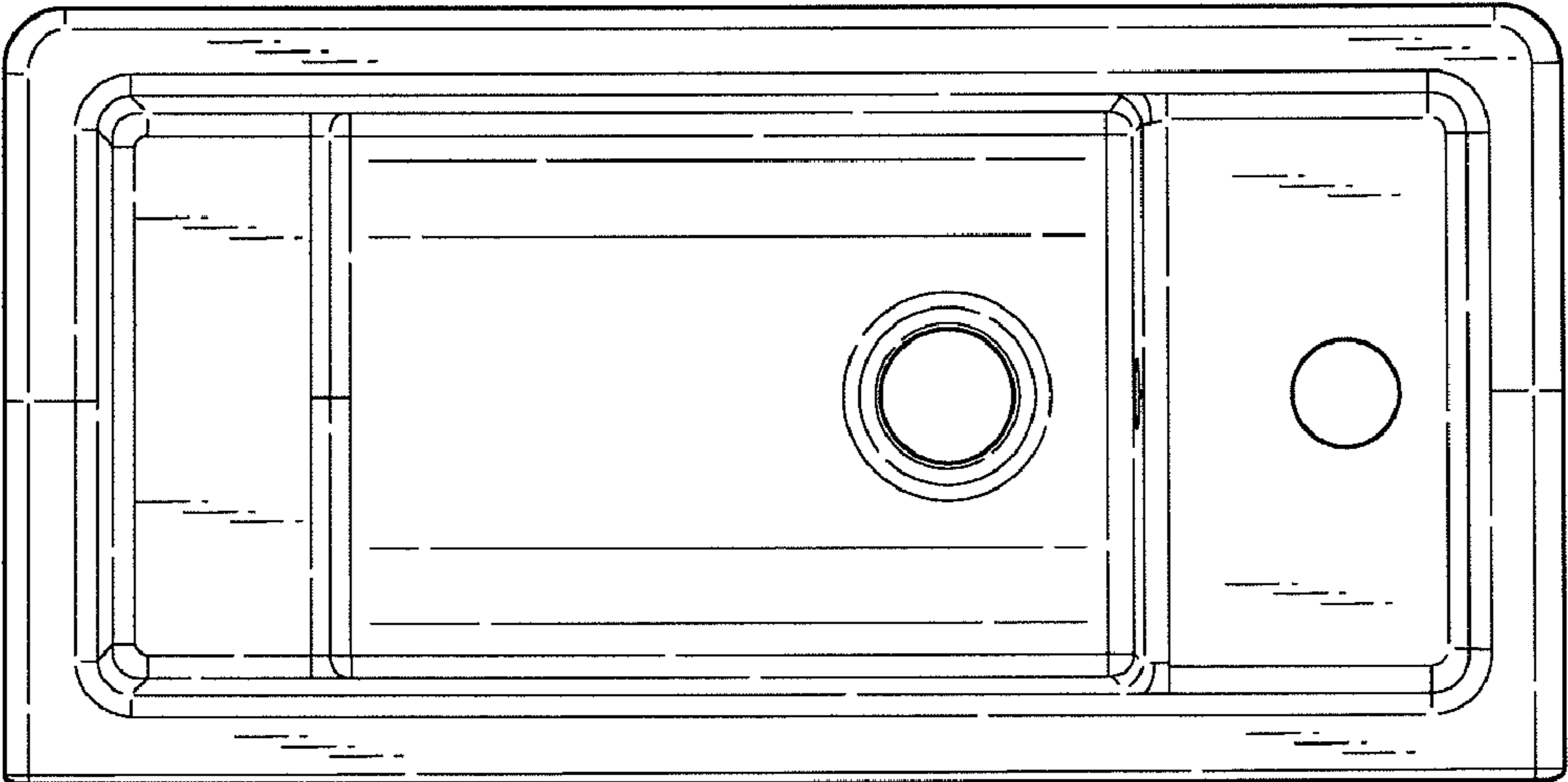
D463,538 S \* 9/2002 Chipperfield ..... D23/284  
D575,379 S \* 8/2008 Ziemann et al. .... D23/284

**1 Claim, 3 Drawing Sheets**

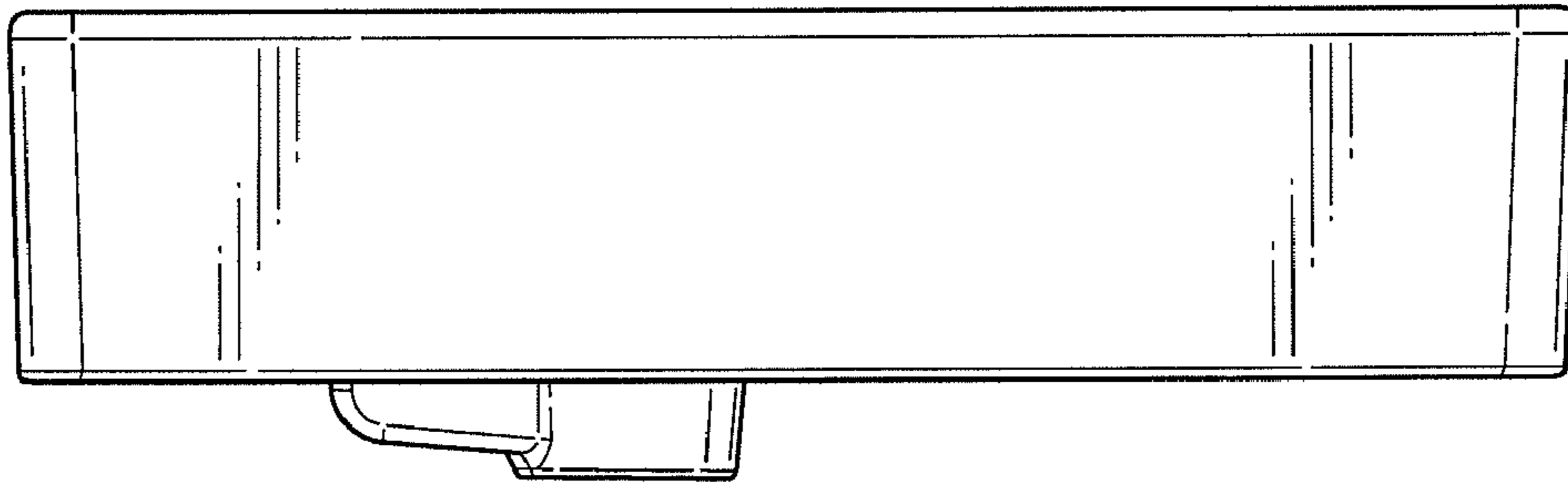




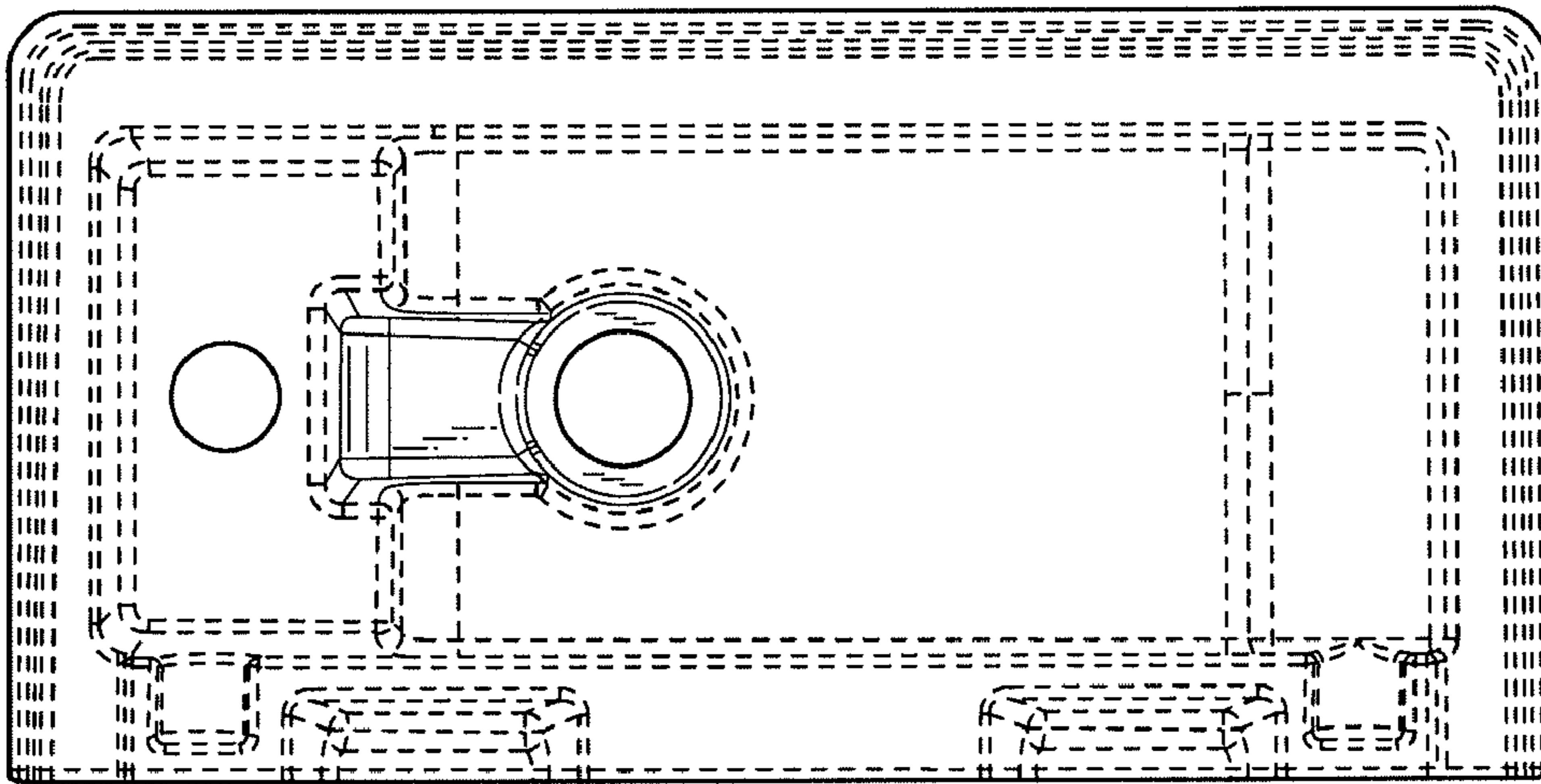
**FIG. 1**



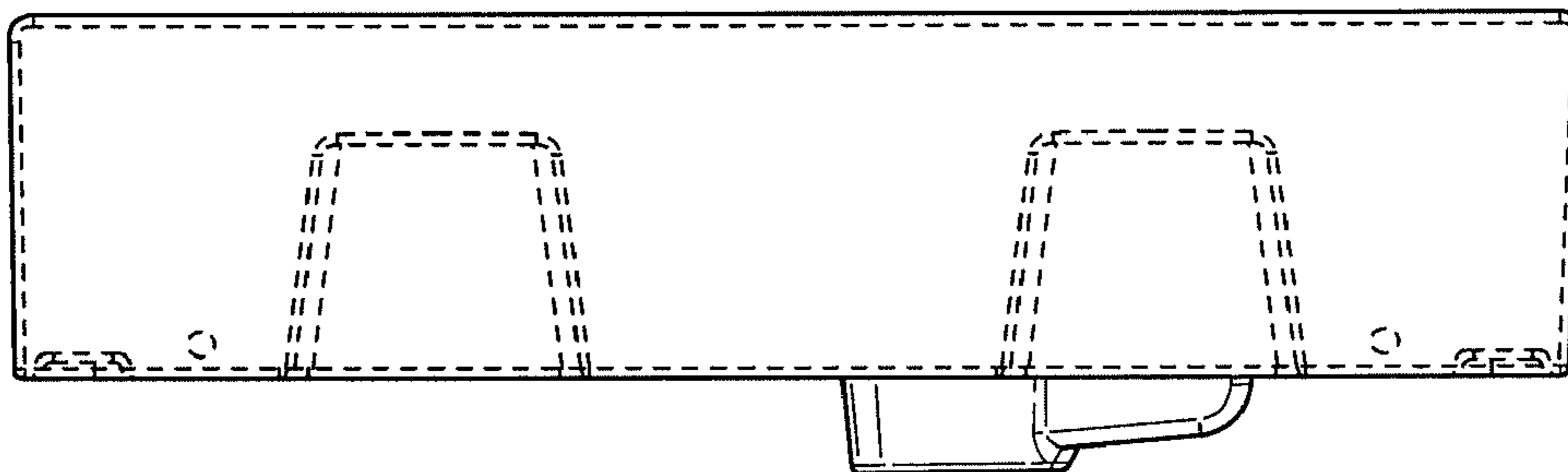
**FIG. 2**



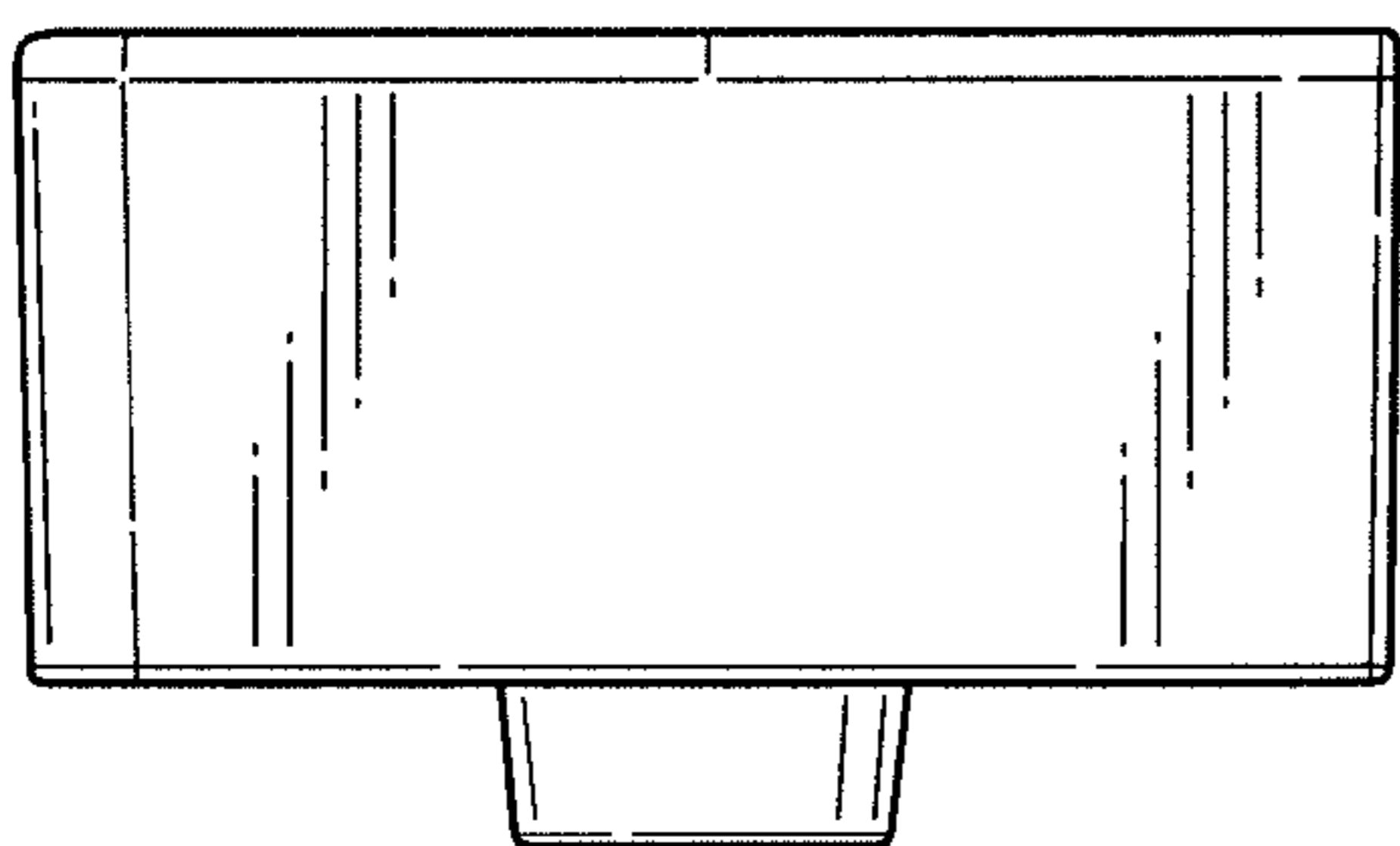
*FIG. 3*



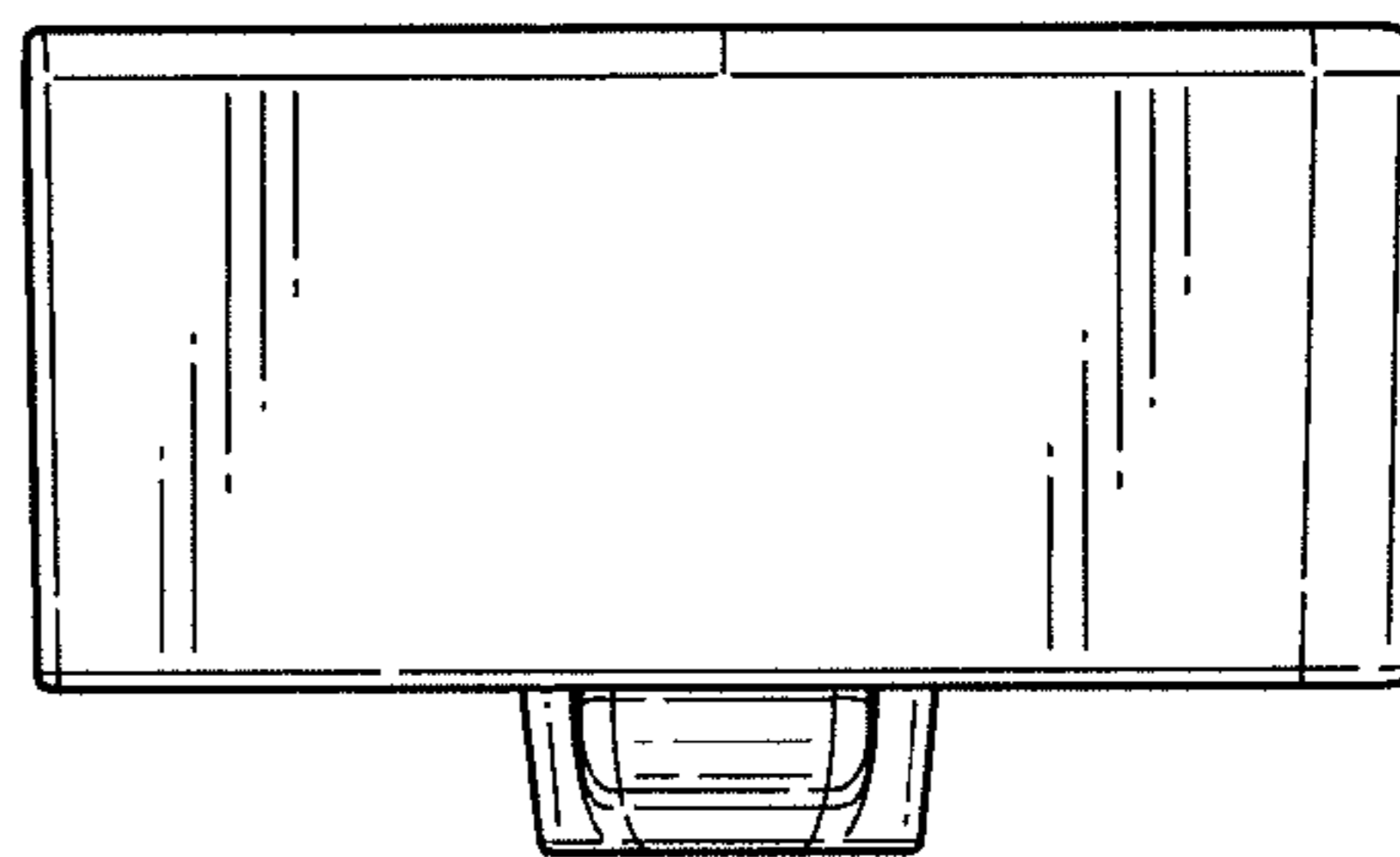
*FIG. 4*



*FIG. 5*



*FIG. 6*



*FIG. 7*