



US00D631142S

(12) **United States Design Patent**
Angell

(10) **Patent No.:** **US D631,142 S**

(45) **Date of Patent:** **** Jan. 18, 2011**

(54) **INNER PACKING ELEMENT FOR A HIGH PRESSURE SEAL**

(75) Inventor: **Trevor Angell**, Wichita, KS (US)

(73) Assignee: **KMT Waterjet Systems Inc.**, Baxter Springs, KS (US)

(**) Term: **14 Years**

(21) Appl. No.: **29/332,234**

(22) Filed: **Feb. 11, 2009**

(51) **LOC (9) Cl.** **23-01**

(52) **U.S. Cl.** **D23/262**

(58) **Field of Classification Search** D23/259–269;
285/95, 231–232; 277/910

See application file for complete search history.

(56) **References Cited**

U.S. PATENT DOCUMENTS

1,798,246	A *	3/1931	Braner	277/598
2,052,046	A *	8/1936	Lambie	285/5
2,124,095	A *	7/1938	Wheeler	156/194
2,220,984	A *	11/1940	Wiessner	277/380
2,240,780	A *	5/1941	Hunter	92/242
2,438,457	A *	3/1948	Schlosser	277/393
4,173,881	A *	11/1979	Rose	72/245
D292,308	S *	10/1987	Beltran	D23/269
5,020,809	A *	6/1991	Mullaney	277/370
D346,433	S *	4/1994	Cooper	D23/259
5,344,164	A *	9/1994	Carmody et al.	277/371
D364,431	S *	11/1995	Diecidue et al.	D21/444
D367,316	S *	2/1996	Sonden et al.	D23/262
D372,765	S *	8/1996	Sisk	D23/269
D385,017	S *	10/1997	Daroff	D23/261
D435,090	S *	12/2000	Stout, Jr.	D23/269
D447,223	S *	8/2001	Mattsson et al.	D23/269
6,290,240	B1 *	9/2001	Knapp	277/651

D449,873	S *	10/2001	Bronson	D23/261
D513,072	S *	12/2005	Berg	D23/386
D515,675	S *	2/2006	Tremoulet et al.	D23/269
D539,117	S *	3/2007	Sealey et al.	D8/349
D561,877	S *	2/2008	Hopkins et al.	D23/263
D595,835	S *	7/2009	Fu	D23/411
2006/0082072	A1 *	4/2006	Henry	277/602
2008/0267709	A1 *	10/2008	Terry	405/43

* cited by examiner

Primary Examiner—T. Chase Nelson

Assistant Examiner—Eric L Goodman

(74) *Attorney, Agent, or Firm*—Michael Best & Friedrich LLP

(57) **CLAIM**

We claim the ornamental design for the inner packing element for a high pressure seal, as shown and described.

DESCRIPTION

FIG. 1 is a perspective view of an inner packing element for a high pressure seal embodying the invention;

FIG. 2 is a top view of the inner packing element for a high pressure seal of FIG. 1;

FIG. 3 is a bottom view of the inner packing element for a high pressure seal of FIG. 1;

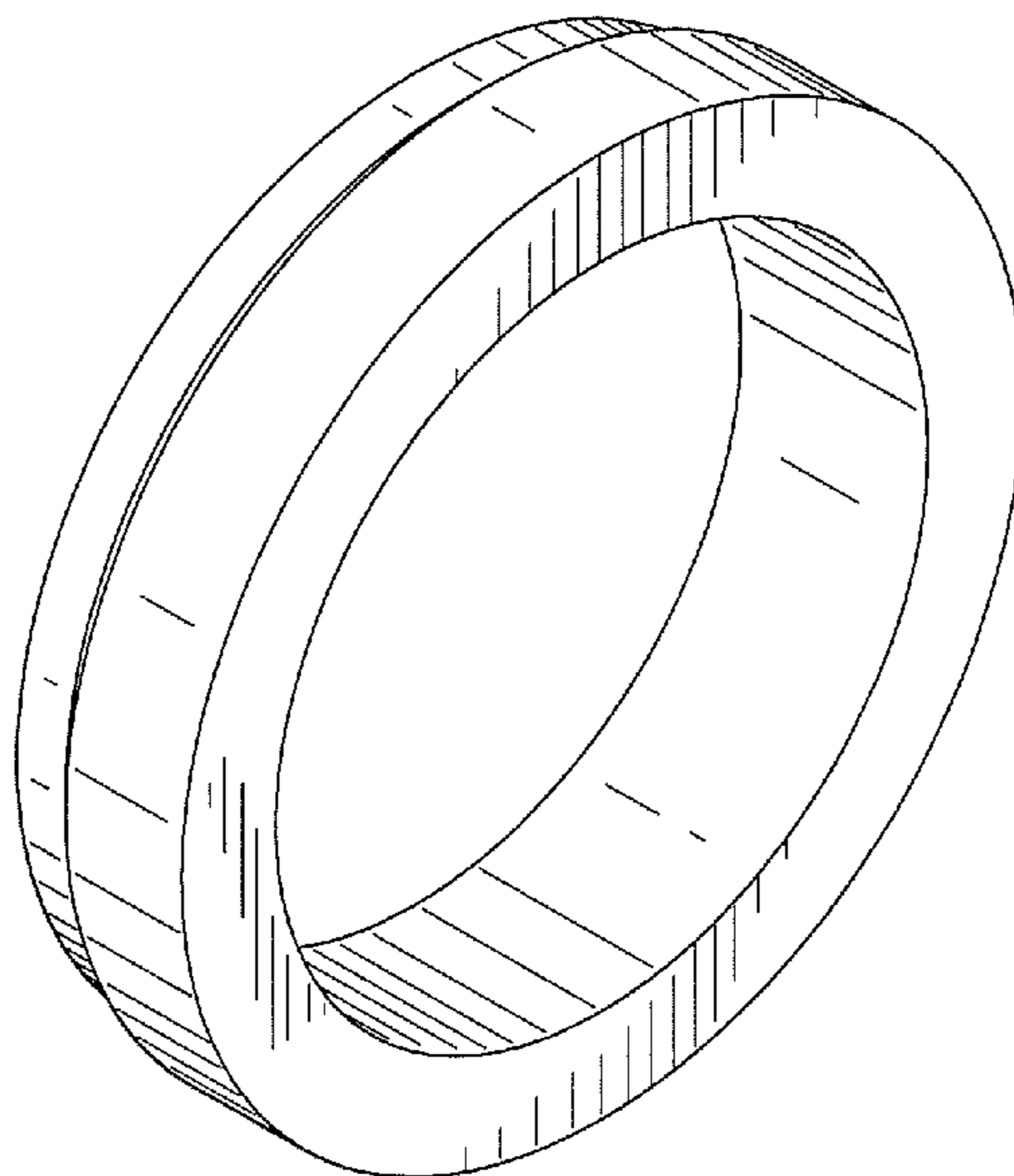
FIG. 4 is a left side view of the inner packing element for a high pressure seal of FIG. 1;

FIG. 5 is a right side view of the inner packing element for a high pressure seal of FIG. 1;

FIG. 6 is a rear view of the inner packing element for a high pressure seal of FIG. 1; and,

FIG. 7 is a front view of the inner packing element for a high pressure seal of FIG. 1.

1 Claim, 3 Drawing Sheets



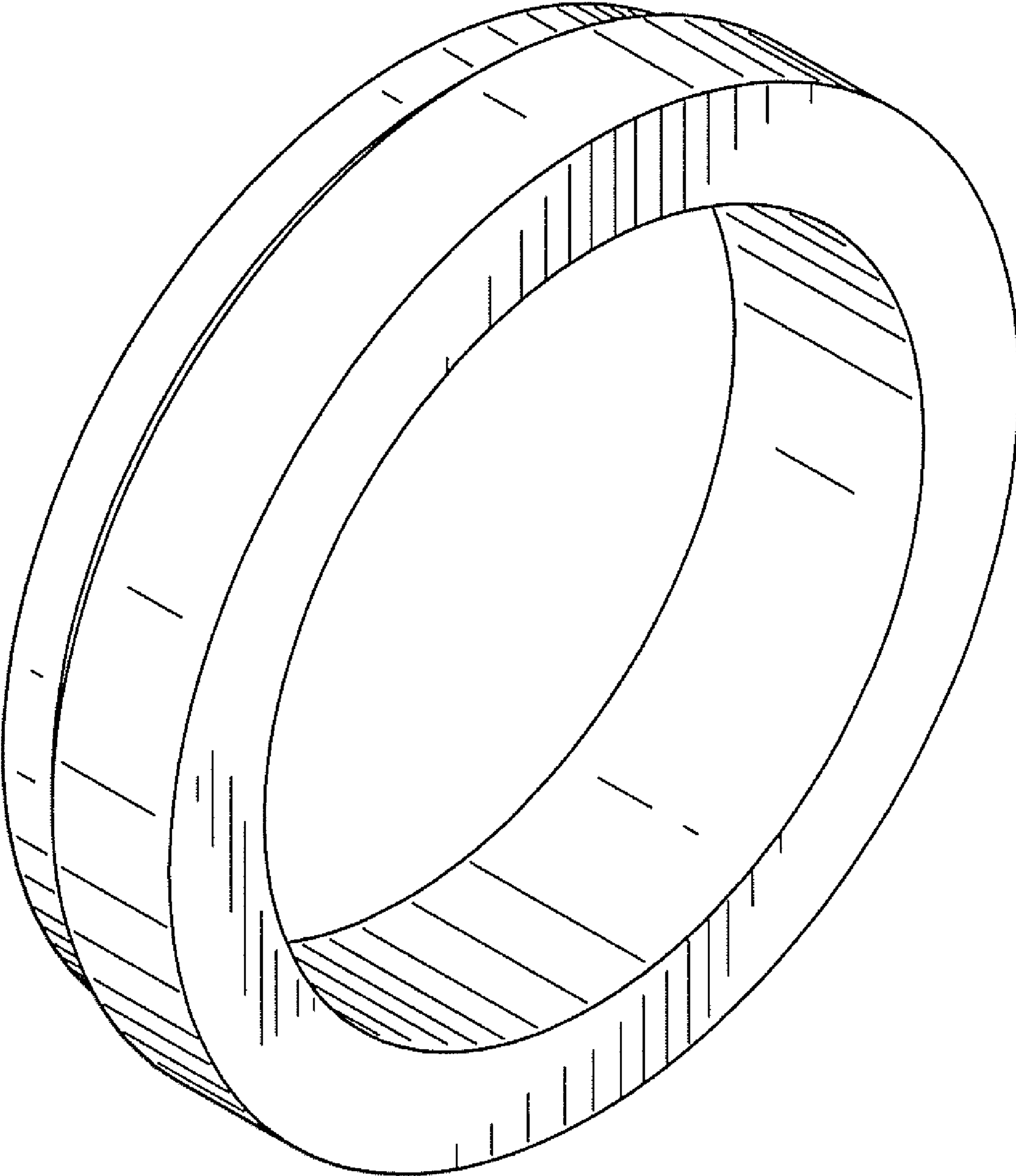


FIG. 1

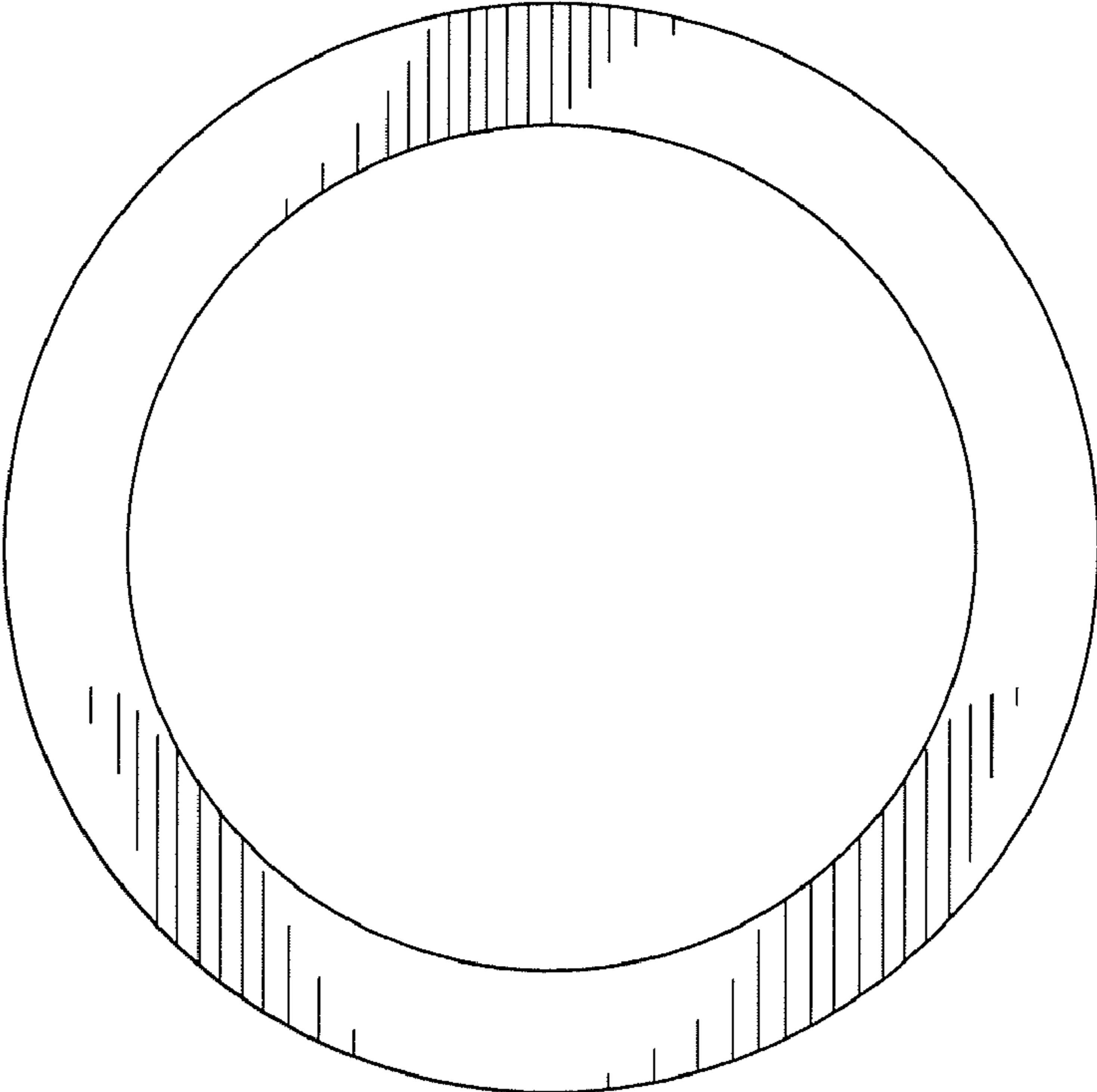


FIG. 2

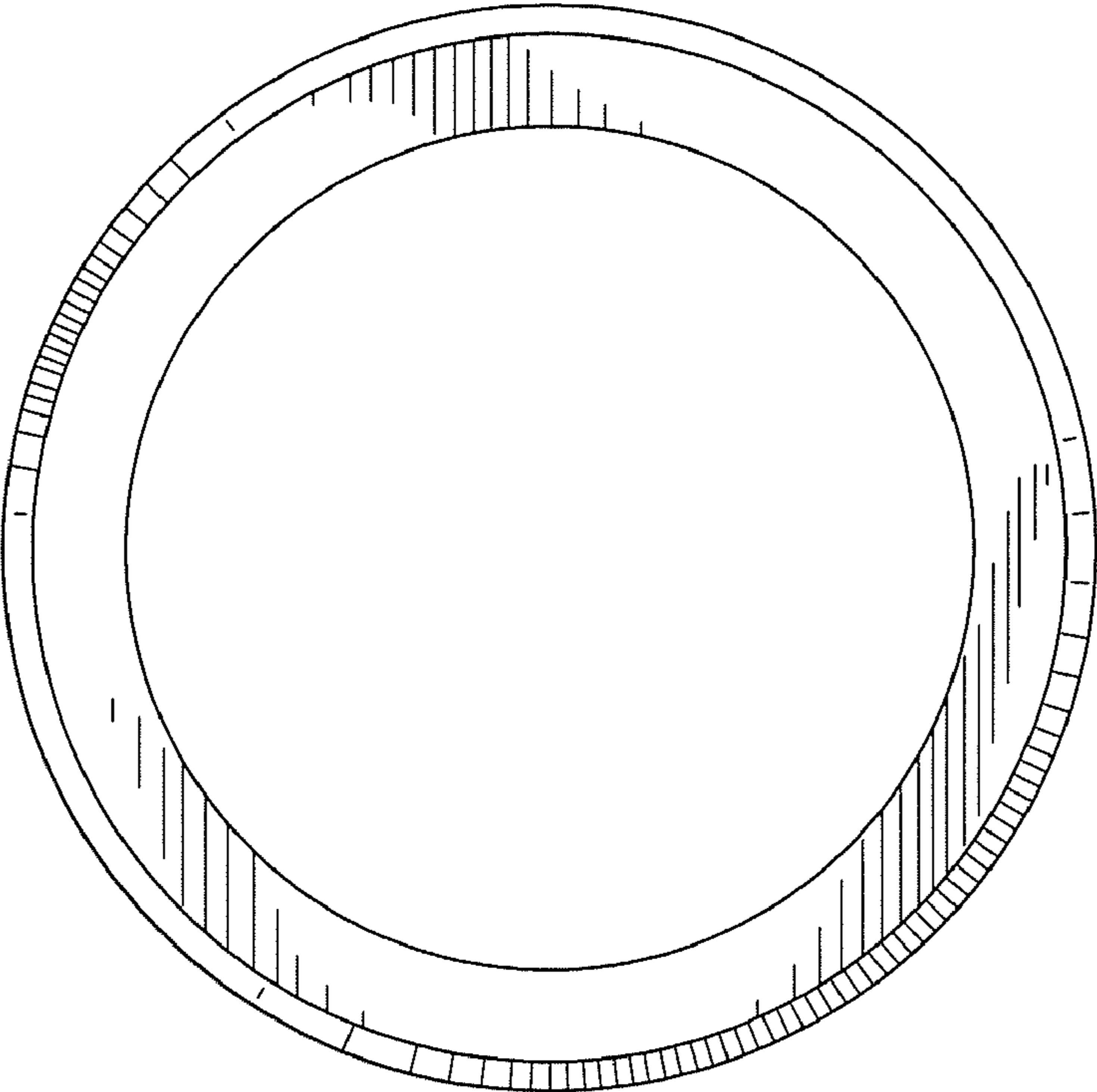


FIG. 3

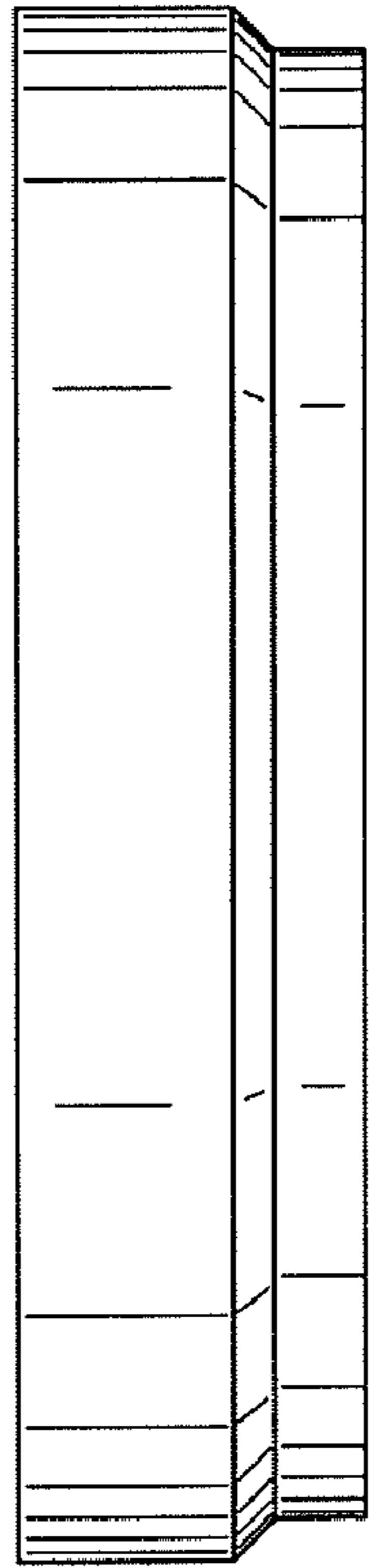


FIG. 4

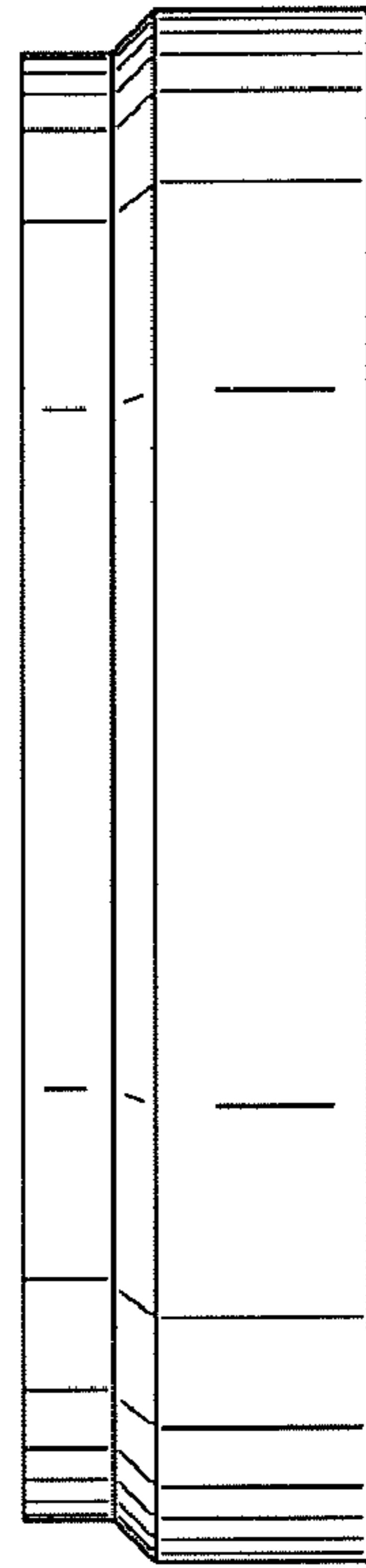


FIG. 5

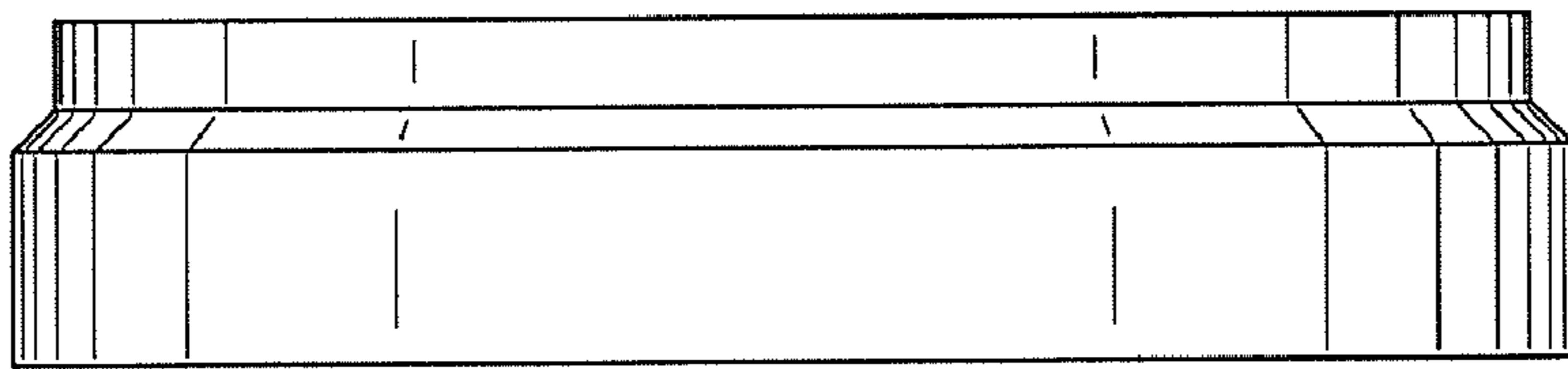


FIG. 6

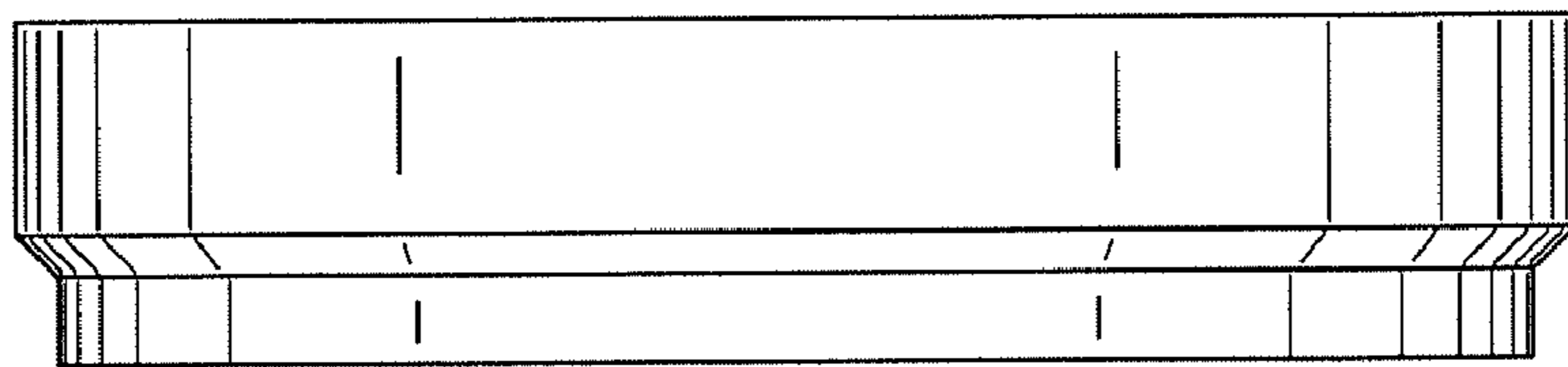


FIG. 7